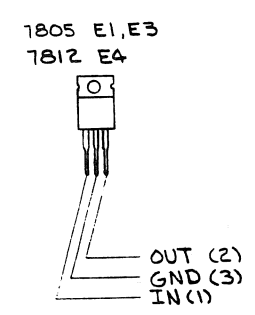
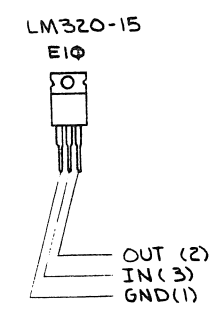
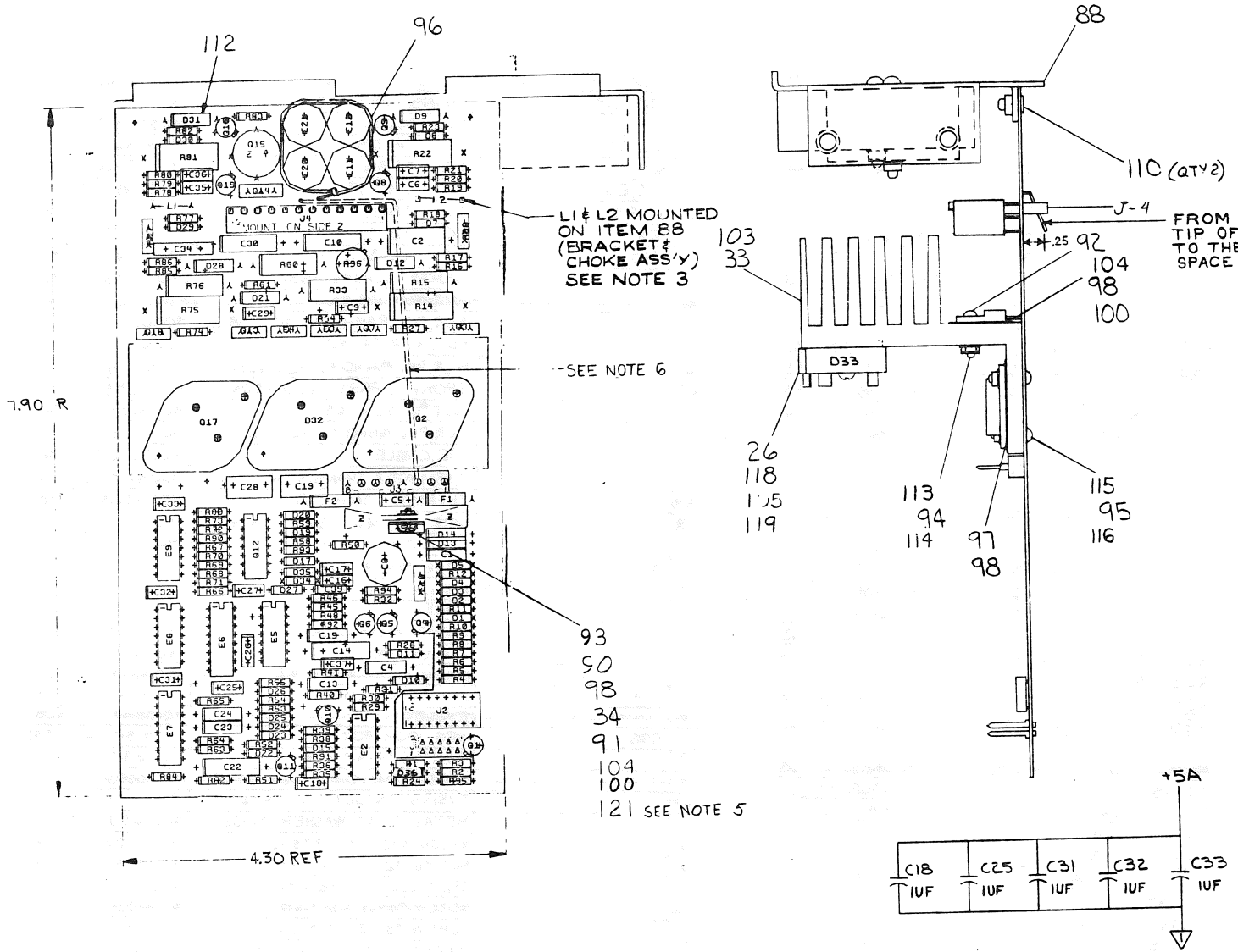


"THIS DRAWING AND SPECIFICATIONS HEREIN ARE THE PROPERTY OF DIGITAL EQUIPMENT CORPORATION AND SHALL NOT BE REPRODUCED OR COPIED OR USED IN WHOLE OR IN PART AS THE BASIS FOR THE MANUFACTURE OR SALE OF ITEMS WITHOUT WRITTEN PERMISSION OF DIGITAL EQUIPMENT CORPORATION"

- NOTES:**
- UNLESS OTHERWISE SPECIFIED ALL RESISTORS ARE 1/4W ±5%.
 - COMPONENTS SHOWN INSIDE DASHED LINES ARE EXTERNAL TO THE PC BOARD.

- NOTES:**
- TIN LEADS ON L1 & L2 AFTER STRIPPING
 - PARTS IN THE ALTERNATE PARTS LIST ON SHEET 2 MAY BE USED IN PLACE OF THE PRIME PART WHEN NECESSARY.
 - USE ADHESIVE 49-01230 TO SECURE HEAT SINK (SIDE 2) AND ECO WIRES.
 - SOLDER A 4 1/2" LENGTH #14 AWG INSULATED STRANDED WIRE TO THE GROUND CLAD ADJACENT TO J4 FINS G-1C AND TERMINATE ON J3 PIN 3 ON SIDE 2. STRIP WIRE APPROX. 1/4" BACK FROM BOTH ENDS. TIN LEADS BEFORE MOUNTING.



LM339 E5	12	3	
LM339 E2	3	12	
IC TYPE	GND	+5V	-15V +28V

GND AND 5V ARE USUALLY PIN 7 AND 14 RESPECTIVELY EXCEPTIONS ARE STATED ABOVE

IC PIN LOCATIONS

REV.	CHANGE NO.	DESCRIPTION
B	5911776-00001	...
C	5911776-00002	...
D	5911776-00003	...
E	5911776-00004	...
F	5911776-00005	...
G	5911776-00006	...
H	5911776-00006	...
I	5911776-00007	...
J	5911776-00007	...
K	5911776-00008	...
L	5911776-00008	...
M	5911776-00009	...
N	5911776-00010	...
O	5911776-00011	...
P	5911776-00012	...
Q	5911776-00013	...
R	5911776-00014	...
S	5911776-00015	...
T	5911776-00016	...
U	5911776-00017	...
V	5911776-00018	...
W	5911776-00019	...
X	5911776-00020	...
Y	5911776-00021	...
Z	5911776-00022	...

QTY	REF. DESIGNATION	DESCRIPTION	PART NO.	ITEM NO.
PARTS LIST				
ETCH BOARD REV. C				
DRN. W. LUFKIN DATE 8/15/75				
CHK'D. DATE 8/22/75				
ENG. DATE				
PROJ. ENG. DATE				
PROD. DATE				
NEXT HIGHER ASSY				
D-AD-701136				
TITLE H780 POWER SUPPLY				
SIZE CODE NUMBER REV.				
D CS 5411776-0-1 K				
SCALE 1 OF 5				
SHEET 1 OF 5				

DEC NO.	EIA NO.	DEC NO.	EIA NO.

SEMICONDUCTOR CONVERSION CHART

REV. K CS 5411776-0-1

THIS DRAWING AND SPECIFICATIONS, HEREIN, ARE THE PROPERTY OF DIGITAL EQUIPMENT CORPORATION AND SHALL NOT BE REPRODUCED OR COPIED OR USED IN WHOLE OR IN PART AS THE BASIS FOR THE MANUFACTURE OR SALE OF ITEMS WITHOUT WRITTEN PERMISSION. COPYRIGHT © 1975 DIGITAL EQUIPMENT CORPORATION

PARTS LIST

QTY	REF DESIGNATION	DESCRIPTION	PART NO.	ITEM NO.
		ASSY/DRILLING HOLE LAYOUT	D-AH-541176-0-5	1
		MODULE ECO HISTORY	B-MH-541176-0-6	2
		PRINTED CIRCUIT BOARD	5011775-00	3
1	C23	CAP, 39MF 10V STA	1000064-00	4
3	C10, C22, C30	CAP, 39MF 10V STA	1000076-00	5
6	C6, C7, C26, C27, C35, C36	CAP, .01MF 50V-80-20%	1001610-00	6
1	C1	CAP, .15MF 35V STA	1002180-00	7
1	C8	CAP, 180MF 50V 672D	1012607-02	8
3	C11, C12, C21	CAP, 1200MF 6.3V 672D	1012607-01	9
				10
2	C14, C15	CAP, 6.8MF 35V STA	1005306-00	11
4	C4, C13, C24, C39	CAP, .68MF 35V STA	1009964-00	12
1	C2	CAP, .47MF	1010031-05	13
2	C9, C29	CAP, .22MF 50V	1010274-00	14
1	C20	CAP, 560MF 20V 672D	1012607-00	15
				16
6	D7, D8, D29, D30, D34, D35	DIODE, D662	1100113-00	17
5	D10, D11, D15, D17, D19, D22-D27, D20, D36	DIODE, D664	1100114-00	18
1	D9	DIODE, 1N752A	1102808-00	19
				20
1	D14	DIODE, 1N756A	1103441-00	21
1	D31	DIODE, 1N964B 13V 5% ZENER	1109988-00	22
3	D12, D28, D21	DIODE, A115F	1112594-00	23
1	D32	DIODE, NAE NSR8117	1110715-00	24
5	D1-D5	DIODE, 1N4005	1110967-00	25
1	D33	DIODE, NSS3582 RECTIFIER	1112588-00	26
1	F2	FUSE, 5A	1205070	27
1	F1	FUSE, 15A	1210929-00	28
1	J2	SOCKET, IC, DUAL IN LINE (16 PIN)	1211813-02	29
9	J1	PIN STAKING, PC BOARD	9009149-00	30
1	J3	HEADER, 8 PIN	1212619-00	31
1	J4	HEADER, RIGHT ANGLE, 12 PIN	1212204-02	32
1		HEAT SINK, COMPONENT MOUNTING	1212485-00	33
1		HEAT SINK (FOR 7805, E1)	1212531-00	34
				35
	R19	RES, 33Ω 1/4W 5% CC	1300197-00	36
2	R20, R19	RES, 47Ω 1/4W 5% CC	1300202-00	37
1	R18	RES, 100Ω 1/4W 5% CC	1300229-00	38
				39
1	R59	RES, 470Ω 1/4W 5% CC	1300316-00	40

QTY	REF DESIGNATION	DESCRIPTION	PART NUMBER	ITEM NO.
2	R21, R80	RES, 1.5KΩ 1/4W 5% CC	1300391-00	41
4	R24, R72, R73, R95	RES, 2.7KΩ 1/4W 5% CC	1300426-00	42
2	R17, R86	RES, 750Ω 1/4W 5% CC	1301401-00	43
4	R18, R63, R70, R71	RES, 4.7KΩ 1/4W 5% CC	1300447-00	44
19	R4, R7, R11, R29, R29, R33, R34, R34, R45, R46, R53, R54, R71, R53, R62, R61, R71, R92, R59	RES 10KΩ 1/4W, 5%, CC	1300479-00	45
3	R65, R64, R66	RES, 15KΩ 1/4W 5% CC	1300496-00	46
1	R38	RES, 120KΩ 1/4W 5% CC	1300539-00	47
3	R27, R36, R74	RES, 10Ω 1/4W 5% CC	1301317-00	48
3	R30, R89, R90	RES, 300Ω 1/4W 5% CC	1301425-00	49
2	R14, R75	RES, 560Ω 2W 5% CC	1301927-00	50
1	R91	RES, 270Ω 1/4W 5% CC	1301972-00	51
2	R39, R55	RES, 47KΩ 1/4W 5% CC	1302177-00	52
2	R34, R61	RES, 2KΩ 1/4W 5% CC	1302388-00	53
1	R32	RES, 8KΩ 1/4W 1% CC	1305129-00	54
2	R2, R31	RES, 200KΩ 1/4W 1% CC	1304342-00	55
7	R3, R5, R6, R8, R9, R51, R52	RES, 10KΩ 1% MF	1303312-00	56
4	R16, R23, R82, R85	RES, 1KΩ 1/4W 5% CC	1300365-00	57
3	R68, R69, R10	RES, 680Ω 1/4W 5% CC	1301424-00	58
2	R40, R93	RES, 12.1KΩ 1% MF	1303313-00	59
2	R33, R60	RES, 1Ω 2W 5% WW	1305428-00	60
1	R81	RES, .06Ω 5W 3% WW	1310876-02	61
				62
1	R83	RES, 5.1Ω 1/4W 5% CC	1309422-00	63
2	R87, R88	RES, 500Ω POT 10T	1309811-00	64
2	R15, R76	RES, 15Ω 1W	1309729-00	65
1	R22	RES, .02Ω 5W 3%	1310876-00	66
				67
	R66	RES, 6.8KΩ 1/4W 5% CC	1301423-00	68
1	Q17	TRANS, DEC 3715	1503068-00	69
1	Q14	TRANS, 2N4441	1505867-00	70
1	Q12	TRANS, 4008 QUAD CORE DRIVER	1510015-00	71
1	Q2	TRANS, 2N5302/HS	1510196-00	72
2	Q3, Q18	TRANS, D45HB	1510708-00	73
2	Q7, Q13	TRANS, D44CB	1510421-00	74
3	Q1, Q4, Q11	TRANS, MXAA05	1510705-00	75
1	Q10	TRANS, MXAA55	1510706-00	76
2	Q9, Q16	TRANS, 2N6028	1510877-00	77
1	Q15	TRANS, C32AX135	1510928-00	78
2	Q5, Q6	TRANS, E108 (2N5433)	1511686-00	79

ALTERNATE PARTS LIST

6	C6, C7, C26, C27, C35, C36	CAP, .01MF 100V +80-20%	1001610-01	6A
1	Q12	TRANS, 4011 QUAD CORE DRIVER	1511102-00	71A
1	F2	FUSE, 5A	1205747-00	27A

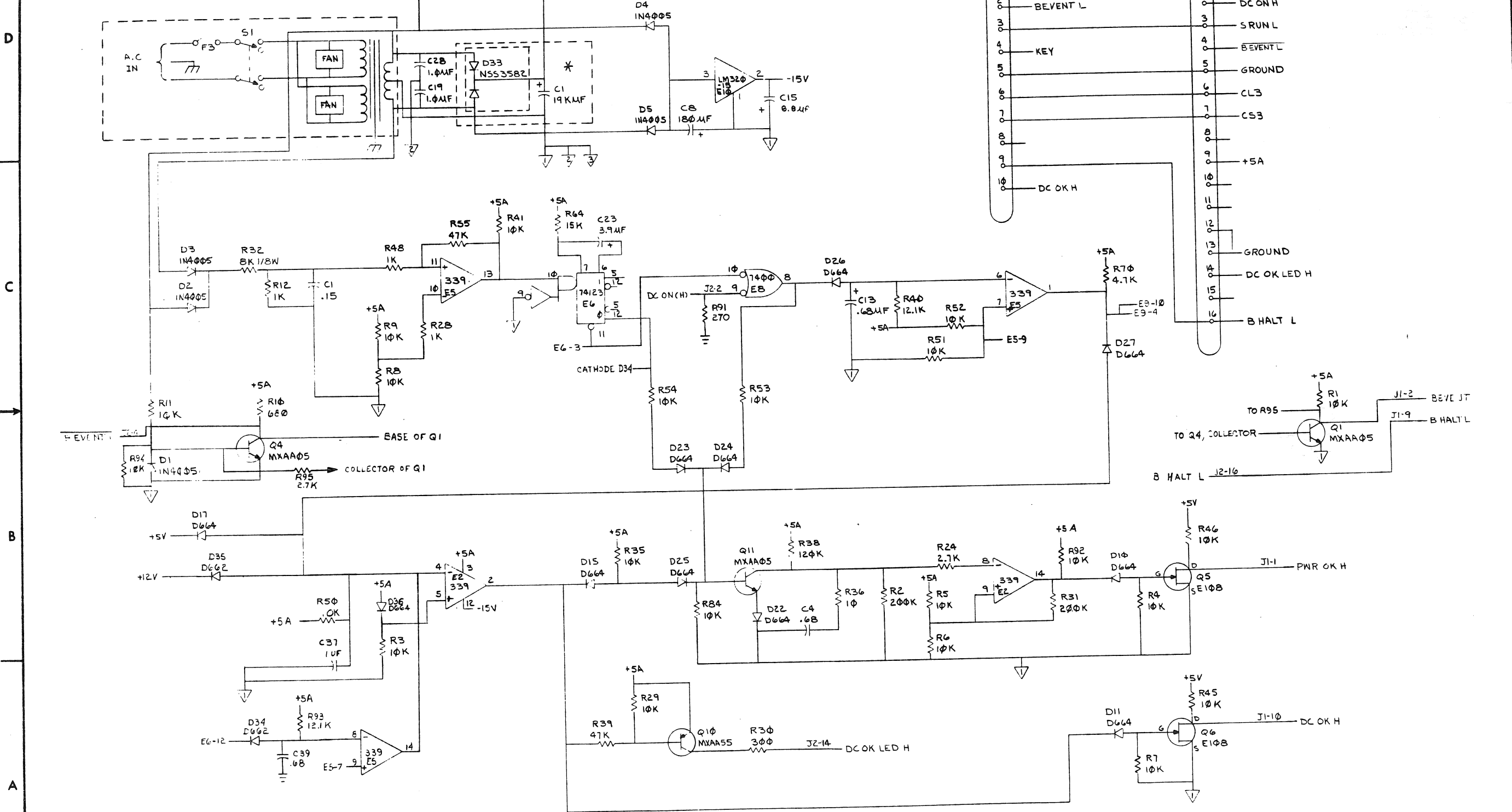
QTY	REF DESIGNATION	DESCRIPTION	PART NUMBER	ITEM NO.
2	Q8, Q19	TRANS, MXA805	1510705-01	80
1	E8	IC 7400	1905575-00	81
2	E6, E7	IC 74123	1910436-00	82
1	E9	IC 7438	1911219-00	83
2	E2, E5	IC LM339	1912108-00	84
2	E1, E3	IC 7805	1912536-00	85
1	E4	IC 7812	1912048-02	86
1	E10	IC LM320-15	1912792-00	87
1		BRACKET (CHOKE ASSY)	CAD-701583-00	88
		WASHER, NYLON	9008421	89
1		SCR, PHL PANHD #4-40X.38 LG	9006011-01	90
1		NUT, KEP #4-40	9006557-00	91
6		SCR, PHL PANHD #6-32X.625 LG	9006025-1	92
A/R		EPOXY, 2 PART ECO-BOND	9009298	93
6		NUT #6-32X.25	9008185-0	94
6		SCR, PHL PANHD #6-32X.56 LG	9007193-1	95
1		TIE, CABLE	9007032-00	96
3		INSULATOR, TRANSISTOR	9008419-00	97
A/R		THERMAL COMPOUND	9008268-00	98
A/R		WIRE, #22 AWG BLK ~4"	9107350-00	99
7		INSULATOR, TRANSISTOR	9009597	100
1	D13	DIODE, ZENER, 1N753A	1102421-00	101
3	R12, R28, R48	RES 1.1K, 1% 1/4W	1303114-00	102
1		LABEL	9009255	103
7		WASHER, RECTANGULAR	9009769	104
1		WASHER, FLAT	9006660	105
		SPRING LOCK WASHER #6	9006630	106
1	C34	CAP 0.1MF DISC	1000030-00	107
		WASHER #6	9008421	108
1	R96	RES, 100K POT	1309150-14	109
2		SCREW, #4-40 X 1/4 LG	9008301-01	110
		SCREW, PANHD #6-32 X 1/4 LG	9006025	111
A/R		TUBING, INSULATIVE ~1/2"	9107256	112
6		METAL FLAT WASHER #6-32	9006653	113
6		NYLON WASHER .375 OD	9006708	114
6		NUT #6-32 X 1/16" THK	9008957	115
6		SPLIT LOCK WASHER #6	9007801	116
		SCREW #6-32 X 3/8 LG	9006022	117
1		SCREW #8-32 X 7/8 LG	9006042-1	118
1		#8 EXT TOOTH LOCK WASHER	9008072	119
11	C19, C28, C37, C16-C18, C25, C31-C33, C5	CAP 1.0MF	1010274-02	120
A/R		ADHESIVE	4901230	121
A/R		WIRE #14 AWG	9107370-00	122

REVISIONS		
CHK	CHANGE NO.	REV.

TITLE	SIZE CODE	NUMBER	REV.
H780 POWER SUPPLY	CS	5411776-0-1	K
SCALE			

THIS DRAWING AND SPECIFICATIONS HEREIN ARE THE PROPERTY OF DIGITAL EQUIPMENT CORPORATION AND SHALL NOT BE REPRODUCED OR COPIED OR USED IN WHOLE OR IN PART AS THE BASIS FOR THE MANUFACTURE OR SALE OF ITEMS WITHOUT WRITTEN PERMISSION. COPYRIGHT © 1975 DIGITAL EQUIPMENT CORPORATION

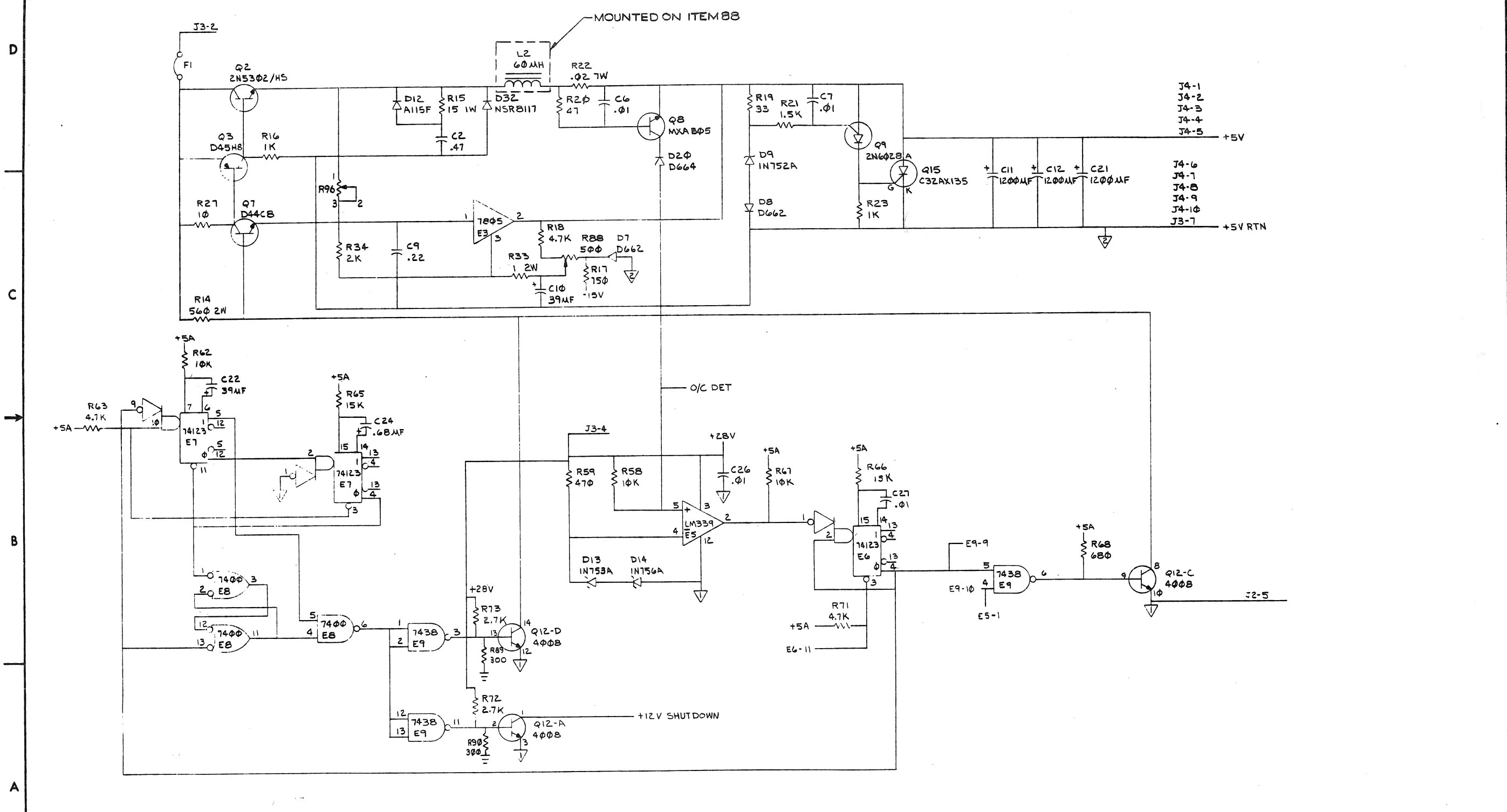
* CAPACITOR C1 LOCATED IN WIREFORM ASSY. (SEE NOTE 2 SHEET 1 OF 5)



REVISIONS		
CHK	CHANGE NO.	REV.

TITLE	H780 POWER SUPPLY	SIZE CODE	D/CS	NUMBER	5411770-0-1	REV.	X
SCALE	1:1	SHEET	3 OF 5	DIST.			

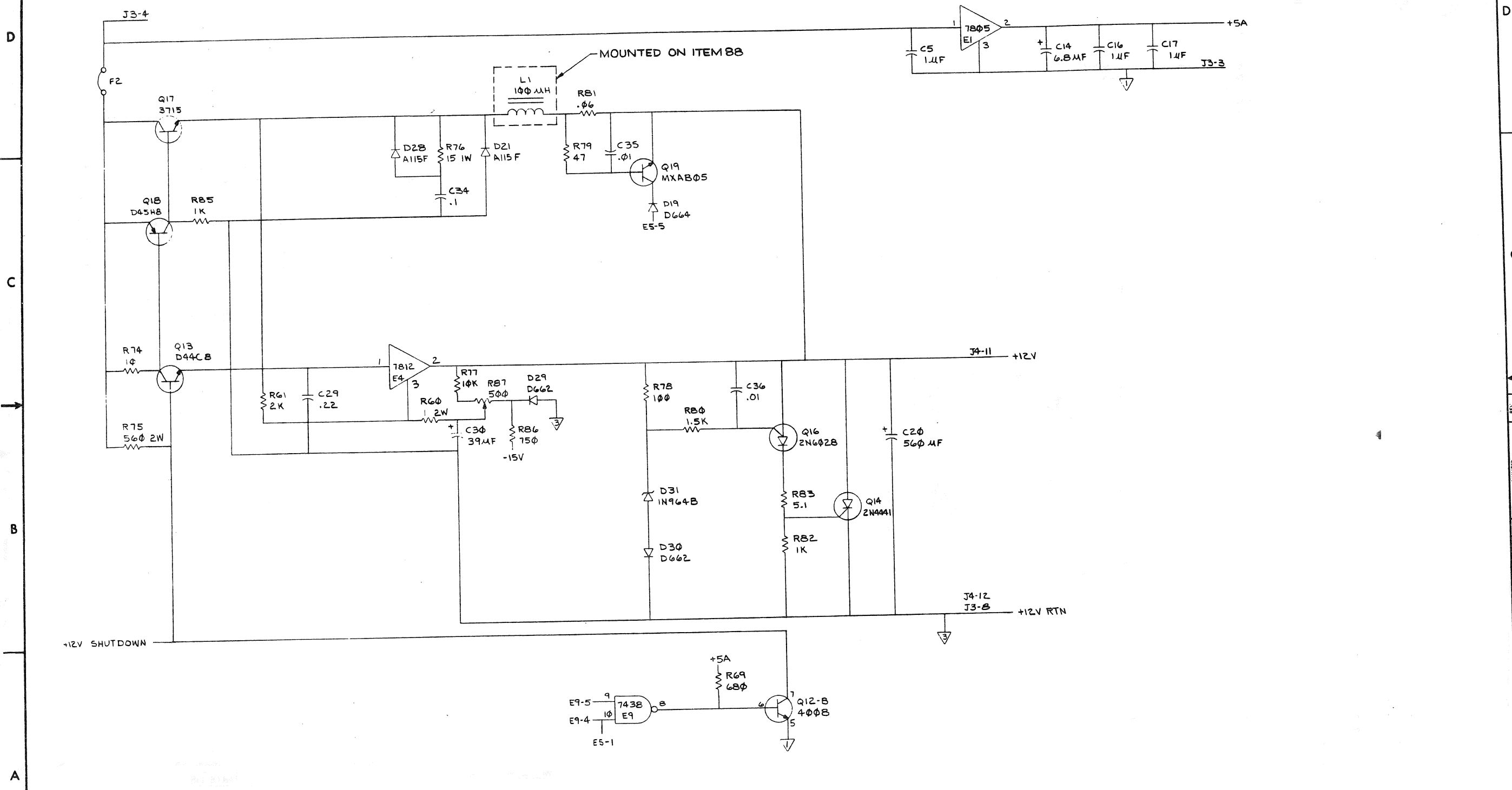
THIS DRAWING AND SPECIFICATIONS HEREIN ARE THE PROPERTY OF DIGITAL EQUIPMENT CORPORATION AND SHALL NOT BE REPRODUCED OR COPIED OR USED IN WHOLE OR IN PART AS THE BASIS FOR THE MANUFACTURE OR SALE OF ITEMS WITHOUT WRITTEN PERMISSION. COPYRIGHT © 1976 DIGITAL EQUIPMENT CORPORATION



REVISIONS		
CHK	CHANGE NO.	REV.

TITLE H780 POWER SUPPLY
 SCALE SHEET 2

"THIS DRAWING AND SPECIFICATIONS HEREIN ARE THE PROPERTY OF DIGITAL EQUIPMENT CORPORATION AND SHALL NOT BE REPRODUCED OR COPIED OR USED IN WHOLE OR IN PART AS THE BASIS FOR THE MANUFACTURE OR SALE OF ITEMS WITHOUT WRITTEN PERMISSION. COPYRIGHT © 1975 DIGITAL EQUIPMENT CORPORATION"



REVISIONS		
CHK	CHANGE NO.	REV.

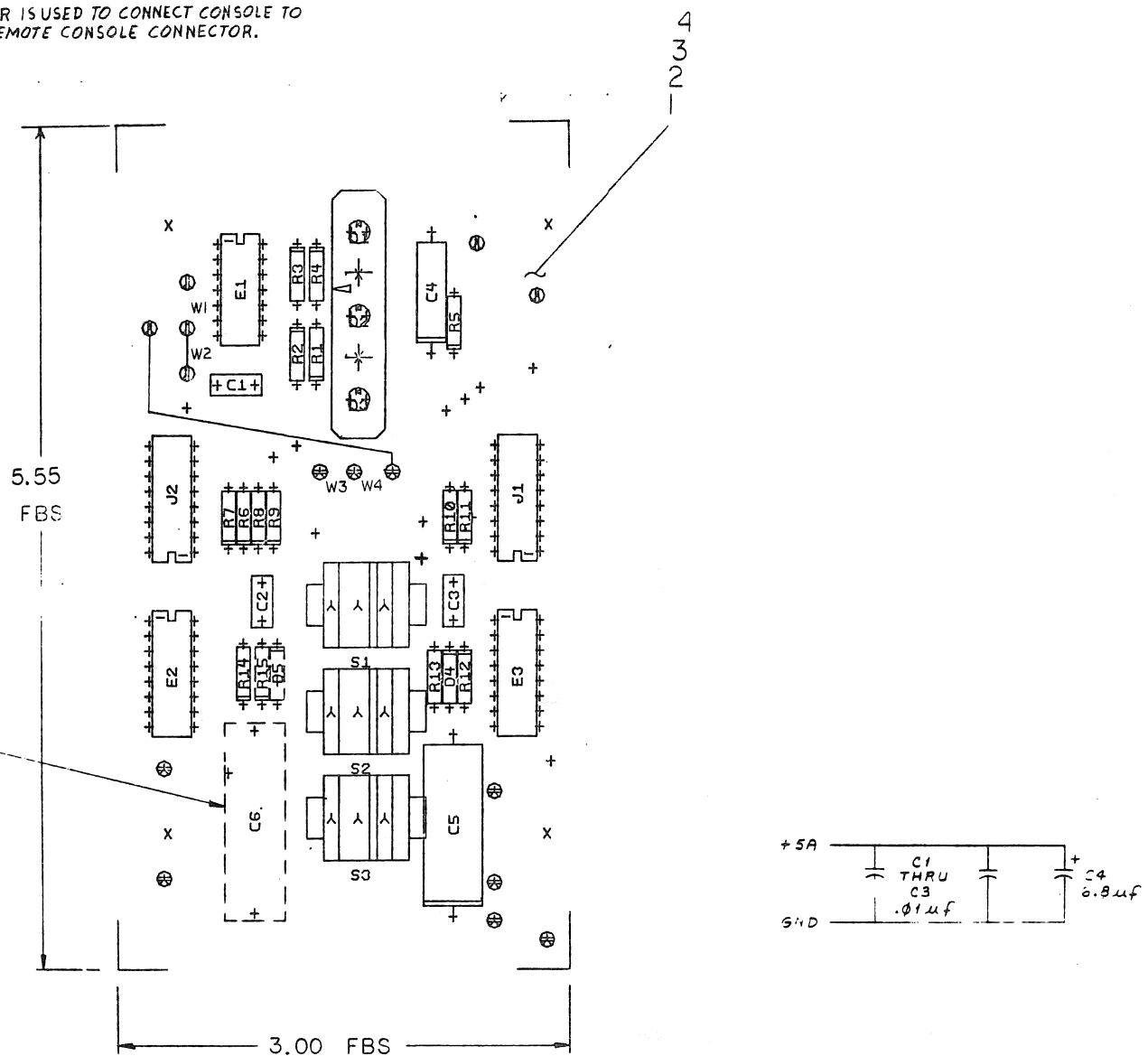
DEC FORM NO. DRD 138

TITLE	SIZE CODE	NUMBER	REV.
H780 POWER SUPPLY	D	CS 5411776-0-1	K
SCALE	SHEET	OF	DIST.
	5	5	

"THIS DRAWING AND SPECIFICATIONS HEREIN ARE THE PROPERTY OF DIGITAL EQUIPMENT CORPORATION AND SHALL NOT BE REPRODUCED OR COPIED OR USED IN WHOLE OR IN PART AS THE BASIS FOR THE MANUFACTURE OR SALE OF ITEMS WITHOUT WRITTEN PERMISSION. COPYRIGHT © 1975 DIGITAL EQUIPMENT CORPORATION"

NOTES:

1. DOTTED COMPONENTS C6, D5 AND R15 ARE ENGINEERING OPTION. VALUE TO BE DETERMINED AT LATER DATE.
2. ADD GREEN WIRE ITEM 23 FROM TP2 SPLIT LUG TO W4 SPLIT LUG NEXT TO R10.
3. W1, W3, AND W4 ARE OPTIONAL JUMPERS NOT TO BE INSERTED AT THIS TIME.
4. J2 CONNECTOR IS USED TO CONNECT CONSOLE TO SLAVE UNIT REMOTE CONSOLE CONNECTOR.
5. J1 SUPPLY CONNECTOR IS USED TO CONNECT RIBBON CABLE TO J2 ON POWER SUPPLY REGULATOR BOARD. (CABLE P/N 7008612 0M)
6. W3 AND W4 JUMPERS ARE NOT USED. (OPTIONS)



QTY	REF. DESIGNATION	DESCRIPTION	PART NO.	ITEM NO.
1		ETCHED CIRCUIT BOARD	5011801	1
REF		X-Y COORDINATE HOLE LOC.	K-CO-5915R-4	2
REF		ASSY, DRILL HOLE LAYOUT	D-AM-5915R-0-2	3
REF		MODULE HISTORY	B-MH-5915R-0-6	4
1	E1	IC DEC 7406	1910741	5
1	E3	IC DEC 74123	1910936	6
1	E2	IC DEC 8838	1911117	7
10	R2, R5, R7-R13, R4	RES. 2K, 1/4W, 5%	1302388	8
2	R2, R3	RES. 220Ω, 1/4W, 5%	1300271	9
1	R14	RES. 39K, 1/4W, 5%	1302514	10
2	J1, J2	IC SOCKET	1211813	11
1		L.E.D. HOLDER	1210940-2	12
3		SWITCH LEVERS	1210786	13
3	S1, S2, S3	SWITCH, S.P.D.T.	1210890	14
1	D4	DIODE D669	1100114	15
3	D1, D2, D3	DIODE, LIGHT EMITTING	1110864	16
1	C5	CAP, 22μF, 10%, 50V	1011328	17
2		SCREW PH. HD, SELF TAP #6X.25	9008230-1	18
15		SPLIT LUG	9006735	19
3	C1, C2, C3	CAP. 0.01μF 100V	1001610-01	20
1	C4	CAP. 6.8μF 35V 10%	1005306	21
A/R	W2	UNINSULATED #22 BUS WIRE	9107560-01	22
A/R		WIRE, #30 AWG	9105740-55	23
1	R6	RES. 10K 1/8W 1%	1303312	24

FIRST USED ON OPTION MODEL		PARTS LIST	
H780		ETCH BOARD REV.	C
DEC NO.	EIA NO.	DEC NO.	EIA NO.
SEMICONDUCTOR CONVERSION CHART			
SCALE	SHEET 1 OF 2		DIST.
DATE	DATE		DATE
2-8-75	7-8-75		9-8-75
DATE	DATE		DATE
7-8-75	9-8-75		7-8-75
DATE	DATE		DATE
7-8-75	7-8-75		7-8-75
NEXT HIGHER ASSY			
D-AD-7011569-0-0			
SIZE	COORD.	NUMBER	REV.
D	CS	5411808-0-1	D

IC TYPE	GND	+5A
I. C. DEC 74123	8	16
I. C. DEC 8838	8	16
GND AND 5A ARE USUALLY PIN 7 AND 14 RESPECTIVELY EXCEPTIONS ARE STATED ABOVE		
IC PIN LOCATIONS		

DPS 5411808-0-1