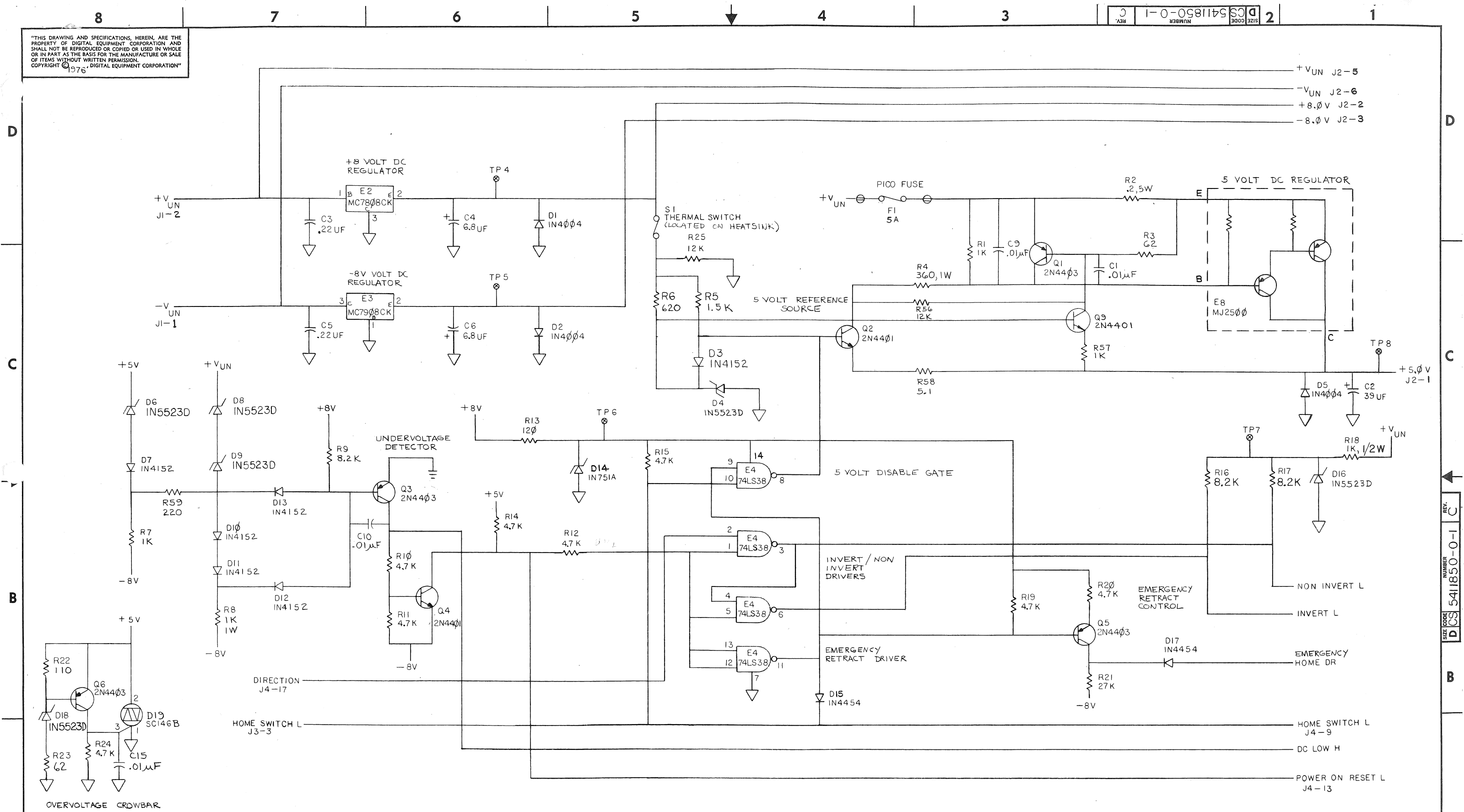


"THIS DRAWING AND SPECIFICATIONS, HEREIN, ARE THE PROPERTY OF DIGITAL EQUIPMENT CORPORATION AND SHALL NOT BE REPRODUCED OR COPIED OR USED IN WHOLE OR IN PART AS THE BASIS FOR THE MANUFACTURE OR SALE OF ITEMS WITHOUT WRITTEN PERMISSION. COPYRIGHT © 1976, DIGITAL EQUIPMENT CORPORATION"



REV.	CHG.	NO.	BY	DATE	DESCRIPTION
B1	P-60	251			RELEASED AT
B2					REV B EQUAL TO B1
B3					5411850-000
B4					G. REICHENBERG

NOTES:
1. ALL RESISTORS TO BE 1/4 W 5%; UNLESS OTHERWISE SPECIFIED

DRN. E. DeVries	26 Feb '76	FIRST USED ON	digital
CHK'D B. Bunnell	2-1-77	TITLE	DC SERVO AND POWER BOARD
ENG. A. S. S. S.	6-7-77	PROJECT	
PROD. J. S. S.	6/7/77	SCALE	
NEXT HIGHER ASSY.		SIZE	CODE
D-UA-5411850-0-0		D	CS
SHEET 1 OF 2		NUMBER	5411850-0-1
		REV.	C

