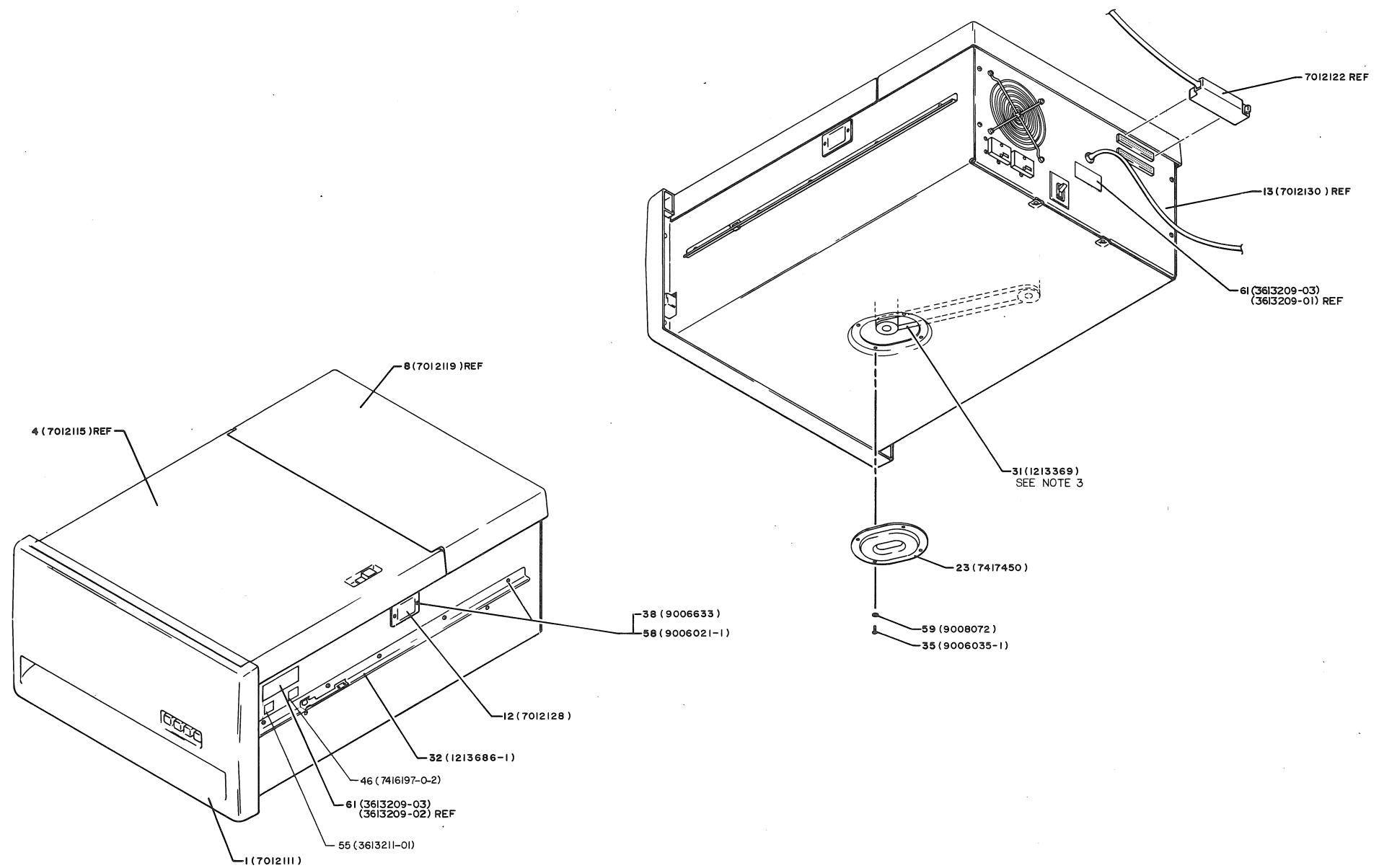


THIS DRAWING AND SPECIFICATIONS HEREIN ARE THE PROPERTY OF DIGITAL EQUIPMENT CORPORATION AND SHALL NOT BE REPRODUCED OR COPIED OR USED IN WHOLE OR IN PART AS THE BASIS FOR THE MANUFACTURE OR SALE OF ITEMS WITHOUT WRITTEN PERMISSION.
 DIGITAL EQUIPMENT CORPORATION

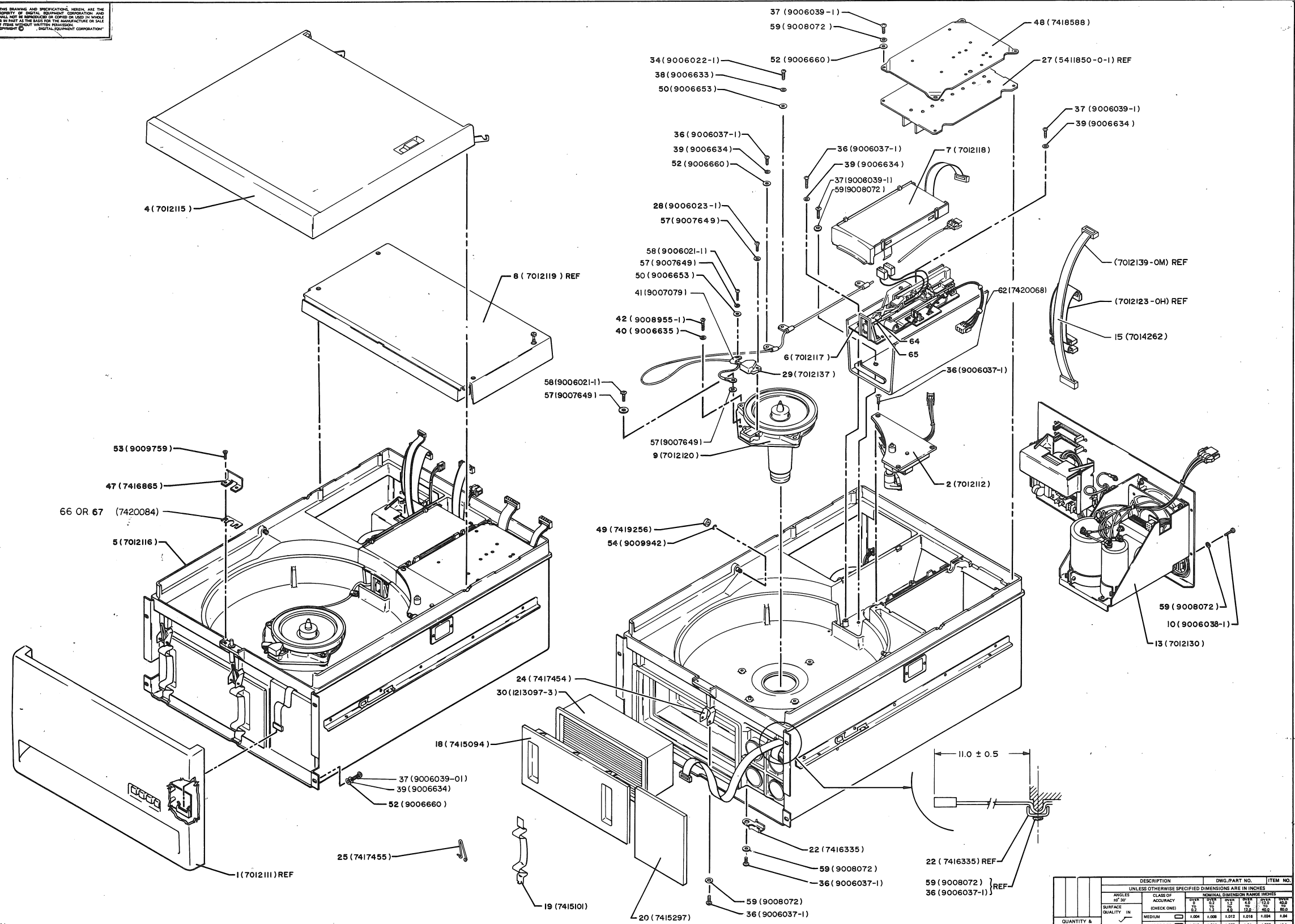
- NOTES:
1. LOWER HEAD (ITEM 65) SHALL BE POSITIONED REARWARDS AGAINST PIN IN CARRIAGE
 2. ALL SCREWS TO BE TIGHTENED AS FOLLOWS:
 4-40 SCREW, TORQUE 3.5 ± 0.5 IN LBS
 6-32 " " 5.0 ± 1.0 " "
 8-32 " " 10.0 ± 1.0 " "
 10-32 " " 18.0 ± 2.0 " "
 3. DRIVE BELT TENSION 10.0 ± 1.0 LBS



REV.	DESCRIPTION	DATE
A	RELEASED	
B	AT RLOI	
C	R. SCHNEIDER	
D	RLOI-0009	
E	RLOI-0X010	
F	RLOI-0X012	

DRG. NO.	DESCRIPTION	DWG. PART NO.	ITEM NO.
CHK'G	UNLESS OTHERWISE SPECIFIED DIMENSIONS ARE IN INCHES		
ENG. I.	ANGLES 30° 30'		
FRD.	CLASS OF ACCURACY		
	(CHECK ONE)		
	QUANTITY & VARIATION		
	MICROINCHES		
	PREFERRED		
	THIRD ANGLE PROJECTION		
	REMOVE BURRS AND BREAK SHARP CORNERS		
	DO NOT SCALE DWG		
	NEXT HIGHER ASY.		
	MATERIAL	SCALE	SIZE CODE
	FINISH	SHEET	NUMBER
		OF 4	REV. F
		DIST.	

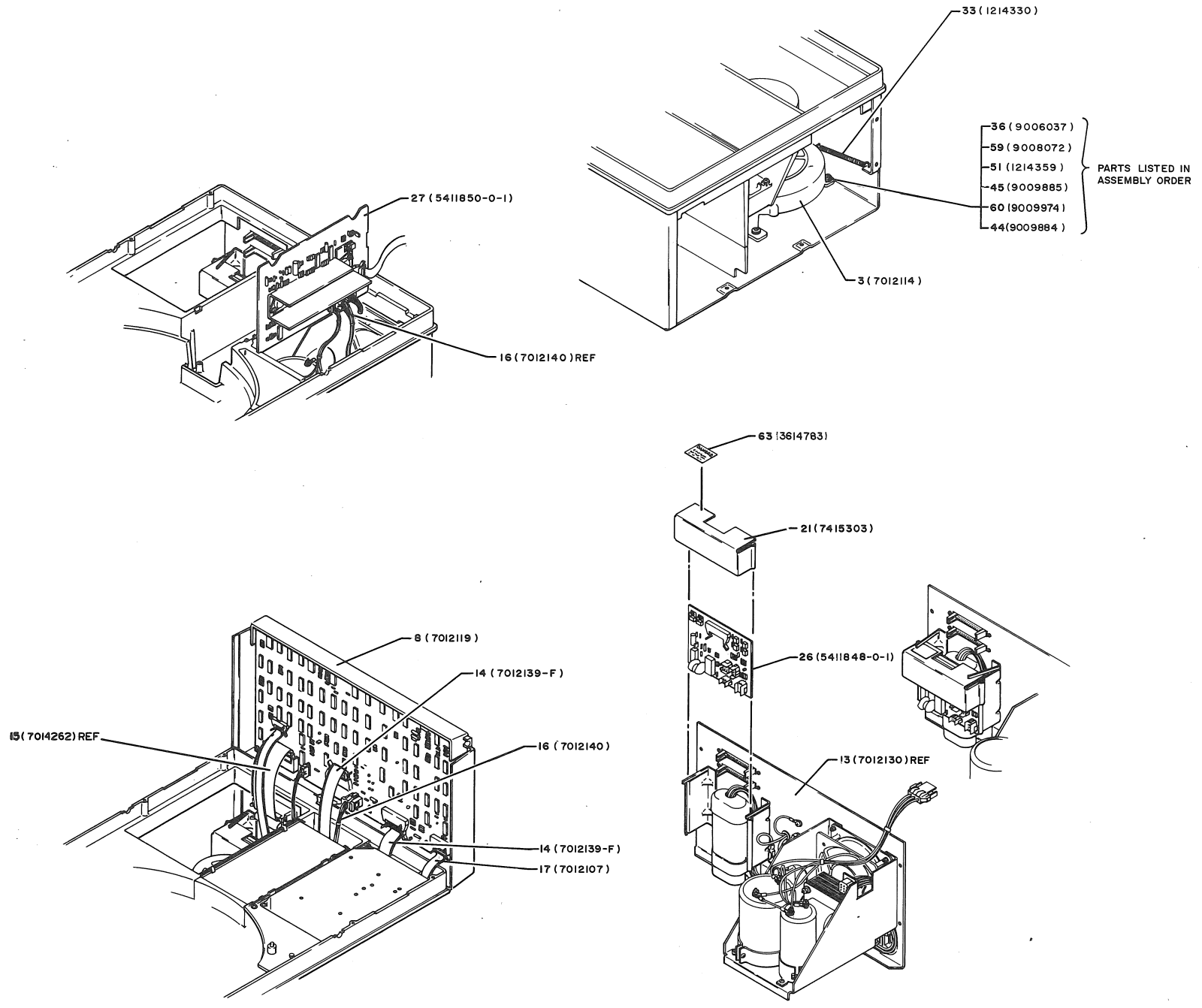
THIS DRAWING AND SPECIFICATIONS HEREIN ARE THE PROPERTY OF DIGITAL EQUIPMENT CORPORATION AND SHALL NOT BE REPRODUCED OR COPIED IN WHOLE OR IN PART AS THE BASIS FOR THE MANUFACTURE OR SALE OF ITEMS WITHOUT WRITTEN PERMISSION. DIGITAL EQUIPMENT CORPORATION



REVISIONS
 CHANGE NO.

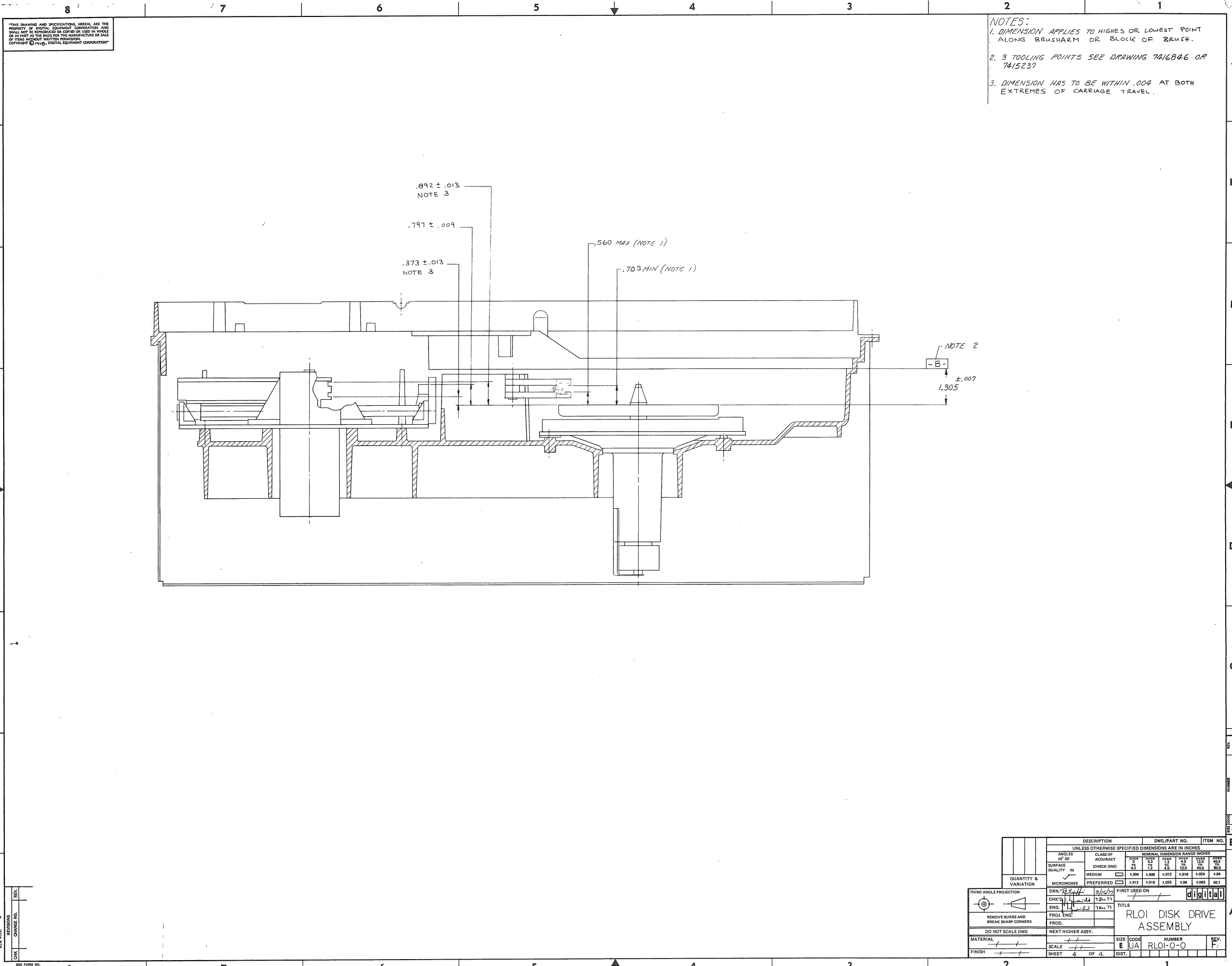
DESCRIPTION		DWG. PART NO.		ITEM NO.	
UNLESS OTHERWISE SPECIFIED DIMENSIONS ARE IN INCHES					
ANGLE	CLASS OF	TOLERANCE DIMENSION RANGE (INCHES)			
30° 30'	ACCURACY	0.004	0.005	0.006	0.007
	(CHECK ONE)	0.005	0.006	0.007	0.008
SURFACE	QUALITY	IN	IN	IN	IN
		0.004	0.005	0.006	0.007
QUANTITY & VARIATION	MICROINCHES	PREFERRED	0.002	0.004	0.006
THIRD ANGLE PROJECTION	DRN	CHKD	APP'D	FIRST USED ON	DATE
REMOVE BURRS AND BREAK SHARP CORNERS	PROJ. ENG.	PROJ. ENG.	PROJ. ENG.	TITLE	
DO NOT SCALE DWG	NEXT HIGHER ASSY.	RLOI DISK DRIVE ASSEMBLY			
MATERIAL	SCALE	SIZE	CODE	NUMBER	REV.
FINISH	SHEET 2	OF 4	E	UA	RLOI-0-0

THIS DRAWING AND SPECIFICATIONS HEREIN ARE THE PROPERTY OF DIGITAL EQUIPMENT CORPORATION AND SHALL NOT BE REPRODUCED OR COPIED OR USED IN WHOLE OR IN PART AS THE BASIS FOR THE MANUFACTURE OR SALE OF ITEMS WITHOUT WRITTEN PERMISSION OF DIGITAL EQUIPMENT CORPORATION.



REV. 1
CHANGES
DATE

THIRD ANGLE PROJECTION		DESCRIPTION	DWG. PART NO.	ITEM NO.
UNLESS OTHERWISE SPECIFIED DIMENSIONS ARE IN INCHES				
ANGLES	CLASS OF ACCURACY	NOMINAL DIMENSION RANGE INCHES		
10°/30°		0.001	0.002	0.005
SURFACE QUALITY	(CHECK ONE)	0.001	0.002	0.005
IN	MEDIUM	0.001	0.002	0.005
QUANTITY & VARIATION	PREFERRED	0.001	0.002	0.005
		0.001	0.002	0.005
DRN: <u>52</u>	DATE: <u>8/11/71</u>	FIRST USED ON: <u>8/11/71</u>		
CHK'D: <u>J. J. A.</u>	APP'D: <u>J. J. A.</u>	TITLE: RLOI DISK DRIVE ASSEMBLY		
ENG: <u>J. J. A.</u>	DATE: <u>8/11/71</u>	PROJECT: <u>8-22-77</u>		
PROD: <u>J. J. A.</u>	DATE: <u>8/11/71</u>	SHEET: <u>3</u> OF <u>4</u>		
DO NOT SCALE DWG	NEXT HIGHER ASSY.	SIZE CODE	NUMBER	REV.
MATERIAL	SCALE	E UA	RLOI-0-0	F
FINISH	SHEET 3 OF 4	DIST.		



NOTES:
 1. DIMENSION APPLIES TO HIGHER OR LOWEST POINT ALONG BRUSHARM OR BLOCK OF BRUSH.
 2. 3 TOOLING POINTS SEE DRAWING 7416846 OR 7415237
 3. DIMENSION HAS TO BE WITHIN .004 AT BOTH EXTREMES OF CARRIAGE TRAVEL.

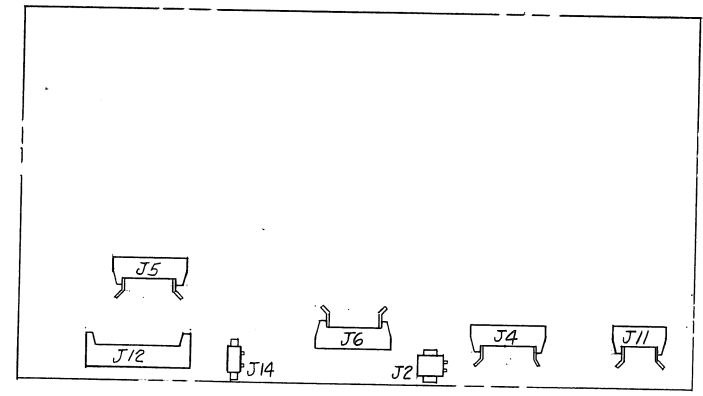
THIS DRAWING AND SPECIFICATIONS HEREIN ARE THE PROPERTY OF DIGITAL EQUIPMENT CORPORATION AND SHALL NOT BE REPRODUCED OR COPIED OR USED IN WHOLE OR IN PART AS THE BASIS FOR THE MANUFACTURE OR SALE OF ITEMS WITHOUT WRITTEN PERMISSION OF DIGITAL EQUIPMENT CORPORATION.

J
 H
 F
 E
 D
 C
 B
 A

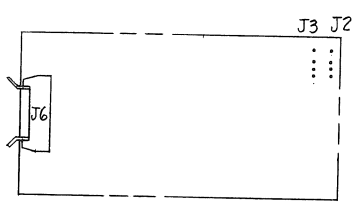
THIRD ANGLE PROJECTION		DRN: <i>g/ab</i>	9/28/71	FIRST USED ON	<i>g/ab</i>
CHKD: <i>g/ab</i>	11/11/71	11/11/71	11/11/71	11/11/71	11/11/71
ENG: <i>g/ab</i>	11/11/71	11/11/71	11/11/71	11/11/71	11/11/71
PROJ. ENGR.	11/11/71	11/11/71	11/11/71	11/11/71	11/11/71
PROD.	11/11/71	11/11/71	11/11/71	11/11/71	11/11/71
DO NOT SCALE DWG.		NEXT HIGHER ASSY.			
MATERIAL	SCALE	SIZE	CODE	NUMBER	REV.
FINISH	SHEET 4 OF 4	E	JA	RLOI-0-0	F

"THIS DRAWING AND SPECIFICATIONS, HEREIN, ARE THE PROPERTY OF DIGITAL EQUIPMENT CORPORATION AND SHALL NOT BE REPRODUCED OR COPIED OR USED IN WHOLE OR IN PART AS THE BASIS FOR THE MANUFACTURE OR SALE OF ITEMS WITHOUT WRITTEN PERMISSION. COPYRIGHT © 1977, DIGITAL EQUIPMENT CORPORATION"

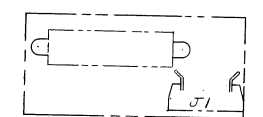
REV. B
NUMBER RLØ1-Ø-3
SIZE D I C 2



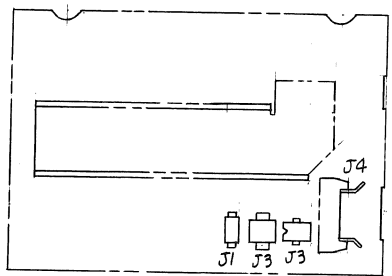
LOGIC BOARD
FIG. 1



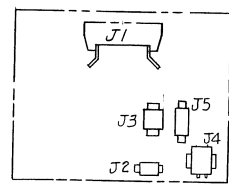
R/W BOARD
FIG. 2



FRONT PANEL BOARD
FIG. 3



D.C. SERVO BOARD
FIG. 4



A.C. SERVO BOARD
FIG. 5

REV.	CHANGE NO.	RELEASED AT
A		
B		

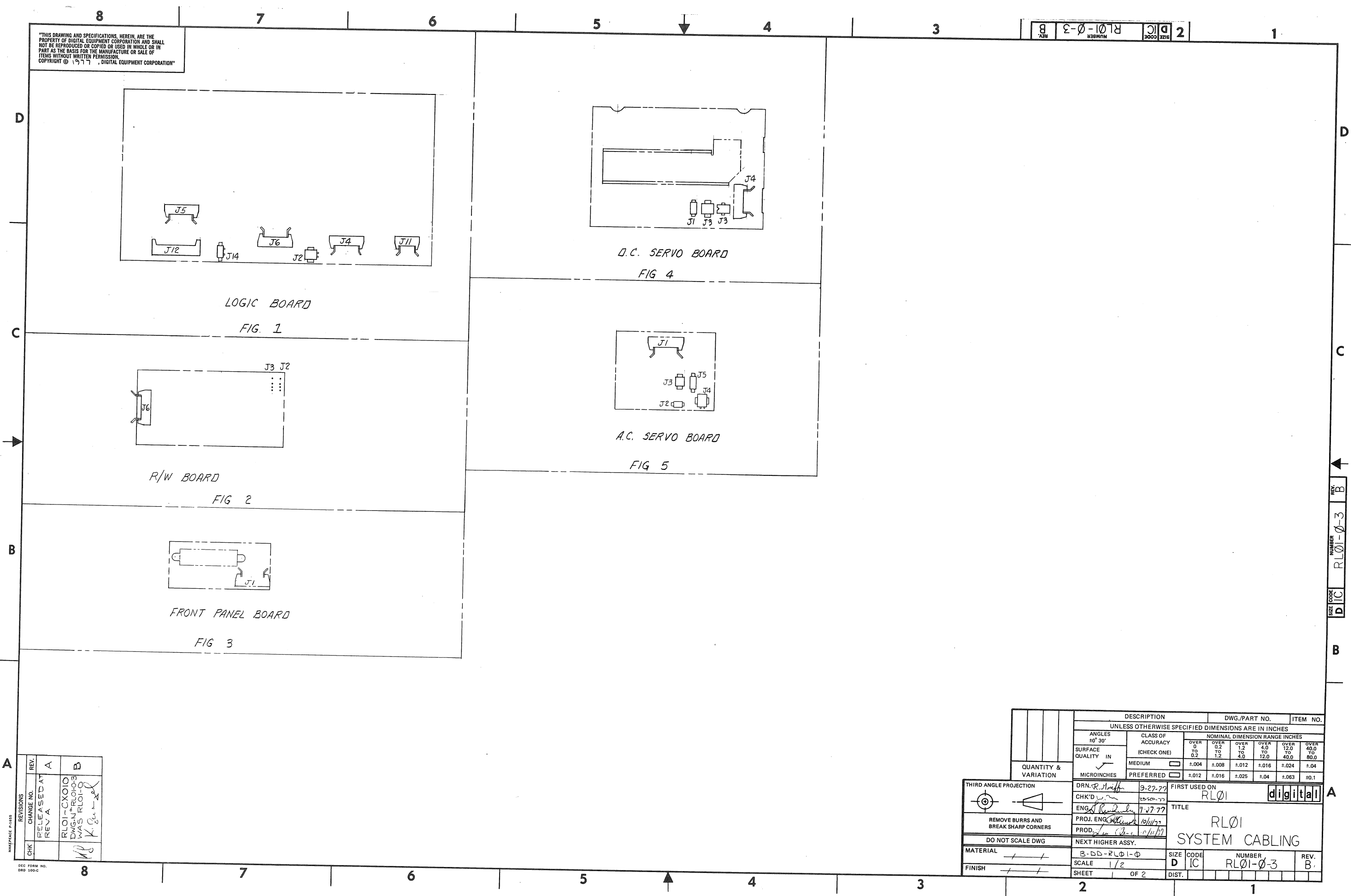
REVISIONS

CHK' *MB*

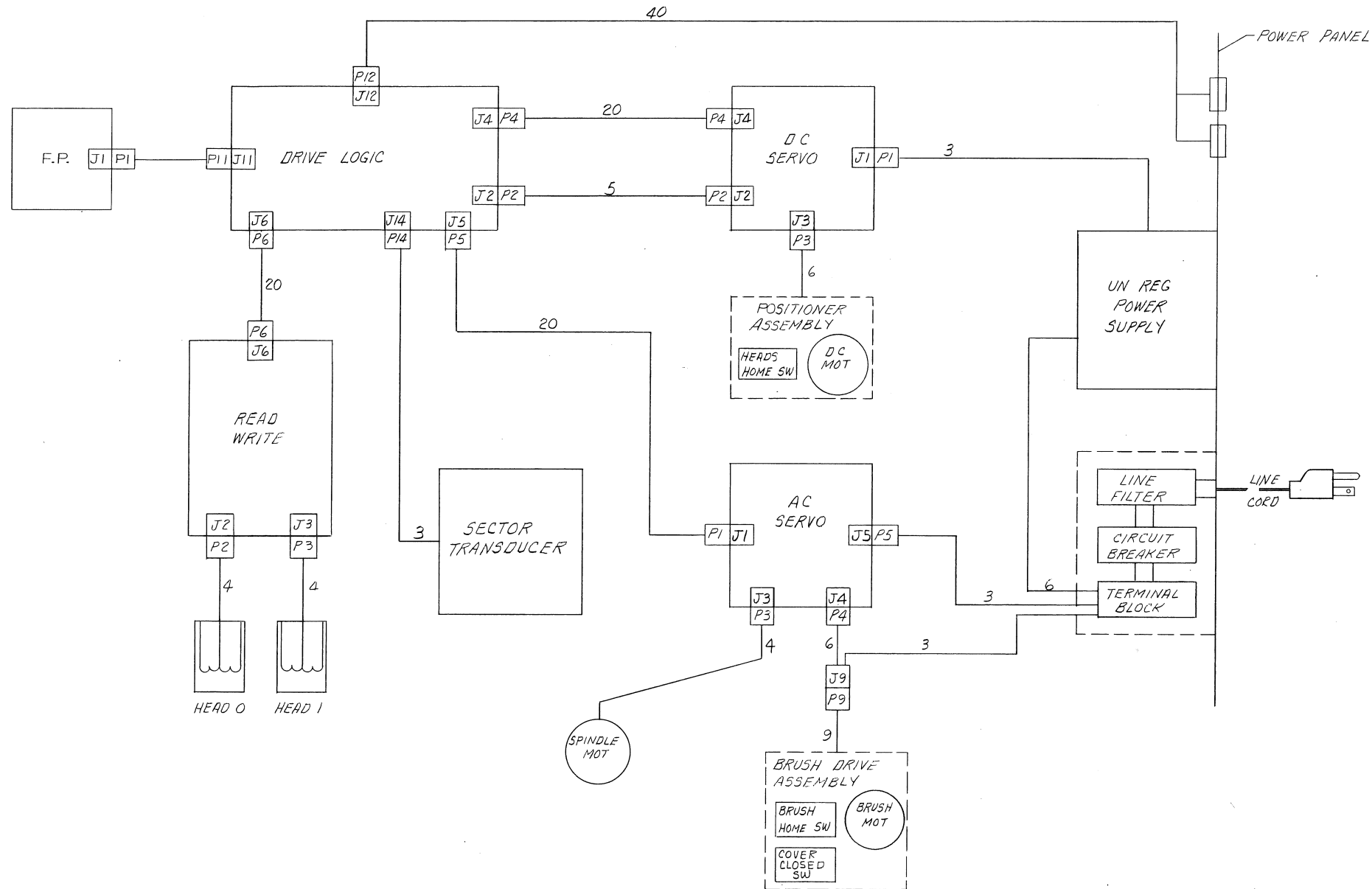
RELEASED AT

RLØ1-CXØ1Ø
DWG. NO. RLØ1-Ø-3
WAS RLØ1-Ø
K. B. ...

THIRD ANGLE PROJECTION	DRN. <i>R. Smith</i>	9-27-77	FIRST USED ON	RLØ1	digital	
	CHK'D <i>[Signature]</i>	25-50-77	TITLE	RLØ1 SYSTEM CABLING		
REMOVE BURRS AND BREAK SHARP CORNERS	PROJ. ENG. <i>[Signature]</i>	7-27-77	SCALE 1/2			
DO NOT SCALE DWG.	PROD. <i>[Signature]</i>	10/1/77				
MATERIAL	B-DD-RLØ1-Ø	SHEET 1 OF 2	SIZE CODE	D I C	NUMBER	REV. B
FINISH			DIST.			



THIS DRAWING AND SPECIFICATIONS, HEREIN, ARE THE PROPERTY OF DIGITAL EQUIPMENT CORPORATION AND SHALL NOT BE REPRODUCED OR COPIED OR USED IN WHOLE OR IN PART AS THE BASIS FOR THE MANUFACTURE OR SALE OF ITEMS WITHOUT WRITTEN PERMISSION.
COPYRIGHT © 1978, DIGITAL EQUIPMENT CORPORATION



REVISIONS	REV.
CHANGE NO.	
CHK	

DEC FORM NO. DRB 100-C

THIRD ANGLE PROJECTION 	DRN. R. M. [Signature]	9-27-77	FIRST USED ON	RLO1	digital
	CHK'D [Signature]	10/11/77	TITLE	RLO1	SYSTEM CABLING
	ENG. [Signature]	9-27-77	DESCRIPTION		
REMOVE BURRS AND BREAK SHARP CORNERS	PROJ. ENG. [Signature]	10/11/77			
DO NOT SCALE DWG	PROD. [Signature]	10/11/77			
MATERIAL	NEXT HIGHER ASSY.		SIZE	D IC	NUMBER
FINISH			SCALE	++	RLO1-0-3
			SHEET	2	OF 2
			DIST.		