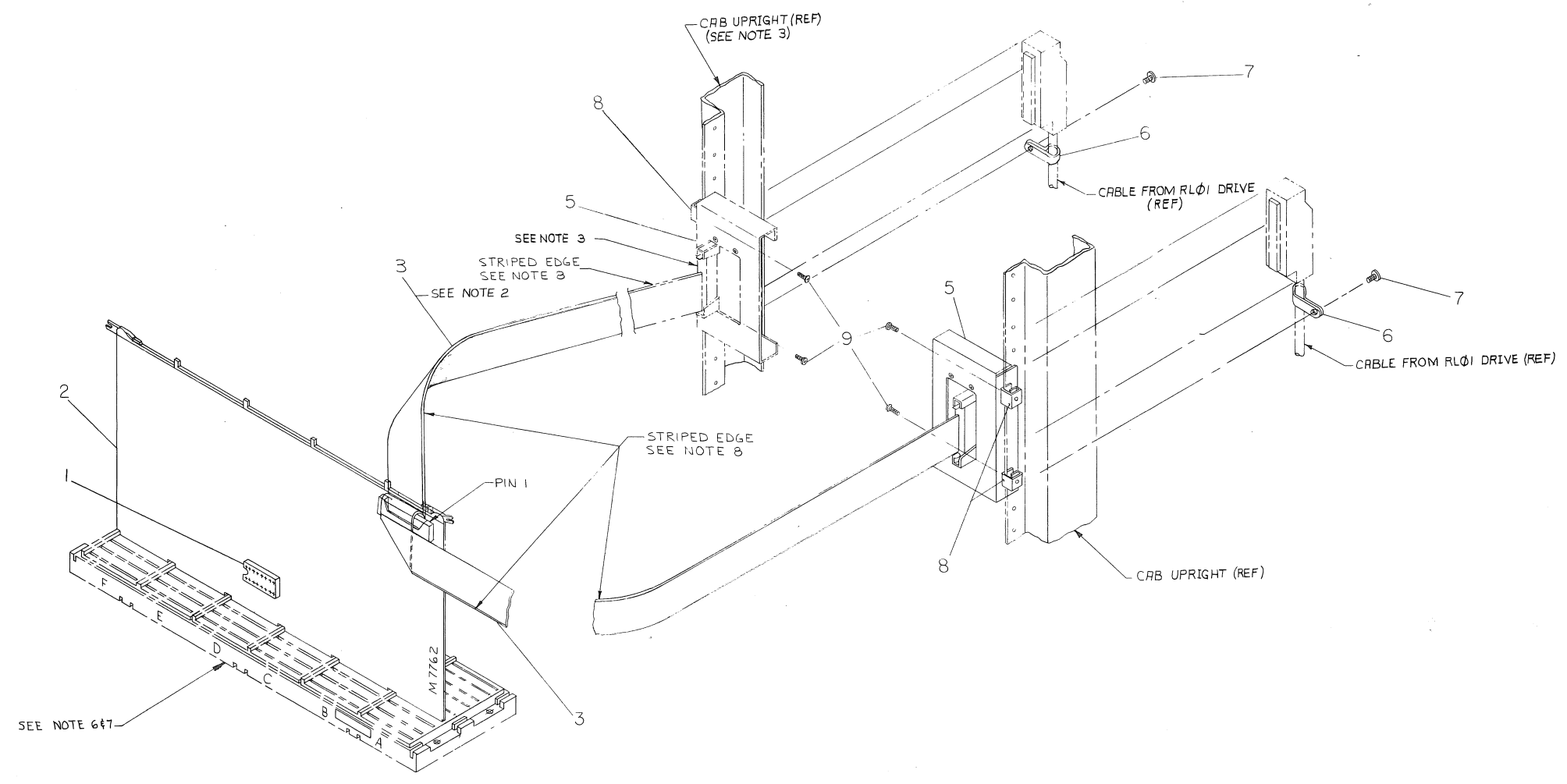


THIS DRAWING AND SPECIFICATIONS HEREIN ARE THE PROPERTY OF DIGITAL EQUIPMENT CORPORATION AND SHALL NOT BE REPRODUCED OR COPIED OR USED IN WHOLE OR IN PART AS THE BASIS FOR THE MANUFACTURE OR SALE OF ITEMS WITHOUT WRITTEN PERMISSION. COPYRIGHT © 1974, DIGITAL EQUIPMENT CORPORATION

- NOTES:
1. TERMINATOR ASSY (ITEM #4) TO BE INSTALLED IN CABLE OUT LOCATION IN LAST DRIVE OF SUB-SYSTEM.
  2. WHEN INSTALLED IN BAIK OR BAILL EXPANSION BOX, BC06R-06 CABLE (ITEM 3) SHOULD BE FOLDED 90° AND ROUTED UP AND OUT OF THE BOX AS SHOWN.
  3. WHEN ALTERNATE MOUNTING POSITION IS USED, CONNECTOR IN TRANSITION BRACKET MUST BE INVERTED SO THAT I/O CABLE FROM DRIVE WILL HANG IN A DOWNWARD POSITION AS SHOWN.
  4. ITEM #3 THRU ITEM #10 ARE NOT ASSEMBLED AT THIS POINT BUT MUST BE SHIPPED WITH UNIT FOR ASSEMBLY AT INSTALLATION.
  5. PRIORITY JUMPER ASSY (ITEM #1) TO BE PLUGGED INTO M7762 AT FINAL ASSY.
  6. THE RLII MODULE (M7762) WILL OCCUPY ONE HEX SPC SLOT.
  7. JUMPER WIRE FROM CA1 TO CB1 ON THE SPC BACKPLANE MUST BE REMOVED AT INSTALLATION.
  8. STRIPED EDGE OF CABLE MUST BE LOCATED AT PIN 1 SIDE OF CONNECTOR ON M7762.

167



SEE NOTE 1 }

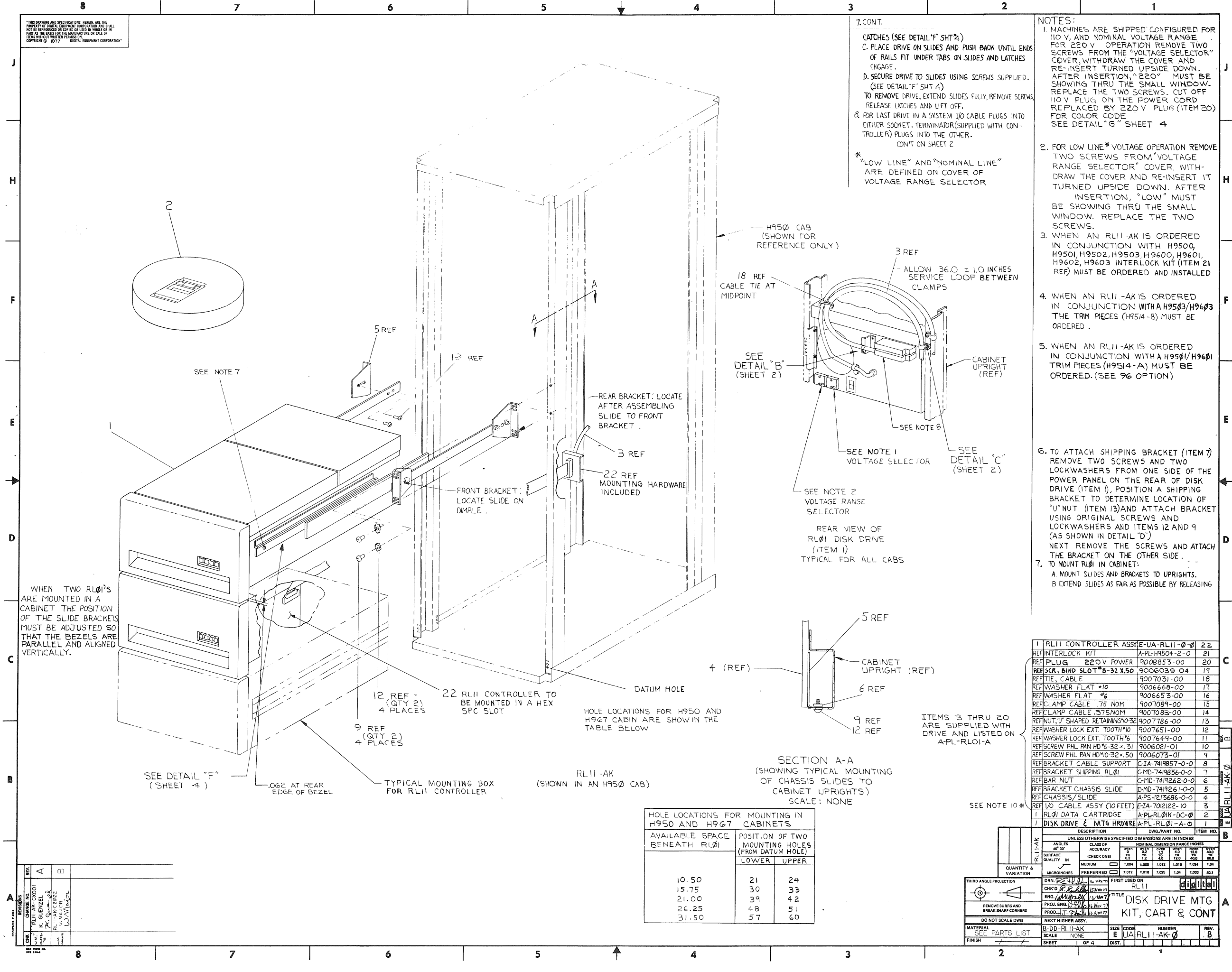
QUANTITY	DESCRIPTION	DWG. PART NO.	ITEM NO.
1	UNIT SELECT PLUG KIT	A-PL-701293B-0-0	10
2	SCREW, PHL TRS HD, #10-32x.50 LG	9006073-03	9
2	NUT, SPRING #10-32	9007786-00	8
1	SCREW, TAP-TITE #8x.38 LG	9006418-01	7
1	CLAMP, CABLE	9007083-00	6
1	TRANSITION BRACKET ASSY	C-AD-7012415-0-0	5
1	TERMINATOR ASSY	D-IA-7012293-0-0	4
1	CABLE ASSY	D-UA-BC06R-06	3
1	RLII CONTROLLER	D-UA-M7762-0-0	2
1	PRIORITY JUMPER ASSY	5408778	1

THIRD ANGLE PROJECTION	DRN: <i>[Signature]</i> 12/29/74	FIRST USED ON	RLII
REMOVE BURRS AND BREAK SHARP CORNERS	CHK'D: <i>[Signature]</i> 2/1/75	TITLE	RLII CONTROLLER ASSY
DO NOT SCALE DWG	PROJ. ENG: <i>[Signature]</i> 12/29/74	SIZE	B-DD-RLII-0
MATERIAL SEE PARTS LIST	PROD: <i>[Signature]</i> 12/29/74	SCALE	NONE
FINISH	SHEET 1 OF 1	DIST.	E UA RLII-0-0

REV.	CHG. NO.	DATE	BY	APP.
1	00002	12/29/74	[Signature]	[Signature]
2	00003	2/1/75	[Signature]	[Signature]

DEC FORM NO. DFE 1008

THIS DRAWING AND SPECIFICATIONS, HEREIN, ARE THE PROPERTY OF DIGITAL EQUIPMENT CORPORATION AND SHALL NOT BE REPRODUCED OR COPIED OR USED IN WHOLE OR IN PART AS THE BASIS FOR THE MANUFACTURE OR SALE OF ITEMS WITHOUT WRITTEN PERMISSION.  
 DIGITAL EQUIPMENT CORPORATION  
 COPYRIGHT © 1977



DESCRIPTION	DWG. PART NO.	ITEM NO.
1 RLII CONTROLLER ASSY	E-UA-RLII-0-0	22
REF INTERLOCK KIT	A-PL-H9504-2-0	21
REF PLUG 220V POWER	9008853-00	20
REF SCR, BIND SLOT #B-32 X.50	9006039-04	19
REF TIE, CABLE	9007031-00	18
REF WASHER FLAT #10	9006668-00	17
REF WASHER FLAT #6	9006653-00	16
REF CLAMP CABLE .75 NOM	9007089-00	15
REF CLAMP CABLE .375 NOM	9007083-00	14
REF NUT, U SHAPED RETAINING #10-32	9007786-00	13
REF WASHER LOCK EXT. TOOTH #10	9007651-00	12
REF WASHER LOCK EXT. TOOTH #6	9007649-00	11
REF SCREW PHL PAN HD #6-32 X .31	9006021-01	10
REF SCREW PHL PAN HD #10-32 X .50	9006073-01	9
REF BRACKET CABLE SUPPORT	C-IA-7418857-0-0	8
REF BRACKET SHIPPING RL01	C-MD-7418856-0-0	7
REF BAR NUT	C-MD-7419262-0-0	6
REF BRACKET CHASSIS SLIDE	D-MD-7419261-0-0	5
REF CHASSIS/SLIDE	A-PS-1215686-0-0	4
REF I/O CABLE ASSY (10 FEET)	E-IA-7012122-10	3
1 RL01 DATA CARTRIDGE	A-PL-RL01K-DC-0	2
7 DISK DRIVE & MTG HRDWARE	A-PL-RL01-A-0	1

UNLESS OTHERWISE SPECIFIED DIMENSIONS ARE IN INCHES	
CLASS OF SURFACE QUALITY	TOLERANCES
FINISH	OVER 1/2" 0.005
	1/2" TO 1" 0.004
MICROINCHES	0.012 0.010 0.008 0.006 0.004 0.003 0.001
	PREFERRED

THIRD ANGLE PROJECTION

DRN: [Signature]

CHK'D: [Signature]

ENG: [Signature]

PROJ. ENG: [Signature]

PROD. LIT: [Signature]

REMOVE BURRS AND BREAK SHARP CORNERS

DO NOT SCALE DWG

NEXT HIGHER ASSY.

MATERIAL: SEE PARTS LIST

FINISH: [Symbol]

SCALE: NONE

SHEET 1 OF 4

DESCRIPTION: DISK DRIVE MTG KIT, CART & CONT

TITLE: RLII

DATE: 15 MAR 77

SIZE: B-DD-RLII-AK

CODE: E UA RLII-AK-0

NUMBER: [Blank]

REV: [Blank]

REV	DESCRIPTION
A	CHANGE NO. 010001
B	CHANGE NO. 010002

CHK: [Signature]

APP: [Signature]

DATE: 15 MAR 77

THIS DRAWING AND SPECIFICATIONS, HEREIN, ARE THE PROPERTY OF DIGITAL EQUIPMENT CORPORATION AND SHALL NOT BE REPRODUCED OR COPIED OR USED IN WHOLE OR IN PART AS THE BASIS FOR THE MANUFACTURE OR SALE OF ITEMS WITHOUT WRITTEN PERMISSION.  
COPYRIGHT © 1977, DIGITAL EQUIPMENT CORPORATION

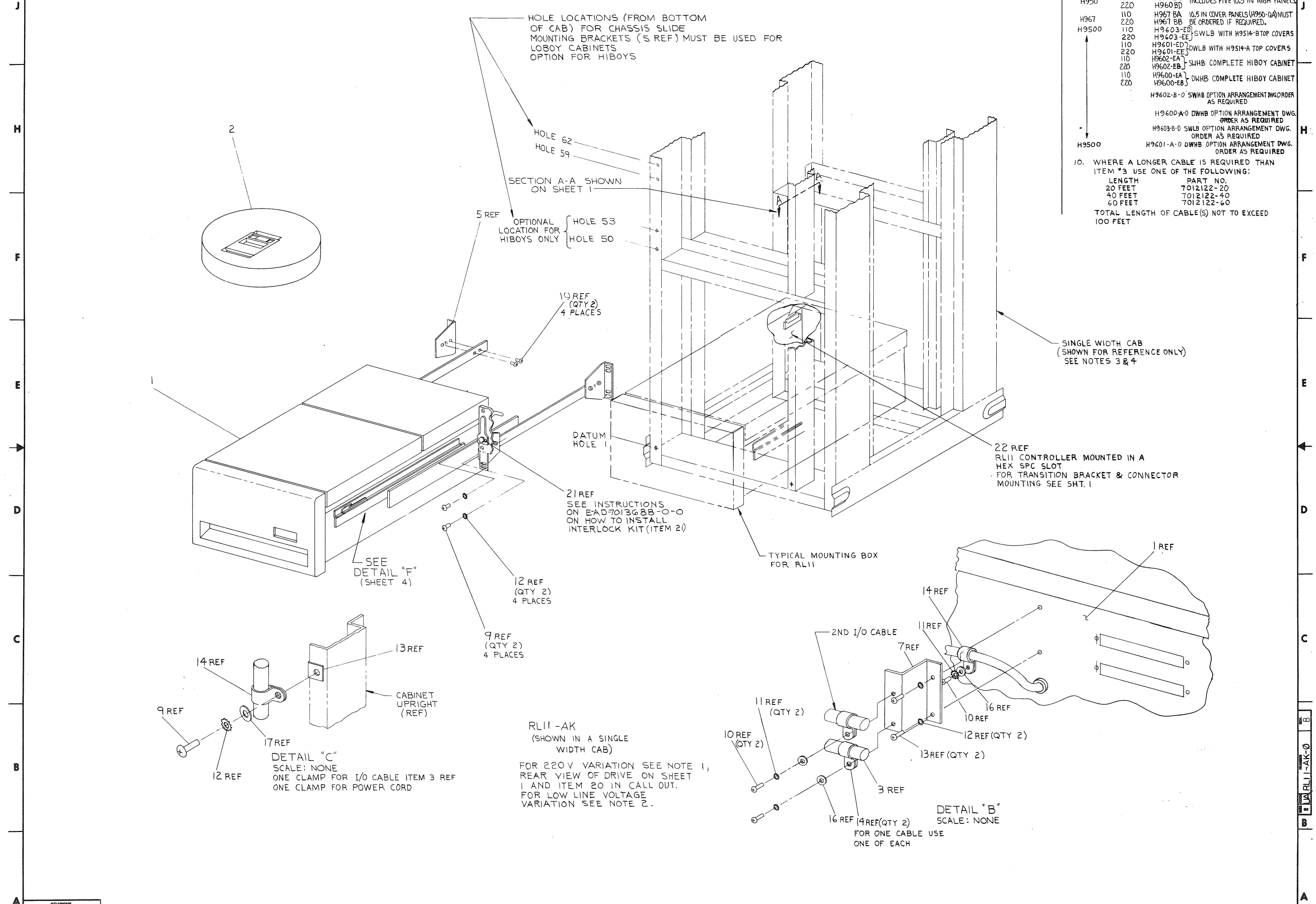
NOTES: CONT  
9. CABINET OPTIONS INCLUDE SKINS, DOORS, COVERS, TRIM, AND POWER CONTROLLERS.

TYPE	VOLTS	DWG	REMARKS
H950	110	H960 BC	INCLUDES FIVE 10.5 IN HIGH PANELS
	220	H960 BD	
H967	110	H967 BA	10.5 IN COVER PANELS (H950-QA) MUST BE ORDERED IF REQUIRED.
	220	H967 BB	
H9500	110	H9603-ED	SWLB WITH H9514-BTOP COVERS
	220	H9603-EE	
	110	H9601-ED	DWLB WITH H9514-A TOP COVERS
	220	H9601-EE	
	110	H9602-EA	SWHB COMPLETE HIBOY CABINET
	220	H9602-EB	
	110	H9600-EA	DWHB COMPLETE HIBOY CABINET
	220	H9600-EB	
		H9602-B-0	DWHB OPTION ARRANGEMENT ORDER AS REQUIRED
		H9600-A-0	DWHB OPTION ARRANGEMENT DWG. ORDER AS REQUIRED
		H9603-B-0	SWLB OPTION ARRANGEMENT DWG. ORDER AS REQUIRED
H9500		H9601-A-0	DWHB OPTION ARRANGEMENT DWG. ORDER AS REQUIRED

10. WHERE A LONGER CABLE IS REQUIRED THAN ITEM 3 USE ONE OF THE FOLLOWING:  

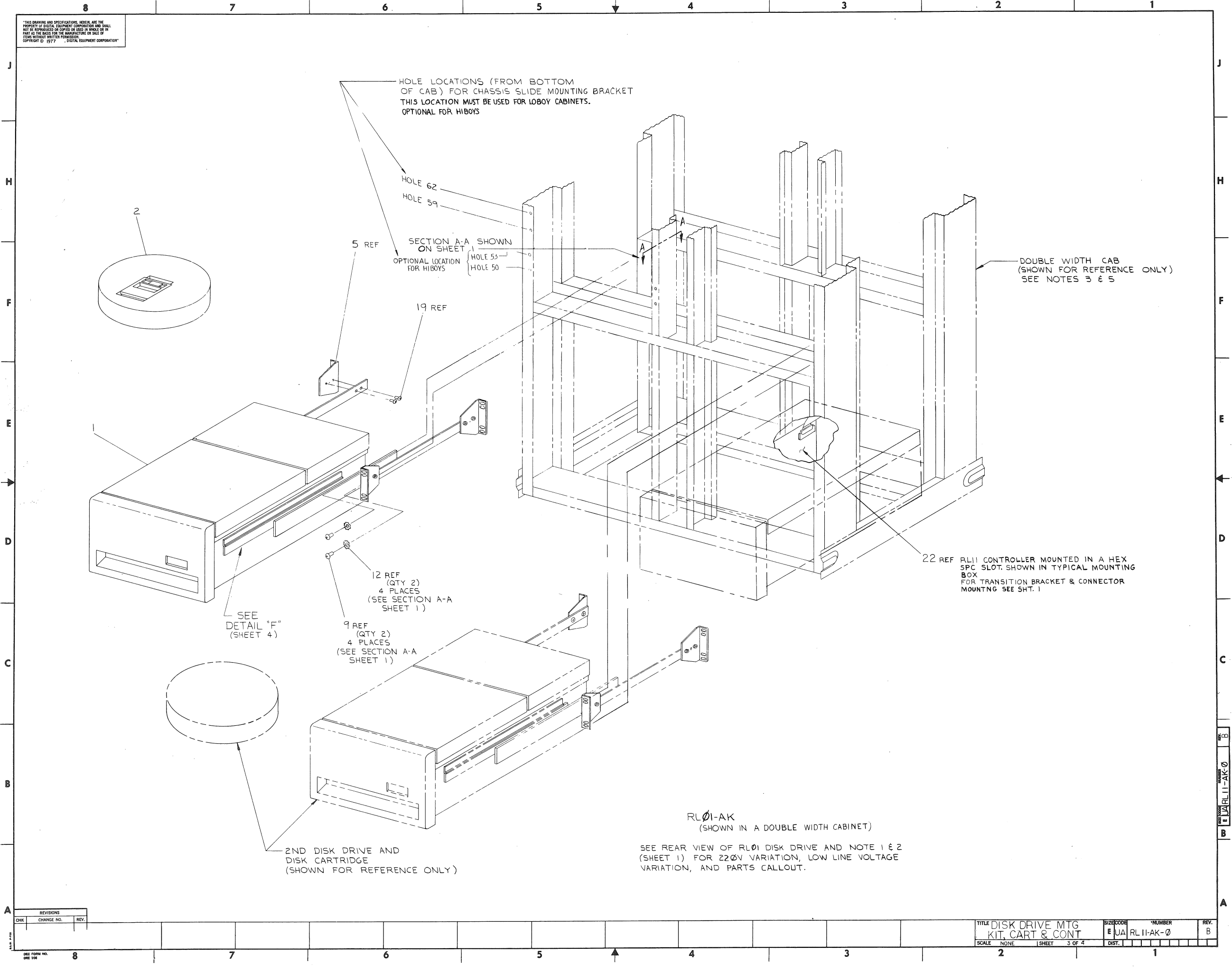
LENGTH	PART NO.
20 FEET	7012122-20
40 FEET	7012122-40
60 FEET	7012122-60

 TOTAL LENGTH OF CABLE(S) NOT TO EXCEED 100 FEET



REV.	NO.	DATE	BY	CHKD.	REVISIONS

THIS DRAWING AND SPECIFICATIONS HEREIN ARE THE PROPERTY OF DIGITAL EQUIPMENT CORPORATION AND SHALL NOT BE REPRODUCED OR COPIED OR USED IN WHOLE OR IN PART AS THE BASIS FOR THE MANUFACTURE OR SALE OF ITEMS WITHOUT WRITTEN PERMISSION. COPYRIGHT © 1977 DIGITAL EQUIPMENT CORPORATION

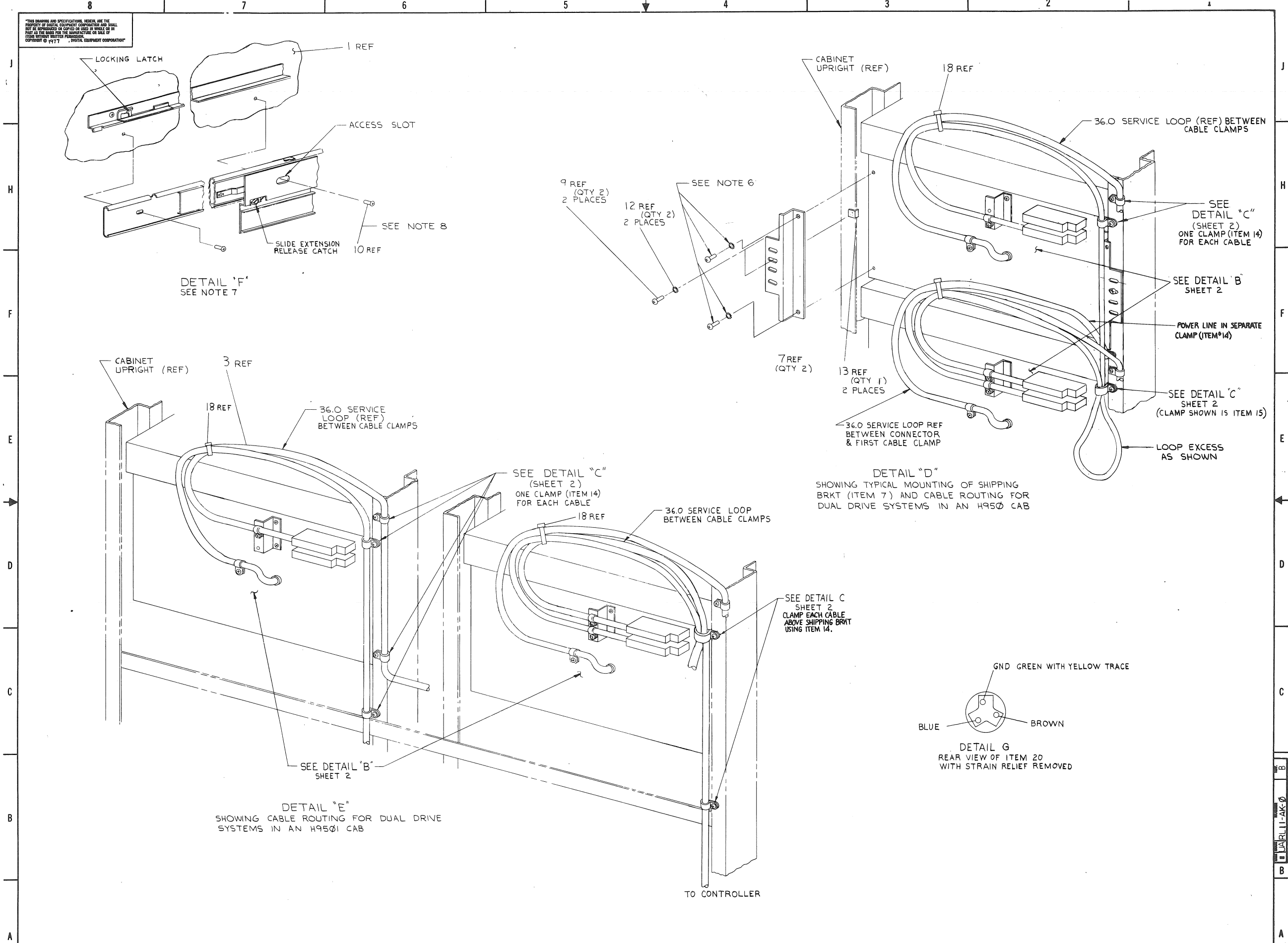


REVISIONS		
CHK	CHANGE NO.	REV.

TITLE DISK DRIVE MTG KIT, CART & CONT		SIZE CODE E UA	NUMBER RL11-AK-0	REV. B
SCALE NONE	SHEET 3 OF 4	DIST.	1	

DEC FORM NO. 108 108

THIS DRAWING AND SPECIFICATIONS HEREIN ARE THE PROPERTY OF DIGITAL EQUIPMENT CORPORATION AND SHALL NOT BE REPRODUCED OR COPIED OR USED IN WHOLE OR IN PART AS THE BASIS FOR THE MANUFACTURE OR SALE OF ITEMS WITHOUT WRITTEN PERMISSION OF DIGITAL EQUIPMENT CORPORATION © 1977



REVISIONS		
CHK	CHANGE NO.	REV.

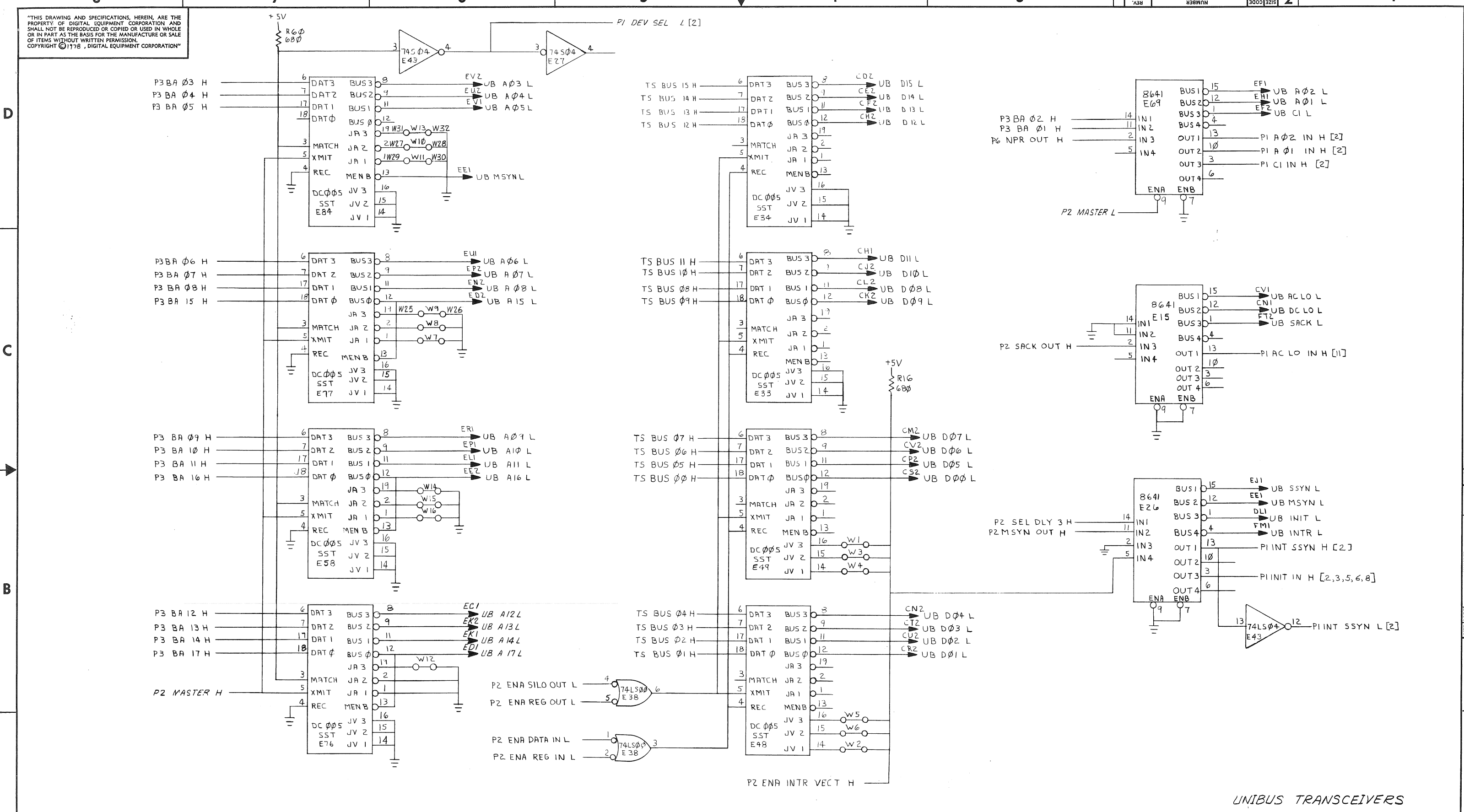
DEC FORM NO. 128

TITLE	DISK DRIVE MTG. KIT, CART & CONT	SIZE	CODE	NUMBER	REV.
SCALE	NONE	SHEET	4 OF 4	DIST.	1

B  
 11-11-AK-0  
 B



"THIS DRAWING AND SPECIFICATIONS, HEREIN, ARE THE PROPERTY OF DIGITAL EQUIPMENT CORPORATION AND SHALL NOT BE REPRODUCED OR COPIED OR USED IN WHOLE OR IN PART AS THE BASIS FOR THE MANUFACTURE OR SALE OF ITEMS WITHOUT WRITTEN PERMISSION. COPYRIGHT © 1978, DIGITAL EQUIPMENT CORPORATION"



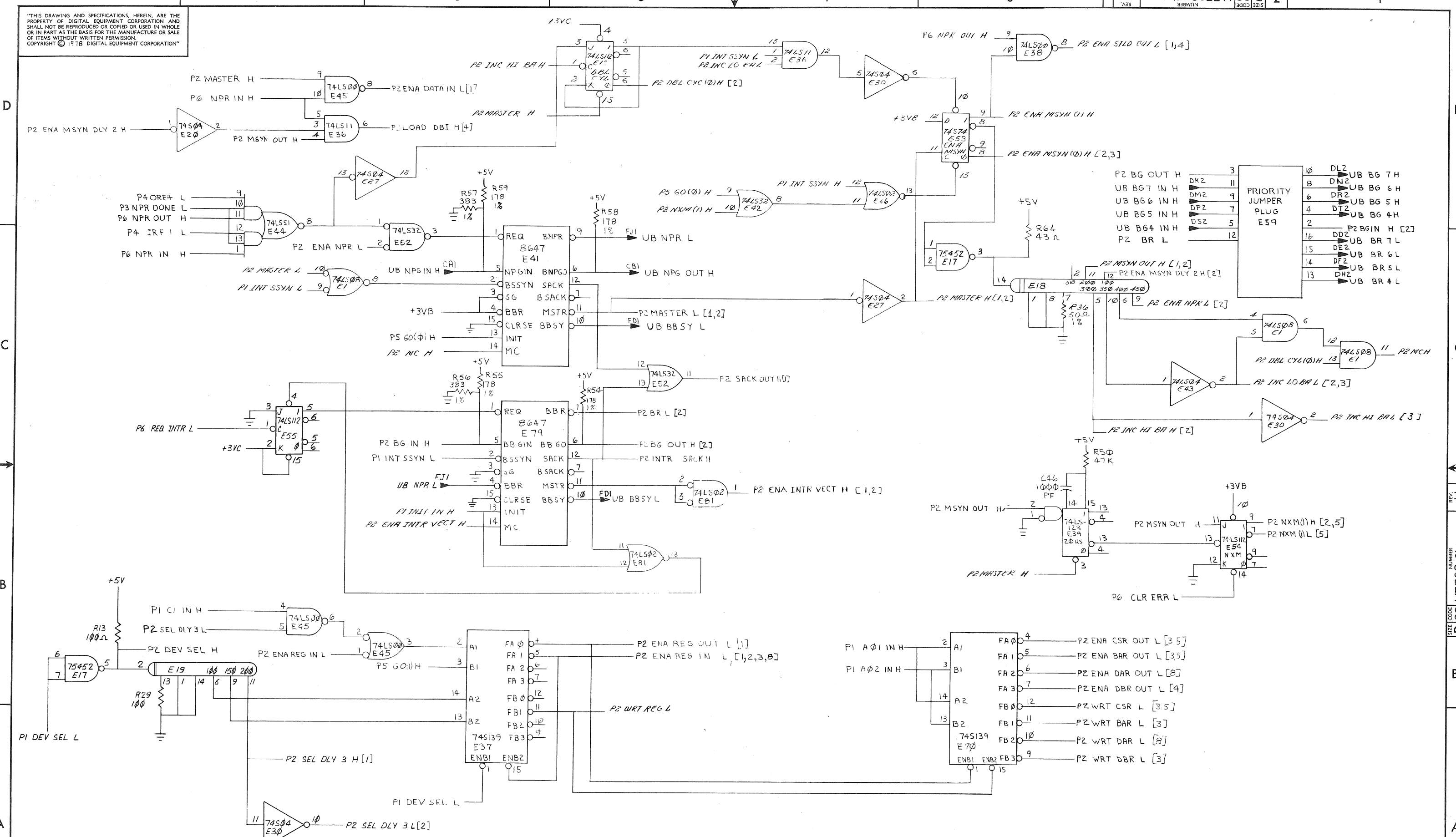
UNIBUS TRANSCEIVERS

REV.	CHG	NO.	DATE	BY	CHK
E		0001	23 SEPT 77		
F		0002	19-4-77		
G		0003	11-17-77		
H		0003	13 FEB 78		
I					
J					
K					
L					
M					

REV.	NO.	DATE	BY	CHK
F1				
J				
K				
L				
M				

DRN. 11023	FIRST USED ON	RLII digital
CHK'D 6/10/77	TITLE	(PI) RLII CONTROLLER
ENG. 8/10/77	SCALE	++
PROJ. ENG. 8/10/77	SIZE CODE	D CS
PROD. 8/10/77	NUMBER	M7762-0-1
NEXT HIGHER ASSY.	SHEET	1 OF 11
B-DD-M7762-0	REV.	M
DIST.		

"THIS DRAWING AND SPECIFICATIONS, HEREIN, ARE THE PROPERTY OF DIGITAL EQUIPMENT CORPORATION AND SHALL NOT BE REPRODUCED OR COPIED OR USED IN WHOLE OR IN PART AS THE BASIS FOR THE MANUFACTURE OR SALE OF ITEMS WITHOUT WRITTEN PERMISSION. COPYRIGHT © 1978 DIGITAL EQUIPMENT CORPORATION"



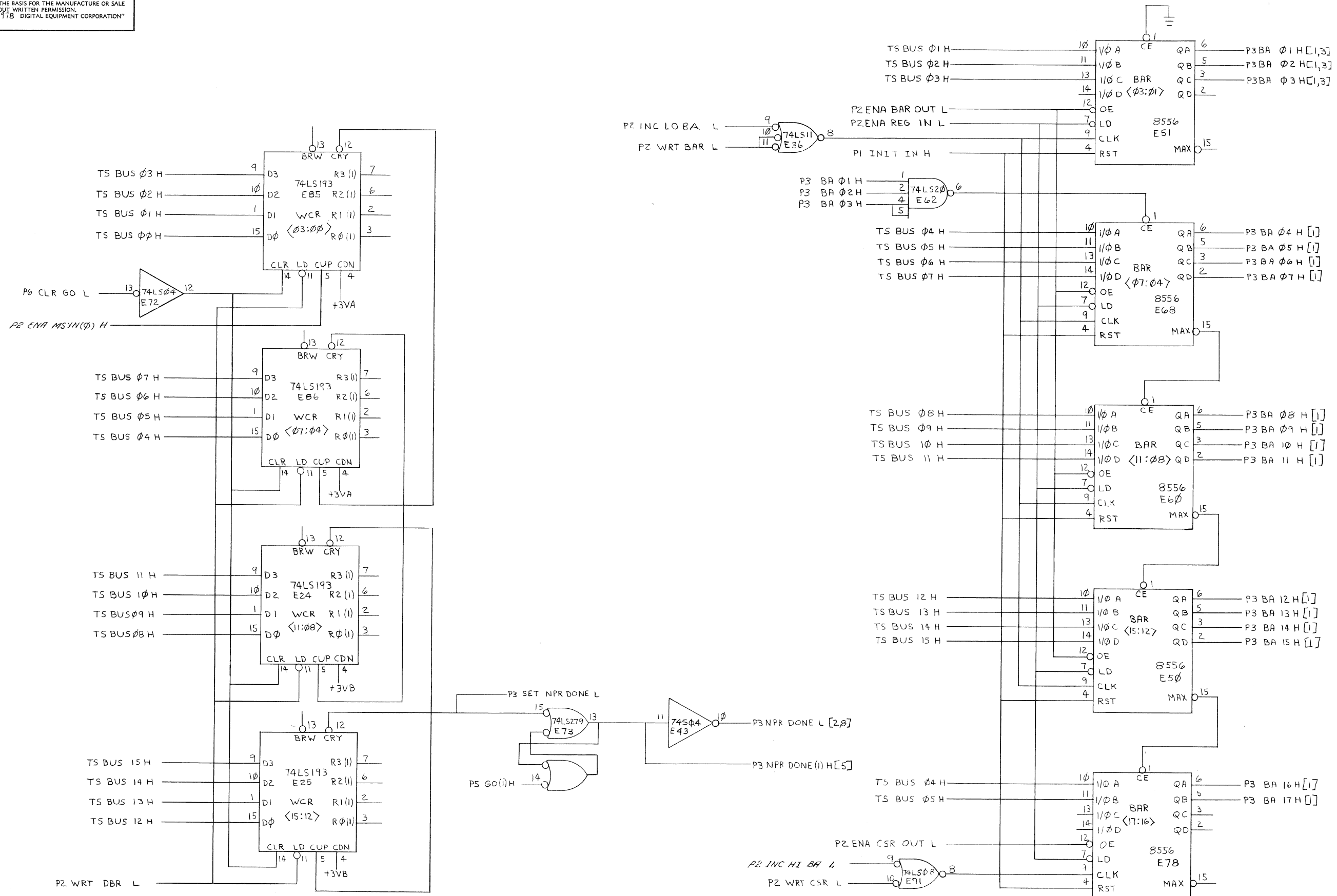
REGISTER DECODE AND NPR CONTROL

REVISIONS		
CHK	CHANGE NO.	REV.

BLN P-1146	DEC FORM NO. DRD 138	8	7	6	5	4	3	2	1	
TITLE RLII CONTROLLER (P2)								SIZE CODE DCS	NUMBER M7762-0-1	REV. M
SCALE								SHEET 2	OF 11	DIST.



"THIS DRAWING AND SPECIFICATIONS, HEREIN, ARE THE PROPERTY OF DIGITAL EQUIPMENT CORPORATION AND SHALL NOT BE REPRODUCED OR COPIED OR USED IN WHOLE OR IN PART AS THE BASIS FOR THE MANUFACTURE OR SALE OF ITEMS WITHOUT WRITTEN PERMISSION. COPYRIGHT © 1978 DIGITAL EQUIPMENT CORPORATION"

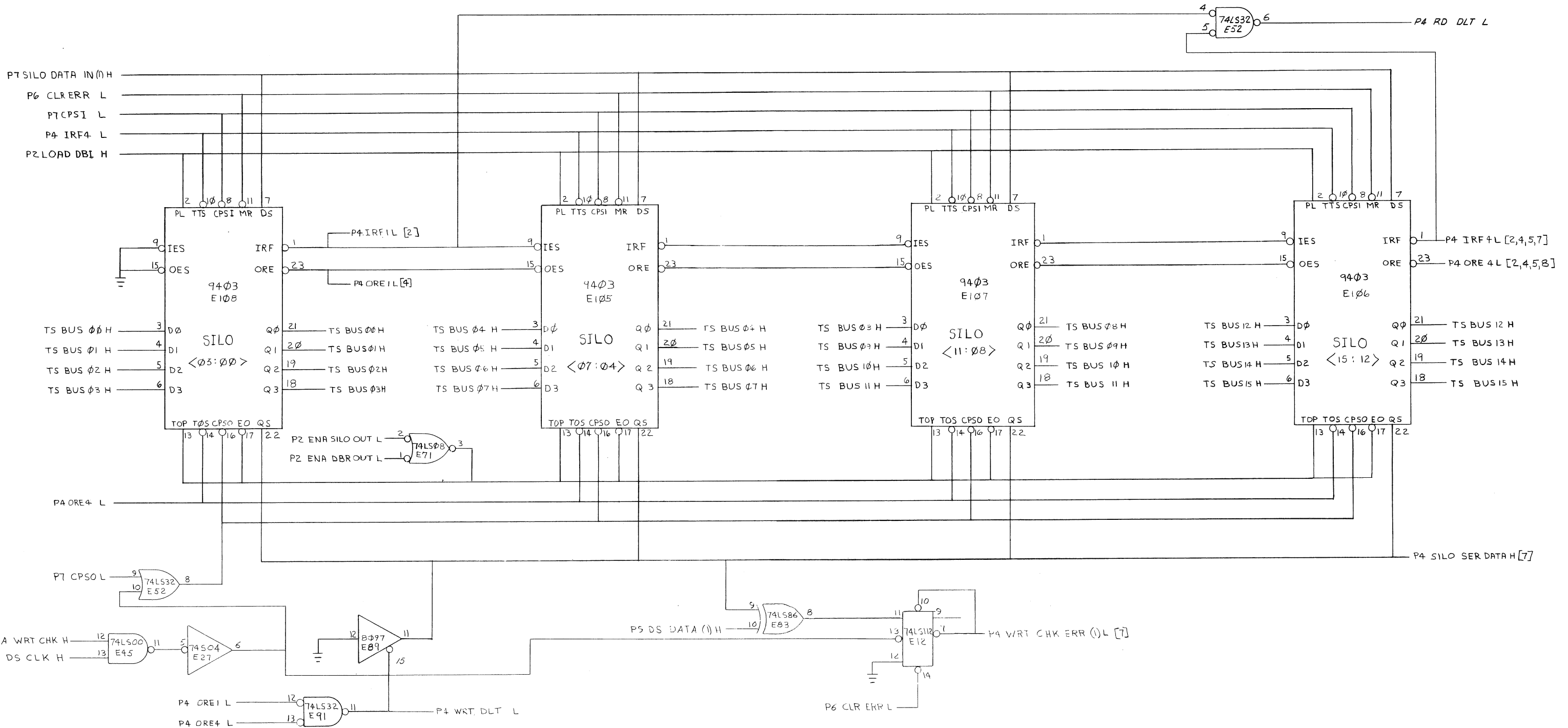


WORD COUNT REGISTER AND BUS ADDRESS REGISTER

REVISIONS		
CHK	CHANGE NO.	REV.

TITLE	RLII CONTROLLER (P3)	SIZE CODE	DCS	NUMBER	M7762-0-1	REV.	M
SCALE	1:1	SHEET	3 OF 11	DIST.			

"THIS DRAWING AND SPECIFICATIONS, HEREIN, ARE THE PROPERTY OF DIGITAL EQUIPMENT CORPORATION AND SHALL NOT BE REPRODUCED OR COPIED OR USED IN WHOLE OR IN PART AS THE BASIS FOR THE MANUFACTURE OR SALE OF ITEMS WITHOUT WRITTEN PERMISSION. COPYRIGHT © 1978 DIGITAL EQUIPMENT CORPORATION"

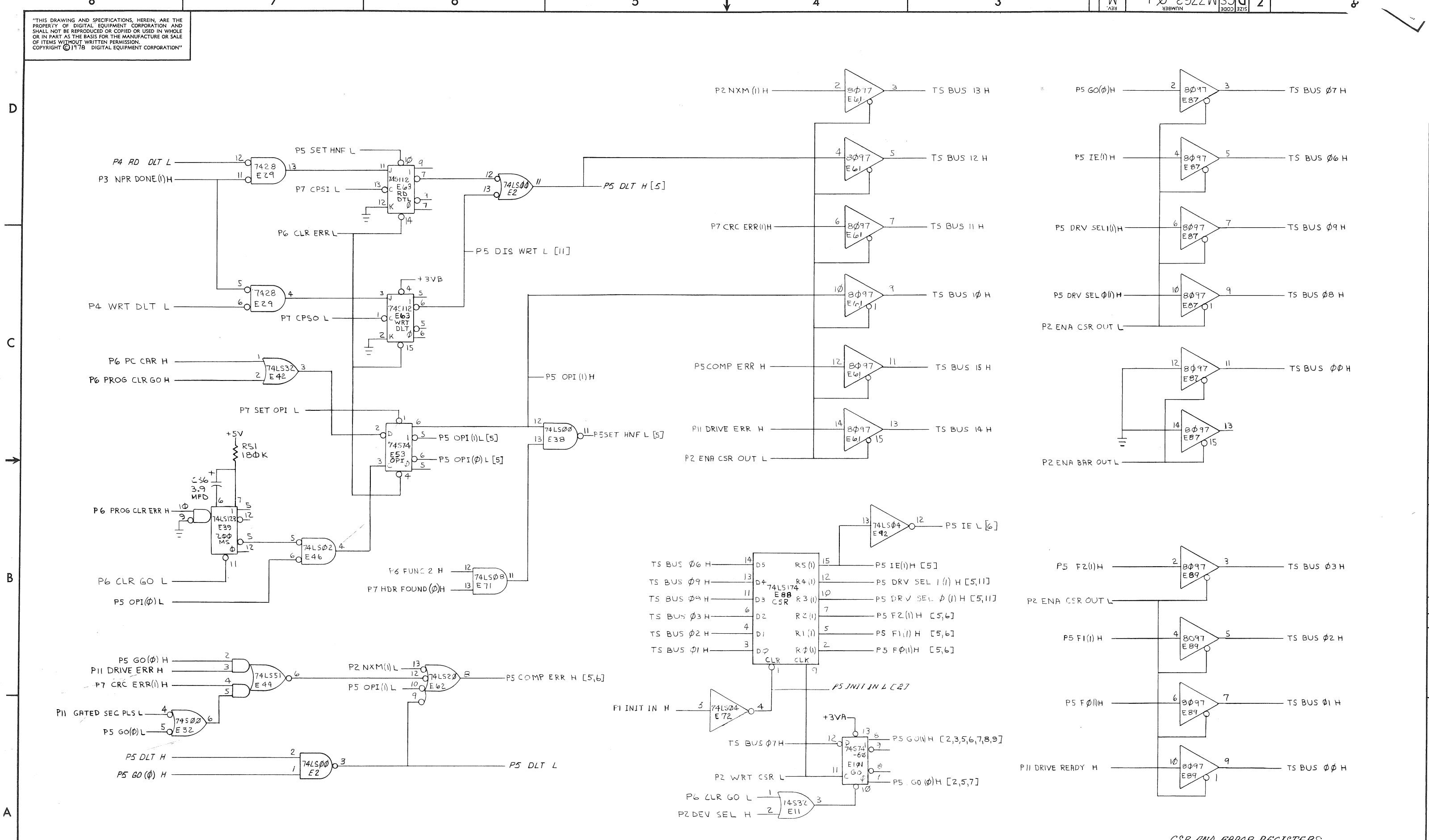


SILO

REVISIONS		
CHK	CHANGE NO.	REV.

TITLE	RLII CONTROLLER (P4)	SIZE CODE	D CS	NUMBER	M7762-0-1	REV.	M
SCALE	++	SHEET	4 OF 11	DIST.			

"THIS DRAWING AND SPECIFICATIONS, HEREIN, ARE THE PROPERTY OF DIGITAL EQUIPMENT CORPORATION AND SHALL NOT BE REPRODUCED OR COPIED OR USED IN WHOLE OR IN PART AS THE BASIS FOR THE MANUFACTURE OR SALE OF ITEMS WITHOUT WRITTEN PERMISSION. COPYRIGHT © 1978 DIGITAL EQUIPMENT CORPORATION"



CSR AND ERROR REGISTERS

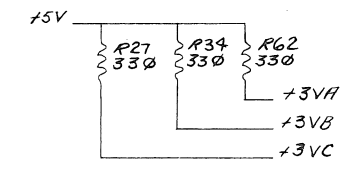
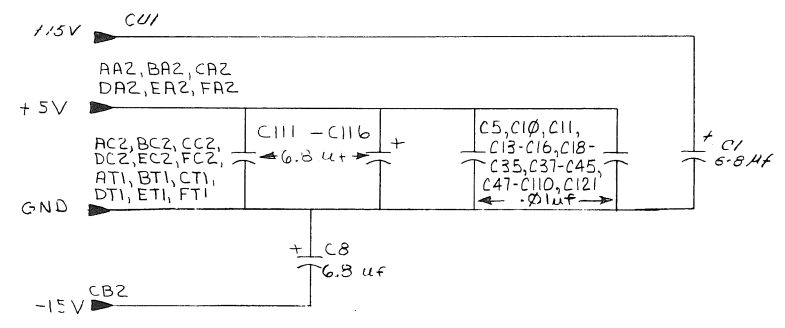
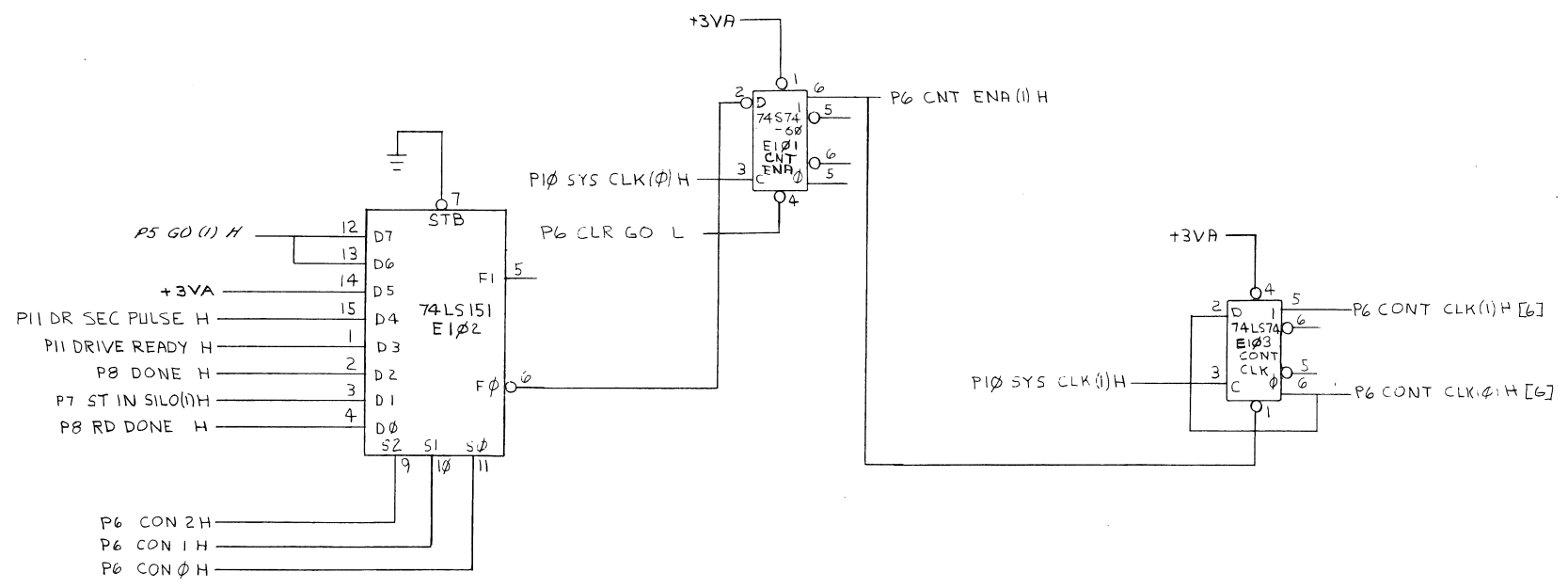
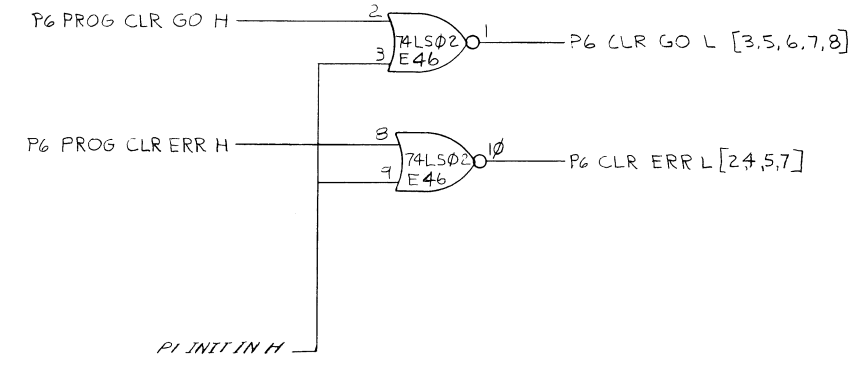
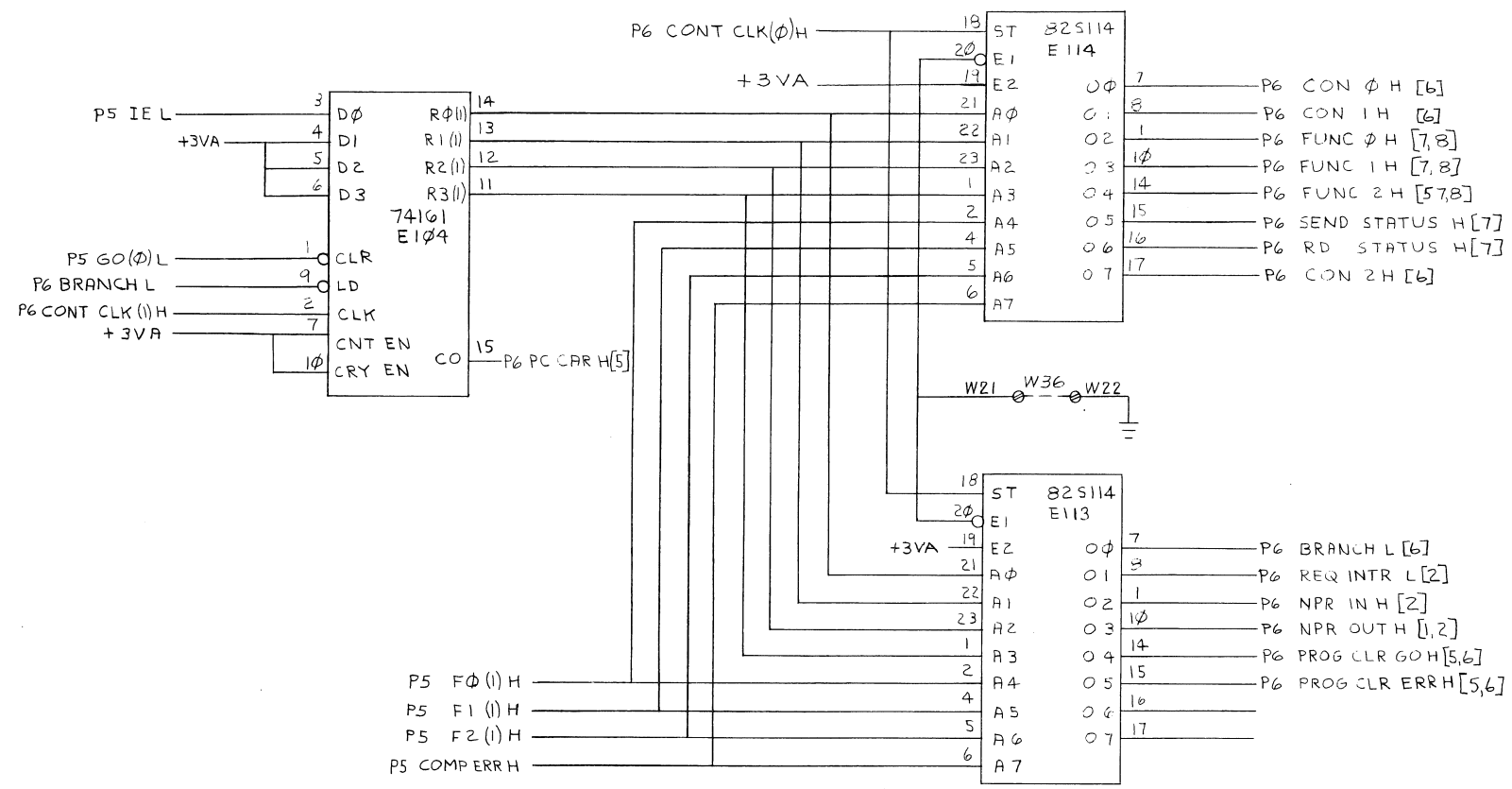
REVISIONS		
CHK	CHANGE NO.	REV.

TITLE	RL11 CONTROLLER (P5)	SIZE CODE	D CS	NUMBER	M7762-0-1	REV.	M
SCALE	++	SHEET	5 OF 11	DIST.			

THIS DRAWING AND SPECIFICATIONS, HEREIN, ARE THE PROPERTY OF DIGITAL EQUIPMENT CORPORATION AND SHALL NOT BE REPRODUCED OR COPIED OR USED IN WHOLE OR IN PART AS THE BASIS FOR THE MANUFACTURE OR SALE OF ITEMS WITHOUT WRITTEN PERMISSION. COPYRIGHT © 1978 DIGITAL EQUIPMENT CORPORATION

D  
C  
B  
A

D  
C  
B  
A



MICRO SEQUENCER FUNCTION CONTROL

REVISIONS		
CHK	CHANGE NO.	REV.

TITLE	RLII CONTROLLER (P6)	SIZE CODE	D CS	NUMBER	M7762-0-1	REV.	M
SCALE	1	SHEET	6	OF	11	DIST.	

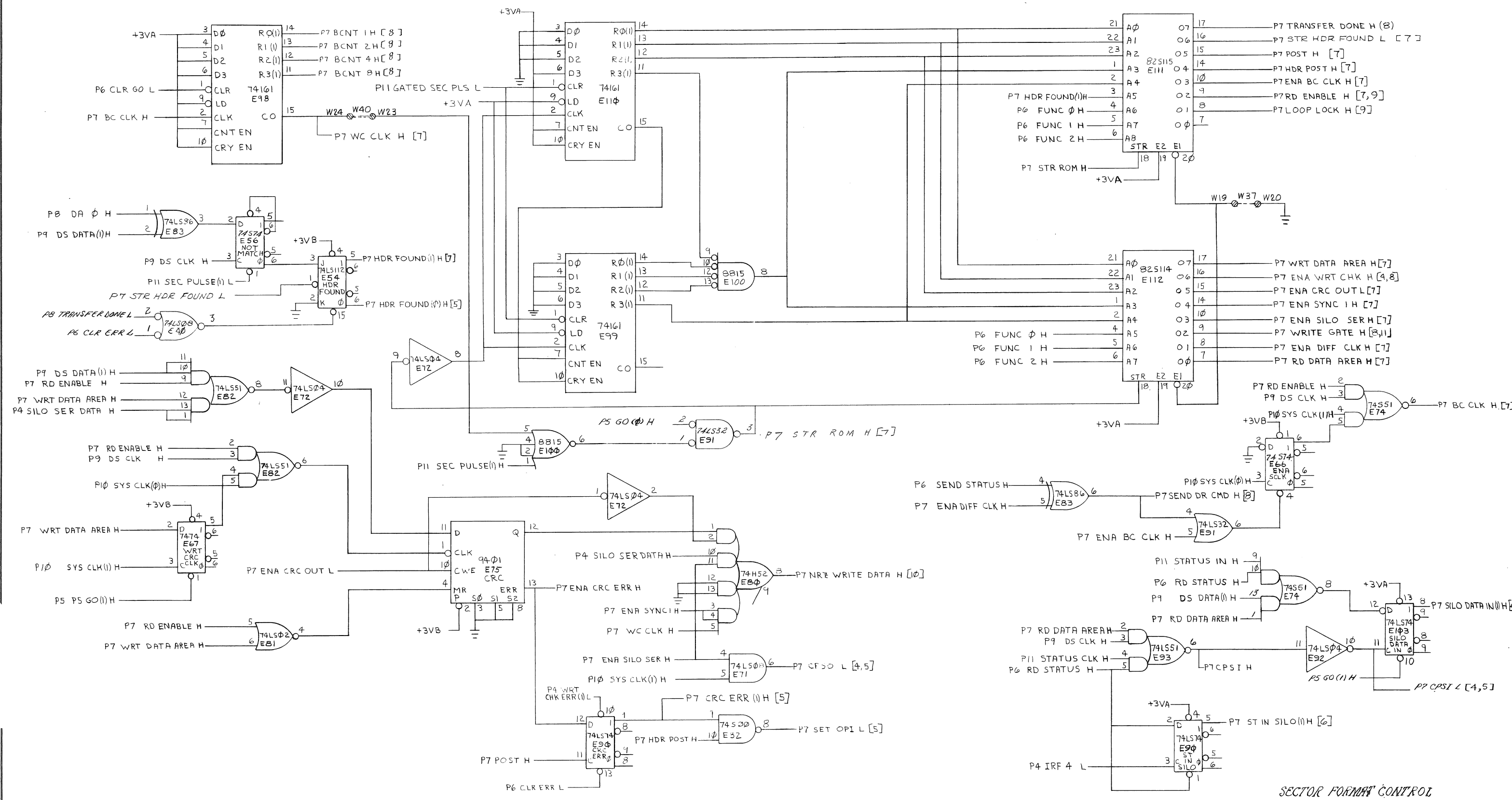
"THIS DRAWING AND SPECIFICATIONS, HEREIN, ARE THE PROPERTY OF DIGITAL EQUIPMENT CORPORATION AND SHALL NOT BE REPRODUCED OR COPIED OR USED IN WHOLE OR IN PART AS THE BASIS FOR THE MANUFACTURE OR SALE OF ITEMS WITHOUT WRITTEN PERMISSION. COPYRIGHT © 1978 DIGITAL EQUIPMENT CORPORATION"

D

C

B

A

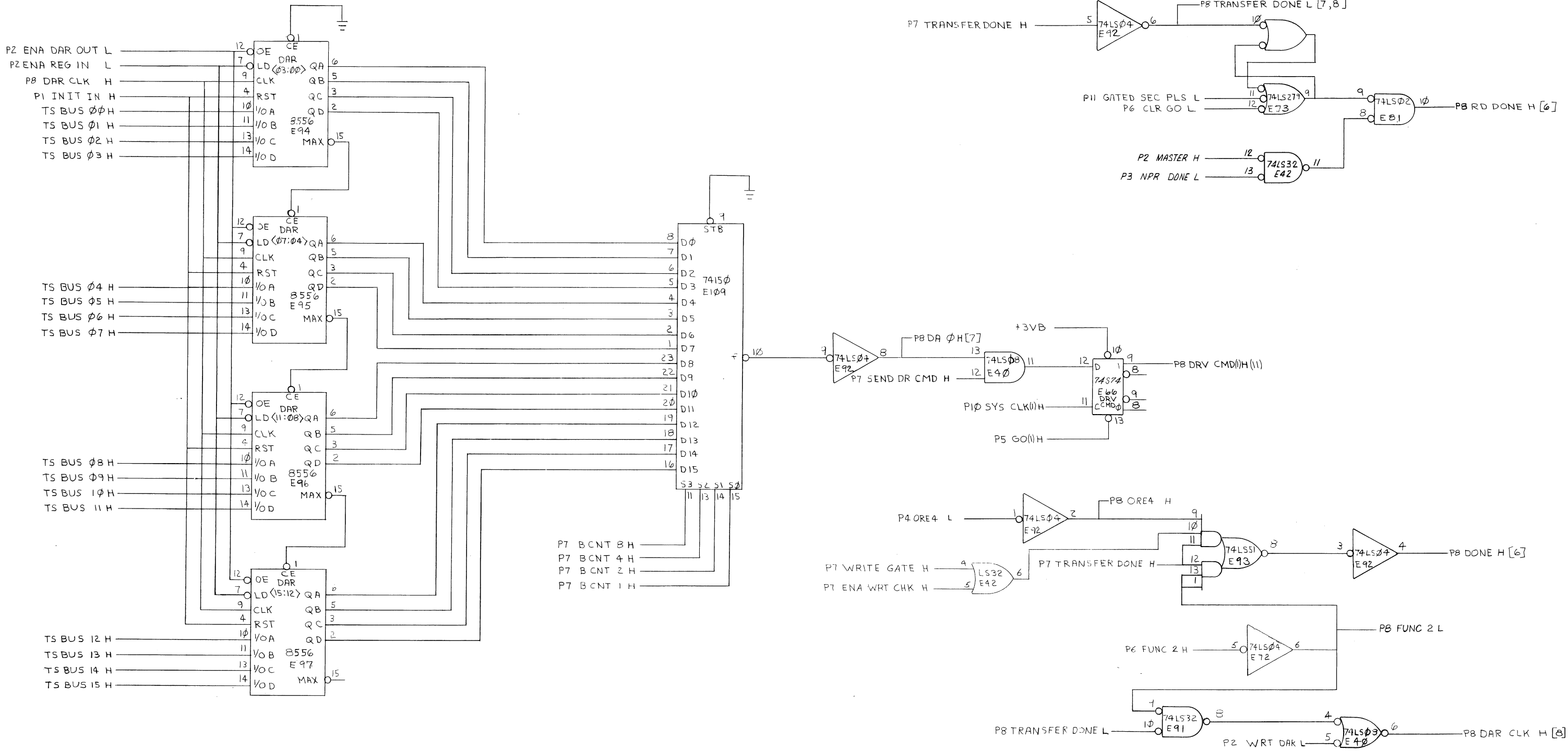


SECTOR FORMAT CONTROL

REVISIONS		
CHK	CHANGE NO.	REV.

TITLE	RLII CONTROLLER (P7)	SIZE CODE	D CS	NUMBER	M7762-0-1	REV.	M
SCALE	#	SHEET	7	OF	11	DIST.	

"THIS DRAWING AND SPECIFICATIONS, HEREIN, ARE THE PROPERTY OF DIGITAL EQUIPMENT CORPORATION AND SHALL NOT BE REPRODUCED OR COPIED OR USED IN WHOLE OR IN PART AS THE BASIS FOR THE MANUFACTURE OR SALE OF ITEMS WITHOUT WRITTEN PERMISSION. COPYRIGHT © 1978 DIGITAL EQUIPMENT CORPORATION"



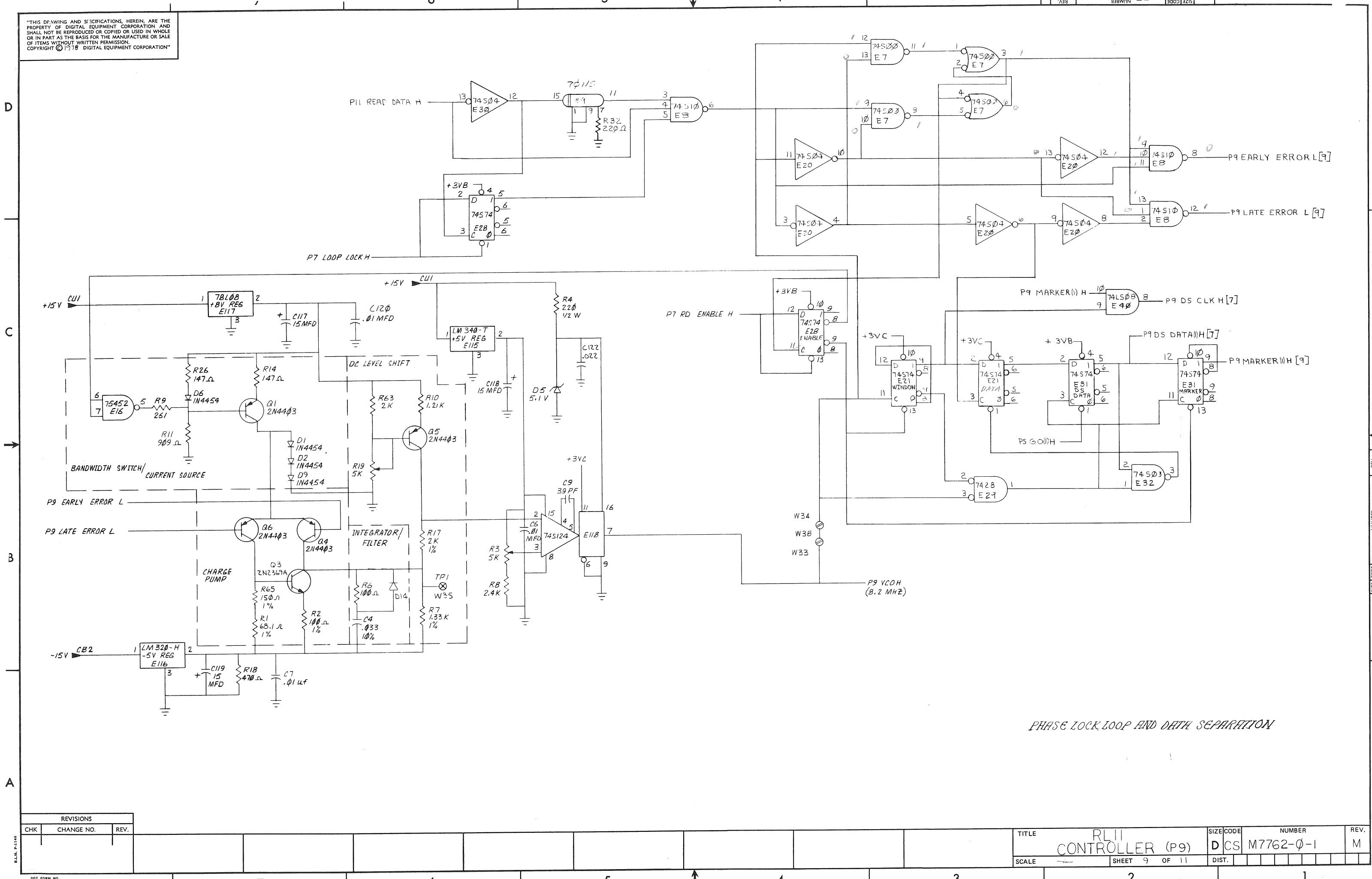
DAR AND DRIVE COMMAND ; FUNCTION TERMINATION

REVISIONS			TITLE		SIZE	CODE	NUMBER		REV.
CHK	CHANGE NO.	REV.	RLII CONTROLLER (P8)		D	CS	M7762-0-1		M
			SCALE	#	SHEET	8	OF	11	DIST.

BLM, P1146

REV. M  
NUMBER DCS M7762-0-1  
SIZE CODE DCS

"THIS DRAWING AND SPECIFICATIONS, HEREIN, ARE THE PROPERTY OF DIGITAL EQUIPMENT CORPORATION AND SHALL NOT BE REPRODUCED OR COPIED OR USED IN WHOLE OR IN PART AS THE BASIS FOR THE MANUFACTURE OR SALE OF ITEMS WITHOUT WRITTEN PERMISSION. COPYRIGHT © 1978 DIGITAL EQUIPMENT CORPORATION"

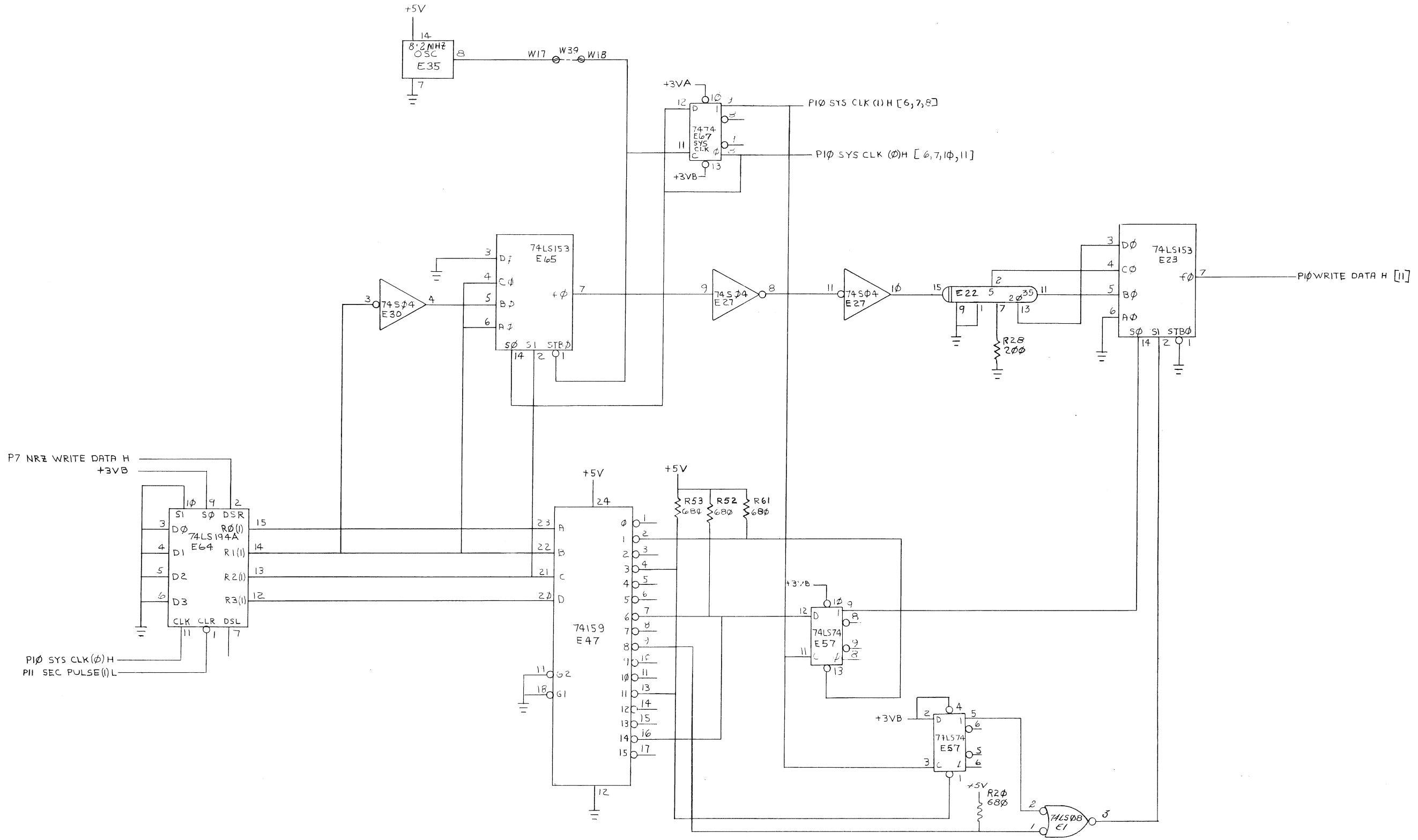


PHASE LOCK LOOP AND DATA SEPARATION

REVISIONS		
CHK	CHANGE NO.	REV.

TITLE	RL11 CONTROLLER (P9)	SIZE CODE	D CS	NUMBER	M7762-0-1	REV.	M
SCALE		SHEET	9	OF	11	DIST.	

"THIS DRAWING AND SPECIFICATIONS, HEREIN, ARE THE PROPERTY OF DIGITAL EQUIPMENT CORPORATION AND SHALL NOT BE REPRODUCED OR COPIED OR USED IN WHOLE OR IN PART AS THE BASIS FOR THE MANUFACTURE OR SALE OF ITEMS WITHOUT WRITTEN PERMISSION. COPYRIGHT © 1978 DIGITAL EQUIPMENT CORPORATION"



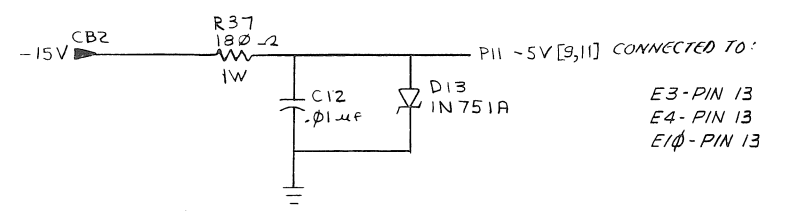
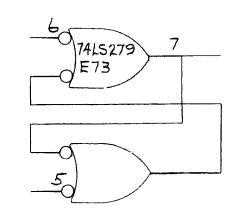
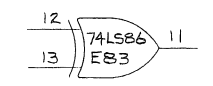
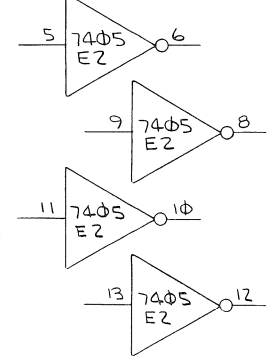
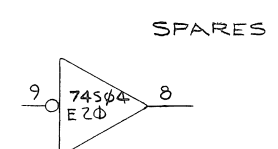
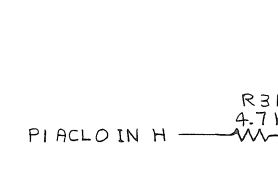
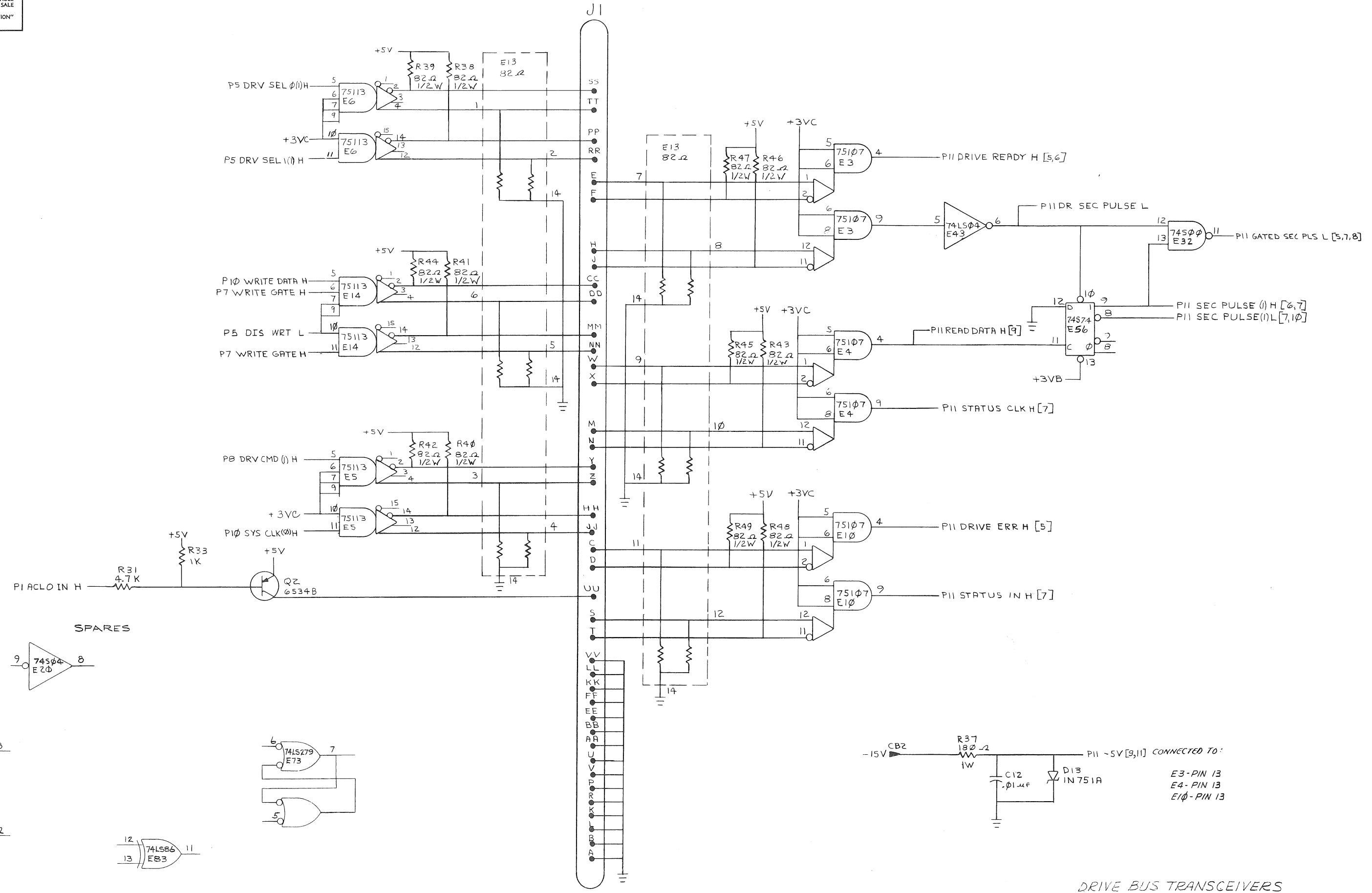
WRITE DATA ENCODE AND PRECOMPENSATION

REVISIONS		
CHK	CHANGE NO.	REV.



"THIS DRAWING AND SPECIFICATIONS, HEREIN, ARE THE PROPERTY OF DIGITAL EQUIPMENT CORPORATION AND SHALL NOT BE REPRODUCED OR COPIED OR USED IN WHOLE OR IN PART AS THE BASIS FOR THE MANUFACTURE OR SALE OF ITEMS WITHOUT WRITTEN PERMISSION. COPYRIGHT © 1978 DIGITAL EQUIPMENT CORPORATION"

D  
C  
B  
A



DRIVE BUS TRANSCEIVERS

REVISIONS		
CHK	CHANGE NO.	REV.

REV. M  
NUMBER DCS M7762-0-1

## DIGITAL EQUIPMENT CORPORATION PARTS LIST

MADE BY D. MAYUSKI DATE 7 MAR 77	CHECKED P. BOSSMAN DATE 29 MAR 77	SECTION 1
ENG C. LIU DATE 8 APR 77	PROD R. STROTT DATE 8 APR 77	ISSUED SECTION 1

ITEM NO.	DRAWING NO.	PART NO.	DESCRIPTION
	D-CS-M762-0-1		CIRCUIT SCHEMATIC
	D-UA-M762-0-0		UNIT ASSEMBLY
	D-DD-M762-0		DRAWING DIRECTORY
	D-MD-5012167-0-0		DRILL AND ETCH DRAWING
			ETCHED CIRCUIT BOARD
1	5012167		REF 1
2	1001610-00		REF 103
3	1005306-00		REF 8
4	1000042-00		REF 1
5	1004812-00		REF 3
6	1000010-00		REF 1
7	11-14117		REF 1
8	<del>112121-00</del>		<del>±</del>
9	1000050-00		REF 1
10	1111577-00		REF 4
11	1110994-00		REF 2
12			
13			
14			
15	1209838-00		REF 1
16	1209941-02		REF 1
17	1209941-03		REF 1
18	1209941-04		REF 1
19	1210711-02		REF 1
20	1300005-05		REF 1
21	1309143-09		REF 2
22	1301781-00		REF 12
23	1301424-00		REF 6

1000050-00  
 1111577-00  
 1110994-00  
 1209838-00  
 1209941-02  
 1209941-03  
 1209941-04  
 1210711-02  
 1300005-05  
 1309143-09  
 1301781-00  
 1301424-00

THIS DRAWING AND SPECIFICATIONS, HEREIN, ARE THE PROPERTY OF DIGITAL EQUIPMENT CORPORATION AND SHALL NOT BE REPRODUCED OR COPIED OR USED IN WHOLE OR IN PART AS THE BASIS FOR THE MANUFACTURE OR SALE OF ITEMS WITHOUT WRITTEN PERMISSION. COPYRIGHT © 1978, DIGITAL EQUIPMENT CORPORATION.

DRB 125

NOTES:

QUANTITY / VARIATION

USED ON: OPTION/MODEL RL11

REF DESIGNATION

C5, C6, C7, C10-C16, C18-C35, C47-C110, C120, C37-C45, C1, C8, C111-C116

C46

C117, C118, C119

C9

D14

~~C3~~

C4

D1, D2, D6, D9

D5, D13

E59

J1

E13

R3, R19

R38-R49

R16, R20, R53, R60, R61, R52

SIZE  
**B PL**

CODE  
**PL**

NUMBER  
M7762-0-0

REV.  
L

ASSY NO.  
D-UA-M7762-0-0

SHEET 1 OF 5

TITLE  
RL11 CONTROLLER

INSERTION PARTS LIST DATA BASE REV

## DIGITAL EQUIPMENT CORPORATION PARTS LIST

MADE BY D. MAYUSKI DATE 7 MAR 77	CHECKED P. BOSSMAN DATE 29 MAR 77	SECTION 1
ENG C. LIU DATE 8 APR 77	PROD R. STROTT DATE 8 APR 77	ISSUED SECTION 1

ITEM NO.	DRAWING NO.	PART NO.	DESCRIPTION
24		1300295-00	RES., 330, 1/4W, 5%
25		1311522-00	RES., 200, 1/4W, 5%
26		1311422-00	RES., 178, 1/4W, 1%
27		1305125-00	RES., 383, 1/4W, 1%
28		1300229-00	RES., 100, 1/4W, 5%
29		1300262-00	RES., 180, 1W, 5%
30			
31			
32		1302858-00	RES., 100, 1/4W, 1%
33		15-03226-00	RES., 68.1, 1/4W, 1%
34		1300274-00	RES., 220, 1/4W, 5%
35		1310630-00	RES., 1.33K, 1/4W, 1%
36		1302871-00	RES., 1.21K, 1/4W, 1%
37		1302685-00	RES., 909, 1/4W, 1%
38		<del>1300417-00</del>	<del>RES., 2.2K, 1/4W, 5%</del>
39		<del>1301972-00</del>	<del>RES., 270, 1/4W, 5%</del>
40		1300411-00	RES., 2K, 1/4W, 1%
41			
42		1300365-00	RES., 1K, 1/4W, 5%
43			
44			
45			
46		1300447-00	RES., 4.7K, 1/4W, 5%
47		1300271-00	RES., 220, 1/4W, 5%
48		<del>1302388-00</del>	<del>RES., 2K, 1/4W, 5%</del>
49		1302177-00	RES., 47K, 1/4W, 5%
50		1302397-00	RES., 180K, 1/4W, 5%

1300295-00  
 1311522-00  
 1311422-00  
 1305125-00  
 1300229-00  
 1300262-00  
 1302858-00  
 15-03226-00  
 1300274-00  
 1310630-00  
 1302871-00  
 1302685-00  
 1300417-00  
 1301972-00  
 1300411-00  
 1300365-00  
 1300447-00  
 1300271-00  
 1302388-00  
 1302177-00  
 1302397-00

THIS DRAWING AND SPECIFICATIONS, HEREIN, ARE THE PROPERTY OF DIGITAL EQUIPMENT CORPORATION AND SHALL NOT BE REPRODUCED OR COPIED OR USED IN WHOLE OR IN PART AS THE BASIS FOR THE MANUFACTURE OR SALE OF ITEMS WITHOUT WRITTEN PERMISSION. COPYRIGHT © 1978, DIGITAL EQUIPMENT CORPORATION.

DRB 125

NOTES:

QUANTITY / VARIATION

USED ON: OPTION/MODEL RL11

REF DESIGNATION

R27, R34, R62

R28

R54, R55, R58, R59

R56, R57

R29, R13

R37

R2, R6

R1

R4

R7

R10

R11

~~R12~~

~~R15~~

R17, R63

R33

R31

R32

~~R35~~

R50

R51

SIZE  
**B PL**

CODE  
**PL**

NUMBER  
M7762-0-0

REV.  
L

ASSY NO.  
D-UA-M7762-0-0

SHEET 2 OF 5

TITLE  
RL11 CONTROLLER

INSERTION PARTS LIST DATA BASE REV