

**digital**

## **H960-C**

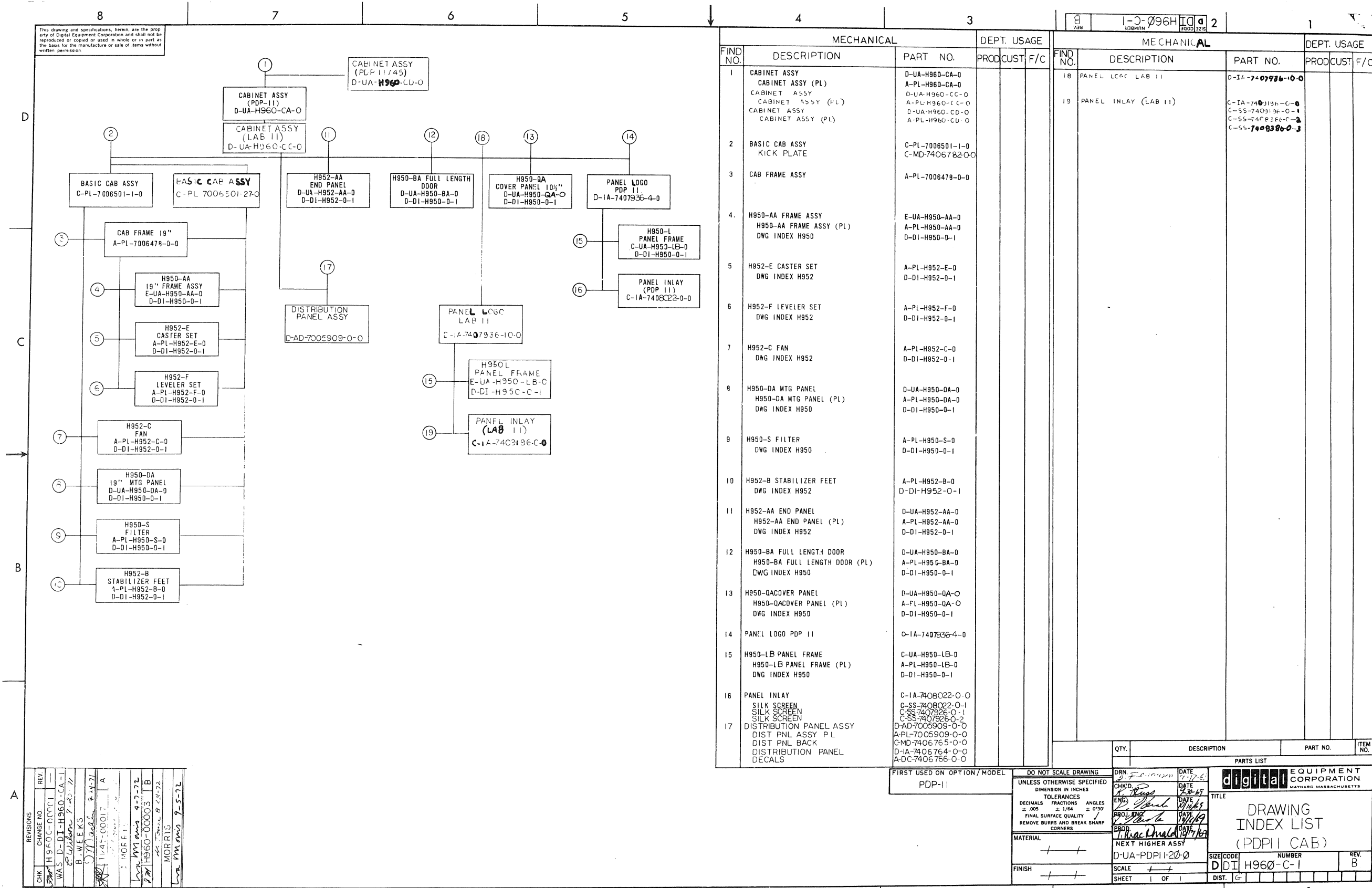
**Engineering Drawings**  
**Digital Equipment Corporation**

The material herein is for information purposes only and is subject to change without notice. Digital Equipment Corporation assumes no responsibility for any errors which may appear herein.

These drawings and specifications herein are the property of Digital Equipment Corporation and shall not be reproduced or copied or used in whole or in part as the basis for the manufacture or sale of items without written permission.  
Copyright © 1975, Digital Equipment Corporation



This drawing and specifications, herein, are the property of Digital Equipment Corporation and shall not be reproduced or copied or used in whole or in part as the basis for the manufacture or sale of items without written permission.

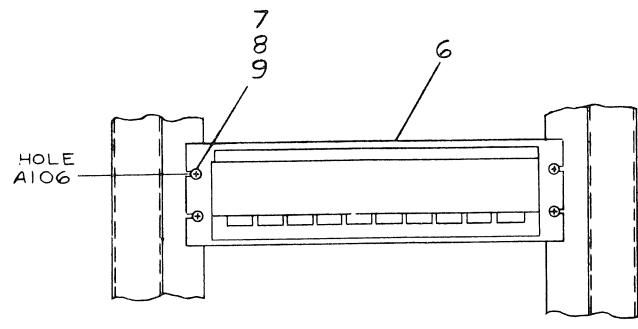
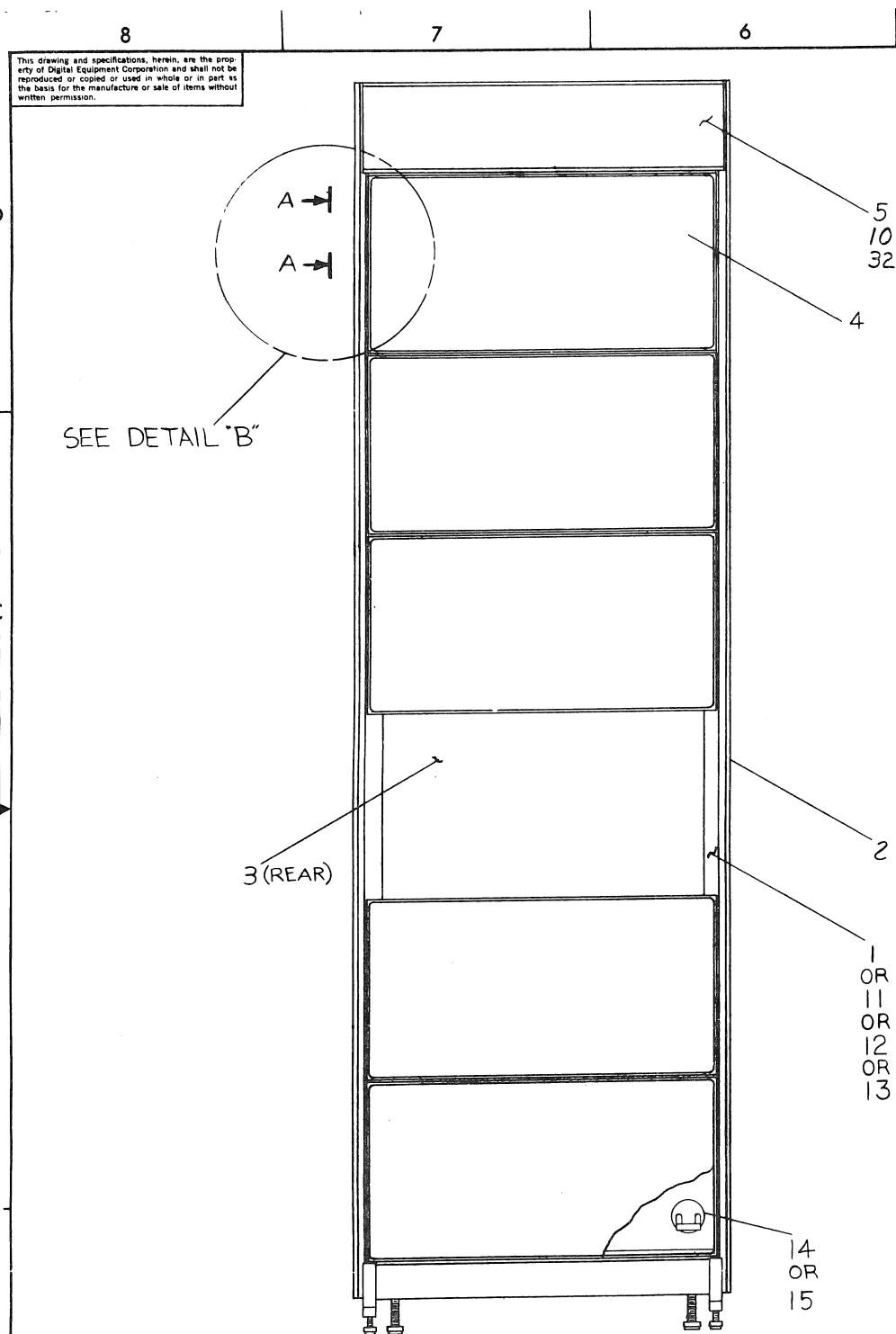


MECHANICAL			DEPT. USAGE		MECHANICAL			DEPT. USAGE			
FIND NO.	DESCRIPTION	PART NO.	PROD	CUST	F/C	FIND NO.	DESCRIPTION	PART NO.	PROD	CUST	F/C
1	CABINET ASSY (PL) CABINET ASSY (PL) CABINET ASSY (FL) CABINET ASSY (PL) CABINET ASSY (PL)	D-UA-H960-CA-0 A-PL-H960-CA-0 D-UA-H960-CC-0 A-PL-H960-CC-0 D-UA-H960-CD-0 A-PL-H960-CD-0				18	PANEL LOGO LAB II	D-IA-7407936-4-0			
2	BASIC CAB ASSY KICK PLATE	C-PL-7006501-1-0 C-MD-7406782-0-0				19	PANEL INLAY (LAB II)	C-IA-7403196-C-0 C-SS-7403196-O-1 C-SS-7403196-F-0-1 C-SS-7403196-C-2			
3	CAB FRAME ASSY	A-PL-7006478-0-0									
4	H950-AA FRAME ASSY H950-AA FRAME ASSY (PL) DWG INDEX H950	E-UA-H950-AA-0 A-PL-H950-AA-0 D-DI-H950-0-1									
5	H952-E CASTER SET DWG INDEX H952	A-PL-H952-E-0 D-DI-H952-0-1									
6	H952-F LEVELER SET DWG INDEX H952	A-PL-H952-F-0 D-DI-H952-0-1									
7	H952-C FAN DWG INDEX H952	A-PL-H952-C-0 D-DI-H952-0-1									
9	H950-DA MTG PANEL H950-DA MTG PANEL (PL) DWG INDEX H950	D-UA-H950-DA-0 A-PL-H950-DA-0 D-DI-H950-0-1									
9	H950-S FILTER DWG INDEX H950	A-PL-H950-S-0 D-DI-H950-0-1									
10	H952-B STABILIZER FEET DWG INDEX H952	A-PL-H952-B-0 D-DI-H952-0-1									
11	H952-AA END PANEL H952-AA END PANEL (PL) DWG INDEX H952	D-UA-H952-AA-0 A-PL-H952-AA-0 D-DI-H952-0-1									
12	H950-BA FULL LENGTH DOOR H950-BA FULL LENGTH DOOR (PL) DWG INDEX H950	D-UA-H950-BA-0 A-PL-H950-BA-0 D-DI-H950-0-1									
13	H950-QACOVER PANEL H950-QACOVER PANEL (PL) DWG INDEX H950	D-UA-H950-QA-0 A-PL-H950-QA-0 D-DI-H950-0-1									
14	PANEL LOGO PDP II	D-IA-7407936-4-0									
15	H950-LB PANEL FRAME H950-LB PANEL FRAME (PL) DWG INDEX H950	C-UA-H950-LB-0 A-PL-H950-LB-0 D-DI-H950-0-1									
16	PANEL INLAY SILK SCREEN SILK SCREEN SILK SCREEN	C-IA-7408022-0-0 C-SS-7408022-0-1 C-SS-7407926-0-1 C-SS-7407926-0-2									
17	DISTRIBUTION PANEL ASSY DIST PNL ASSY P/L DIST PNL BACK DISTRIBUTION PANEL DECALS	D-AD-7005909-0-0 A-PL-7005909-0-0 GMD-7406765-0-0 D-IA-7406764-0-0 A-DC-7406766-0-0									

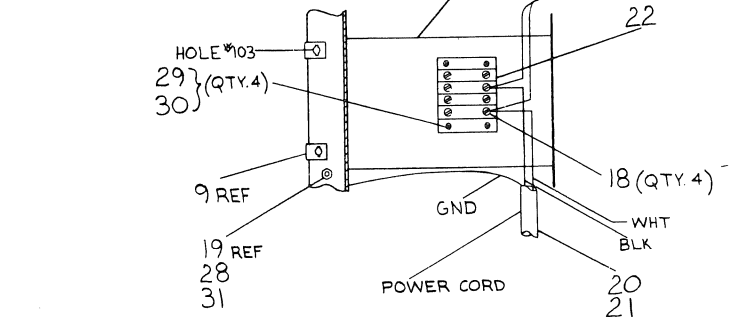
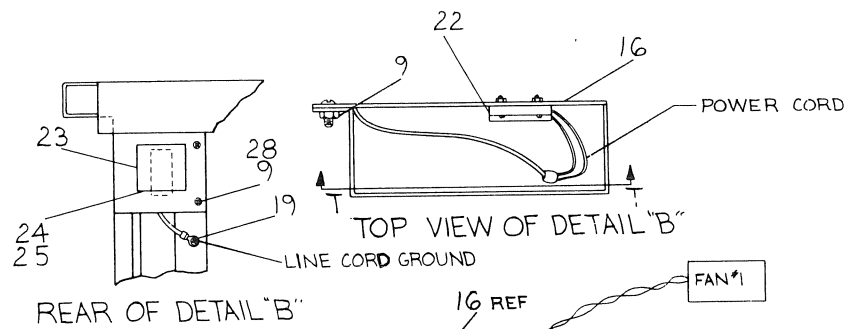
REV	CHG	NO	DATE	BY	APP	REASON
1	WAS	D-DI-H960-CA-1	7-23-72	B. WEEKS		
2	ADD	D-DI-H960-CA-1	9-24-71			
3	ADD	D-DI-H960-CA-1	9-24-71			
4	ADD	D-DI-H960-CA-1	9-24-71			
5	ADD	D-DI-H960-CA-1	9-24-71			
6	ADD	D-DI-H960-CA-1	9-24-71			
7	ADD	D-DI-H960-CA-1	9-24-71			
8	ADD	D-DI-H960-CA-1	9-24-71			

FIRST USED ON OPTION / MODEL PDP-11	DO NOT SCALE DRAWING UNLESS OTHERWISE SPECIFIED DIMENSION IN INCHES TOLERANCES DECIMALS FRACTIONS ANGLES $\pm .005$ $\pm 1/64$ $\pm 0'30"$ FINAL SURFACE QUALITY REMOVE BURRS AND BREAK SHARP CORNERS	DRN. <i>J. Mac Donald</i> DATE 7-27-72 CHK'D. <i>A. Rings</i> DATE 7-28-72 ENG. <i>J. Mac Donald</i> DATE 7/28/72 PROJ. ENGR. <i>J. Mac Donald</i> DATE 7/28/72 PROD. <i>J. Mac Donald</i> DATE 7/28/72	EQUIPMENT CORPORATION MARYLAND, MASSACHUSETTS TITLE <b>DRAWING INDEX LIST (PDP11 CAB)</b>
NEXT HIGHER ASSY D-UA-PDPI1-20-0	MATERIAL FINISH	SCALE 1 OF 1 SHEET	SIZE CODE NUMBER REV. DDI H960-C-1 B

This drawing and specifications, herein, are the property of Digital Equipment Corporation and shall not be reproduced or copied or used in whole or in part as the basis for the manufacture or sale of items without written permission.



VIEW A-A  
SCALE: NONE  
VIEW SHOWN MINUS ITEMS 2 & 7



VIEW T-T  
(FRONT OF DETAIL B)  
(115V ± 230V)  
TERM 3 FAN WIRING

- NOTES:
1. FOR DWG INDEX LIST REFER TO D-DI-H960-C-1
  2. FOR ASSEMBLY INSTRUCTIONS SEE DWG. D-OC-H950-0-0 & D-OC-H952-0-0.
  3. FOR INSTALLATION IN PDP11 SYSTEM REFER TO DWG D-UA-PDP11-20-0.

CHK	CHANGE NO.	REV
	H960-C-0001	1
	D-VA-H960-CA-0	1
	WEEKS	9-23-71
	D-VA-H960-0002	B
	WEEKS	9-28-71
	B. MINOR	2-20-75
	H960-00003	C
	B. MINOR	2-26-76
	H960-00004	D
	B. MINOR	2-26-76
	H960-C-00005	E
	B. MINOR	2-26-76
	H960-C-00006	F
	STEVENSON	12 MAR 74
	KKNOWLES	18 MAR 1978

FIRST USED ON OPTION/MODEL  
PDP11

DO NOT SCALE DRAWING  
UNLESS OTHERWISE SPECIFIED  
DIMENSION IN INCHES  
TOLERANCES  
DECIMALS FRACTIONS ANGLES  
= .005 = 1/64 = 0°30'  
FINAL SURFACE QUALITY  
REMOVE BURRS AND BREAK SHARP CORNERS

QTY.	DESCRIPTION	PART NO.	ITEM NO.
	PARTS LIST		
	digital EQUIPMENT CORPORATION MAYNARD, MASSACHUSETTS		
	TITLE CABINET ASSY (PDP11)		
	SCALE NONE	SIZE CODE DUA	NUMBER H960-C-0
	SHEET 1 OF 1	DIST.	REV. F

**DIGITAL EQUIPMENT CORPORATION**  
MAYNARD, MASSACHUSETTS

**PARTS LIST**

MADE BY P. MARCOTTE  
 DATE 9/17/69  
 ENG D. Nevala  
 DATE 10/16/69  
 CHECKED K. RUSS  
 DATE 9/26/69  
 PROD T. Macdonald  
 DATE 10/17/69  
 SECTION 1  
 ISSUED SECT. 1

ITEM NO.	DWG NO. / PART NO.	DESCRIPTION	H960-CA	H960-CC	H960-CD	H960-CB	H960-CE	H960-CF	H960-CG	QUANTITY / VARIATION
1.	C-PL-7006501-1-0	BASIC CABINET ASSY 19" (115 VAC)	1	1	-	-	-	1	-	
2	D-UA-H952-AA-0	PANEL, END H952-AA	2	2	2	2	2	-	-	
3	D-UA-H950-BA-0	FULL LENGTH DOOR 19" (R.H.)	1	1	1	1	1	1	1	
4	D-UA-H950-QA-0	COVER PANEL 10 1/2	6	A/R	3	6	3	6	6	
5	D-IA-7407936-4-0	LOGO PDP 11	1	-	1	1	1	-	-	
6	D-AD-7005909-0-0	DISTRIBUTION PANEL, ASSY	1	1	-	-	-	-	-	
7	9006074-3	SCR PHL TRUSS HD #10-32 X 5/8 SST	6	6	-	6	-	6	6	
8	9006635	LOCK WASHER INT TOOTH #10	6	6	-	6	-	6	6	
9	9007786	NUT #C31758-1032-27 TINNEMAN	6	6	-	6	-	6	6	
10	D-IA-7407936-10-0	PANEL LOGO LABEL	-	1	-	-	-	-	-	
11	C-PL-7006501-42-0	BASIC CABINET ASSY 19"	-	-	1	-	-	-	-	
12	C-PL-7006501-39-0	BASIC CABINET ASSY 19" (230 VAC)	-	-	-	1	-	-	1	
13	C-PL-7006501-44-0	BASIC CABINET ASSY 19"	-	-	-	-	1	-	-	
14	861-C	POWER CONTROL 115V SINGLE PHASE	1	-	1	-	-	1	-	
15	861-B	POWER CONTROL 230V SINGLE PHASE	-	-	-	1	-	1	-	
16	C-MD-7407607-0-0	PLATE JONES STRIP	1	-	1	1	1	1	1	
17	C-IA-7008288-8	CABLE ASSY, 8' REMOTE	1	-	1	1	1	1	1	
18	9007929-01	CONN SOLDERLESS #6 HOLE	4	-	4	4	4	4	4	
19	9007928-01	CONN SOLDERLESS CRIMP #10 HOLE	1	-	1	1	1	1	1	
20	1700016-9	POWER CORD, 9 FT. 230V	-	-	-	-	1	1	1	
21	A-PS-1700006-9	POWER CORD TERM 9 FT. 115V	1	-	1	-	-	1	-	
22	9009002	TERMINAL BLOCK - 4 TERMINALS	1	-	1	1	1	1	1	

TITLE CABINET ASSY (PDP 11)  
 SIZE CODE A PL  
 ASSY NO. D-UA-H960-C-0  
 SHEET 1 OF 2  
 DIST. G  
 REV. F  
 ECO NO. H960C-000006

DEC FORM NO. DRA 110

ML

**DIGITAL EQUIPMENT CORPORATION**  
MAYNARD, MASSACHUSETTS

**PARTS LIST**

MADE BY P. MARCOTTE  
 DATE 9/17/69  
 ENG D. NEVALA  
 DATE 10/16/69  
 CHECKED K. RUSS  
 DATE 9/26/69  
 PROD T. MACDONALD  
 DATE 10/17/69  
 SECTION 1  
 ISSUED SECT. 1

ITEM NO.	DWG NO. / PART NO.	DESCRIPTION	H960-CA	H960-CC	H960-CD	H960-CB	H960-CE	H960-CF	H960-CG	QUANTITY / VARIATION
23	A-PS-3610267-00	DECAL HIGH VOLTAGE	1	-	1	1	1	1	1	
24	A-DC-7407314-0-0	DECAL 115V, 60HZ	1	-	1	-	-	1	-	
25	A-DC-7406574-0-0	DECAL 230V, 50HZ	-	-	-	1	1	-	1	
26	9009002	BLOCK TERM.	2	-	2	2	2	2	2	
27	H952-GA	STRIP ASSY FILLER	-	-	-	-	-	1	1	
28	9009700-01	SCREW, SEMS, PHL TRUSS H.D.#10-32 x .50	3	-	3	3	3	3	3	
29	9006025-1	SCREW, PHIL HD PAN 6-32 x .62	4	-	4	4	4	4	4	
30	9006560	NUT KEPS #6-32	4	-	4	4	4	4	4	
31	9006565	NUT KEPS #10-32	1	-	1	1	1	1	1	
32	D-IA-7407936-1-0	LOGO PANEL PDP11 (BLANK)	-	-	-	-	-	1	1	

TITLE CABINET ASSY (PDP-11)  
 SIZE CODE A PL  
 ASSY NO. D-UA-H960-C-0  
 SHEET 2 OF 2  
 DIST. G  
 REV. F  
 ECO NO. H960-C-0

DEC FORM DEC 16-(325)-1031-N870  
 DRA 110

ML

