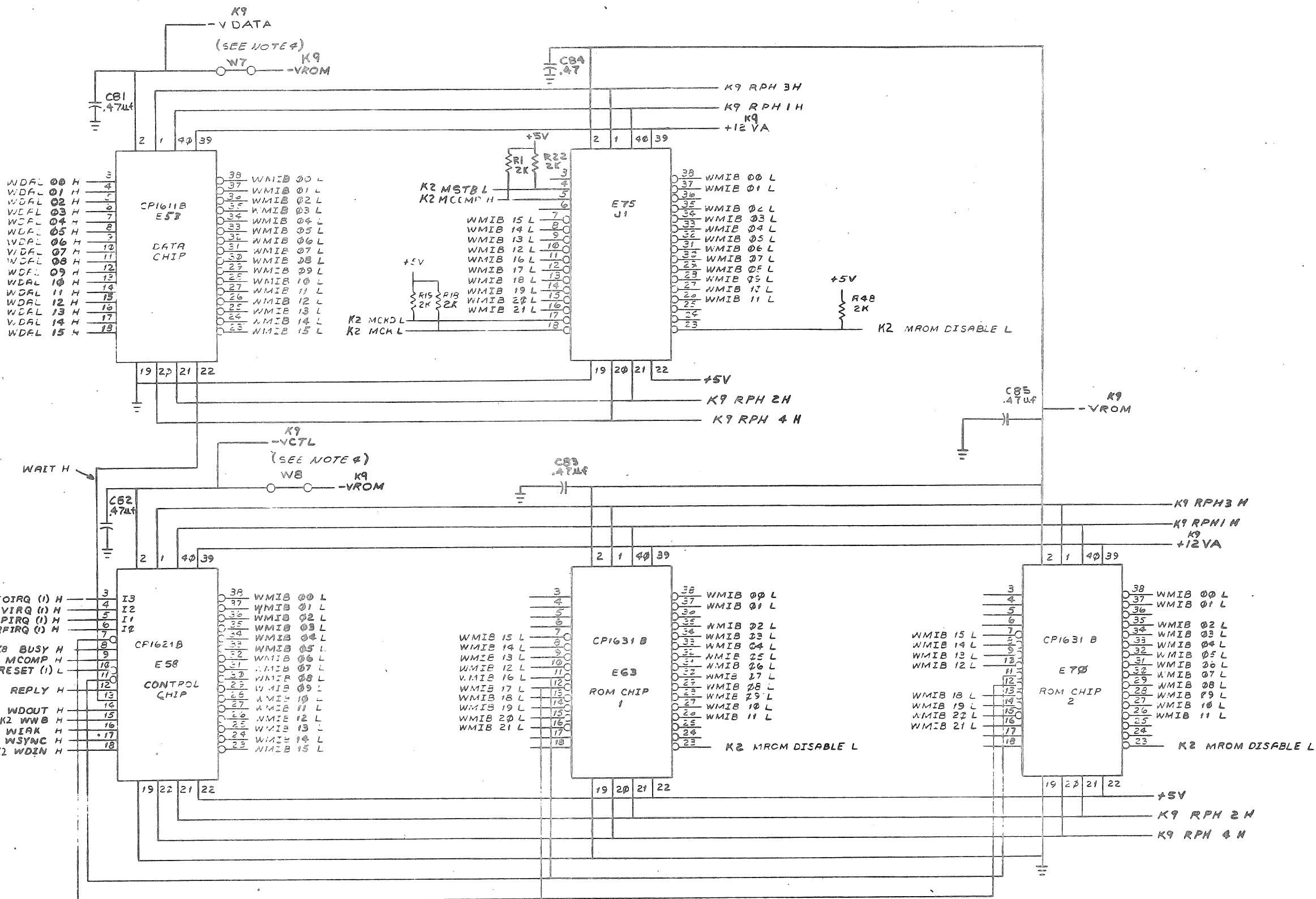


"THIS DRAWING AND SPECIFICATIONS HEREIN ARE THE PROPERTY OF DIGITAL EQUIPMENT CORPORATION AND SHALL NOT BE REPRODUCED OR COPIED OR USED IN WHOLE OR IN PART AS THE BASIS FOR THE MANUFACTURE OR SALE OF ITEMS WITHOUT WRITTEN PERMISSION. COPYRIGHT © 1972 DIGITAL EQUIPMENT CORPORATION"

PREFIX "K2" APPLIES TO ALL WDAL WMIB SIGNALS

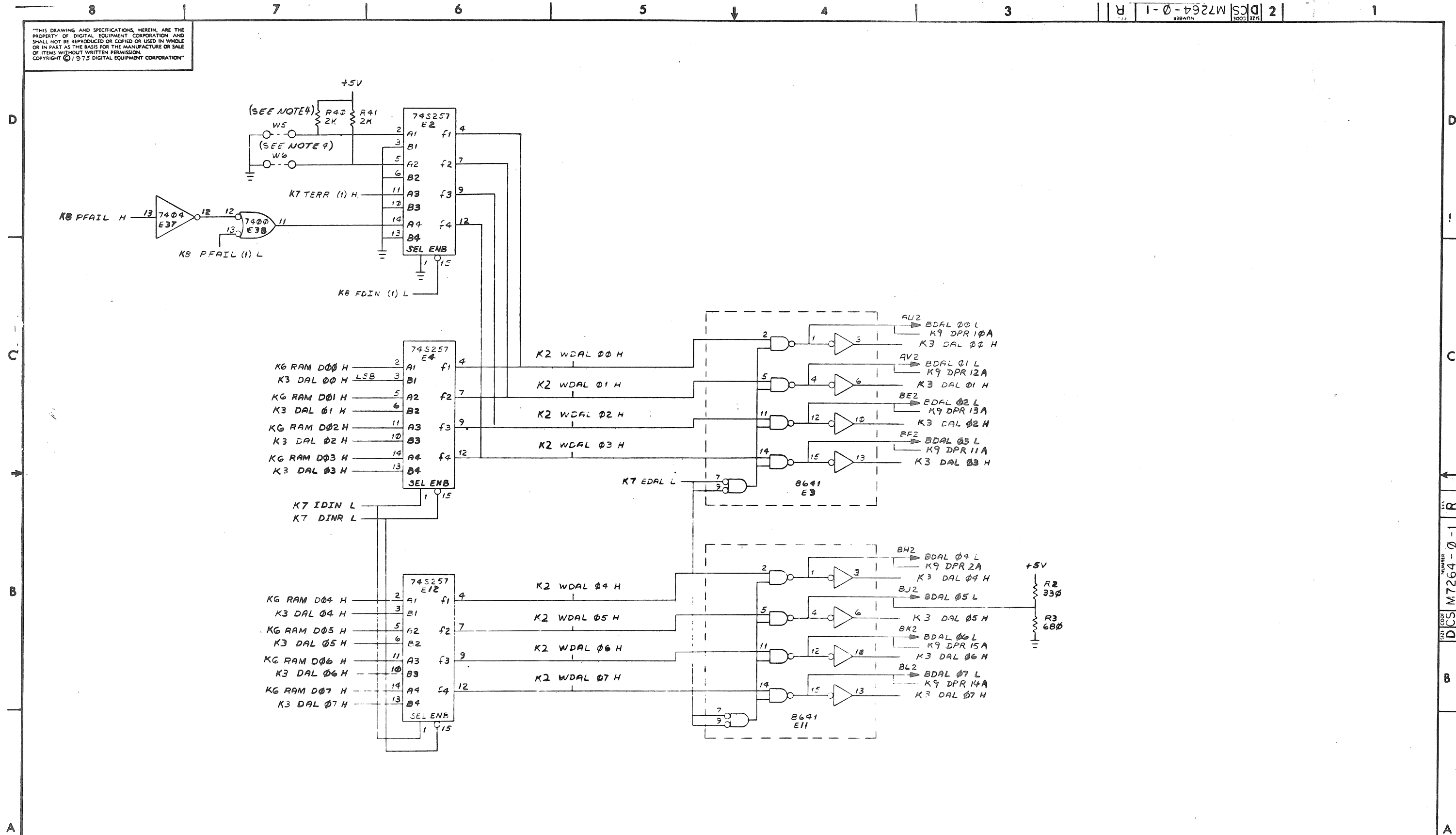


REVISIONS		
CHK	CHANGE NO.	REV

TITLE	LSI-11 CPU MODULE (K2)	SIZE CODE	DCS	NUMBER	M7264-0-1	REV.	R
SCALE		SHEET	3	OF 10		DIST.	

REV. M7264-0-1 R

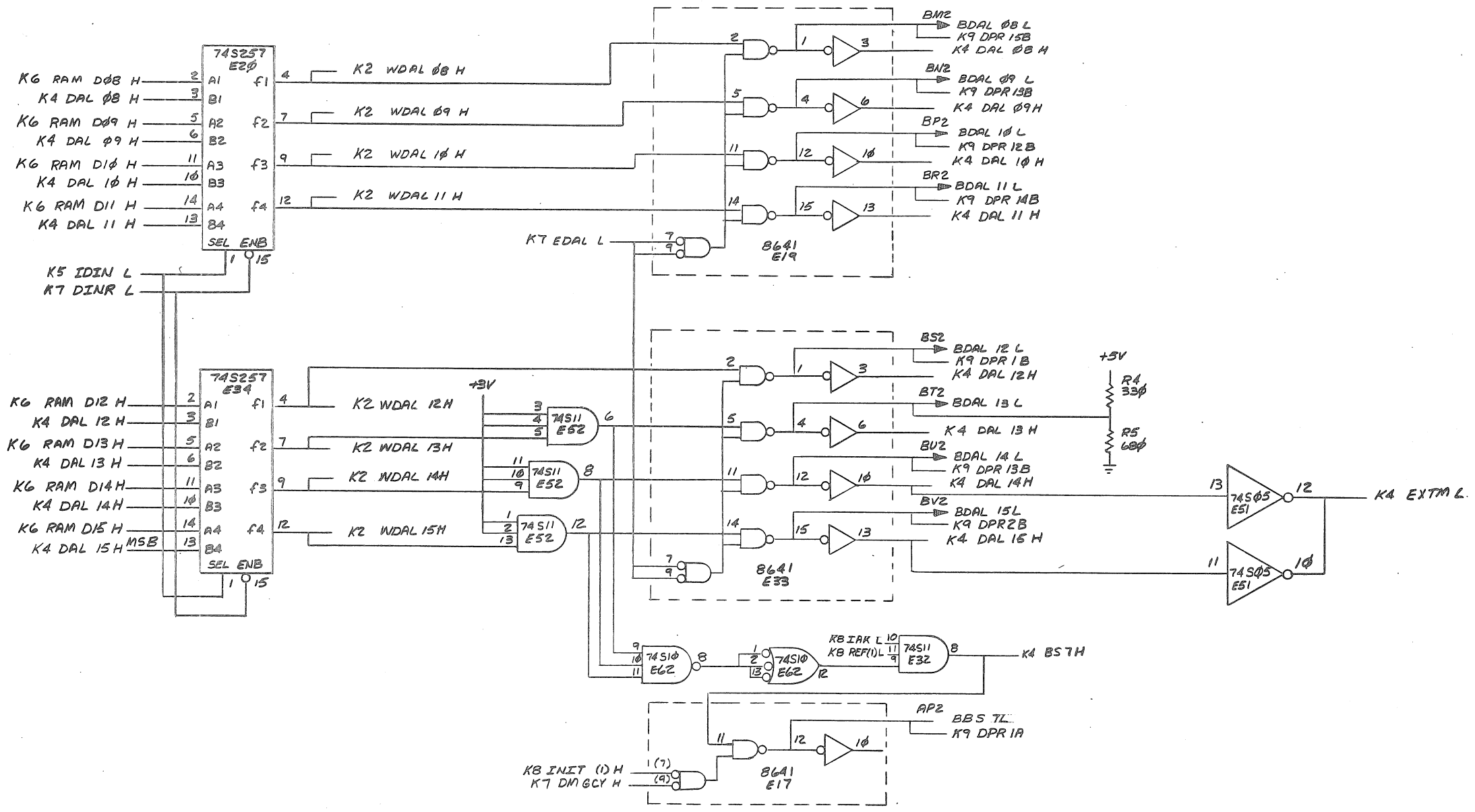
"THIS DRAWING AND SPECIFICATIONS, HEREIN, ARE THE PROPERTY OF DIGITAL EQUIPMENT CORPORATION AND SHALL NOT BE REPRODUCED OR COPIED OR USED IN WHOLE OR IN PART AS THE BASIS FOR THE MANUFACTURE OR SALE OF ITEMS WITHOUT WRITTEN PERMISSION. COPYRIGHT © 1975 DIGITAL EQUIPMENT CORPORATION"



REVISIONS		
CHK	CHANGE NO.	REV

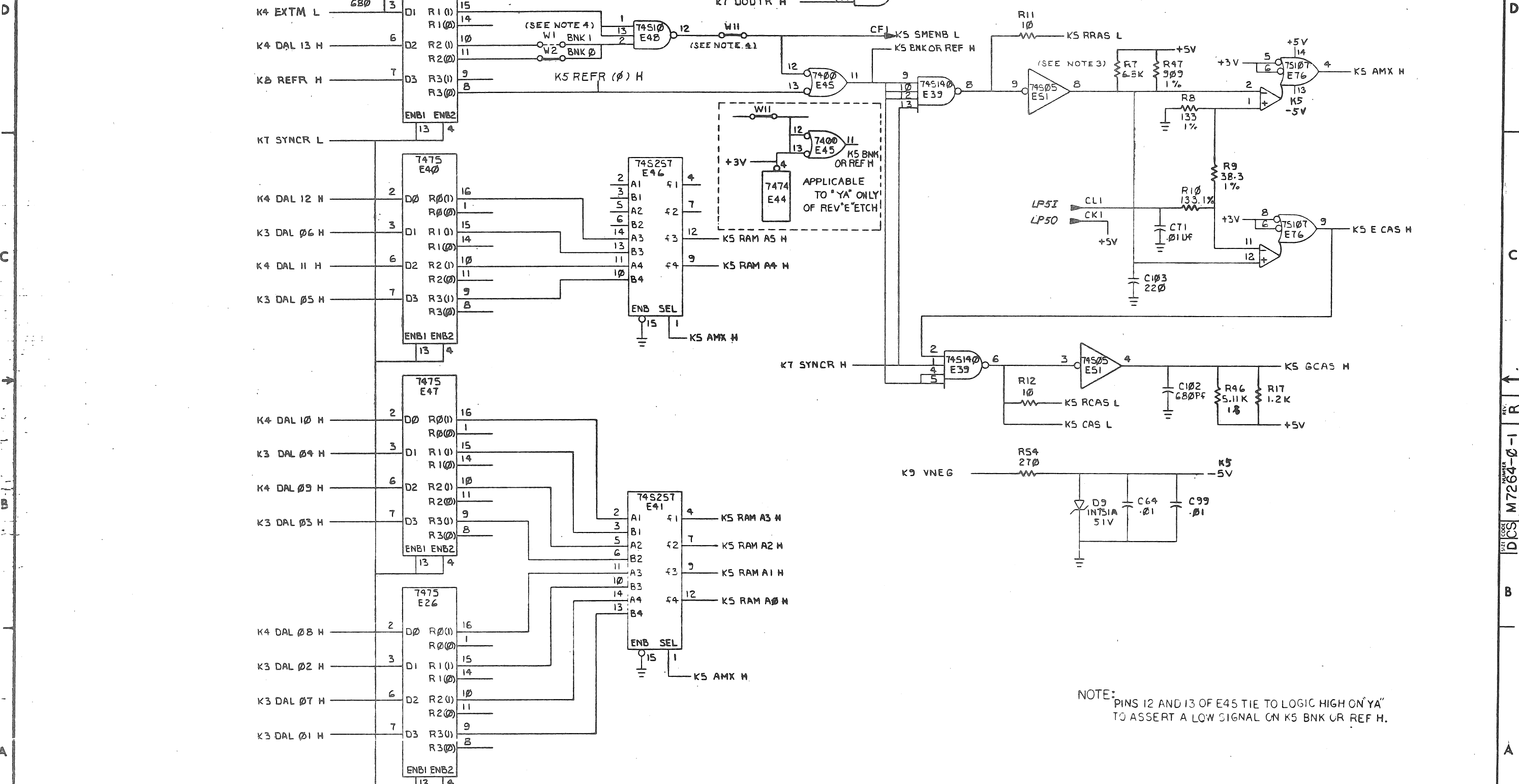
DCS M7264-0-1 R

THIS DRAWING AND SPECIFICATIONS HEREIN ARE THE PROPERTY OF DIGITAL EQUIPMENT CORPORATION AND SHALL NOT BE REPRODUCED OR COPIED OR USED IN WHOLE OR IN PART AS THE BASIS FOR THE MANUFACTURE OR SALE OF ITEMS WITHOUT WRITTEN PERMISSION. COPYRIGHT © 1975 DIGITAL EQUIPMENT CORPORATION



REVISIONS		
CHK	CHANGE NO.	REV.

THIS DRAWING AND SPECIFICATIONS HEREIN ARE THE PROPERTY OF DIGITAL EQUIPMENT CORPORATION AND SHALL NOT BE REPRODUCED OR COPIED OR USED IN WHOLE OR IN PART AS THE BASIS FOR THE MANUFACTURE OR SALE OF ITEMS WITHOUT WRITTEN PERMISSION. COPYRIGHT © 1976 DIGITAL EQUIPMENT CORPORATION



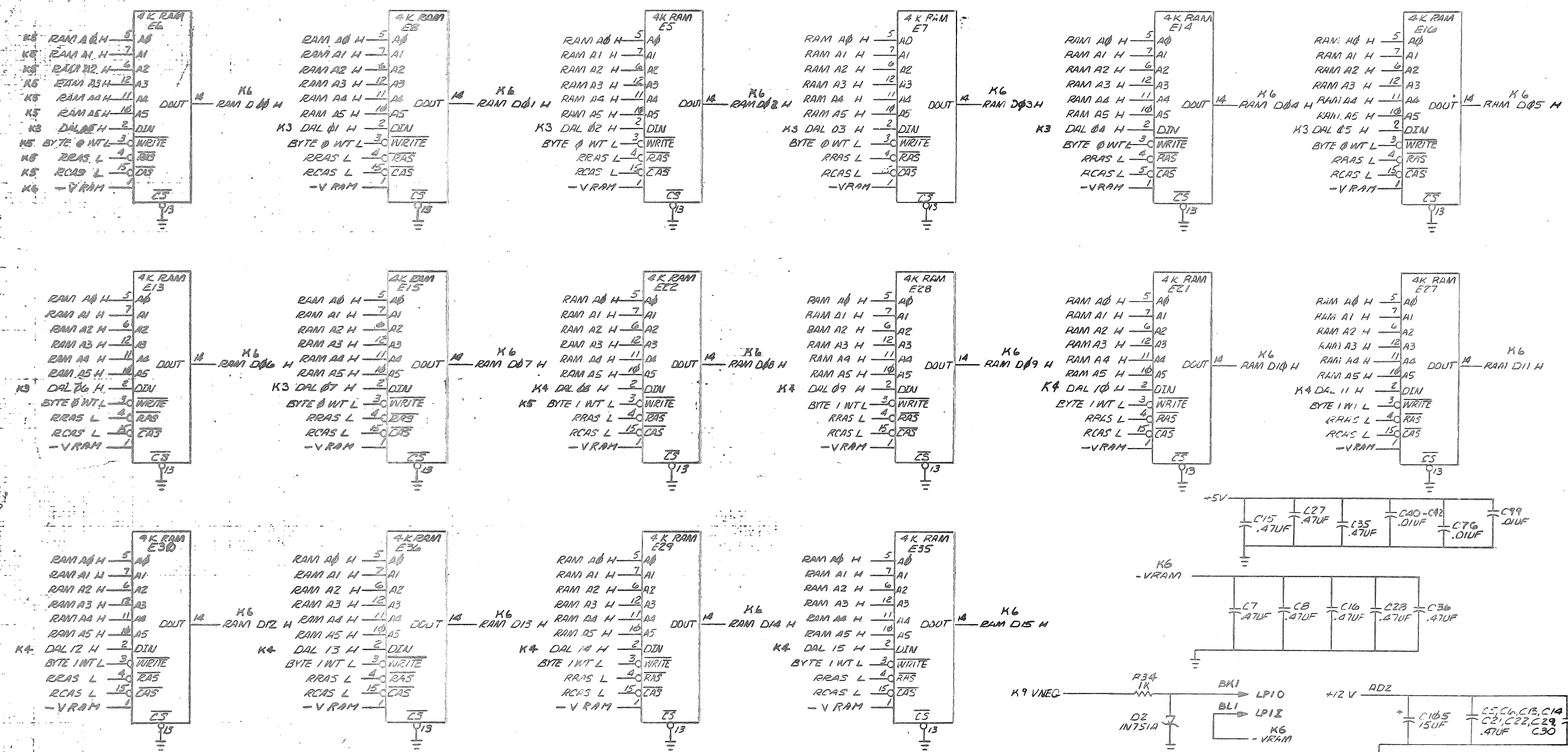
NOTE:
 PINS 12 AND 13 OF E45 TIE TO LOGIC HIGH ON 'YA'
 TO ASSERT A LOW SIGNAL ON K5 BNK OR REF H.

CIRCUIT SCHEMATIC ON THIS SHEET IS DELETED FOR 'YA' VERSION

REVISIONS		
CHK	CHANGE NO.	REV.

TITLE	LSI-11 CPU MODULE	SIZE/CODE	(K5) DCS	NUMBER	M7264-0-1	REV.	R.
SCALE	1:1	SHEET	6 OF 10	DIST.			

THIS DRAWING AND SPECIFICATIONS HEREIN ARE THE PROPERTY OF DIGITAL EQUIPMENT CORPORATION AND SHALL NOT BE REPRODUCED OR COPIED OR USED IN WHOLE OR IN PART AS THE BASIS FOR THE MANUFACTURE OR SALE OF ITEMS WITHOUT WRITTEN PERMISSION.
 COPYRIGHT © 1976 DIGITAL EQUIPMENT CORPORATION



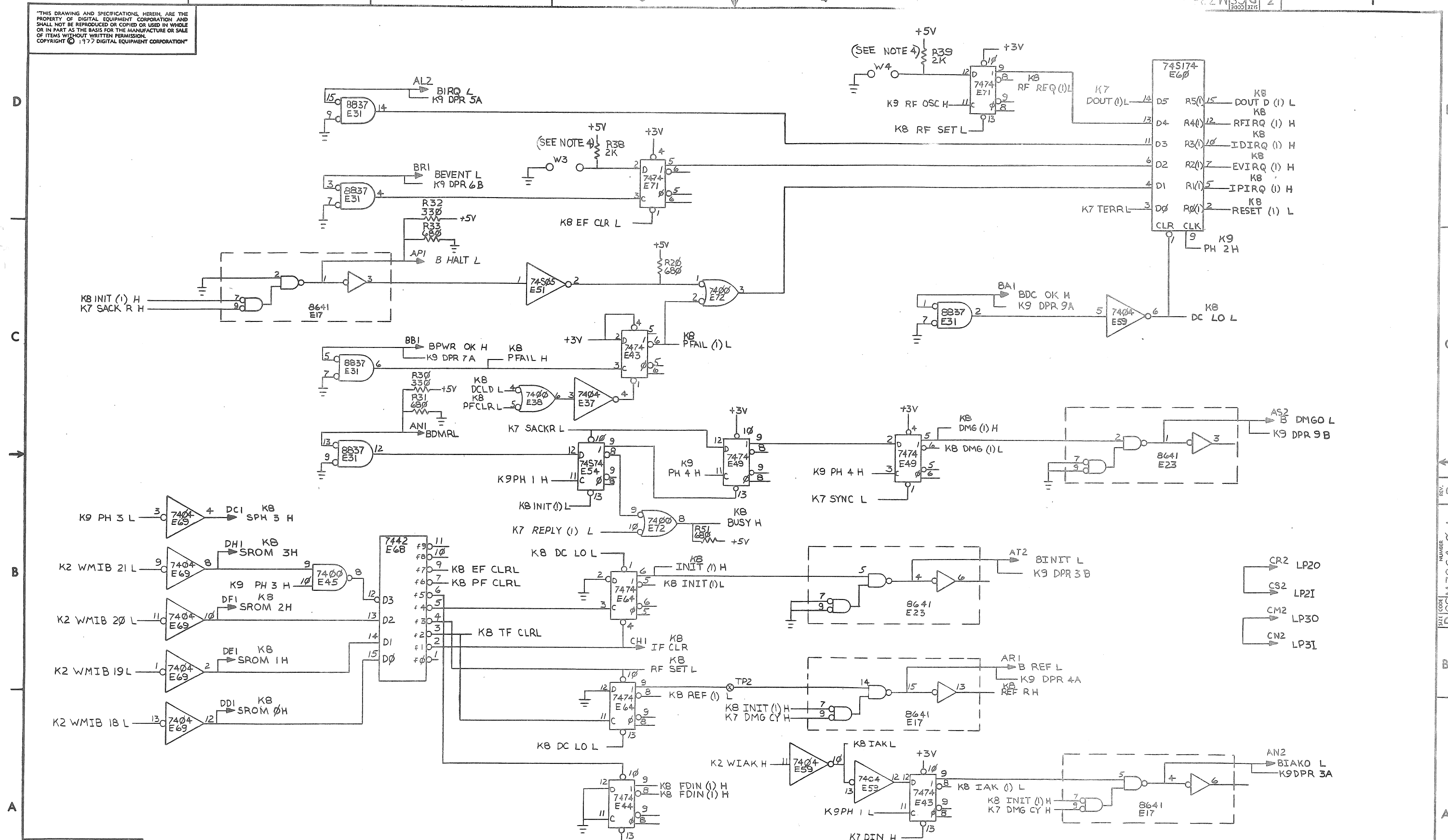
REVISIONS		
CHK	CHANGE NO.	REV.

CIRCUIT SCHEMATIC ON THIS SHEET IS DELETED FOR "A" VERSION

TITLE	LSI-11 CPU MODULE (K6)	SIZE CODE	DCS	NUMBER	M7264-0-1	REV.	R
SCALE	SHEET 7 OF 10	DIST.					

IDCSM7264-C-1

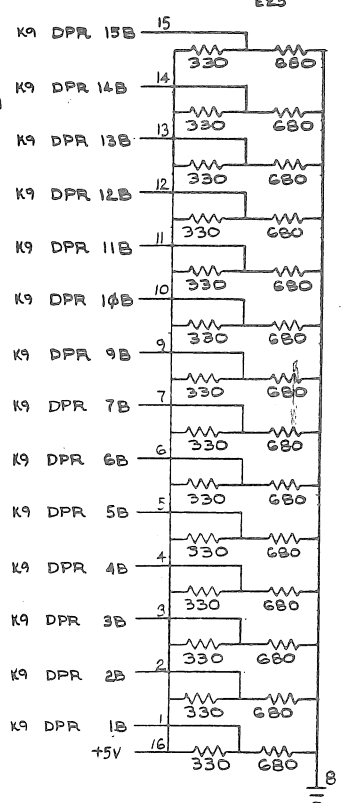
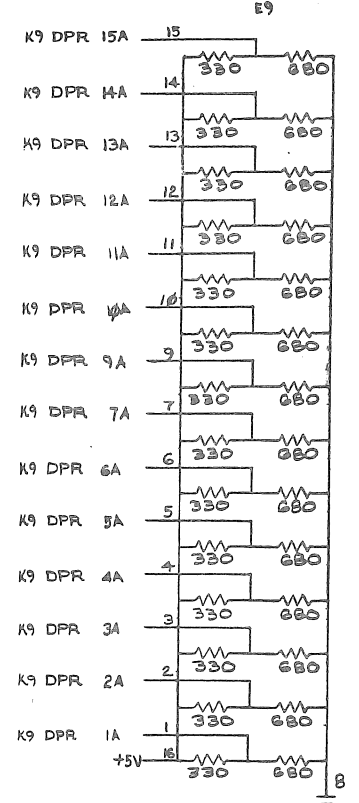
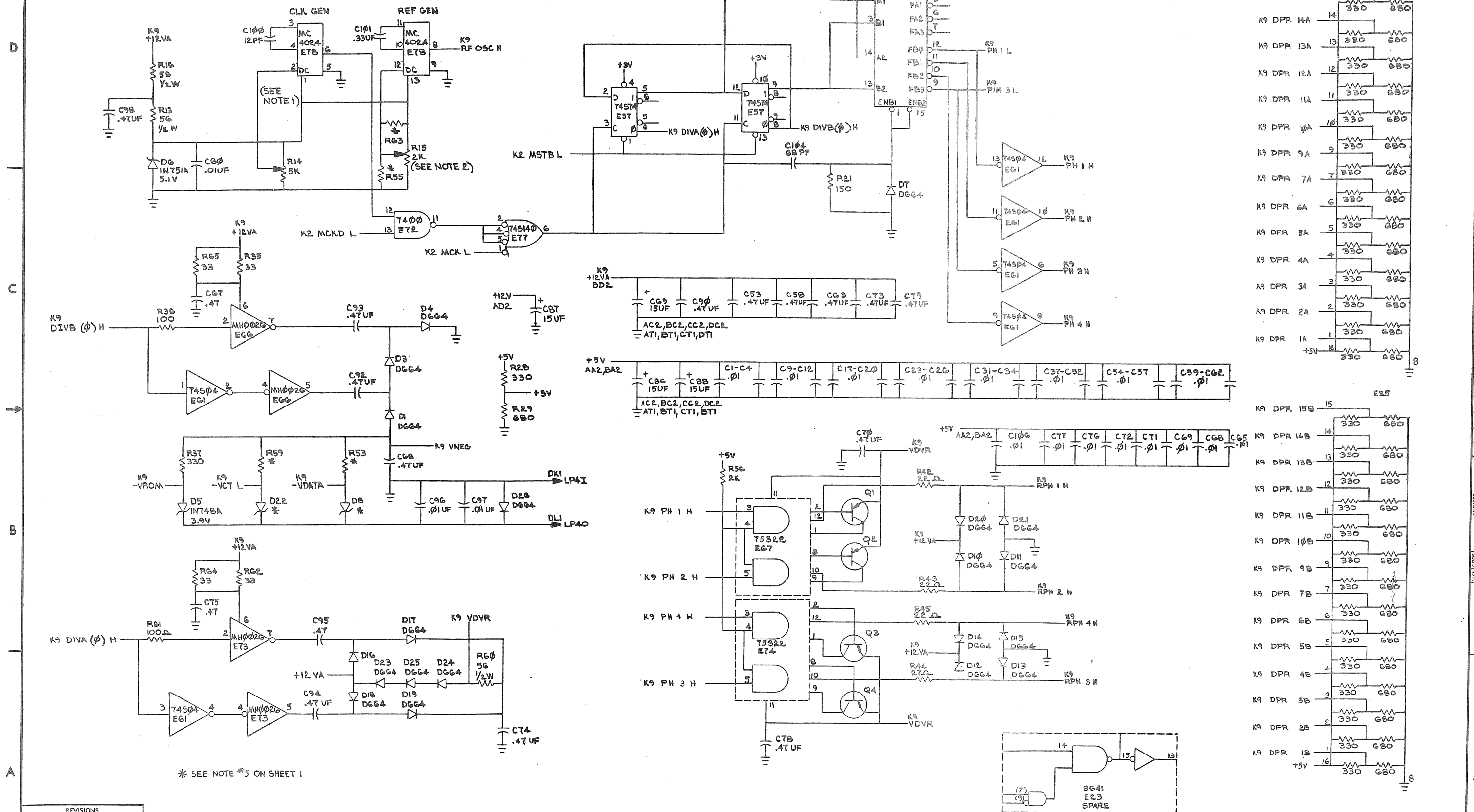
THIS DRAWING AND SPECIFICATIONS, HEREIN, ARE THE PROPERTY OF DIGITAL EQUIPMENT CORPORATION AND SHALL NOT BE REPRODUCED OR COPIED OR USED IN WHOLE OR IN PART AS THE BASIS FOR THE MANUFACTURE OR SALE OF ITEMS WITHOUT WRITTEN PERMISSION. COPYRIGHT © 1977 DIGITAL EQUIPMENT CORPORATION



REVISIONS		
CHK	CHANGE NO.	REV.

TITLE	LSI-11 CPU MODULE (K8)	SIZE/ CODE	D CS M7264-Ø-1	NUMBER		REV.	R
SCALE		SHEET	9 OF 10	DIST.			

"THIS DRAWING AND SPECIFICATIONS, HEREIN, ARE THE PROPERTY OF DIGITAL EQUIPMENT CORPORATION AND SHALL NOT BE REPRODUCED OR COPIED OR USED IN WHOLE OR IN PART AS THE BASIS FOR THE MANUFACTURE OR SALE OF ITEMS WITHOUT WRITTEN PERMISSION. COPYRIGHT © 1976 DIGITAL EQUIPMENT CORPORATION"



* SEE NOTE *5 ON SHEET 1

REVISIONS		
CHK	CHANGE NO.	REV.