

PRODUCT LINE PDP11
 DATE RELEASED 2-28-75
 RELEASED BY JOHN MANTON

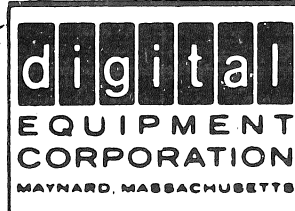
MODULE ECO HISTORY
 PAGE 1 OF 1

RELEASED CS REV. A
 RELEASED ETCH BD REV. B

ECO. NO.	ORIGINATOR	DATE WRITTEN	NEW CS REV.	NEW ETCH BOARD REV.	IS IT MANDATORY TO REWORK ALL EARLIER VERSIONS (NOW AVAILABLE OR RETURNED FOR REPAIR) TO THIS REVISION LEVEL?			ARE ALL REVISIONS OF THIS MODULE COMPLETELY COMPATIBLE NOW (CAN BE MIXED INDISCRIMINATELY)?			SIMPLIFIED CHANGE DESCRIPTION	NO. PARTS ADDED	NO. PARTS DELETED
					YES	NO	CONDITIONAL (EXPLAIN)	YES	NO	CONDITIONAL (EXPLAIN)			
00001	J.MANTON	7-31-75	B	B		NO		YES			R16 SETTING NOW 110 NSEC. ± 10 NSEC	0	0

REVISIONS
 CHG NO. REV.
 000001 A

DRN.	DATE
CHK'D	DATE
ENG.	DATE
PROD.	DATE



TITLE MODULE ECO HISTORY

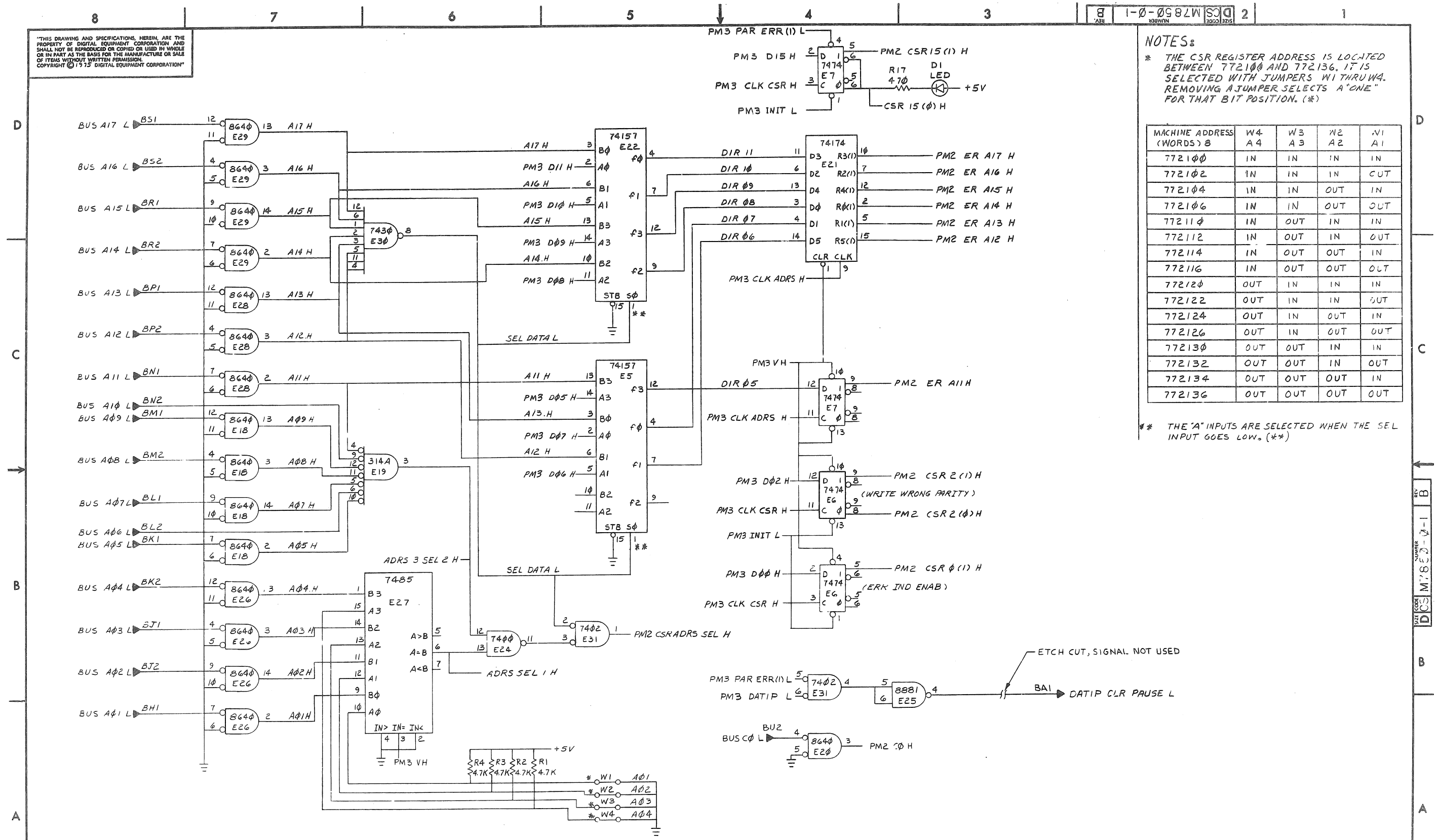
IZE	CODE	NUMBER	REV.
B	NH	M7-0	A

"THIS DRAWING AND SPECIFICATIONS, HEREIN, ARE THE PROPERTY OF DIGITAL EQUIPMENT CORPORATION AND SHALL NOT BE REPRODUCED OR COPIED OR USED IN WHOLE OR IN PART AS THE BASIS FOR THE MANUFACTURE OR SALE OF ITEMS WITHOUT WRITTEN PERMISSION. COPYRIGHT © 1975 DIGITAL EQUIPMENT CORPORATION"

NOTES:
 * THE CSR REGISTER ADDRESS IS LOCATED BETWEEN 772100 AND 772136. IT IS SELECTED WITH JUMPERS W1 THRU W4. REMOVING A JUMPER SELECTS A "ONE" FOR THAT BIT POSITION. (*)

MACHINE ADDRESS (WORDS) B	W4 A4	W3 A3	W2 A2	W1 A1
772100	IN	IN	IN	IN
772102	IN	IN	IN	CUT
772104	IN	IN	OUT	IN
772106	IN	IN	OUT	OUT
772110	IN	OUT	IN	IN
772112	IN	OUT	IN	OUT
772114	IN	OUT	OUT	IN
772116	IN	OUT	OUT	OUT
772120	OUT	IN	IN	IN
772122	OUT	IN	IN	OUT
772124	OUT	IN	OUT	IN
772126	OUT	IN	OUT	OUT
772130	OUT	OUT	IN	IN
772132	OUT	OUT	IN	OUT
772134	OUT	OUT	OUT	IN
772136	OUT	OUT	OUT	OUT

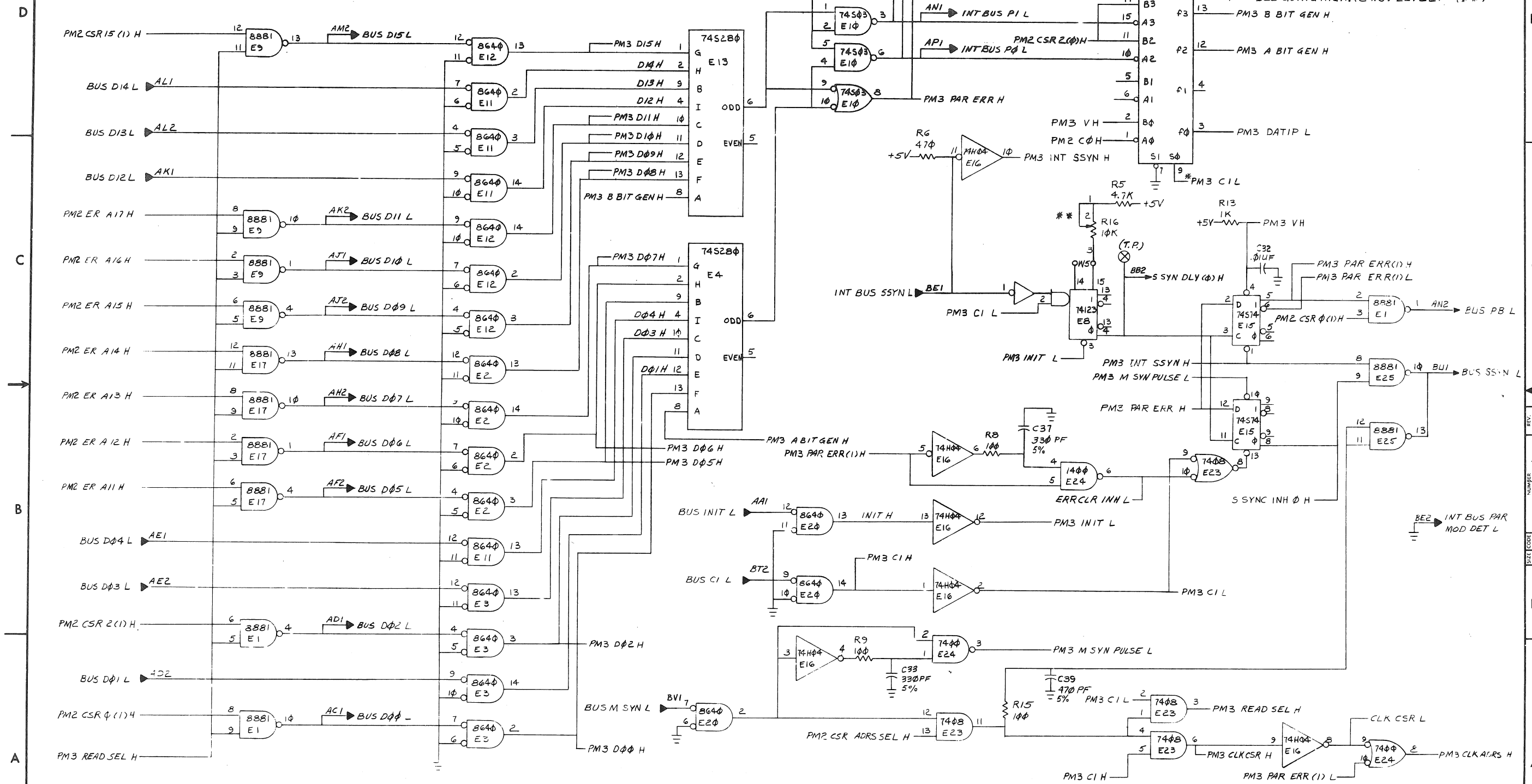
** THE "A" INPUTS ARE SELECTED WHEN THE SEL INPUT GOES LOW. (**)



CHK	CHANGE NO.	REV.

"THIS DRAWING AND SPECIFICATIONS, HEREIN, ARE THE PROPERTY OF DIGITAL EQUIPMENT CORPORATION AND SHALL NOT BE REPRODUCED OR COPIED OR USED IN WHOLE OR IN PART AS THE BASIS FOR THE MANUFACTURE OR SALE OF ITEMS WITHOUT WRITTEN PERMISSION. COPYRIGHT © 1975 DIGITAL EQUIPMENT CORPORATION"

NOTES:
 * B INPUTS SELECTED WHEN SEL IS LOW (*
 ** SET R16 TO 110 NSEC. ± 10% FROM SIGNAL ON PIN BE1 GOING LOW TO SIGNAL ON PIN BB2 GOING HIGH. (@ 1.5V LEVEL). (**)



REVISIONS		
CHK	CHANGE NO.	REV.

