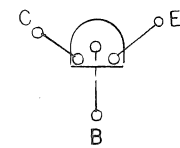


**THIS DRAWING AND SPECIFICATIONS, WHICH ARE THE PROPERTY OF DIGITAL EQUIPMENT CORPORATION AND SHALL NOT BE REPRODUCED OR COPIED OR USED IN WHOLE OR IN PART AS THE BASIS FOR THE MANUFACTURE OR SALE OF ITEMS WITHOUT WRITTEN PERMISSION.**  
 DIGITAL EQUIPMENT CORPORATION  
 COPYRIGHT © 1975

**NOTES:**

- THIS MODULE PLUG IS COMPATIBLE WITH:
  - A. BC05M TTY CABLE.
  - B. BC05C MODEM CABLE.
- THE POLARITY REVERSES WHEN USING THE 20 MA CURRENT LOOP TRANSMITTER OR RECEIVER IN THE PASSIVE CONFIGURATION. WHEN USING THE BC05M CABLE MUST BE TAKEN TO SWAP THE APPROPRIATE WIRES.

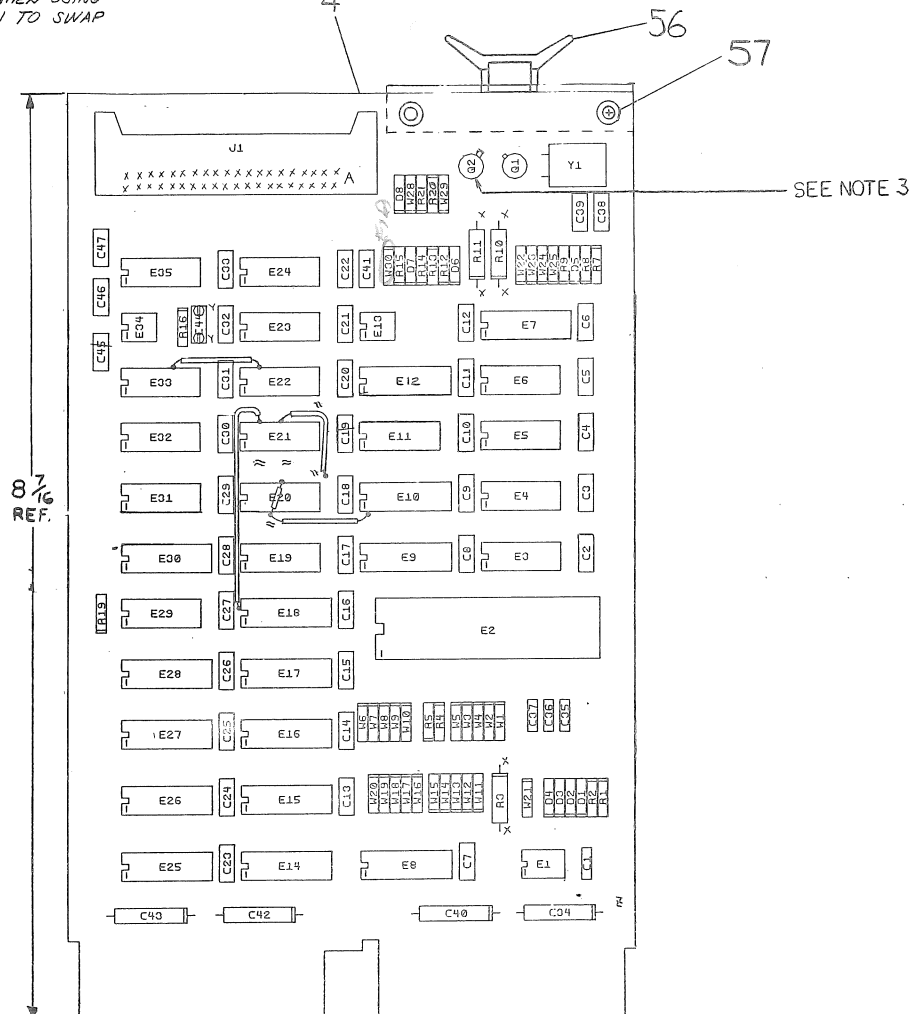
3. A. INSERT WITH ACCORDANCE TO VENDOR PACKAGE.  
 VENDOR NAME:  
 G.P.S.A.(GE)      MOTOROLA,ITT,NATIONAL TRANSISTOR,  
 NATIONAL SEMI CONDUCTOR.



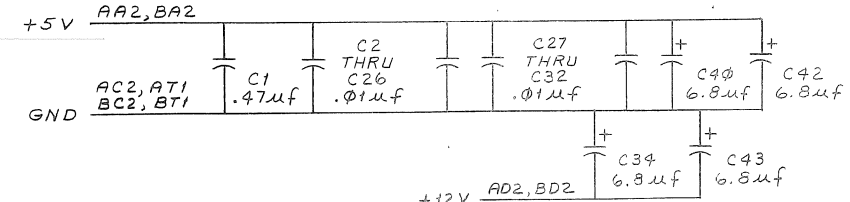
TOP VIEW

B.G.P.S.A (VENDOR GE) IS THE ONLY VENDOR PACKAGE MOUNTED WITH THE FLAT REVERSED.

13	W2, W6, W7, W10, W16, W20 THRU W28, W28 THRU W30	INSULATED JUMPER WIRE	9009185	55
1		HANDLE, FLIP CHIP, MAGENTA	9008337-6	56
2		EYELET	9006732	57
6"		WIRE #30 AWG BUSS (RETROFIT)	9105740-55	58
2	R20, R21	RESISTOR, 180 OHM, 1/4W 5%	1301322	59



REF	REF. DESIGNATION	DESCRIPTION	PART NO.	ITEM NO.
		X-Y COORDINATE HOLE LOCATION	K-C-M7940-0-4	1
		ASSY/DRILLING HOLE LAYOUT	D-AH-M7940-0-5	2
		MODULE ECO HISTORY	B-MH-M7940-0-6	3
1		ETCHED CIRCUIT BOARD	5011558	4
2	C38, C39	CAPACITOR, 330pf, 100V, 5%	1000009	5
4	C41, C45, C46, C47	CAPACITOR, 330pf, 100V, 5%	1000027	6
1	C26	CAPACITOR, 820pf, 100V, 5%	1000027	7
31	C2 THRU C25, C27 THRU C33	CAPACITOR, 0.1uf, 100V, 20%	1001810-01	8
1	C44	CAPACITOR, 5000 PF, 100V, 20%	1001753	9
4	C34, C40, C42, C43	CAPACITOR, 6.8uf, 35V, 10%	1005306	10
4	C35, C36, C37, C1	CAPACITOR, .47uf, 25V, 20%	1010279	11
4	D1, D2, D3, D5	DIODE, D684	1100114	12
2	D6, D7	DIODE, 1N4004	1105796	13
1	D4	DIODE, 1N759A	1110836	14
1	D8	DIODE, MCL1301	1105610	15
1	J1	CONNECTOR, 40 PIN, R.ANG. HEADER 3M	1209941-02	16
2	R4, R5	RESISTOR, 47 OHM, 1/4W, 5%	1300202	17
1	R13	RESISTOR, 68 OHM, 1/4W, 5%	1300219	18
1	R3	RESISTOR, 120 OHM, 1/2W, 5%	1300243	19
1	R15	RESISTOR, 150 OHM, 1/4W, 5%	1300250	20
2	R7, R14	RESISTOR, 220 OHM, 1/4W, 5%	1300271	21
1	R8	RESISTOR, 330 OHM, 1/4W, 5%	1300295	22
2	R10, R11	RESISTOR, 270 OHM, 1/2W, 5%	1300285	23
2	R1, R2	RESISTOR, 470 OHM, 1/4W, 5%	1300316	24
1	R16	RESISTOR, 2.4K OHM, 1/4W, 5%	1303177	25
1	R12	RESISTOR, 68K OHM, 1/4W, 5%	1301327	26
1	R19	RESISTOR, 150 OHM, 1/4W, 5%	1300229	27
1	R9	RESISTOR, 10M, 1/4W	1302666	28
2	E14, E28	RESISTOR NETWORK, 330/680 OHM	1311003-02	29
1	Q1	TRANSISTOR, DEC 65340	1503409	30
1	Q2	TRANSISTOR, MXA55	1510706	31
1	Y1	XTAL, 2.4576 MHZ	1812396	32
3	E5, E31, E33	I.C. DEC 7474	1905547	33
1	E22	I.C. DEC 7410	1905576	34
1	E11	I.C. DEC 7430	1905578	35
1	E23	I.C. DEC 7402	1909004	36
1	E6	I.C. DEC 7493	1909054	37
1	E4	I.C. DEC 74S04	1910534	38
3	E5, E19, E29	I.C. DEC 8681	1909705	39
2	E21, E32	I.C. DEC 7400	1910155	40
1	E24	I.C. DEC 1488	1910322	41
1	E35	I.C. DEC 1489	1910323	42
1	E20	I.C. DEC 74S71	1910544	43
1	E9	I.C. DEC 74175	1910651	44
3	E17, E27, E30	I.C. DEC 74157	1910655	45
3	E8, E12, E25	I.C. DEC 8837	1911116	46
2	E16, E18	I.C. DEC 8641	1911579	47
2	E13, E34	I.C. DEC 4M26	1911998	48
1	E1	I.C. DEC MH0026C	1912090	49
2	E15, E26	I.C. DEC 8136	1912395	50
1	E10	I.C. DEC 74155	1910656	51
1	E7	I.C. DEC 34702	2300082-01	52
1	E2	I.C. DEC HSUART (40 PIN)	2111450	53
2	TP1, TP2	SPLIT LUG	9006735	54



IC TYPE	GND	+5V	-12V	+12V
I. C. DEC MH0026C				6
I. C. DEC HSUART				2
I. C. DEC 1488			1	14
I. C. DEC 7493	10	5		
I. C. DEC 74175	8	16		
I. C. DEC 74157	8	16		
I. C. DEC 74155	8	16		
I. C. DEC 8837	8	16		
I. C. DEC 8691	8	16		
I. C. DEC 8136	8	16		

GND AND 5V ARE USUALLY PIN 7 AND 14 RESPECTIVELY EXCEPTIONS ARE STATED ABOVE

IC PIN LOCATIONS

REVISIONS  
 1. 6/27/76 J. CYR  
 2. 7/17/76 J. CYR  
 3. 8/10/76 J. CYR  
 4. 8/10/76 J. CYR  
 5. 8/10/76 J. CYR  
 6. 8/10/76 J. CYR  
 7. 8/10/76 J. CYR  
 8. 8/10/76 J. CYR  
 9. 8/10/76 J. CYR  
 10. 8/10/76 J. CYR  
 11. 8/10/76 J. CYR  
 12. 8/10/76 J. CYR  
 13. 8/10/76 J. CYR  
 14. 8/10/76 J. CYR  
 15. 8/10/76 J. CYR  
 16. 8/10/76 J. CYR  
 17. 8/10/76 J. CYR  
 18. 8/10/76 J. CYR  
 19. 8/10/76 J. CYR  
 20. 8/10/76 J. CYR

FIRST USED ON OPTION MODEL LSI II

ETCH BOARD REV. B

**digital**

SERIAL LINE UNIT

DATE 4-8-75  
 DATE 5-2-75  
 DATE 6/10/75  
 DATE 6/23/75  
 DATE 6/23/75

DRN. J. Viner  
 CHIP  
 ENG. John Cof  
 PROJ. ENG. John Cof  
 PROD. John Cof

DATE 4-8-75  
 DATE 5-2-75  
 DATE 6/10/75  
 DATE 6/23/75  
 DATE 6/23/75

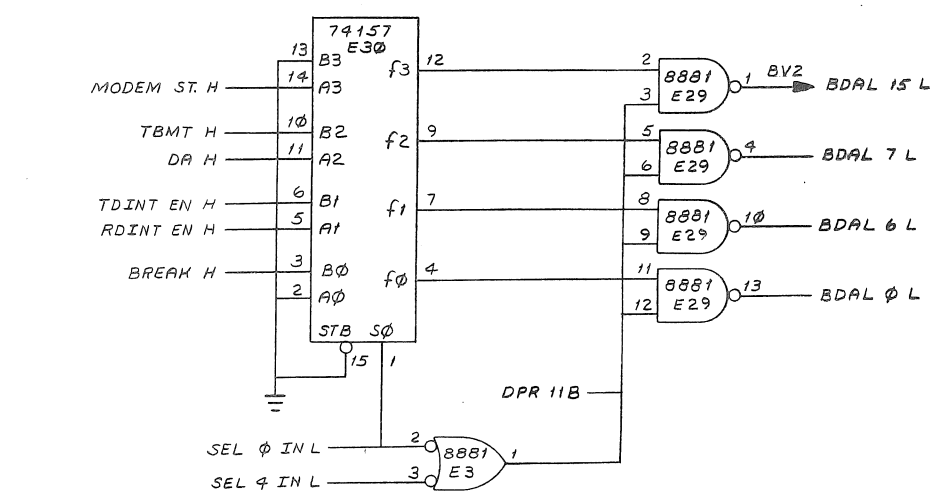
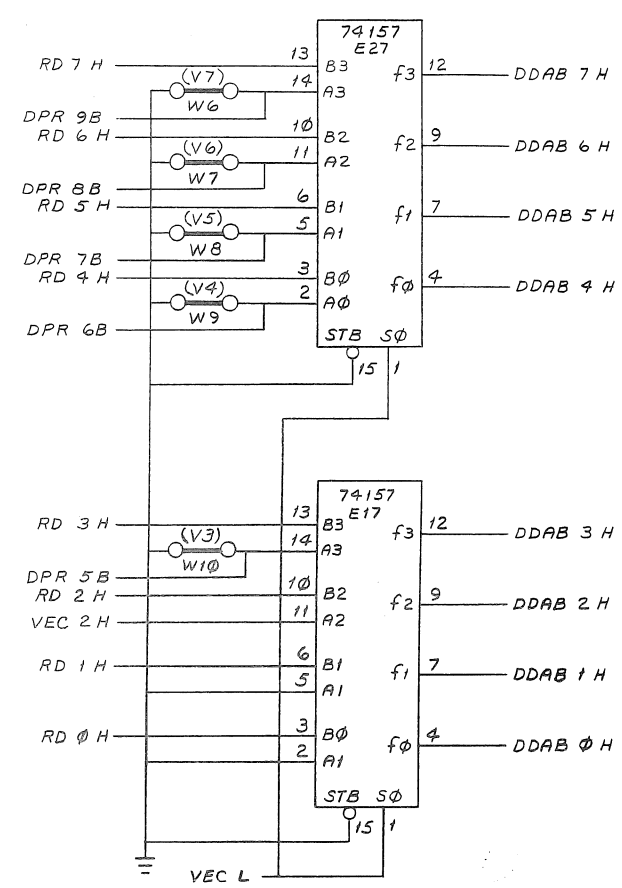
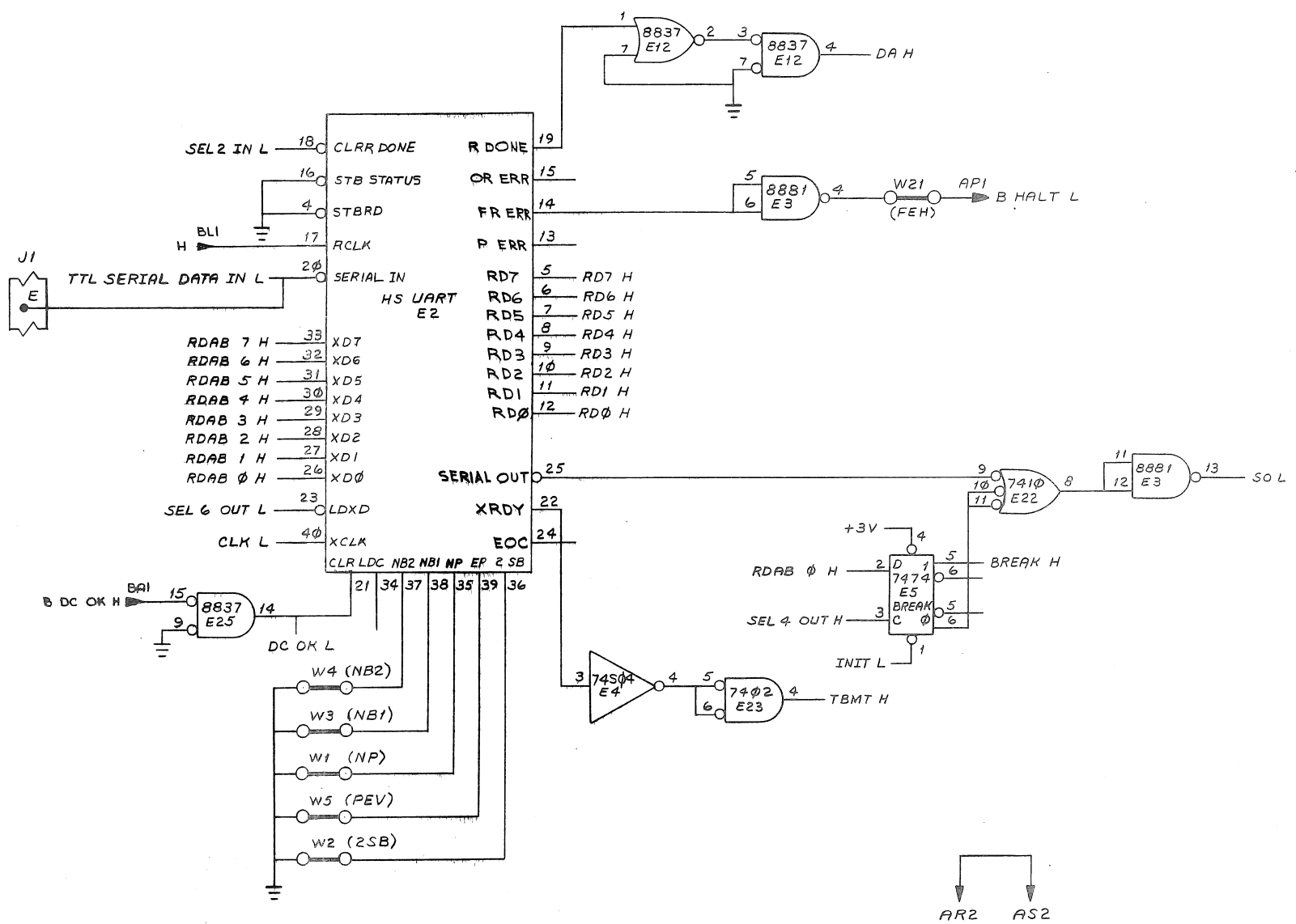
SCALE  
 SHEET 1 OF 5

SIZE CODE DCS M7940-0-1  
 NUMBER  
 DIST.

REV. D

SEMICONDUCTOR CONVERSION CHART

"THIS DRAWING AND SPECIFICATIONS, HEREIN, ARE THE PROPERTY OF DIGITAL EQUIPMENT CORPORATION AND SHALL NOT BE REPRODUCED OR COPIED OR USED IN WHOLE OR IN PART AS THE BASIS FOR THE MANUFACTURE OR SALE OF ITEMS WITHOUT WRITTEN PERMISSION. COPYRIGHT © 1975 DIGITAL EQUIPMENT CORPORATION"

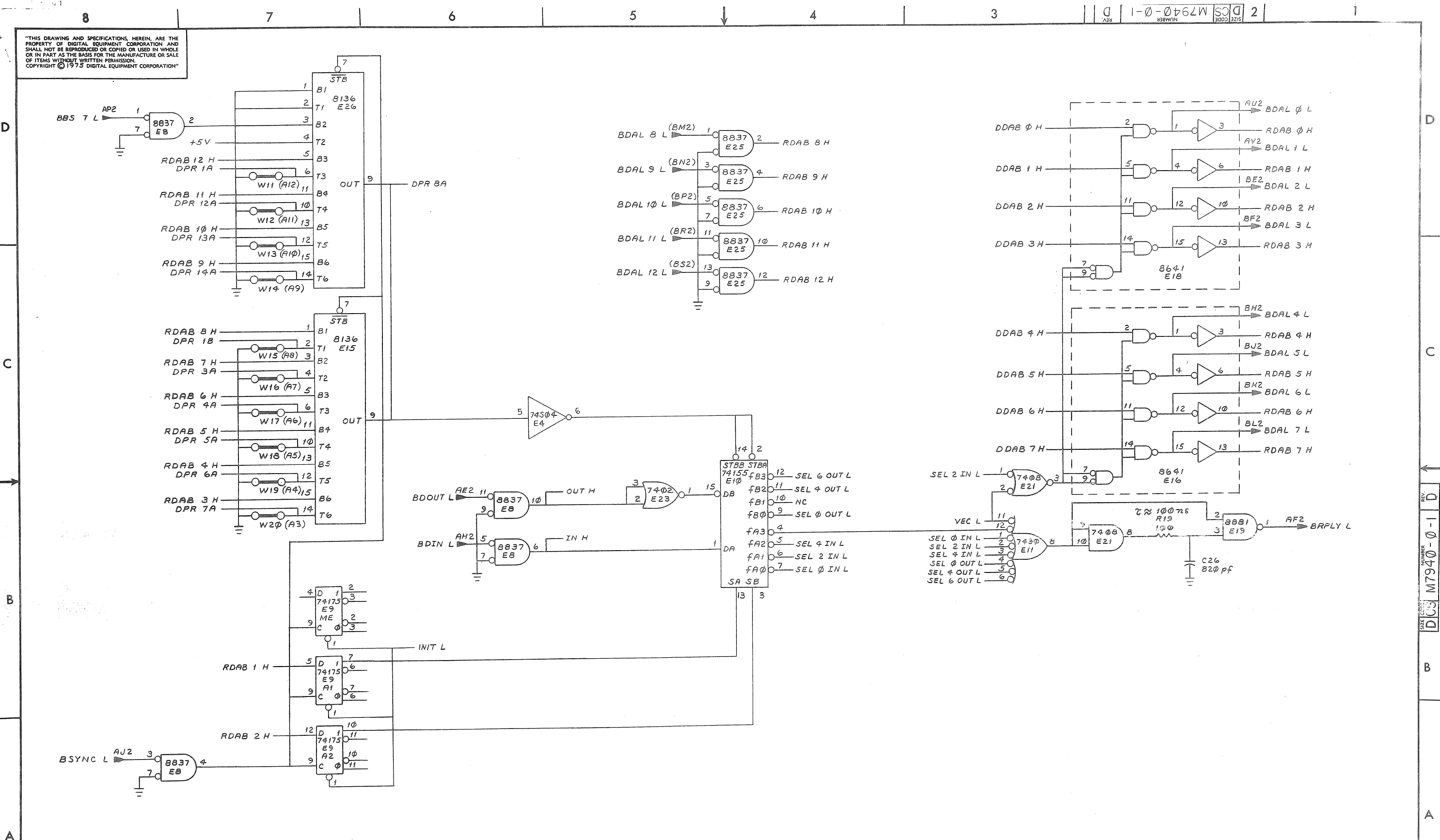


(UART & MULTIPLEXOR LOGIC)

REVISIONS		
CHK	CHANGE NO.	REV.

TITLE	SIZE CODE	NUMBER	REV.
SERIAL LINE UNIT	DCS	M7940-0-1	D
SCALE	SHEET	DIST.	
	2 OF 5		

"THIS DRAWING AND SPECIFICATIONS HEREIN ARE THE PROPERTY OF DIGITAL EQUIPMENT CORPORATION AND SHALL NOT BE REPRODUCED OR COPIED OR USED IN WHOLE OR IN PART AS THE BASIS FOR THE MANUFACTURE OR SALE OF ITEMS WITHOUT WRITTEN PERMISSION. COPYRIGHT © 1975 DIGITAL EQUIPMENT CORPORATION"

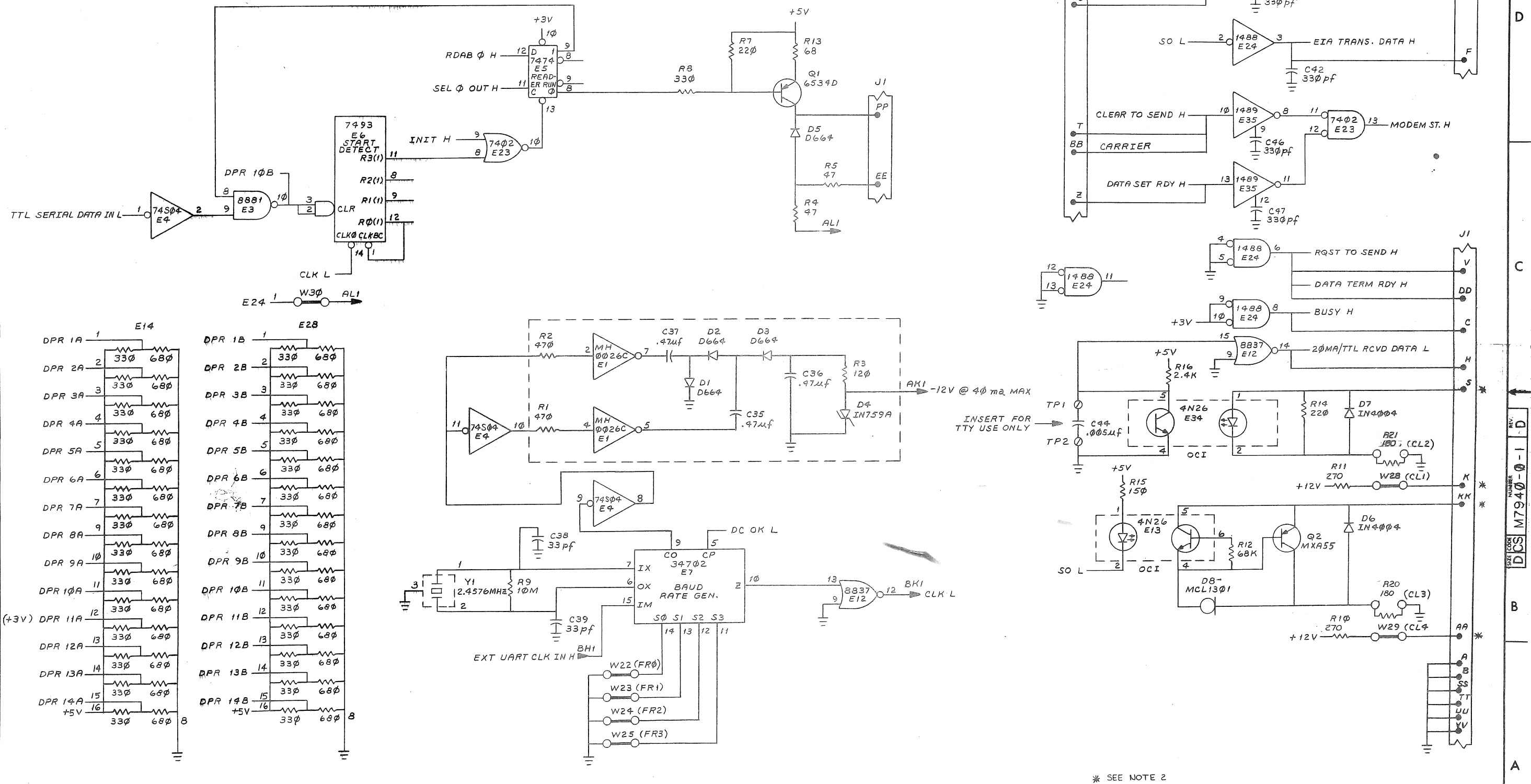


(BUS ADDRESS & I/O LOGIC)

REVISIONS			TITLE		SIZE	CODE	NUMBER	REV.
CHK	CHANGE NO.	REV.	SERIAL LINE UNIT		D	CS	M7940-0-1	D
			SCALE		SHEET	3 OF 5	DIST.	

REV. D M7940-0-1

"THIS DRAWING AND SPECIFICATIONS, HEREIN, ARE THE PROPERTY OF DIGITAL EQUIPMENT CORPORATION AND SHALL NOT BE REPRODUCED OR COPIED OR USED IN WHOLE OR IN PART AS THE BASIS FOR THE MANUFACTURE OR SALE OF ITEMS WITHOUT WRITTEN PERMISSION."  
 COPYRIGHT © 1975 DIGITAL EQUIPMENT CORPORATION



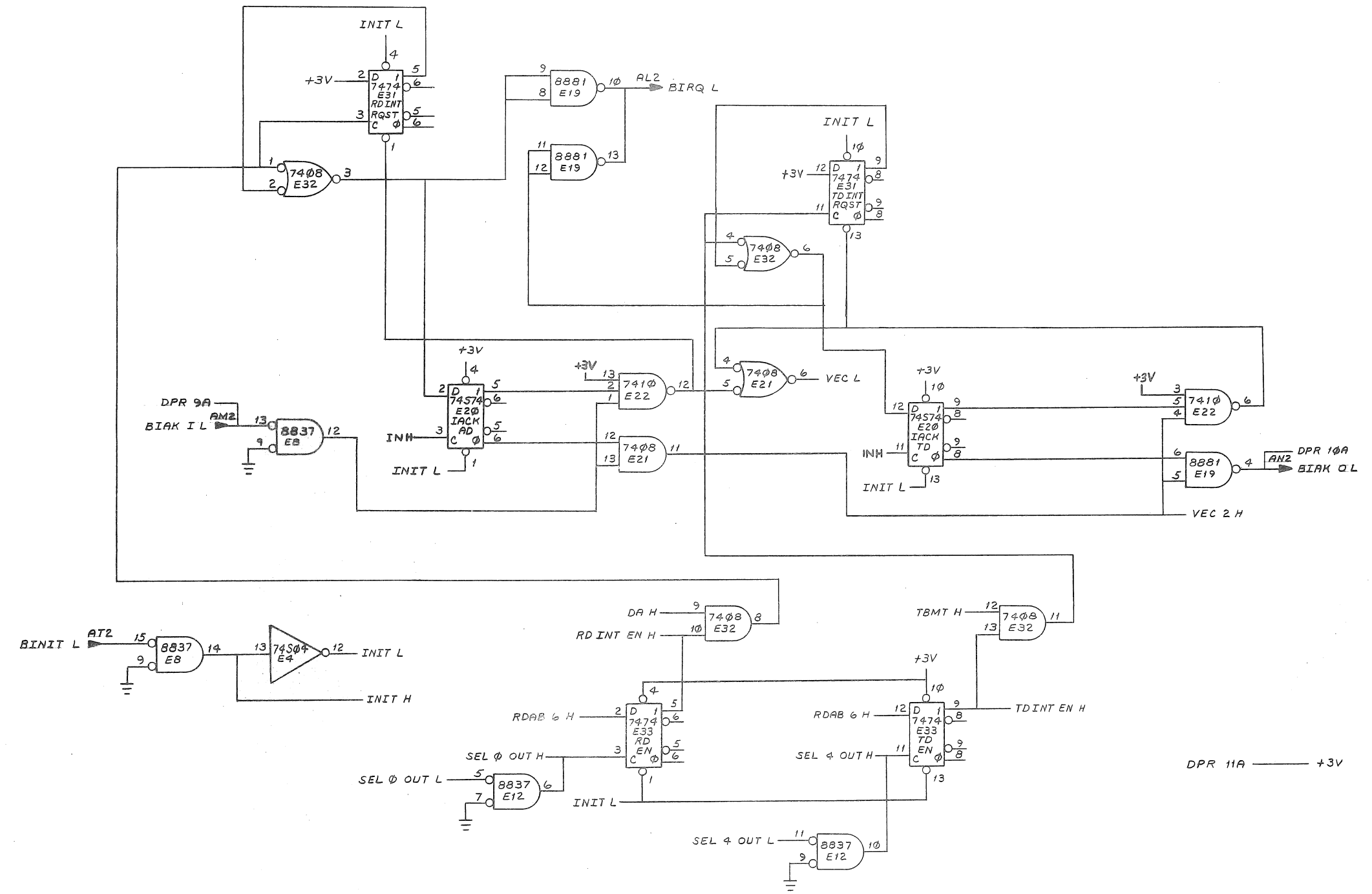
\* SEE NOTE 2

(PERIPHERAL & BAUD RATE LOGIC)

REVISIONS		
CHK	CHANGE NO.	REV.

TITLE	SIZE CODE	NUMBER	REV.
SERIAL LINE UNIT	DCS	M7940-0-1	D
SCALE	SHEET	DIST.	
	4 OF 5		

"THIS DRAWING AND SPECIFICATIONS, HEREIN, ARE THE PROPERTY OF DIGITAL EQUIPMENT CORPORATION AND SHALL NOT BE REPRODUCED, COPIED OR USED IN WHOLE OR IN PART AS THE BASIS FOR THE MANUFACTURE OR SALE OF ITEMS WITHOUT WRITTEN PERMISSION. COPYRIGHT © 1975 DIGITAL EQUIPMENT CORPORATION"



(INTERRUPT & ENABLE LOGIC)

REVISIONS		
CHK	CHANGE NO.	REV.

TITLE	SERIAL LINE UNIT	SIZE CODE	D CS	NUMBER	M7940-0-1	REV.	D
SCALE	1/1	SHEET	5 OF 5	DIST.			

