

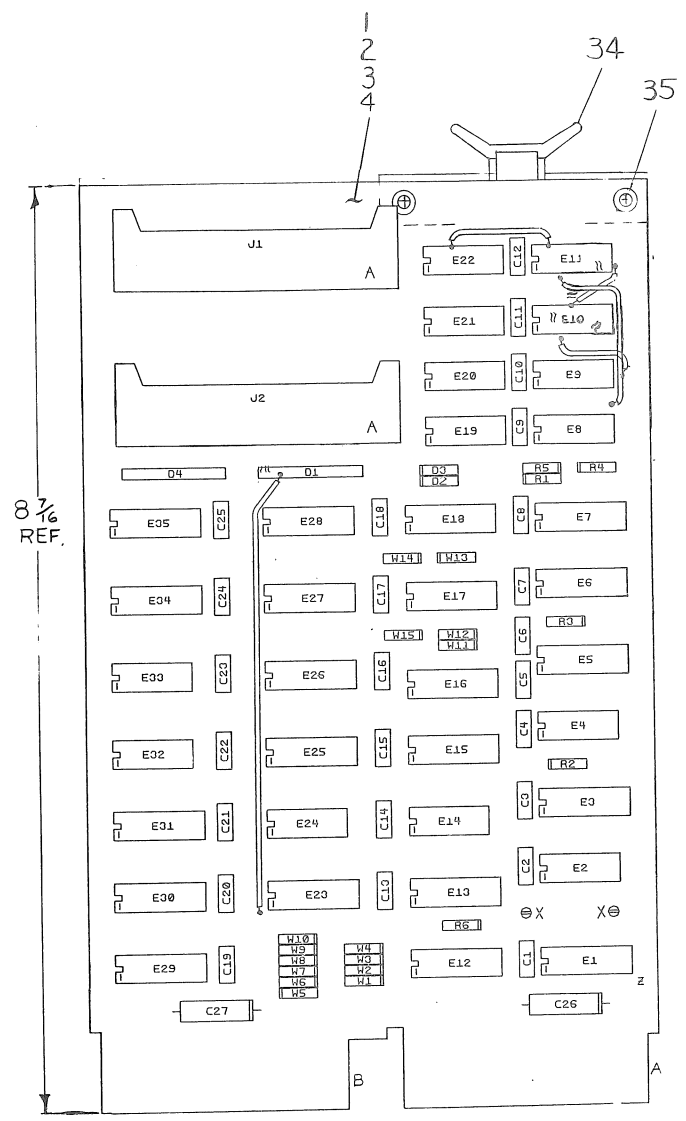
"THIS DRAWING AND SPECIFICATIONS, HEREIN, ARE THE PROPERTY OF DIGITAL EQUIPMENT CORPORATION AND SHALL NOT BE REPRODUCED OR COPIED OR USED IN WHOLE OR IN PART AS THE BASIS FOR THE MANUFACTURE OR SALE OF ITEMS WITHOUT WRITTEN PERMISSION. COPYRIGHT © 1975, DIGITAL EQUIPMENT CORPORATION"

NOTES:
 1. THE JUMPERS ARE FACTORY SET FOR:
 ADDRESS = 16777X (ONLY W1 INSTALLED).
 VECTOR = 300 (W15, 14 & 13 INSTALLED).

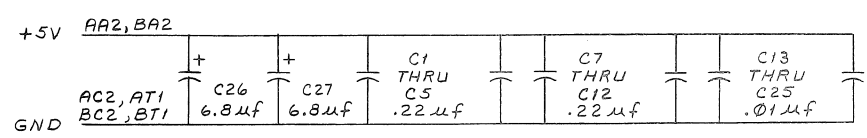
THE JUMPERS ARE ASSIGNED AS FOLLOWS:
 A = ADDRESS / V = VECTOR

A3 - W10	V3 - W15
A4 - W9	V4 - W14
A5 - W8	V5 - W13
A6 - W7	V6 - W12
A7 - W6	V7 - W11
A8 - W5	
A9 - W4	
A10 - W3	
A11 - W2	
A12 - W1	

JUMPER IN = LOGIC 0.
 JUMPER OUT = LOGIC 1.



*THIS PART NUMBER REPLACES P/N 23091A1.



REF	X-Y COORDINATE HOLE LOCATION	K-CO-M7941-0-4	1	
REF	ASSY/DRILLING HOLE LAYOUT	D-AH-M7941-0-5	2	
REF	MODULE ECO HISTORY	B-MH-M7941-0-6	3	
1	ETCHED CIRCUIT BOARD	5011573	4	
11	C1 THRU C5, C7 THRU C12	CAPACITOR, .22 uf, 50V	5	
1	C6	CAPACITOR, 1000pf, 100V, 5%	6	
13	C13 THRU C25	CAPACITOR, .01uf, 100V, 20%	7	
2	C26, C27	CAPACITOR, 6.8uf, 35V, 10%	8	
2	D2, D3	DIODE, D664	9	
2	D1, D4	WELDED DIODE STICK	10	
2	J1, J2	CONNECTOR, 40 PIN, HEADER	11	
1	R4	RESISTOR, 330 OHM	12	
1	R5	RESISTOR, 680 OHM	13	
2	E16, E13	RESISTOR, DIP PACK, 330/680 OHM	14	
1	R2	RESISTOR, 100 OHM	15	
1	R3	RESISTOR, 47 OHM	16	
1	R1	RESISTOR, 390 OHM	17	
1	E22	I.C. DEC 7474	18	
2	E4, E21	I.C. DEC 7402	19	
1	E11	I.C. DEC 74H11	20	
1	E20	I.C. DEC 7404	21	
6	E2, E8, E14, E24, E32, E33	I.C. DEC 8001	22	
1	E19	I.C. DEC 7408	23	
1	E10	I.C. DEC 74S74	24	
4	E6, E17, E18, E35	I.C. DEC 74157	25	
2	E1, E5	I.C. DEC 8037	26	
2	E12, E23	I.C. DEC 8136	27	
6	E3, E7, E27, E28, E29, E31	I.C. DEC 74175	28	
1	E9	I.C. DEC 7384	29	
1	E15	I.C. DEC MMI 6330	30	
4	E25, E26, E30, E34	I.C. DEC 8641	31	
W1, W2, W3, W4, W5	JUMPERS	9009185	32	
2	SL1, SL2	SPLIT LUGS	9006735	33
1		HANDLE	9008337-6	34
2		EYELETS	9006732	35
1	R6	RESISTOR, 1K OHM	1300365	36
A/R 6"	WIRE #30 AWG BUSS (RETROFIT)	9105740-55	37	

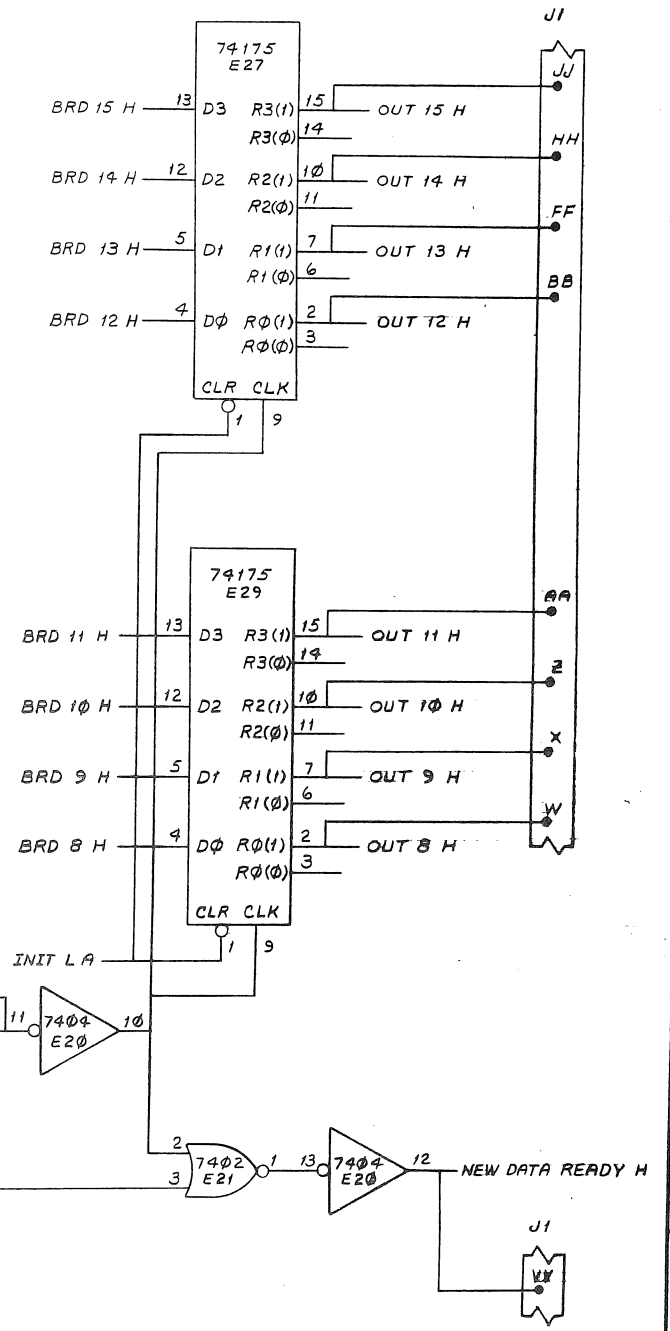
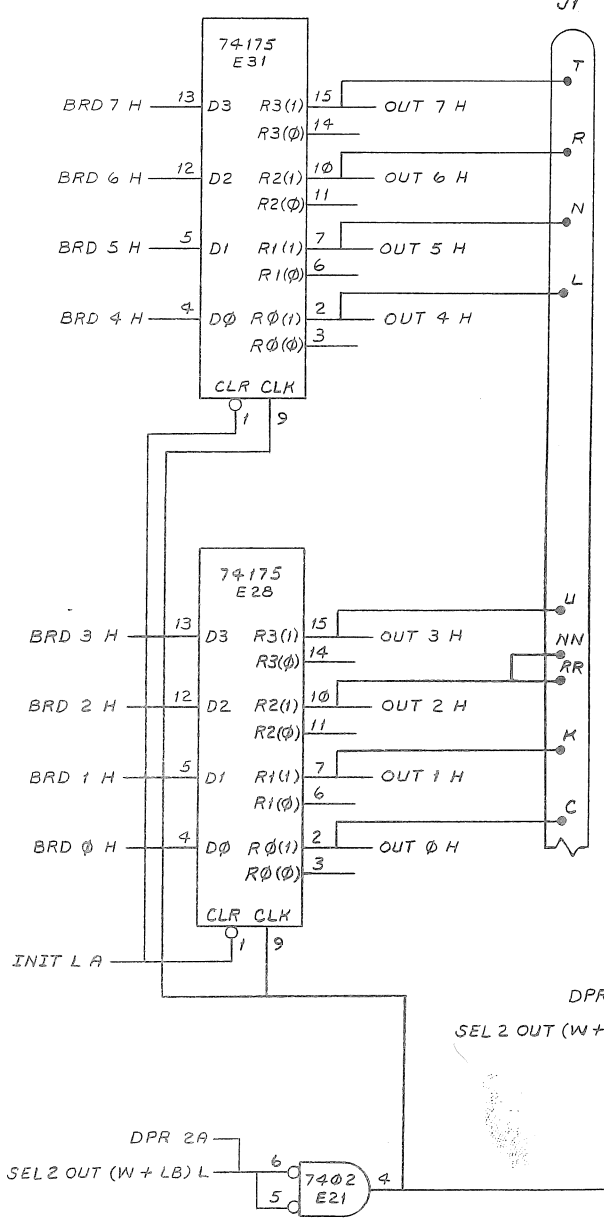
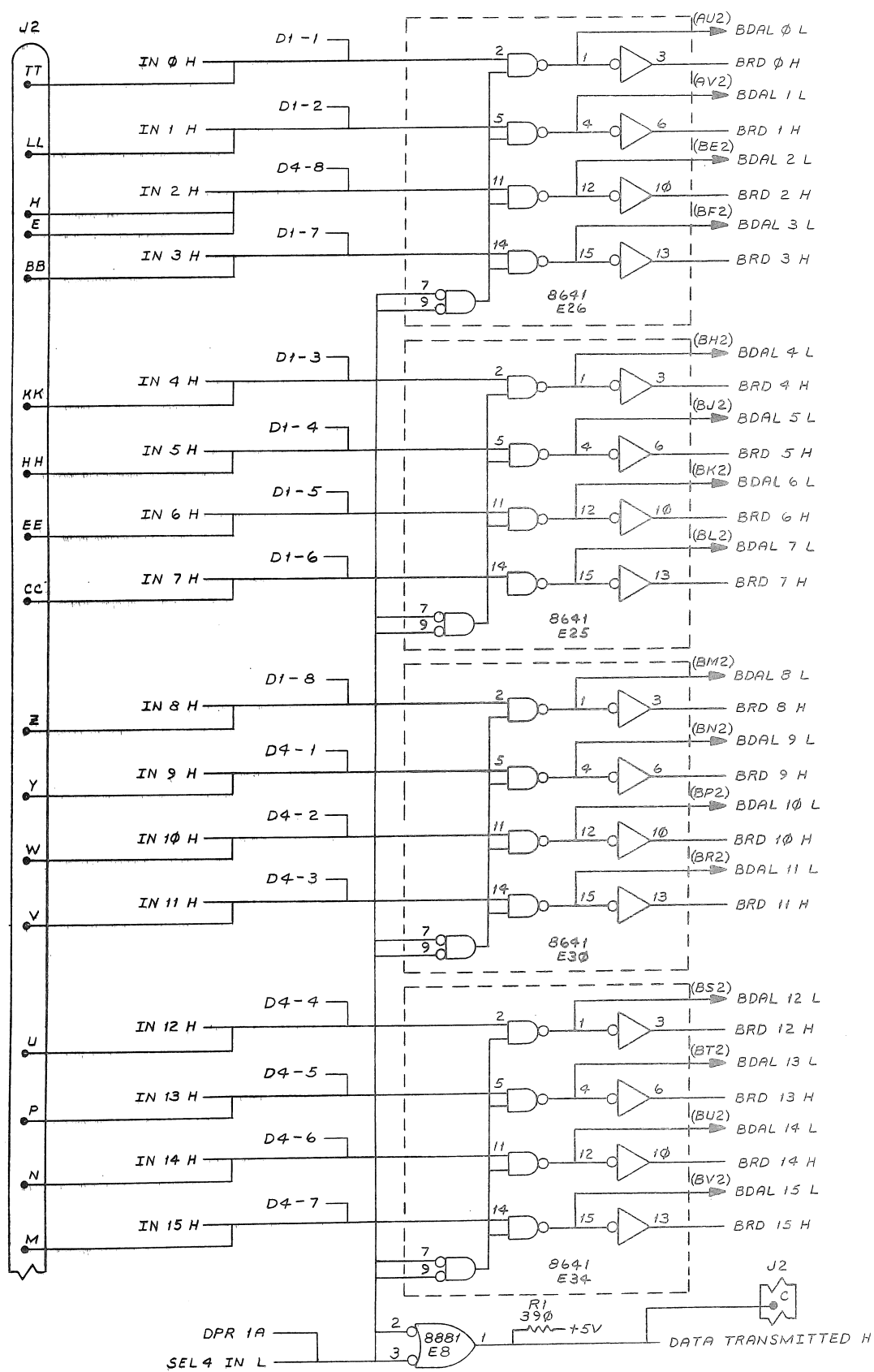
QTY	REF DESIGNATION	DESCRIPTION	PART NO.	ITEM NO.
PARTS LIST				
LSII				
ETCH BOARD REV C				
DRN. J. Vincent		DATE 4-2-75	TITLE PARALLEL LINE UNIT NUMBER M7941-0-1 REV. D	
CHK'D. J. Vincent		DATE 4-2-75		
ENGR. J. Vincent		DATE 6/12/75		
PROD. J. Vincent		DATE 6/12/75		
NEXT HIGHER ASSY				
DEC NO.		EIA NO.	SCALE 1 OF 4	
SEMICONDUCTOR CONVERSION CHART				

IC TYPE	GND	+5V
I.C. DEC MMI 6330	8	16
I.C. DEC 8837	8	16
I.C. DEC 8641	8	16
I.C. DEC 8136	8	16
I.C. DEC 74175	8	16
I.C. DEC 74157	8	16
I.C. DEC 7384	1	8

GND AND 5V ARE USUALLY PIN 7 AND 14 RESPECTIVELY EXCEPTIONS ARE STATED ABOVE

IC PIN LOCATIONS

"THIS DRAWING AND SPECIFICATIONS, HEREIN, ARE THE PROPERTY OF DIGITAL EQUIPMENT CORPORATION AND SHALL NOT BE REPRODUCED OR COPIED OR USED IN WHOLE OR IN PART AS THE BASIS FOR THE MANUFACTURE OR SALE OF ITEMS WITHOUT WRITTEN PERMISSION. COPYRIGHT © 1975 DIGITAL EQUIPMENT CORPORATION"

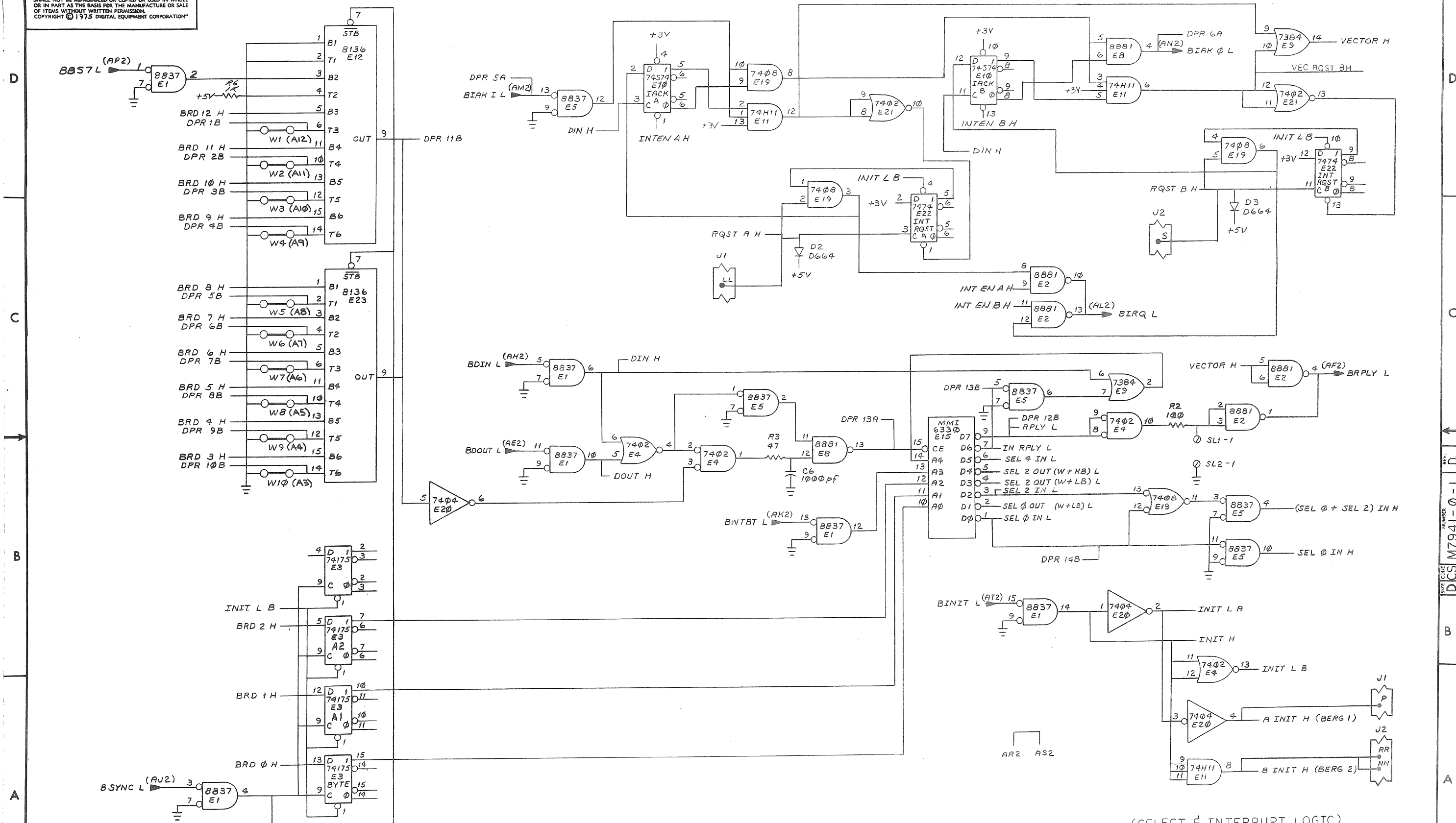


(DEVICE INPUT/OUTPUT DATA)

REVISIONS		
CHK	CHANGE NO.	REV.

TITLE	SIZE CODE	NUMBER	REV.
PARALLEL LINE UNIT	DCS	M7941-0-1	D
SCALE	SHEET	DIST.	
1/1	2 OF 4		

THIS DRAWING AND SPECIFICATIONS, HEREIN, ARE THE PROPERTY OF DIGITAL EQUIPMENT CORPORATION AND SHALL NOT BE REPRODUCED OR COPIED OR USED IN WHOLE OR IN PART AS THE BASIS FOR THE MANUFACTURE OR SALE OF ITEMS WITHOUT WRITTEN PERMISSION. COPYRIGHT © 1975 DIGITAL EQUIPMENT CORPORATION

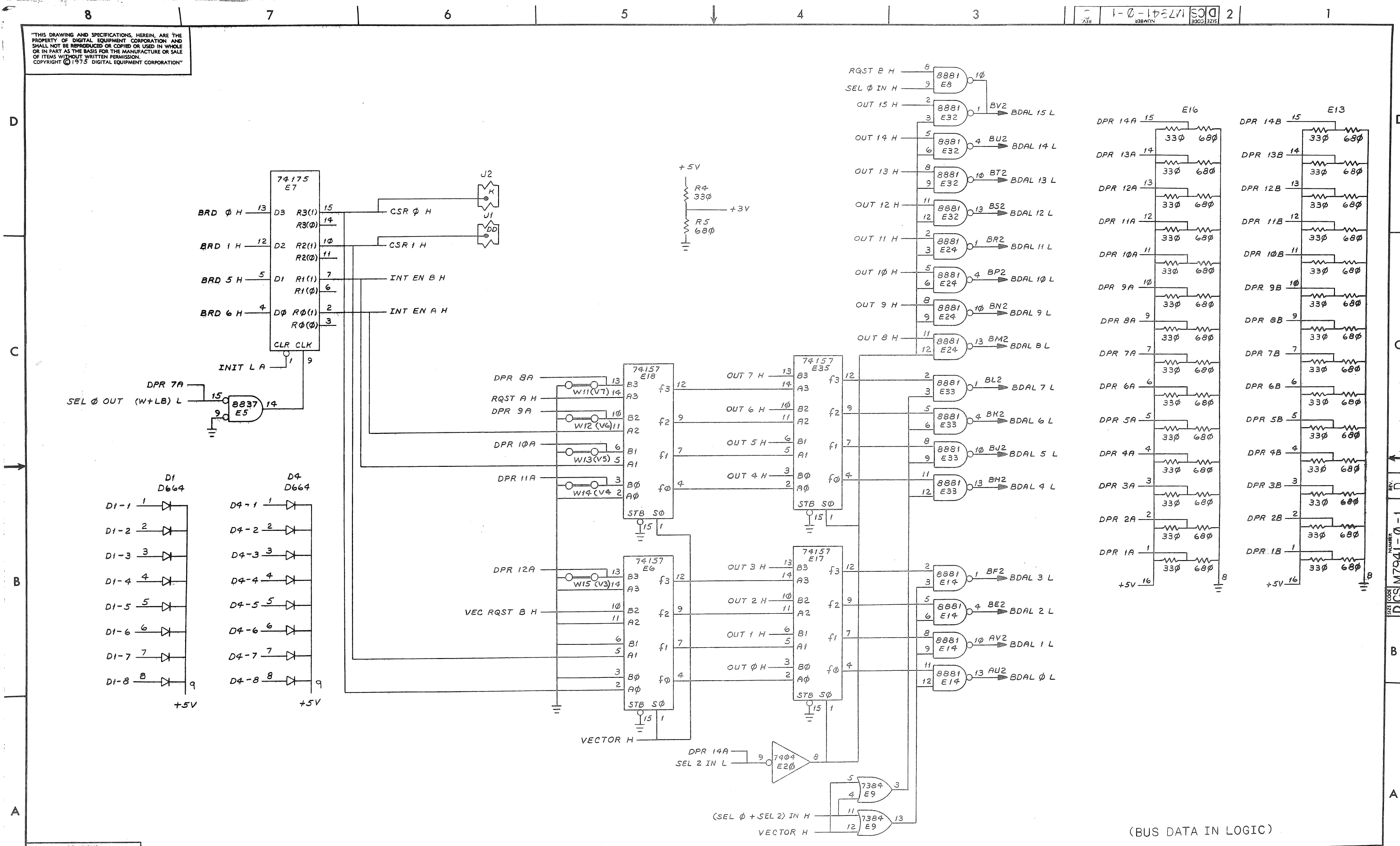


(SELECT & INTERRUPT LOGIC)

Table with 3 columns: CHK, CHANGE NO., REV.

Table with columns: TITLE (PARALLEL LINE UNIT), SIZE CODE (DCS), NUMBER (M7941-0-1), REV. (D), SHEET (3 OF 4), SCALE, DIST.

"THIS DRAWING AND SPECIFICATIONS, HEREIN, ARE THE PROPERTY OF DIGITAL EQUIPMENT CORPORATION AND SHALL NOT BE REPRODUCED OR COPIED OR USED IN WHOLE OR IN PART AS THE BASIS FOR THE MANUFACTURE OR SALE OF ITEMS WITHOUT WRITTEN PERMISSION. COPYRIGHT © 1975 DIGITAL EQUIPMENT CORPORATION"



(BUS DATA IN LOGIC)

REVISIONS		
CHK	CHANGE NO.	REV.

TITLE	SIZE CODE	NUMBER	REV.
PARALLEL LINE UNIT	D CS	M7941-0-1	D
SCALE	SHEET	DIST.	
	4 OF 4		