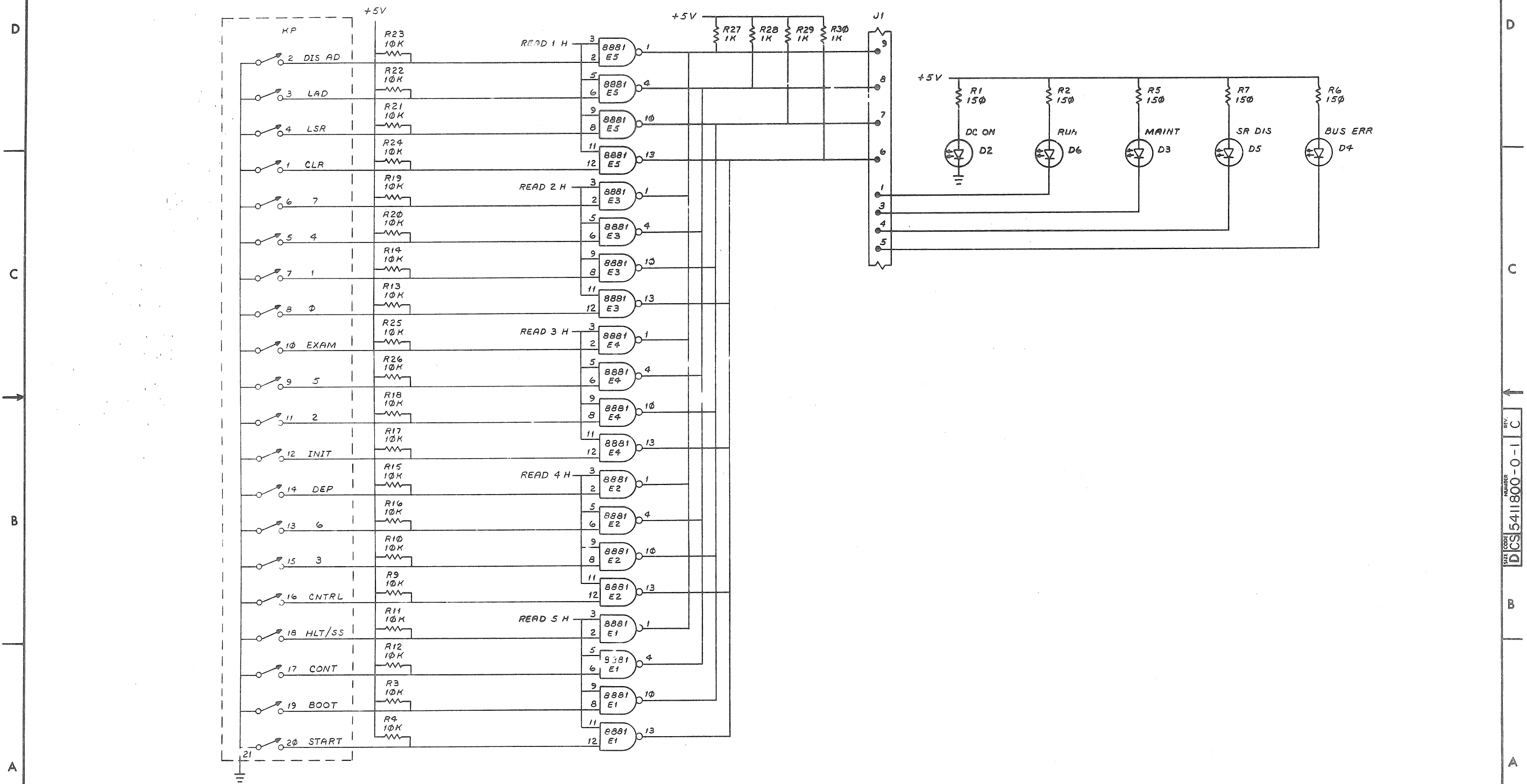


"THIS DRAWING AND SPECIFICATIONS, HEREIN, ARE THE PROPERTY OF DIGITAL EQUIPMENT CORPORATION AND SHALL NOT BE REPRODUCED OR COPIED OR USED IN WHOLE OR IN PART AS THE BASIS FOR THE MANUFACTURE OR SALE OF ITEMS WITHOUT WRITTEN PERMISSION. COPYRIGHT © 1975 DIGITAL EQUIPMENT CORPORATION"

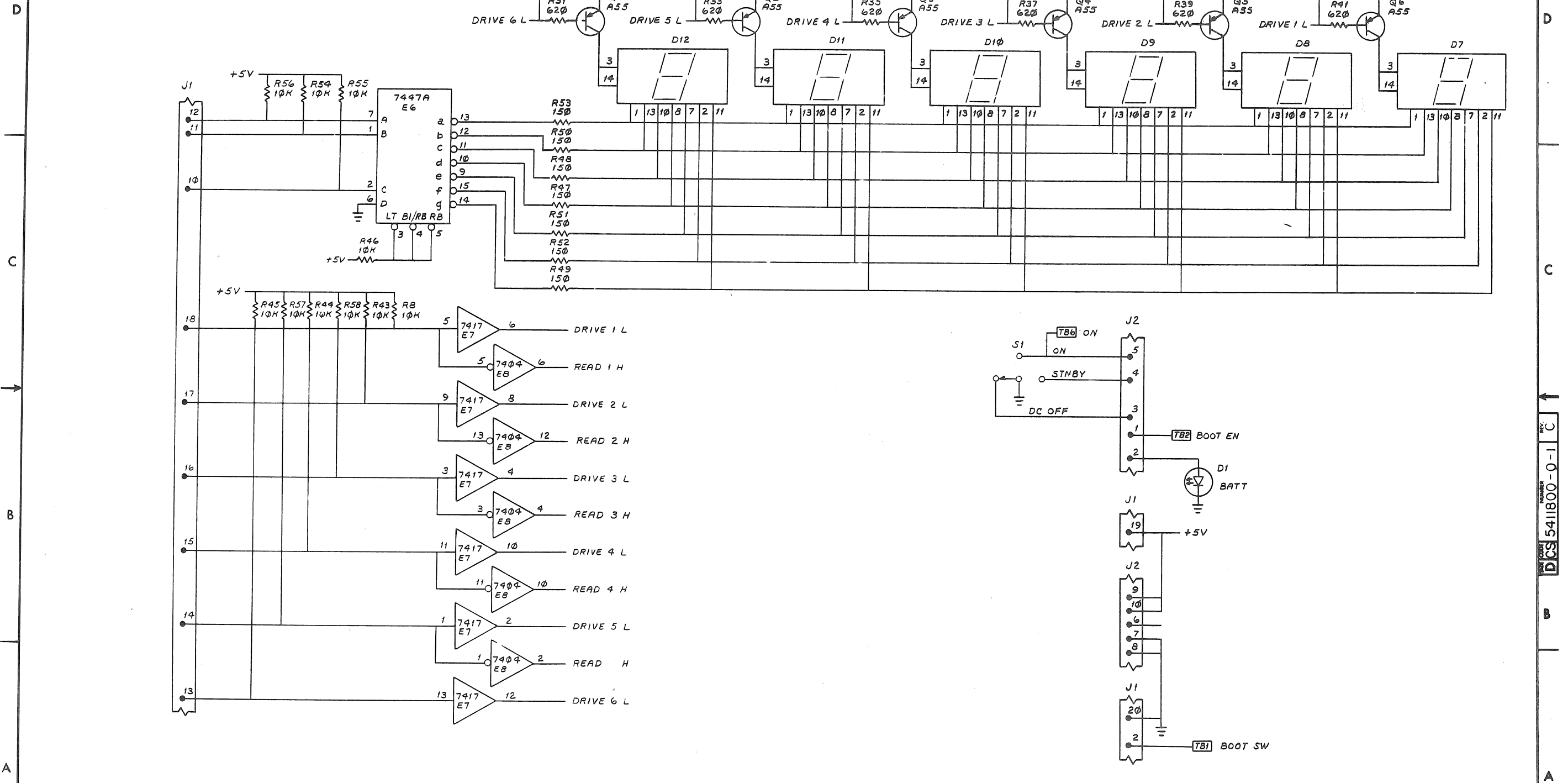


REVISIONS		
CHK	CHANGE NO.	REV.

TITLE	KY11-LB (CONSOLE BOARD)	SIZE CODE	DCS	NUMBER	5411800-0-1	REV.	C
SCALE		SHEET	2 OF 3	DIST.			

"THIS DRAWING AND SPECIFICATIONS, HEREIN, ARE THE PROPERTY OF DIGITAL EQUIPMENT CORPORATION AND SHALL NOT BE REPRODUCED OR COPIED OR USED IN WHOLE OR IN PART AS THE BASIS FOR THE MANUFACTURE OR SALE OF THIS WITHOUT WRITTEN PERMISSION. COPYRIGHT © 1975 DIGITAL EQUIPMENT CORPORATION"

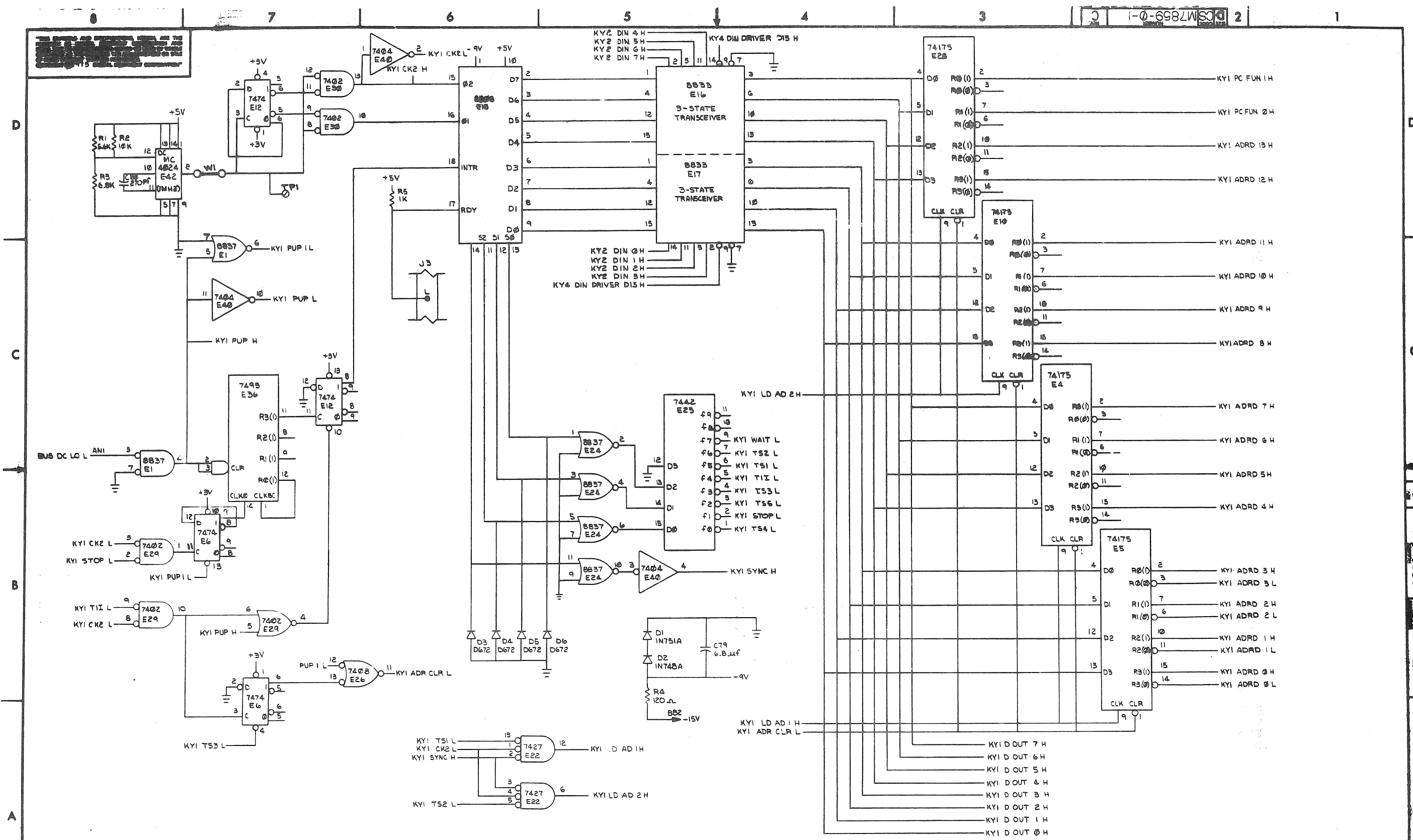
DCS 5411800-0-1 2



REVISIONS		
CHK	CHANGE NO.	REV.

TITLE KY11-LB
(CONSOLE BOARD)
SCALE 1/8" = 1"

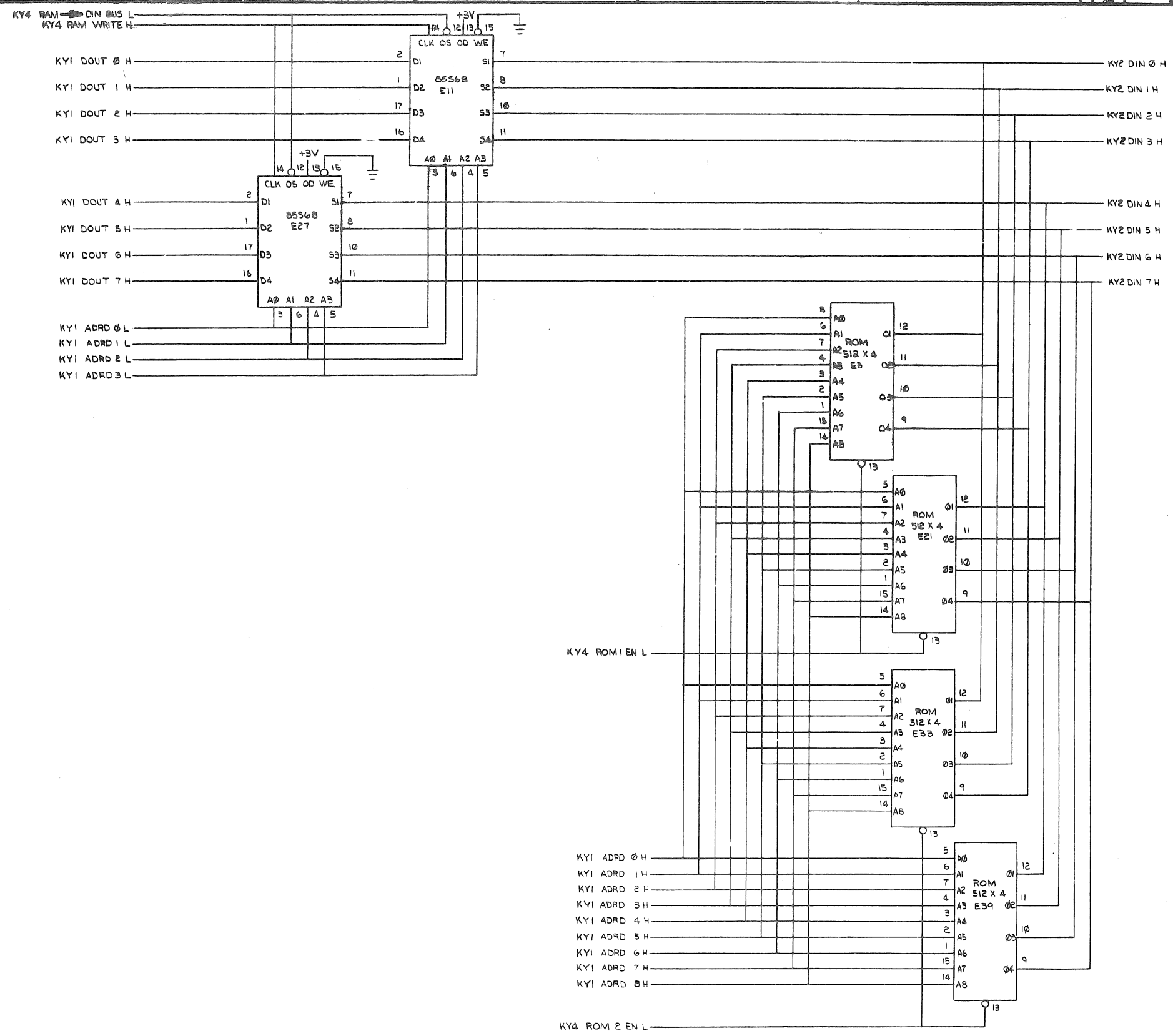
SIZE CODE DCS
NUMBER 5411800-0-1
SHEET 3 OF 3
REV. C



CH	RES	REV.

M7859-0-1

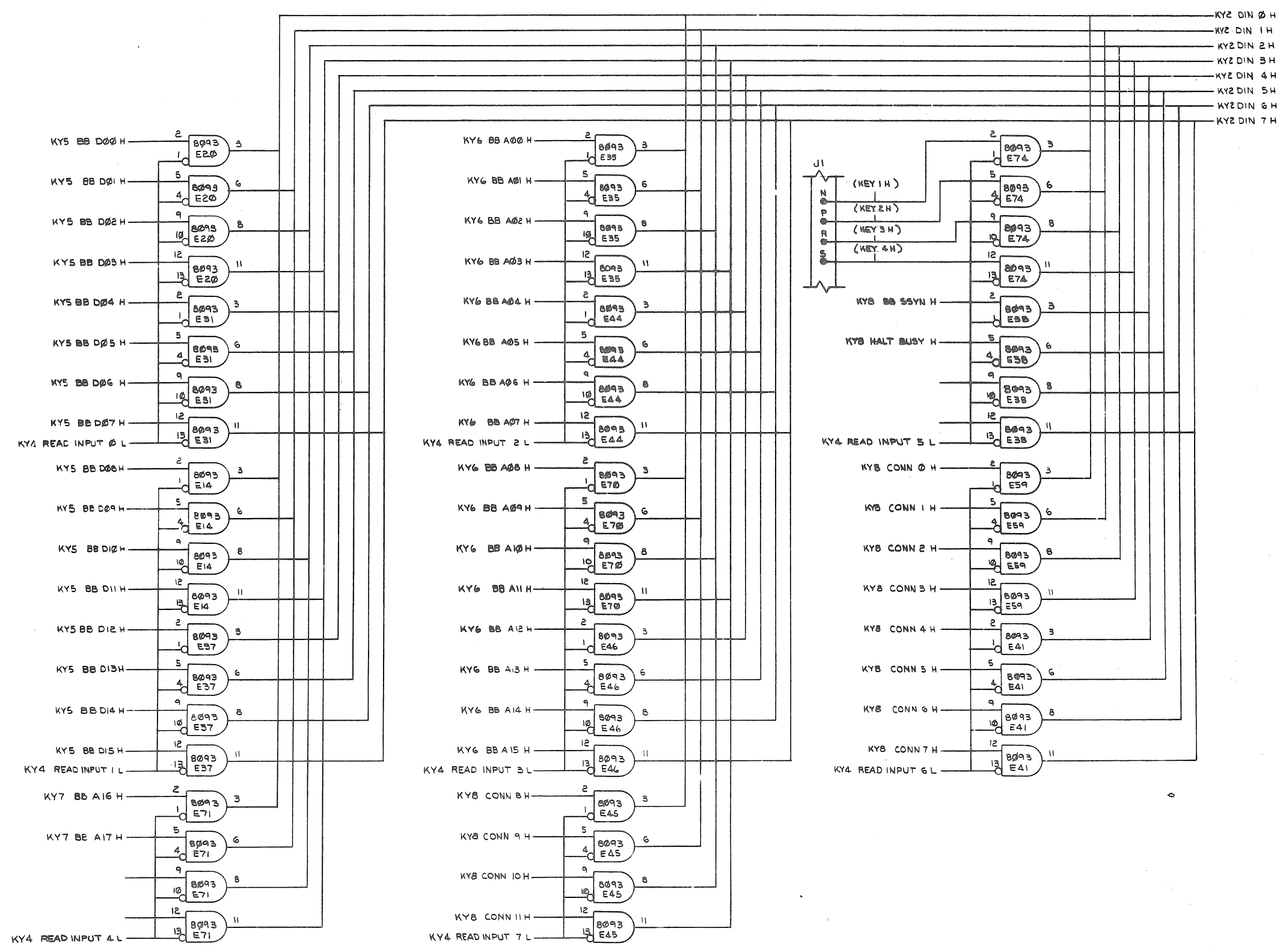
THIS DRAWING AND OPERATIONAL MANUAL ARE THE PROPERTY OF DEC. NO REPRODUCTION OR TRANSMISSION OF THIS DRAWING OR OPERATIONAL MANUAL IS PERMITTED WITHOUT THE WRITTEN PERMISSION OF DEC. REVISED 11/75 BY: [unreadable]



REVISIONS		
CHK	CHANGE NO.	REV.

DCSM7859-0-1

THIS DRAWING AND INFORMATION HEREON ARE THE PROPERTY OF THE UNITED STATES GOVERNMENT AND ARE LOANED TO YOU BY THE UNITED STATES GOVERNMENT. IT IS TO BE RETURNED TO THE UNITED STATES GOVERNMENT.

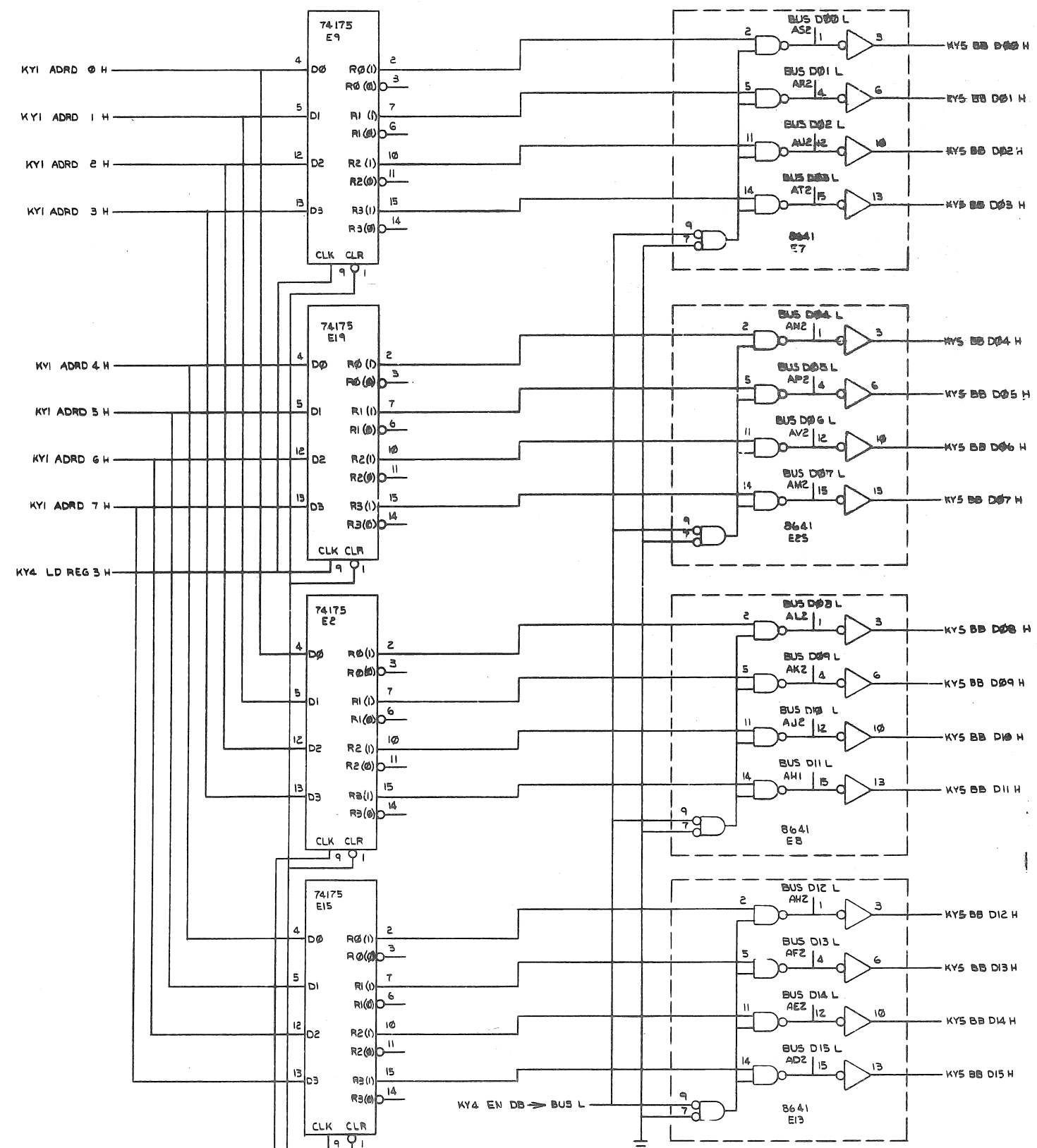


REVISIONS		
CHK	CHANGE NO.	REV.

DEC FORM NO. DTD 129

DCSM7859-0-1 C

74175 74175 74175 74175



D
C
B
A

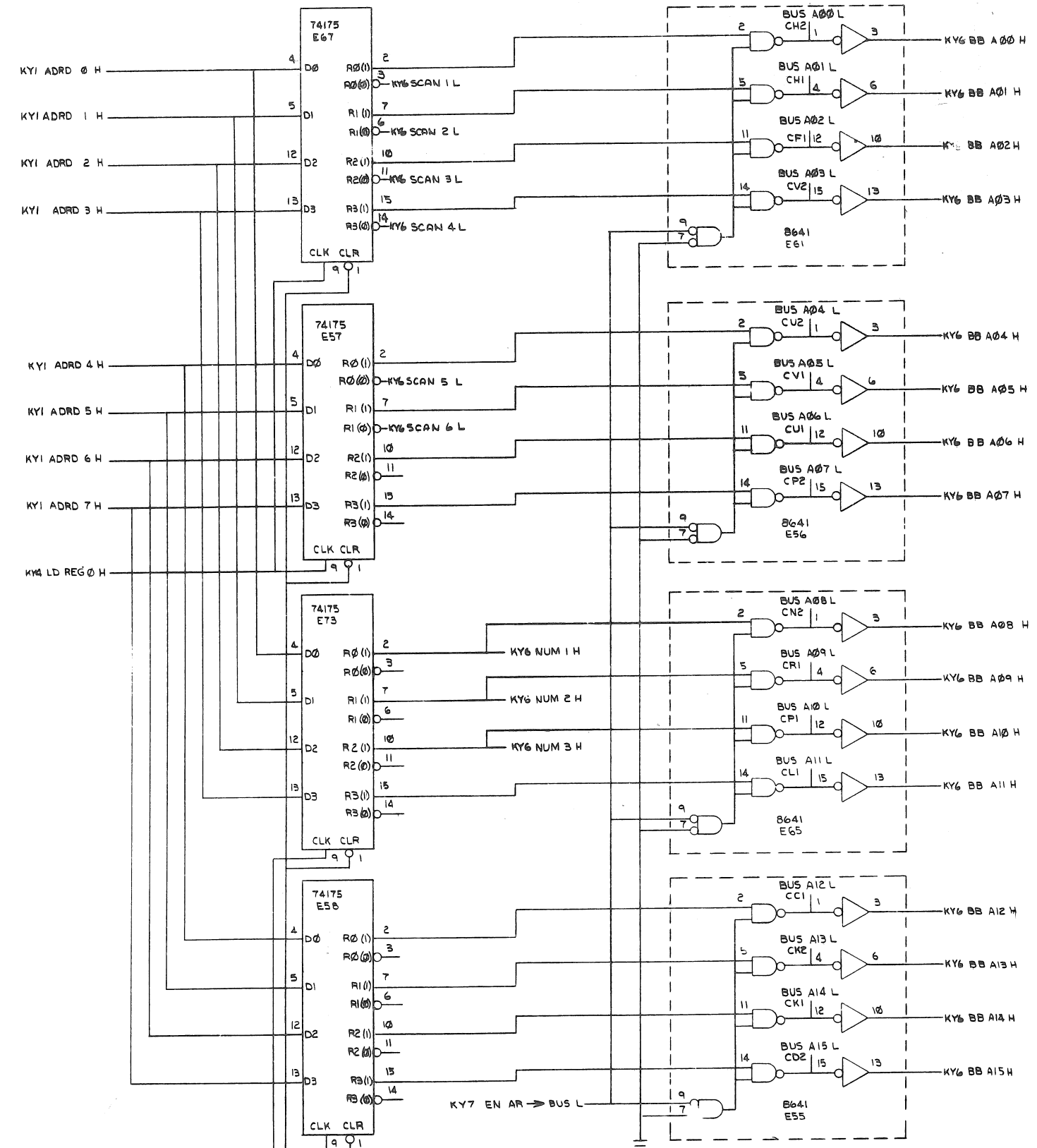
D
C
B
A

CHK	CHANGE NO.	REV.

KY4 LD REG 4 H
KY1 PUPIL

TITLE	INTERFACE (KY-5) PROGRAMMER'S CONSOLE	SIZE CODE	NUMBER	REV.
SCALE	SHEET 6 OF 9	DIST.	D CS M7859-0-1	C

THIS DRAWING AND INFORMATION HEREON ARE THE PROPERTY OF THE UNITED STATES GOVERNMENT AND ARE TO BE RELEASED TO THE PUBLIC BY THE NATIONAL ARCHIVES AND RECORDS SERVICE. FOR INFORMATION ON SALE OF THIS DRAWING, CONTACT THE NATIONAL ARCHIVES AND RECORDS SERVICE.

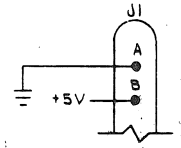
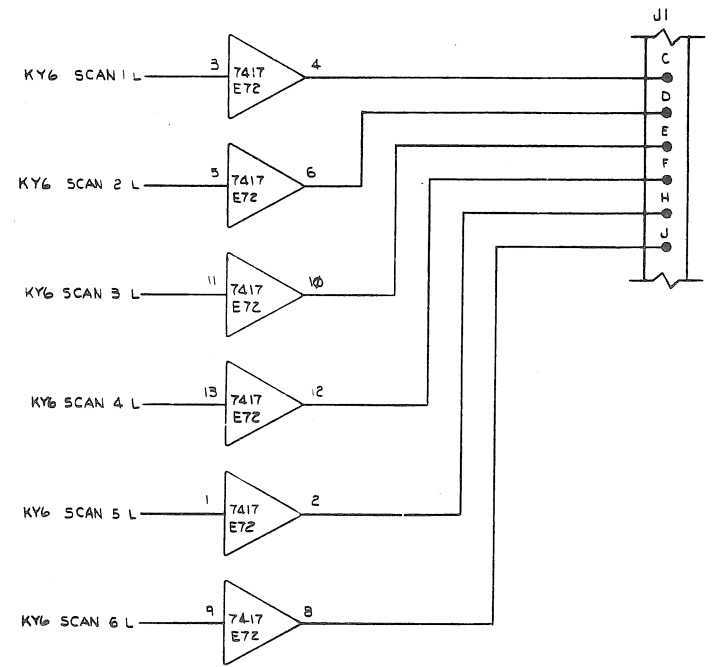
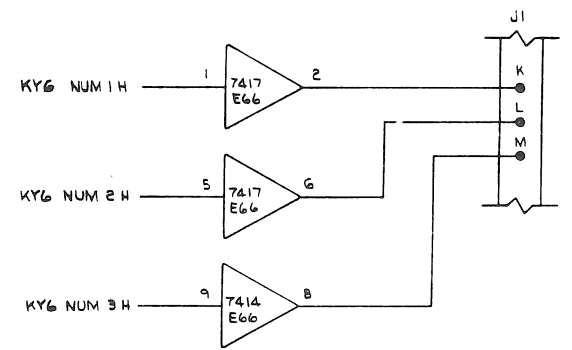
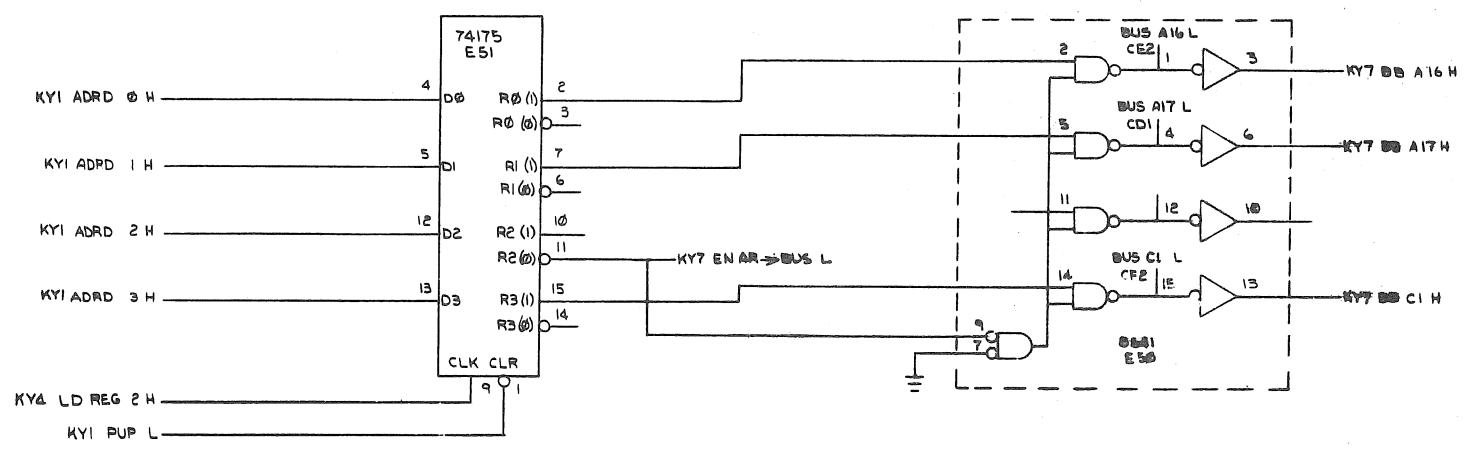


D
C
B
A

D
C
B
A

REVISIONS		
CHK	CHANGE NO.	REV.

THIS DRAWING IS THE PROPERTY OF THE U.S. GOVERNMENT AND IS TO BE REPRODUCED IN WHOLE OR IN PART BY ANYONE WITHOUT PERMISSION OF THE U.S. GOVERNMENT.



REVISIONS		
CHK	CHANGE NO.	REV.

DCS FORM NO. 100 100

