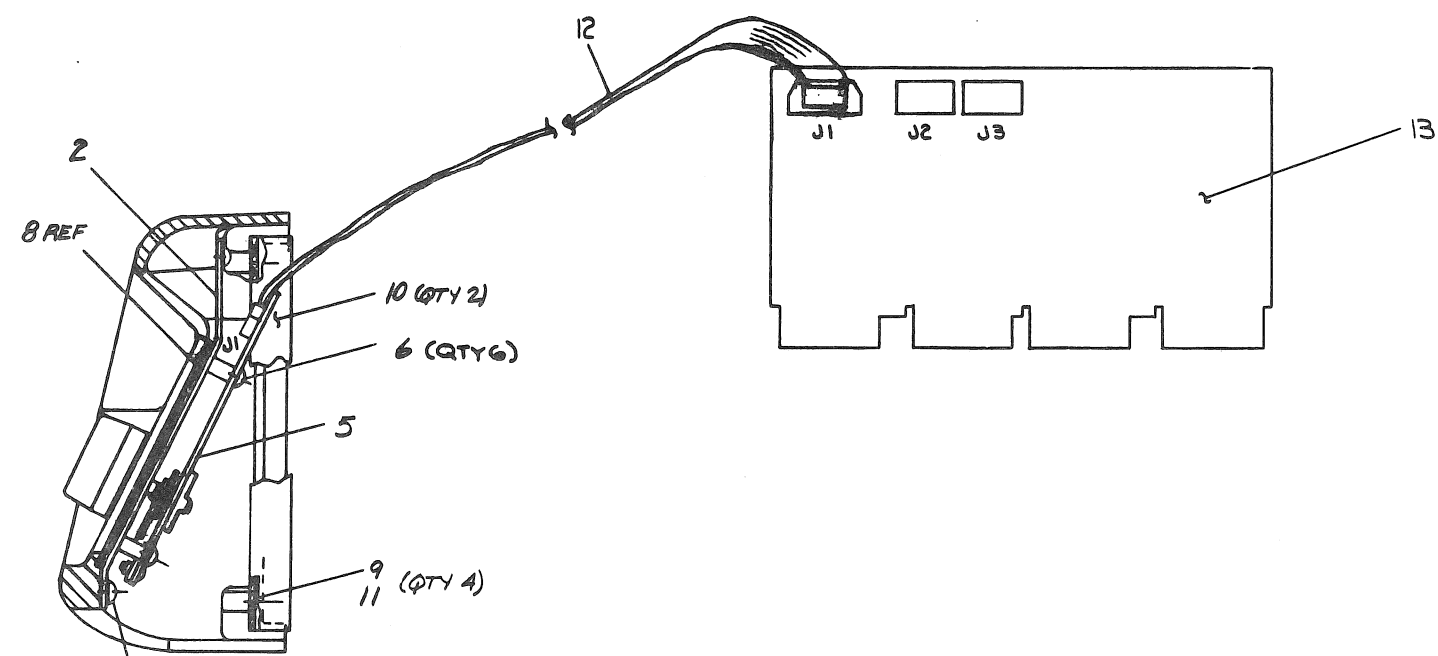
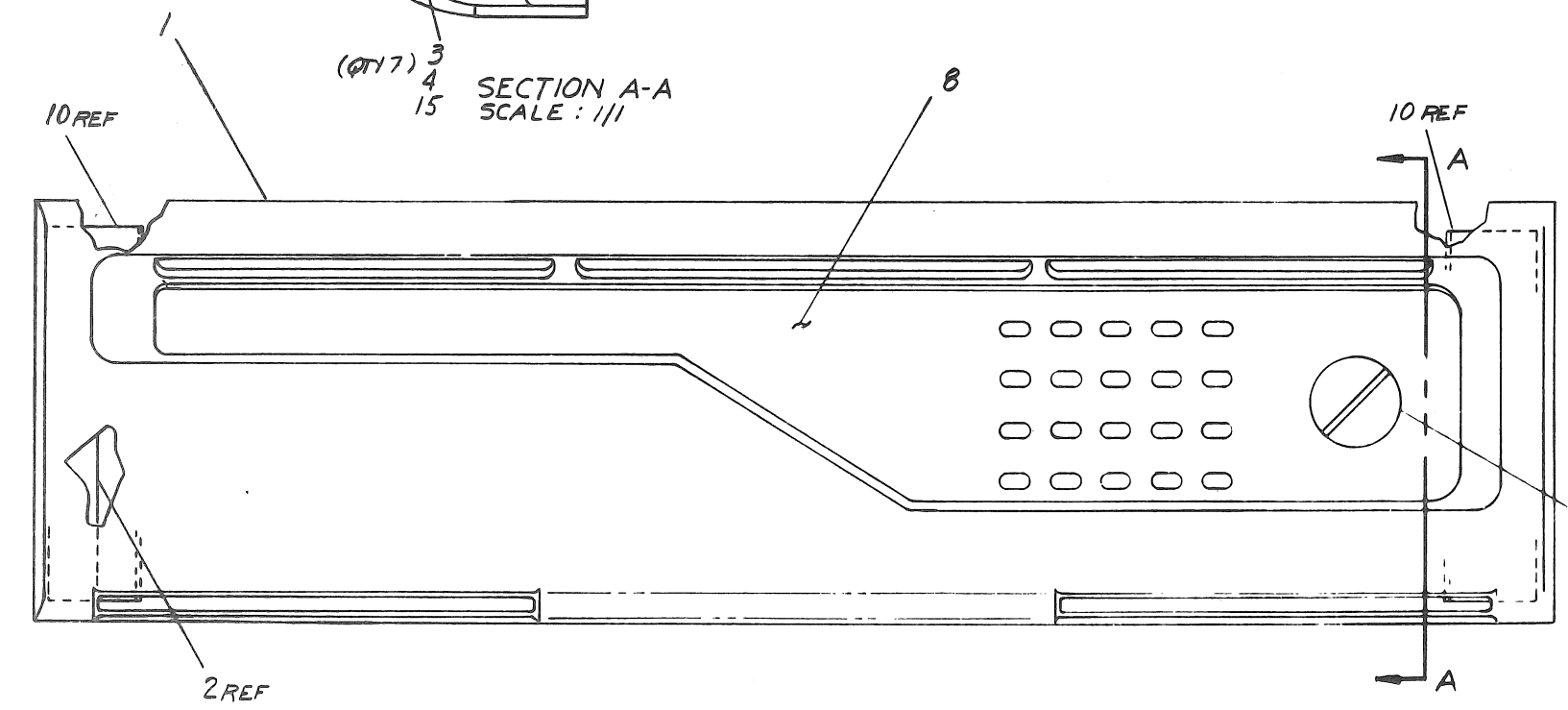


THE DRAWING AND SPECIFICATIONS HEREIN ARE THE PROPERTY OF DIGITAL EQUIPMENT CORPORATION AND SHALL NOT BE REPRODUCED OR COPIED OR USED IN WHOLE OR IN PART AS THE BASIS FOR THE MANUFACTURE OR SALE OF ITEMS WITHOUT WRITTEN PERMISSION. COPYRIGHT © DIGITAL EQUIPMENT CORPORATION

NOTES:
 1. ITEM #14 NOT SHOWN ON THIS ASSY, TO BE SUPPLIED AS LOOSE PIECE - 2 REQ'D
 2. PART #7413657-1-0 MAY BE USED WHEN 7415599 IS NOT AVAILABLE.



SECTION A-A
 SCALE: 1/1



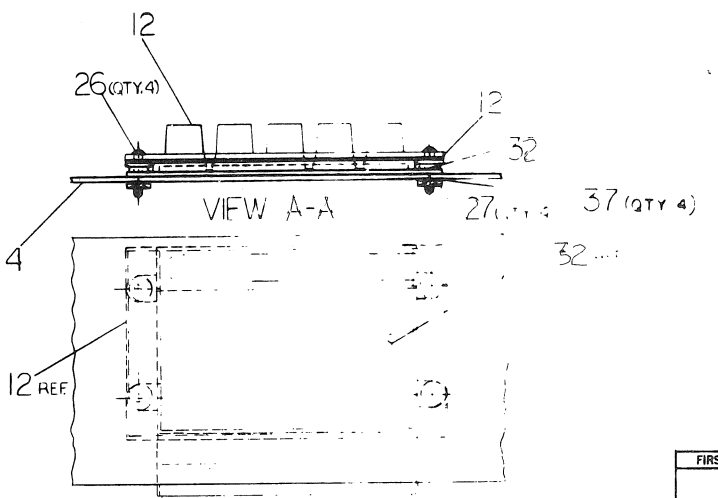
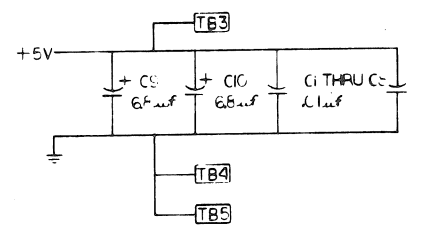
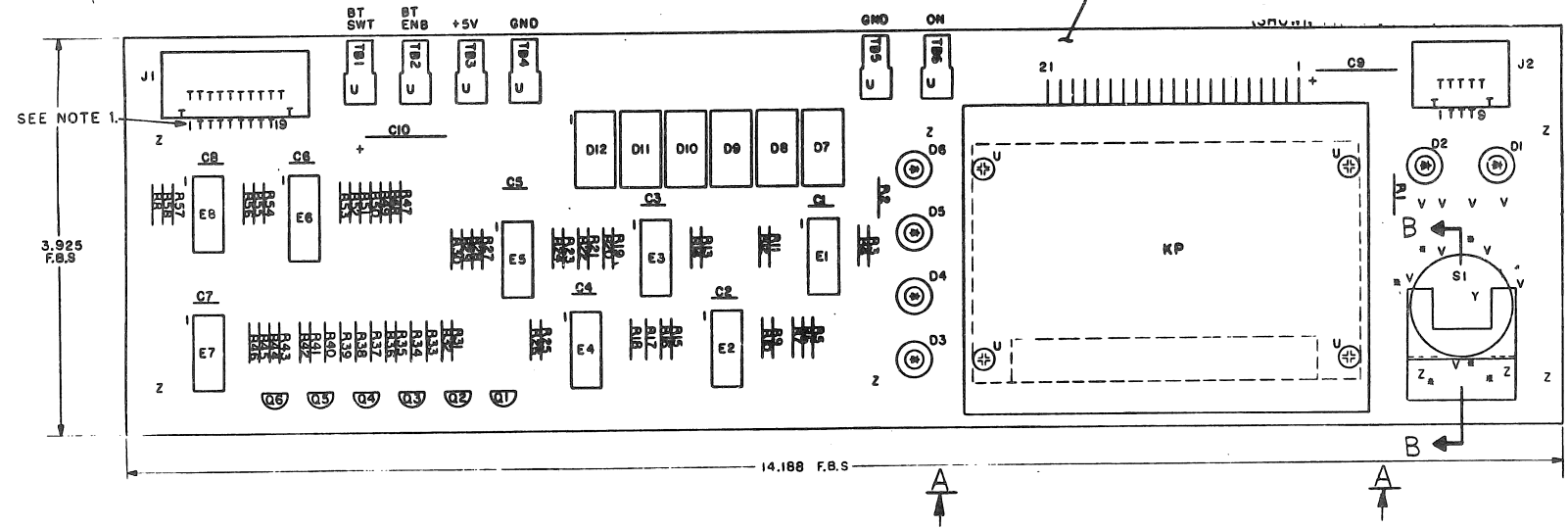
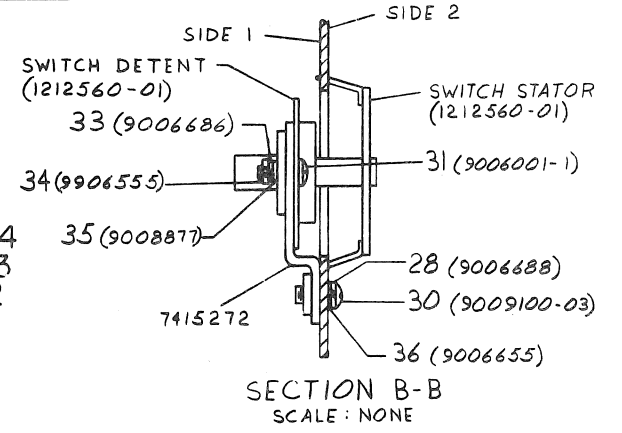
QTY	DESCRIPTION	ENCL. PART NO.	ITEM NO.
15	WASHER, FLAT, 375x.187x.036	9006660	15
2	CABLE CONS TO BACKPLANE	C-IA-7011411-1D-0	14
1	INTERFACE, PROG CNSL	D-CS-M7859-01	13
1	CABLE, CNSL TO M7859	D-IA-7012214-0-0	12
4	SPACER HEX 1/4x.38L	9006802	11
2	BRKT FILTER SUPPORT	C-ND-7449620-0	10
4	SCR PHIL FL HD #32x.62	9006040-2	9
1	PANEL, PROGRAMERS	D-IA-74150470-0	8
1	KNOB, ROTARY	1212570	7
6	SCR PHIL HD PAN #632x.38	X006022-1	6
1	CIRCUIT ETCH BD KY11-LB	D-CS-541 800-0-1	5
7	SCR FILL HD PAN #8-32x.31	9006799-C6	4
7	WASHER, SPRING LOCK	9006690	3
1	SUPPORT, PANEL	D-IA-7415048-0-0	2
1	BEZEL 11/04	EMD-7415599-0-0	1

THIRD ANGLE PROJECTION		UNLESS OTHERWISE SPECIFIED DIMENSIONS ARE IN INCHES	
<p>REMOVE BURRS AND BREAK SHARP CORNERS</p> <p>DO NOT SCALE DWG</p> <p>MATERIAL: <i>Al</i></p> <p>FINISH: <i>Asm</i></p>	<p>QUANTITY & VARIATION</p> <p>ANGLES 10° 30°</p> <p>SURFACE QUALITY IN MICRONS</p> <p>CLASS OF ACCURACY (CHECK ONE)</p> <p>PREPARED</p>	<p>DRN: <i>W/202</i></p> <p>CHKD: <i>W/202</i></p> <p>ENG: <i>W/202</i></p> <p>PROJ. ENG. <i>W/202</i></p> <p>PROD. <i>W/202</i></p> <p>NEXT HIGHER ASSY.</p> <p>SCALE: <i>1/1</i></p> <p>SHEET: <i>OP</i></p>	<p>FIRST USED ON: <i>11/76</i></p> <p>TITLE: CONSOLE ASSY PROGRAMERS</p> <p>SIZE: <i>B-LD-7 1/1-LB</i></p> <p>CODE: <i>D UA</i></p> <p>NUMBER: <i>KY11-LB-0</i></p> <p>REV. <i>B</i></p>

REV.	DATE	BY	CHKD
1	11-22-76	B. COURTEMANCHE	
2	11-22-76	P. PORRECA	

"THIS DRAWING AND SPECIFICATIONS HEREIN ARE THE PROPERTY OF DIGITAL EQUIPMENT CORPORATION AND SHALL NOT BE REPRODUCED OR COPIED OR USED IN WHOLE OR IN PART AS THE BASIS FOR THE MANUFACTURE OR SALE OF ITEMS WITHOUT WRITTEN PERMISSION FROM DIGITAL EQUIPMENT CORPORATION © 1975

NOTES:
 1. ARROW ON BOARD IS TO LINE UP WITH ARROW ON CONNECTOR (J1 & J2).



REF	X-Y COORDINATE HOLE LOCATION	K-CD-5411800-0-4	1	
REF	ASSY/DRILLING HOLE LAYOUT	D-AH 5411800-0-5	2	
REF	MODULE ECO HISTORY	B-MH-5411800-0-6	3	
1	ETCHED CIRCUIT BOARD	9011759	4	
8	C1 THRU C8	CAPACITOR, .01uf, 100V, 20%	1001610-01	5
2	C9, C10	CAPACITOR, 0.0uf, 35 VDC, 10%	1005306	6
8	D1 THRU D6	DIODE, LIGHT EMITTING	1110884	7
8	D7 THRU D12	7 SEGMENT, DISPLAY	1911297	8
1	J1	CONNECTOR, 20 PIN	1209941-06	9
1	J2	CONNECTOR, 10 PIN	1209941-05	10
1	S1	SWITCH, ROTARY, 3 POSITION	1212560-01	11
1	KP	KEYPAD	1211856	12
6	D7 THRU D12	SOCKET, 14 PIN	1211813-01	13
12	R1, R2, R5, R6, R7, R47 THRU R53	RESISTOR, 150 OHM, 1/4W, 5%	1300250	14
10	R32, R34, R36, R38, R40, R42, R27 THRU R30	RESISTOR, 1K, 1/4W, 5%	1300365	15
8	R31, R33, R35, R37, R39, R41	RESISTOR, 620 OHM, 1/4W, 5%	1303178	16
30	R3, R4, R8 THRU R26, R43 THRU R46, R54 THRU R59	RESISTOR, 10K, 1/4W, 5%	1300479	17
8	Q1 THRU Q6	TRANSISTOR, MPSA55	1510706	18
1	E8	I.C. DEC 7404	1909886	19
1	E7	I.C. DEC 7417	1909929	20
1	E6	I.C. DEC 7447A	1911295	21
5	E1 THRU E5	I.C. DEC 8881	1909705	22
8		EYELET	9009000	23
6	TB1 THRU TB6	TERMINAL, QUICK DISCONNECT	9007112	24
6		WASHER, SHOULDER	9006318	25
4		SCREW, PHILLIPS #4/40 x 9/16 LG	900093-01	26
4		NUT, KEP #4/40	9006567	27
2		WASHER, LOCK #4	9006688	28
1		BRACKET, SWITCH	7415272	29
2		SCREW, PHILLIPS # 4/40 X 1/4 LG	9009100-03	30
2		SCREW PHILLIPS #2-56 X 1/4 LG	9006001-1	31
1		RETAIN, KEY BOARD ASSY.	C-IA-7013177-0-0	32
2		WASHER, LOCK #2	9006686	33
2		NUT, HEX	9006555	34
2		WASHER, FLAT #2	9008877	35
2		WASHER, FLAT #4	9006655	36
4		WASHER, NYLON	9006706	37

QTY	REF. DESIGNATION	DESCRIPTION	PART NO.	ITEM NO.
PARTS LIST				
ETCH BOARD REV. C				
FIRST USED ON OPTION MODEL				

IC TYPE	GND	+5V
I.C. DEC 7447A	8	16

GND AND 5V ARE USUALLY PIN 7 AND 14 RESPECTIVELY EXCEPTIONS ARE STATED ABOVE

IC PIN LOCATIONS

REV	DATE	BY	CHK
1	9-19-75	J. Wainwright	
2	11-26-75	R. G. Guss	
3	11-26-75	R. G. Guss	
4	11-26-75	R. G. Guss	

DEC NO.	EIA NO.	DEC NO.	EIA NO.

digital

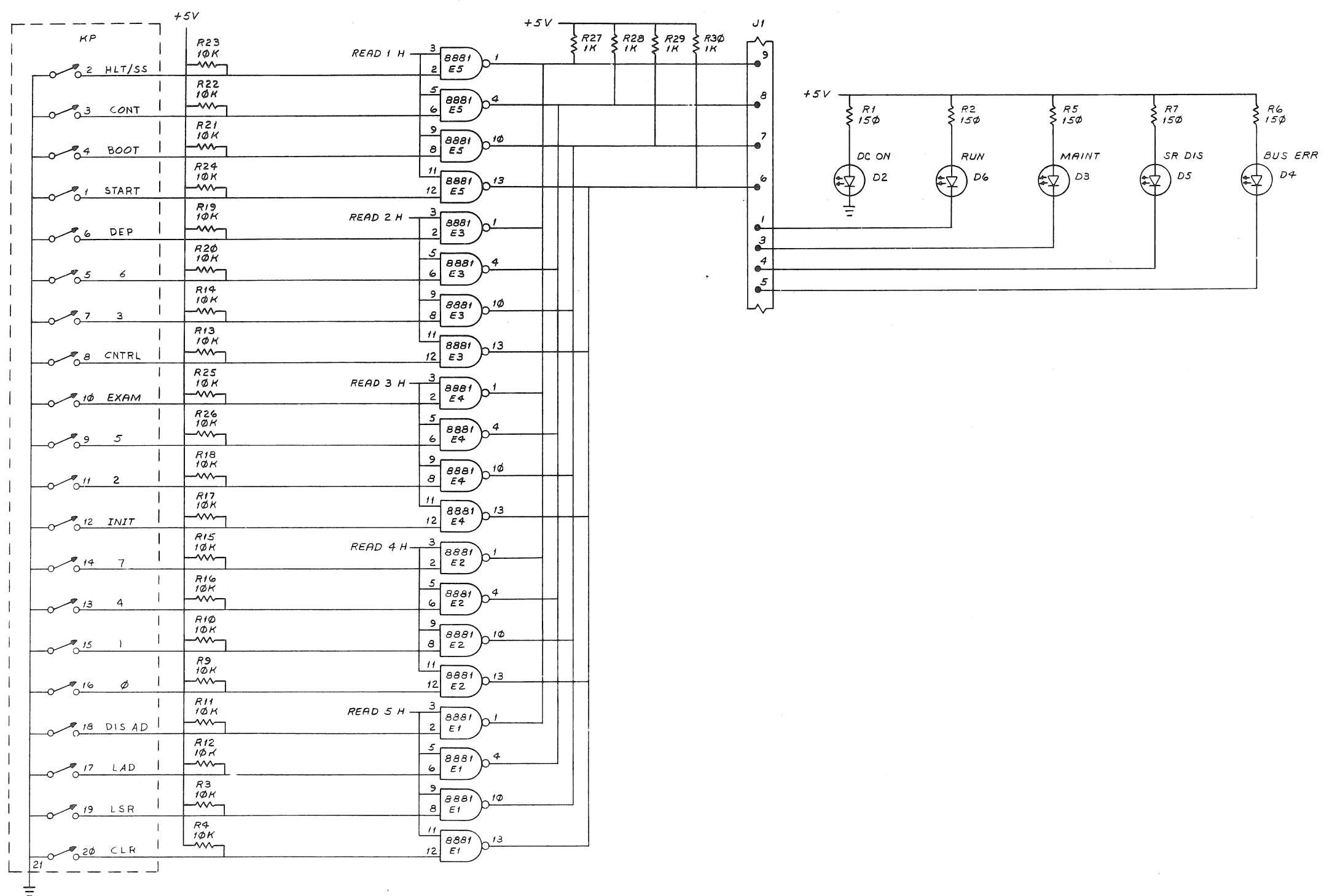
TITLE
 KY11-LB
 (CONSOLE BOARD)

SIZE CODE NUMBER REV.
 DCS 5411800-0-1 D

SCALE SHEET 1 OF 3

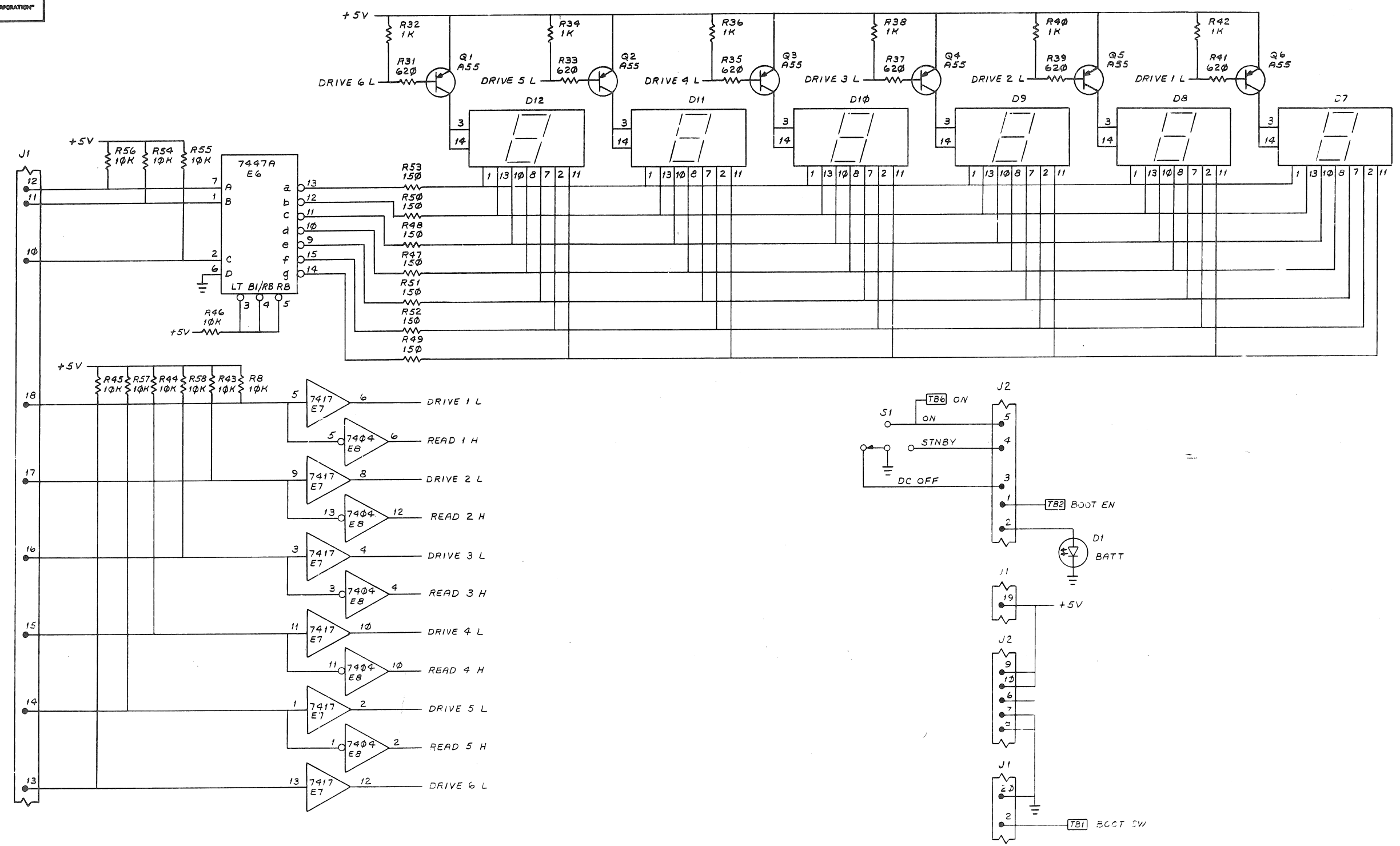
SEMICONDUCTOR CONVERSION CHART

"THIS DRAWING AND SPECIFICATIONS, HEREIN, ARE THE PROPERTY OF DIGITAL EQUIPMENT CORPORATION AND SHALL NOT BE REPRODUCED OR COPIED OR USED IN WHOLE OR IN PART AS THE BASIS FOR THE MANUFACTURE OR SALE OF ITEMS WITHOUT WRITTEN PERMISSION. COPYRIGHT © 1975 DIGITAL EQUIPMENT CORPORATION"



REVISIONS		
CHK	CHANGE NO.	REV.

"THE DRAWING AND SPECIFICATIONS HEREIN ARE THE PROPERTY OF DIGITAL EQUIPMENT CORPORATION AND SHALL NOT BE REPRODUCED OR COPIED OR USED IN WHOLE OR IN PART AS THE BASIS FOR THE MANUFACTURE OR SALE OF ITEMS WITHOUT WRITTEN PERMISSION. COPYRIGHT © 1975 DIGITAL EQUIPMENT CORPORATION"



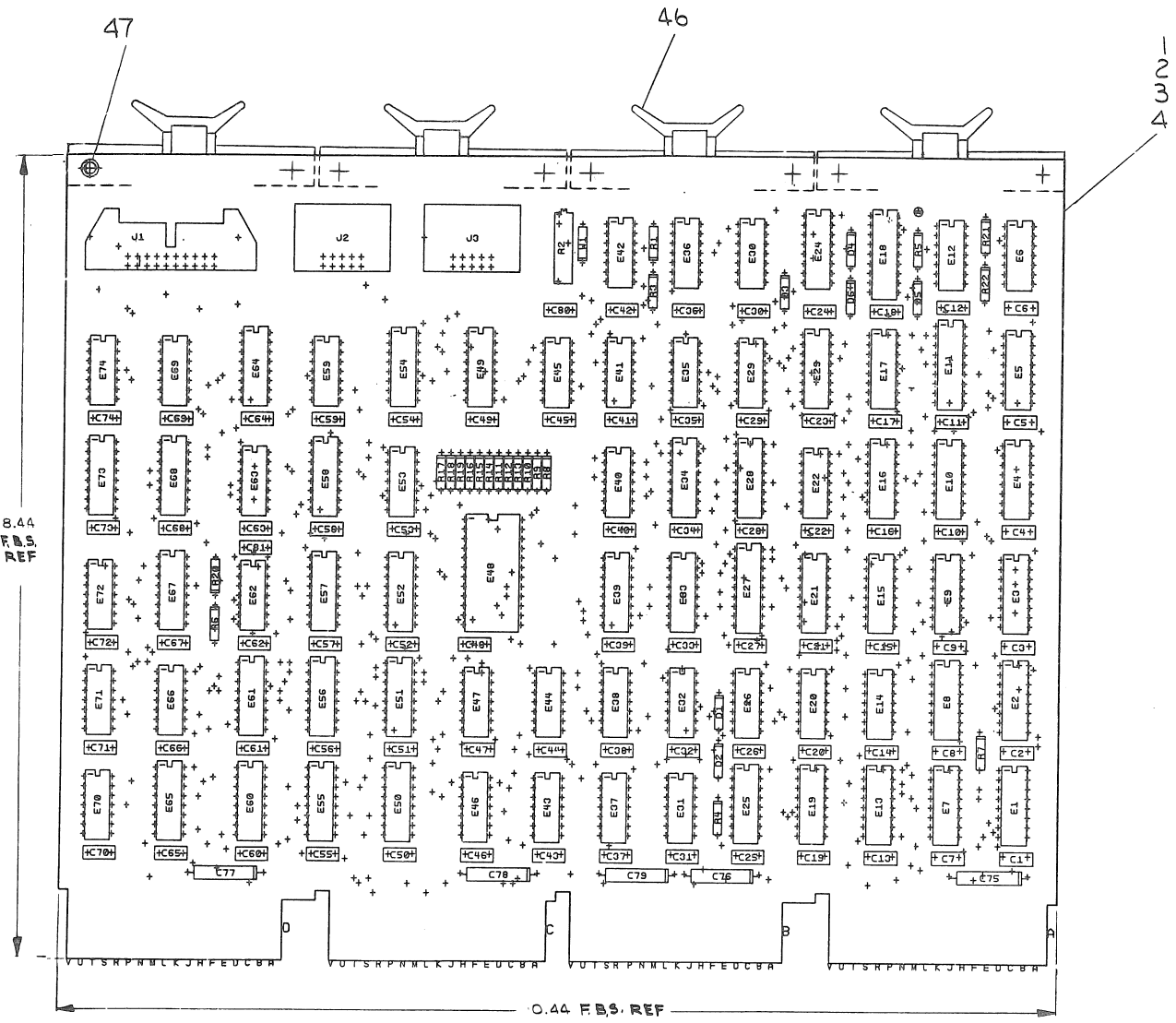
REVISIONS		
CHK	CHANGE NO	REV

TITLE	KY11-LB (CONSOLE BOARD)	SIZE CODE	DCS	NUMBER	5411800-0-1	REV.	U
SCALE		SHEET	3 OF 3	DIST.			

DCS 5411800-0-1 U

"THIS DRAWING AND SPECIFICATIONS HEREIN ARE THE PROPERTY OF DIGITAL EQUIPMENT CORPORATION AND SHALL NOT BE REPRODUCED OR COPIED OR USED IN WHOLE OR IN PART AS THE BASIS FOR THE MANUFACTURE OR SALE OF ITEMS WITHOUT WRITTEN PERMISSION.
 COPYRIGHT © 1975 DIGITAL EQUIPMENT CORPORATION"

NOTES:



REF	X-Y COORDINATE HOLE LOCATION	K-CO-M7859-0-4	1
REF	ASSY/DRILLING HOLE LAYOUT	D-AH-M7859-0-5	2
REF	MODULE ECO HISTORY	B-MH-M7859-0-6	3
1	ETCHED CIRCUIT BOARD	5011756	4
1	C80	CAPACITOR, 270pf, 100V, 5%	1000022
1	C81	CAPACITOR, 470pf, 100V, 5%	1000024
74	C1 THRU C74	CAPACITOR, .01uf, 100V, 20% DISC	1001610-01
5	C75 THRU C79	CAPACITOR, 8.0uf, 35V, 10%	1005306
1	D2	DIODE, 1N749 A	1100122
4	D3 THRU D6	DIODE, D672	1105275
1	D1	DIODE, 1N751 A	1110994
2	J2, J3	CONNECTOR, 10 PIN, 3M	1209941-05
1	J1	CONNECTOR, 20 PIN, 3M	1209941-06
1	E1B	SOCKET I.C.	1211666
1	R20	RESISTOR, 100 OHM, 1/4W, 5%	1300229
1	R4	RESISTOR, 120 OHM, 1/4W, 5%	1300247
1	R21	RESISTOR, 220 OHM, 1/4W, 5%	1300271
3	R5, R6, R7	RESISTOR, 1K, 1/4W, 5%	1300365
12	R8 THRU R19	RESISTOR, 10K, 1/4W, 5%	1300479
1	R22	RESISTOR, 750 OHM, 1/4W, 5%	1301401
1	R3	RESISTOR, 6.8K, 1/4W, 5%	1301423
1	R1	RESISTOR, 5.6K, 1/4W, 5%	1301874
1	R2	RESISTOR, 10K, 3/4W, 10% POT 76 PR	1309143-10
3	E6, E12, E63	I.C. DEC 7474	1905547
2	E29, E30	I.C. DEC 7402	1909004
1	E36	I.C. DEC 7493	1909054
2	E40, E47	I.C. DEC 7404	1909686
1	E48	I.C. DEC 74154	1909701
1	E32	I.C. DEC 314	1909704
2	E43, E62	I.C. DEC 9801	1909705
3	E66, E69, E72	I.C. DEC 7417	1909929
1	E23	I.C. DEC 7442	1910046
2	E26, E53	I.C. DEC 7408	1910155
16	E2, E4, E5, E9, E10, E15, E19, E28, E51, E52, E58, E57, E64, E67, E68, E73	I.C. DEC 74175	1910651
14	E14, E20, E31, E35, E37, E38, E41, E44, E45, E46, E59, E70, E71, E74	I.C. DEC 8093	1910837
1	E22	I.C. DEC 7427	1910878
1	E42	I.C. DEC MC4024 P	1911038
4	E1, E24, E49, E54	I.C. DEC 8837	1911116
9	E7, E8, E13, E25, E50, E55, E56, E61, E65	I.C. DEC 8641	1911579
1	E60	I.C. DEC 74S133	1911983
2	E16, E17	I.C. DEC 8833	1912099
2	E11, E27	I.C. DEC 85588	1912586
1	E18	I.C. DEC 8009-1	2111644
1		SPLIT JUG	9006735
1	E34	I.C. DEC PROM 32 x 8 TRI STATE	2312341
4		HANDLE (P.C. 7-1)	9008337-6
8		EYELET	9006732
1	E33	I.C. DEC PROM 512 x 4 TRI STATE	2334549
1	E39	I.C. DEC PROM 512 x 4 TRI STATE	23346A9
1	E3	I.C. DEC PROM 512 x 4 TRI STATE	23347A9
1	E21	I.C. DEC PROM 512 x 4 TRI STATE	23348A9

IC 74S133	8	16
IC 8641	8	16
IC 8837	8	16
IC MC4024 P	9	13
IC 74175	8	16
IC 7442	8	16
IC 314	1	8
IC 74154	12	24
IC 7493	10	5
IC TYPE	GND	+5V
GND AND 5V ARE USUALLY PIN 7 AND 14 RESPECTIVELY EXCEPTIONS ARE STATED ABOVE		
IC PIN LOCATIONS		

QTY	REF. DESIGNATION	DESCRIPTION	PART NO.	ITEM NO.												
FIRST USED ON OPTION MODEL																
ETCH BOARD REV. C																
PARTS LIST																
<table border="1"> <tr> <td>DRN: 13</td> <td>DATE: 12/75</td> </tr> <tr> <td>CHK'D: [Signature]</td> <td>DATE: 12-75</td> </tr> <tr> <td>ENG: [Signature]</td> <td>DATE: 12-75</td> </tr> <tr> <td>PROJ. ENG: [Signature]</td> <td>DATE: 12-75</td> </tr> <tr> <td>PRP: [Signature]</td> <td>DATE: 12-75</td> </tr> <tr> <td colspan="2">NEXT HIGHER ASSY</td> </tr> </table>					DRN: 13	DATE: 12/75	CHK'D: [Signature]	DATE: 12-75	ENG: [Signature]	DATE: 12-75	PROJ. ENG: [Signature]	DATE: 12-75	PRP: [Signature]	DATE: 12-75	NEXT HIGHER ASSY	
DRN: 13	DATE: 12/75															
CHK'D: [Signature]	DATE: 12-75															
ENG: [Signature]	DATE: 12-75															
PROJ. ENG: [Signature]	DATE: 12-75															
PRP: [Signature]	DATE: 12-75															
NEXT HIGHER ASSY																
<table border="1"> <tr> <td>DEC NO.</td> <td>EIA NO.</td> <td>DEC NO.</td> <td>EIA NO.</td> </tr> <tr> <td></td> <td></td> <td></td> <td></td> </tr> </table>					DEC NO.	EIA NO.	DEC NO.	EIA NO.								
DEC NO.	EIA NO.	DEC NO.	EIA NO.													
SEMICONDUCTOR CONVERSION CHART																
<table border="1"> <tr> <td>SCALE: 1 OF 9</td> <td>SHEET: 1 OF 9</td> <td>DIST.:</td> <td></td> </tr> </table>					SCALE: 1 OF 9	SHEET: 1 OF 9	DIST.:									
SCALE: 1 OF 9	SHEET: 1 OF 9	DIST.:														

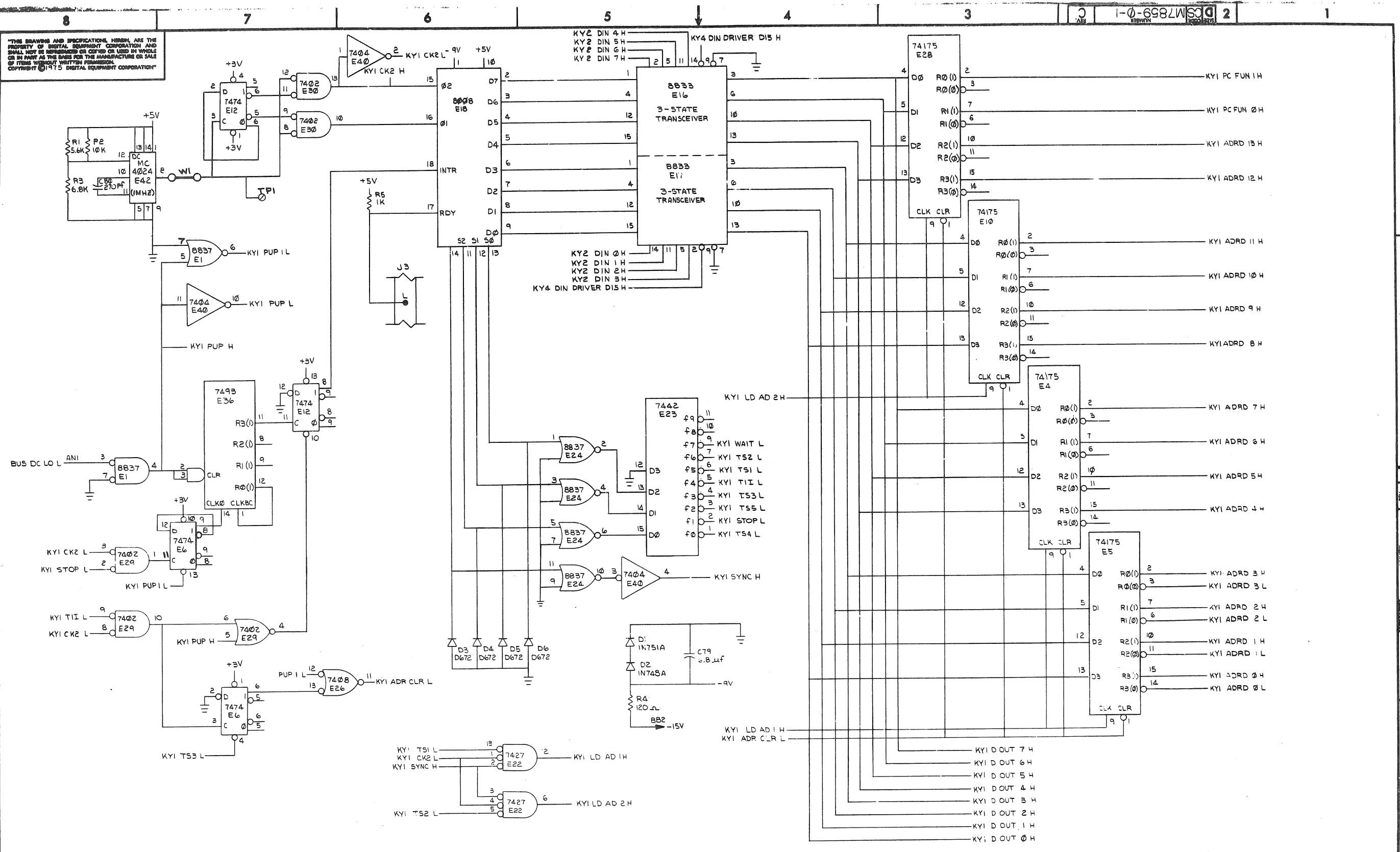
SIZE CODE NUMBER
 DCS M7859-0-1



TITLE: INTERFACE PROGRAMMER'S CONSOLE

SIZE CODE NUMBER REV.
 D 17859-0-1 C

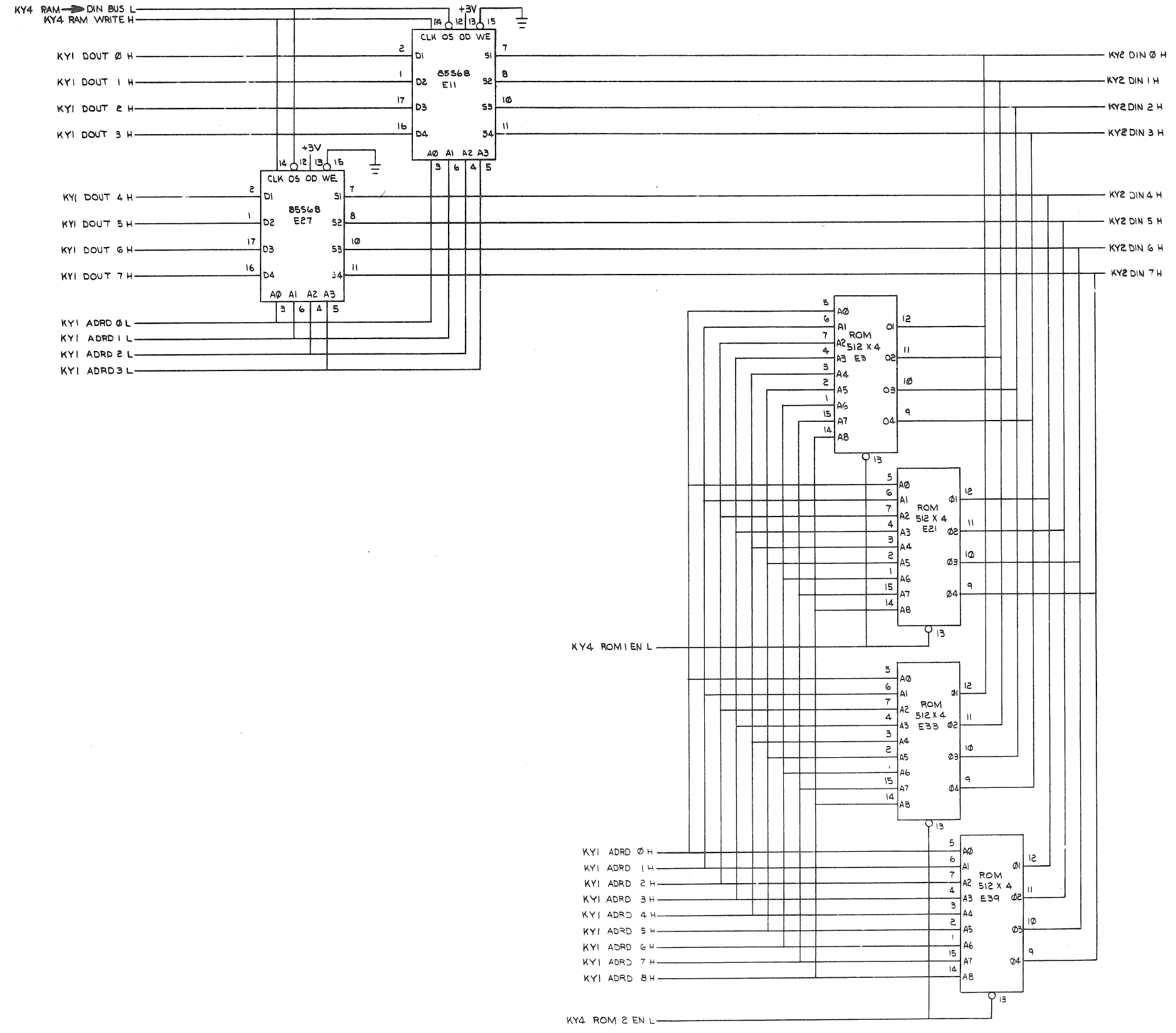
"THIS DRAWING AND SPECIFICATIONS HEREON ARE THE PROPERTY OF DIGITAL EQUIPMENT CORPORATION AND SHALL NOT BE REPRODUCED OR COPIED OR USED IN WHOLE OR IN PART AS THE BASIS FOR THE MANUFACTURE OR SALE OF ITEMS WITHOUT WRITTEN PERMISSION. COPYRIGHT © 1975 DIGITAL EQUIPMENT CORPORATION"



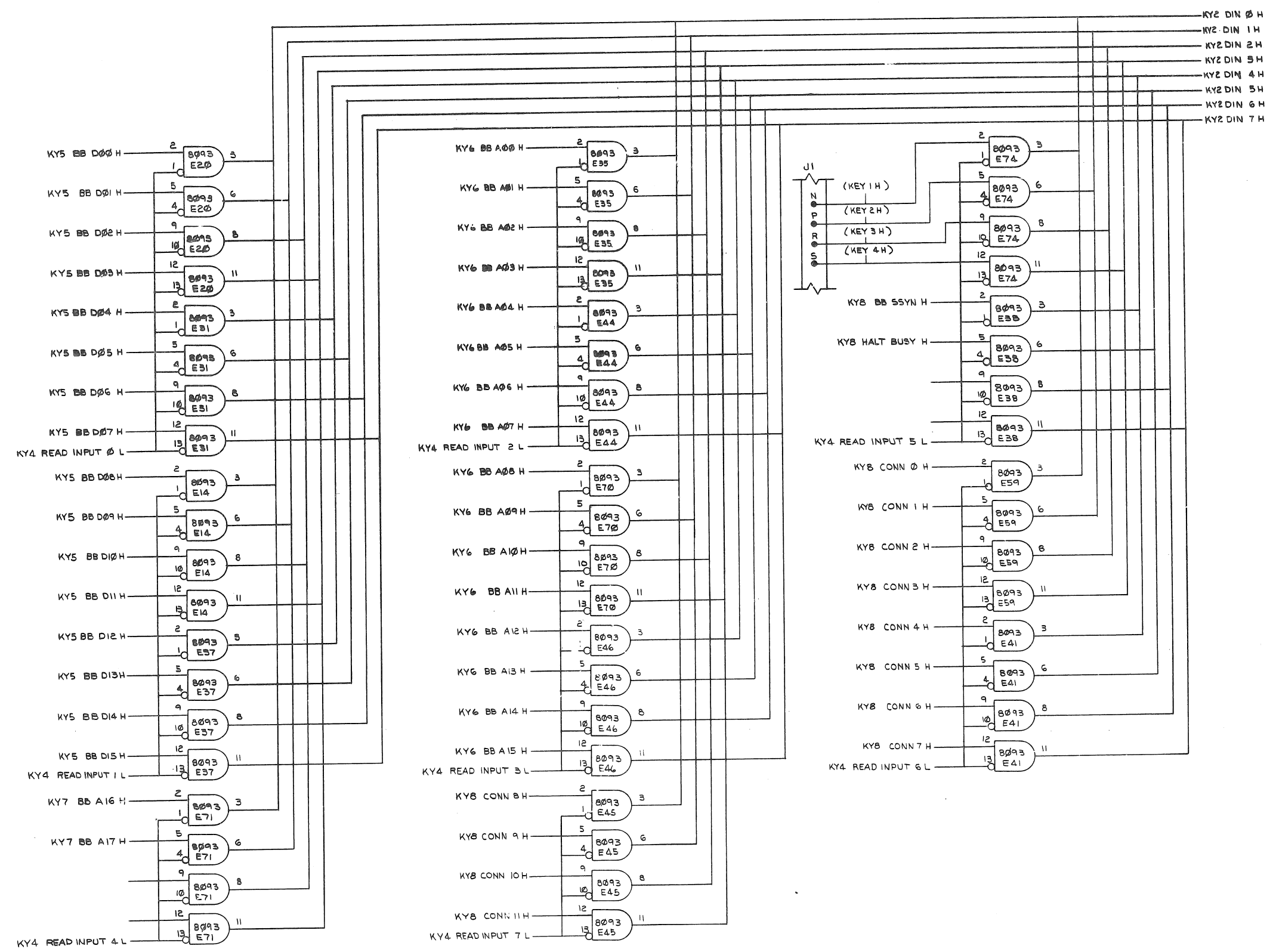
REVISIONS		
CHK	CHANGE NO.	REV.

TITLE	INTERFACE, (KY-1) PROGRAMMER'S CONSOLE	SIZE CODE	NUMBER	REV.
SCALE		SHEET	2 OF 9	C
DIST.				

"THE BRANDS AND SPECIFICATIONS, HEREIN, ARE THE PROPERTY OF HEWLETT PACKARD CORPORATION AND SHALL NOT BE REPRODUCED OR COPIED OR USED IN WHOLE OR IN PART AS THE BASIS FOR THE MANUFACTURE OR SALE OF OTHER EQUIPMENT WITHOUT PERMISSION OF HEWLETT PACKARD CORPORATION." © 1975 DIGITAL EQUIPMENT CORPORATION



REVISIONS		
CHK	CHANGE NO.	REV.



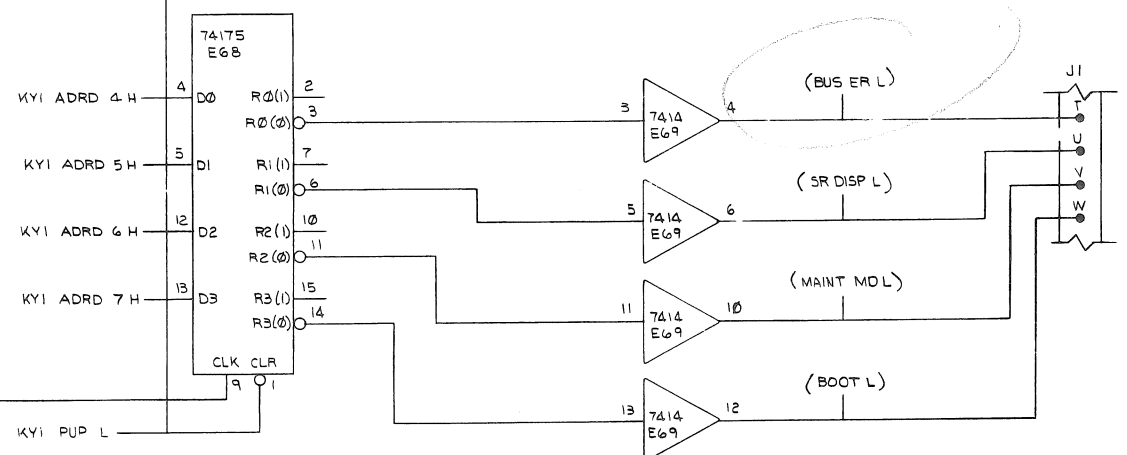
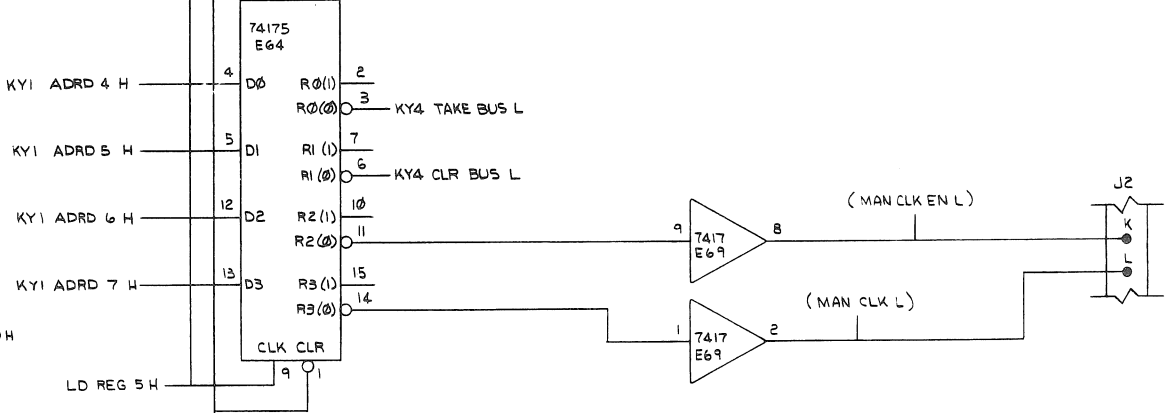
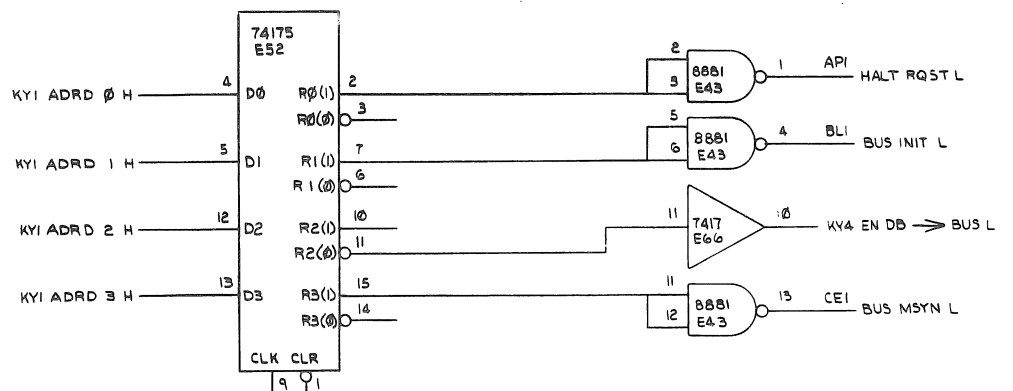
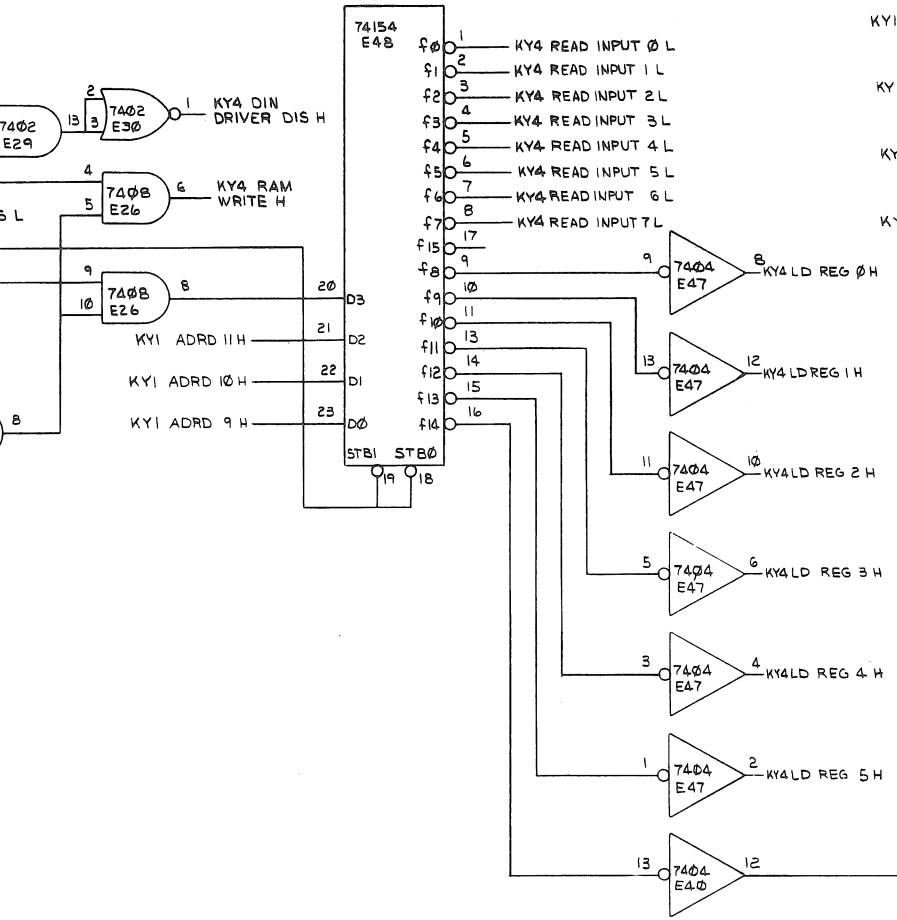
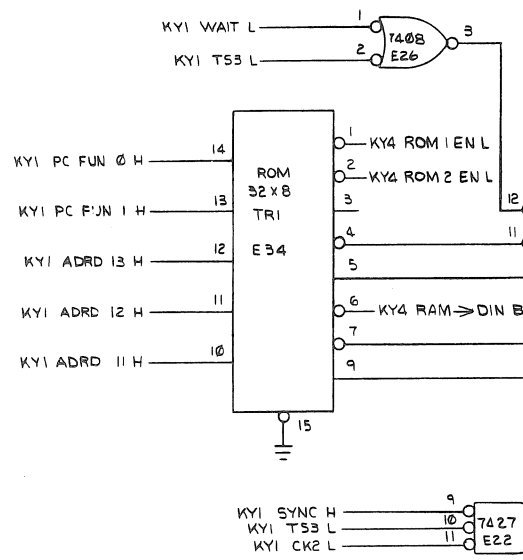
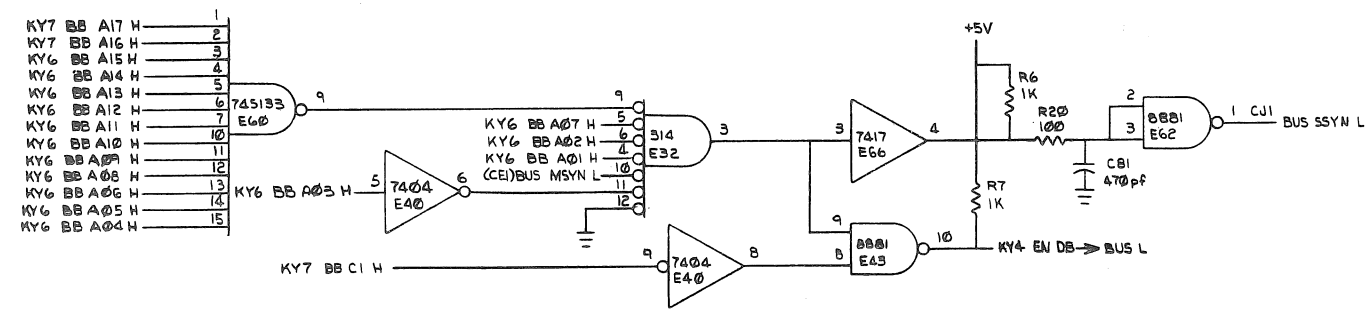
REVISIONS		
CHK	CHANGE NO.	REV.

TITLE	INTERFACE (KY-3) PROGRAMMER'S CONSOLE	SIZE CODE	NUMBER	REV.
SCALE	SHEET 4 OF 9	DIST.	D CS M7859-0-1	C

D CS M7859-0-1

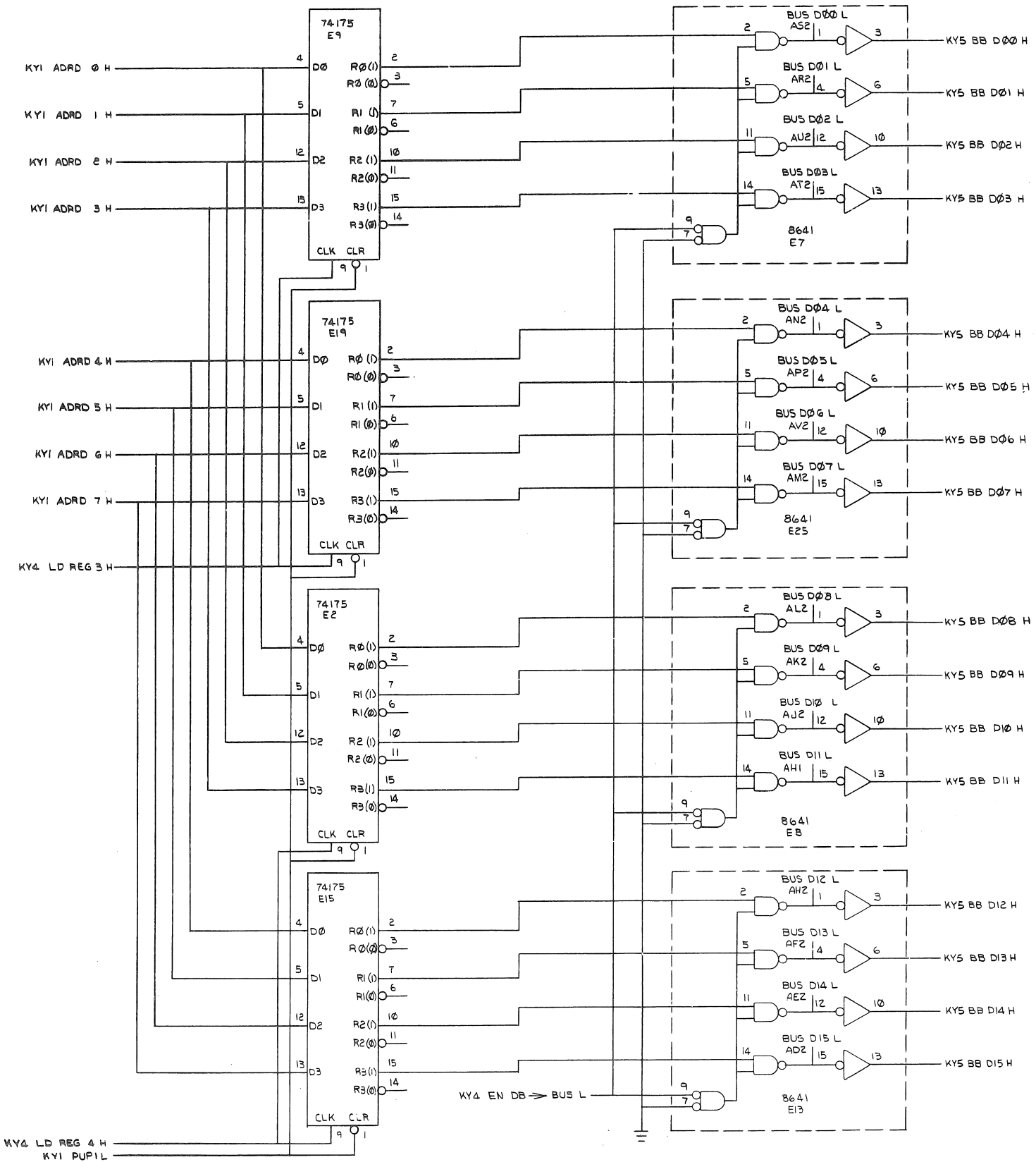
THE DRAWING AND SPECIFICATIONS HEREIN ARE THE PROPERTY OF GENERAL ELECTRIC CORPORATION AND ARE NOT TO BE REPRODUCED OR COPIED OR USED IN WHOLE OR IN PART AS THE BASIS FOR THE MANUFACTURE OR SALE OF ANY EQUIPMENT WITHOUT PERMISSION OF GENERAL ELECTRIC CORPORATION.

- 1 KY7 BB A17 H
- 2 KY7 BB A16 H
- 3 KY6 BB A15 H
- 4 KY6 BB A14 H
- 5 KY6 BB A13 H
- 6 KY6 BB A12 H
- 7 KY6 BB A11 H
- 8 KY6 BB A10 H
- 9 KY6 BB A09 H
- 10 KY6 BB A08 H
- 11 KY6 BB A06 H
- 12 KY6 BB A05 H
- 13 KY6 BB A04 H



REVISIONS		
CHK	CHANGE NO.	REV.

"THIS DRAWING AND SPECIFICATIONS, HEREIN, ARE THE PROPERTY OF DIGITAL EQUIPMENT CORPORATION AND SHALL NOT BE REPRODUCED OR COPIED OR USED IN WHOLE OR IN PART AS THE BASIS FOR THE MANUFACTURE OR SALE OF ITEMS WITHOUT WRITTEN PERMISSION. COPYRIGHT © 1975 DIGITAL EQUIPMENT CORPORATION"



D
C
B
A

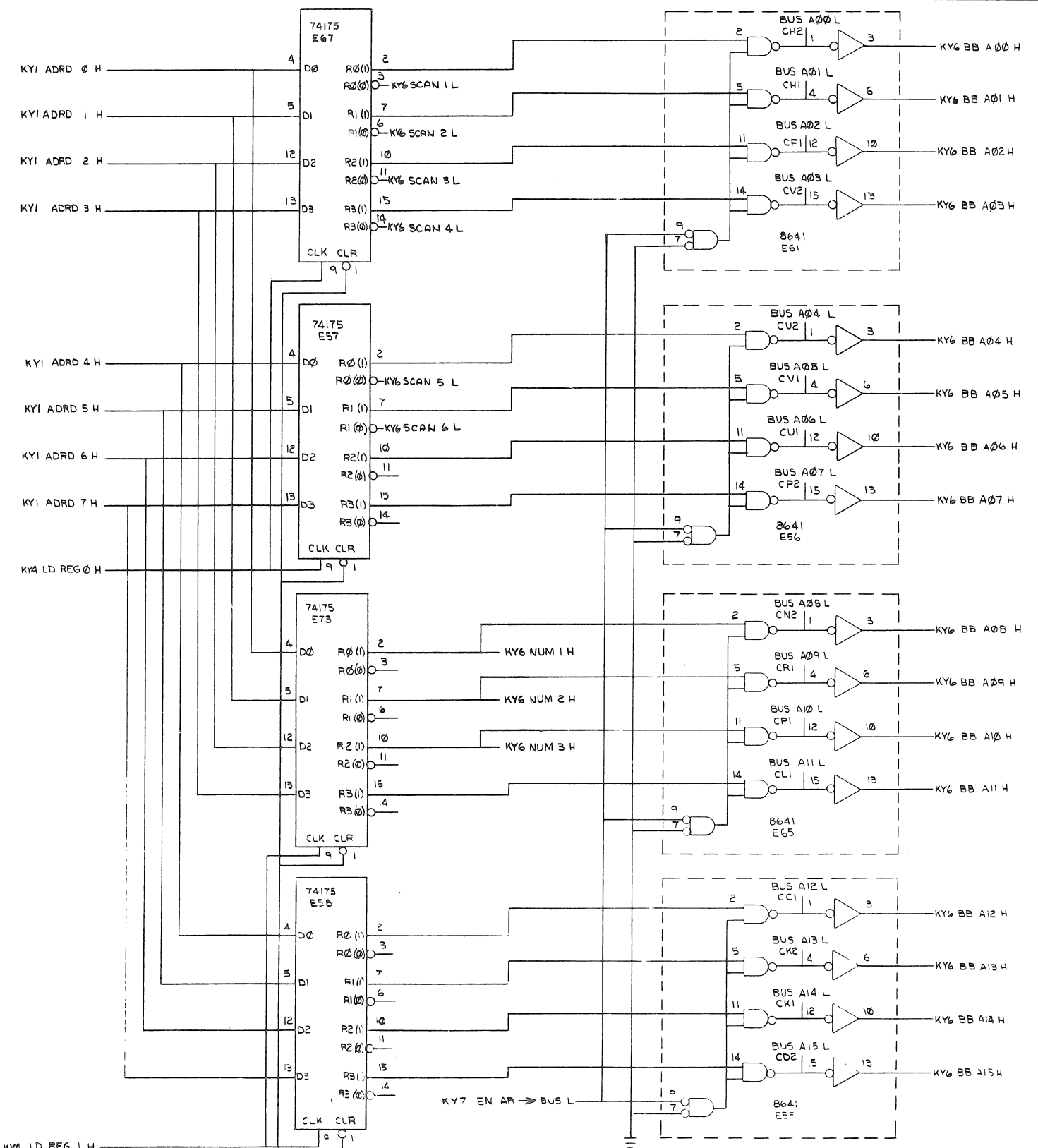
D
C
B
A

REVISIONS		
CHK	CHANGE NO.	REV.

KY4 LD REG 4 H
KY1 PUPIL

REV. C
NUMBER DCS M7859-0-1

"THIS DRAWING AND SPECIFICATIONS HEREIN ARE THE PROPERTY OF DIGITAL EQUIPMENT CORPORATION AND SHALL NOT BE REPRODUCED OR COPIED OR USED IN WHOLE OR IN PART AS THE BASIS FOR THE MANUFACTURE OR SALE OF ITEMS WITHOUT WRITTEN PERMISSION. COPYRIGHT © 1975 DIGITAL EQUIPMENT CORPORATION"

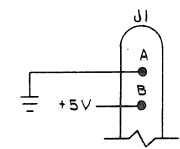
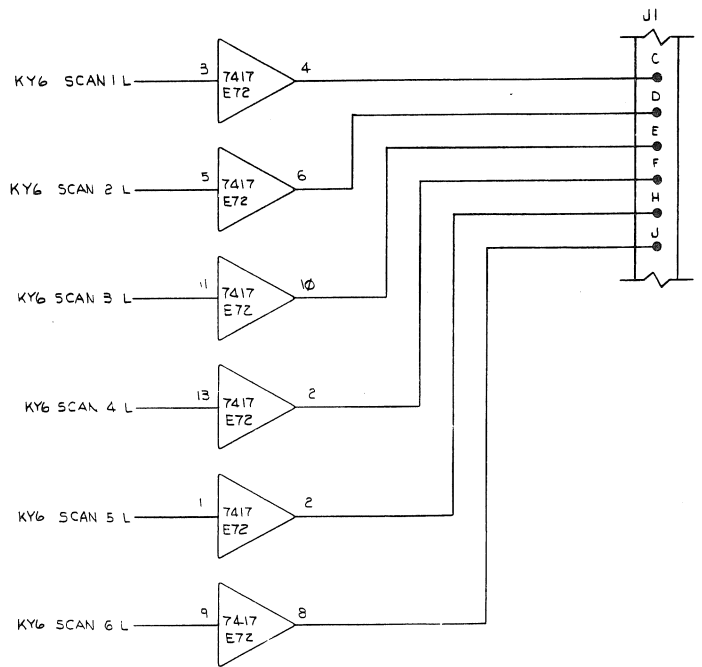
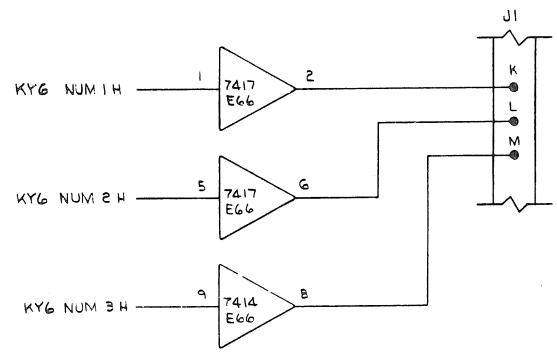
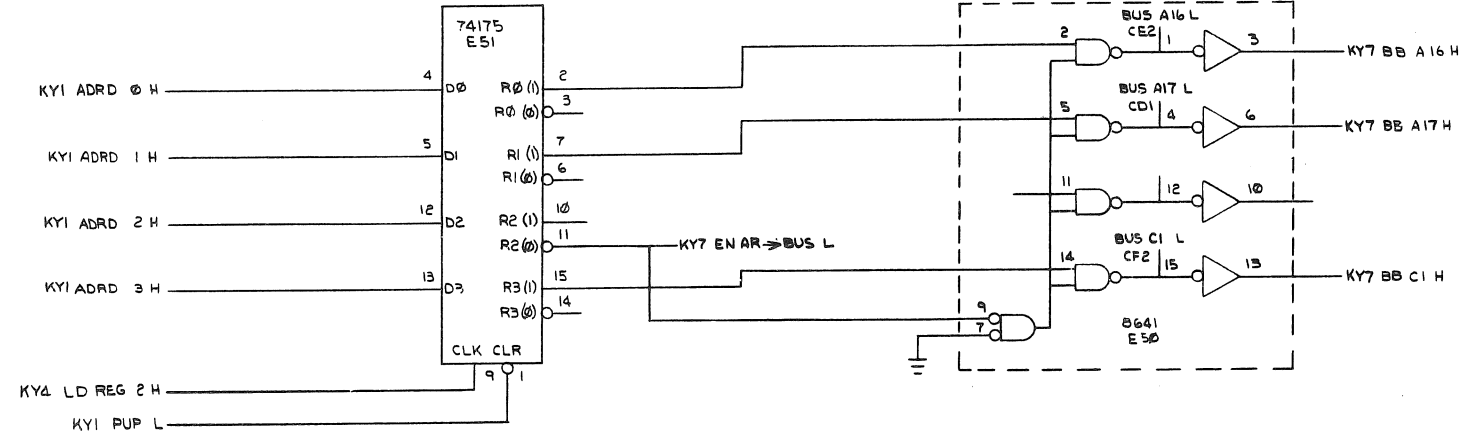


REVISIONS		
CHK	CHANGE NO.	REV.

KY6 LD REG 1 H
KYI PUP L

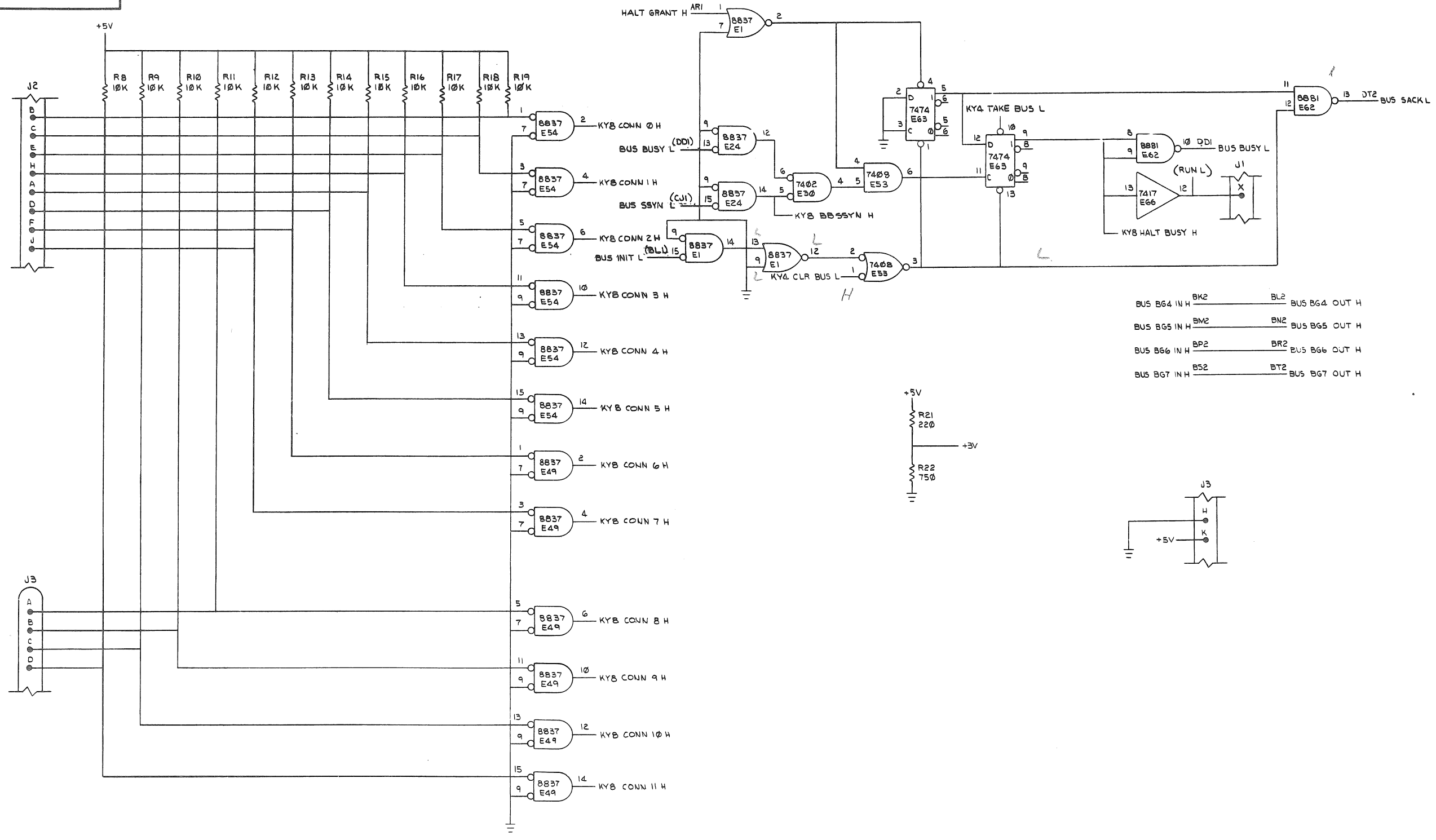
DCSM7859-0-1

"THIS DRAWING AND SPECIFICATIONS HEREIN ARE THE PROPERTY OF DIGITAL EQUIPMENT CORPORATION AND SHALL NOT BE REPRODUCED OR COPIED OR USED IN WHOLE OR IN PART AS THE BASIS FOR THE MANUFACTURE OR SALE OF THIS WITHOUT WRITTEN PERMISSION. COPYRIGHT © 1975, DIGITAL EQUIPMENT CORPORATION"



REVISIONS		
CHK	CHANGE NO.	REV.

"THE DRAWING AND SPECIFICATIONS HEREIN ARE THE PROPERTY OF DIGITAL EQUIPMENT CORPORATION AND SHALL NOT BE REPRODUCED OR COPIED OR USED IN WHOLE OR IN PART AS THE BASIS FOR THE MANUFACTURE OR SALE OF ITEMS WITHOUT WRITTEN PERMISSION. COPYRIGHT © 1975 DIGITAL EQUIPMENT CORPORATION"



- BUS B64 IN H BK2 BL2 BUS B64 OUT H
- BUS B65 IN H BM2 BN2 BUS B65 OUT H
- BUS B66 IN H BP2 BR2 BUS B66 OUT H
- BUS B67 IN H BS2 BT2 BUS B67 OUT H

REVISIONS		
CHK	CHANGE NO.	REV.

REV. C
 NUMBER 1
 DCS M7859-0-1

