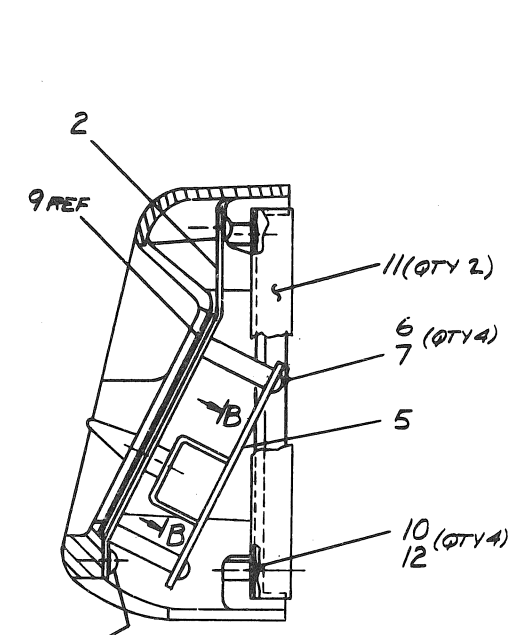


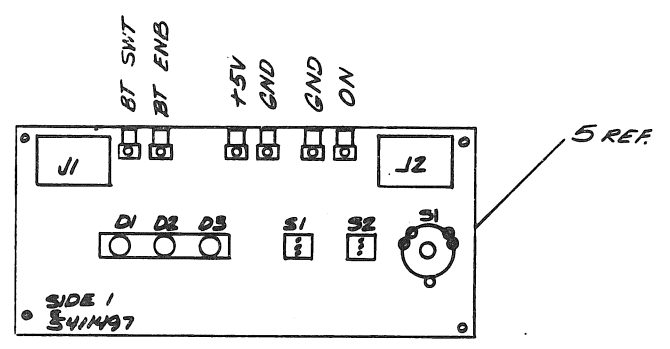




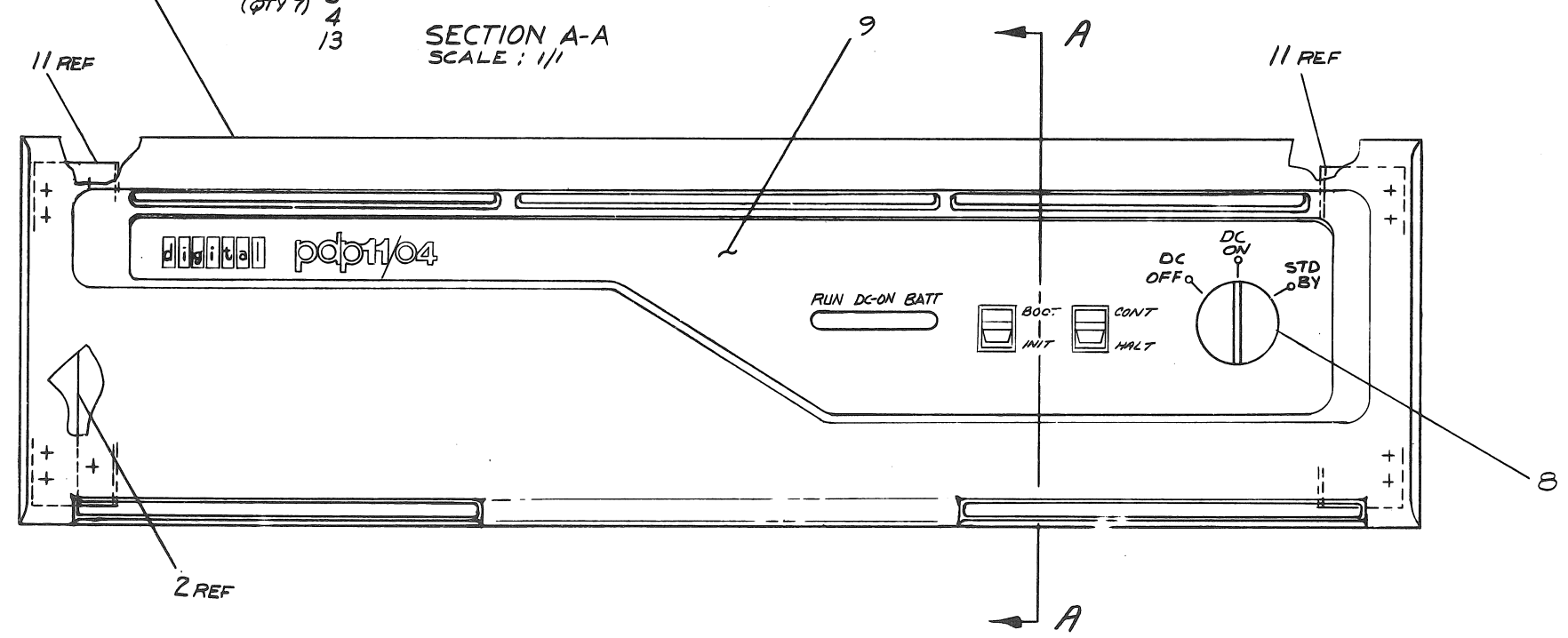
THIS DRAWING AND SPECIFICATIONS HEREIN ARE THE PROPERTY OF DIGITAL EQUIPMENT CORPORATION AND SHALL NOT BE REPRODUCED OR COPIED OR USED IN WHOLE OR IN PART AS THE BASIS FOR THE MANUFACTURE OR SALE OF ITEMS WITHOUT WRITTEN PERMISSION. COPYRIGHT © 1975, DIGITAL EQUIPMENT CORPORATION.



SECTION A-A  
SCALE: 1/1



VIEW B-B  
SCALE: NONE



| ITEM NO. | DESCRIPTION                           | QTY | PART NO.         |
|----------|---------------------------------------|-----|------------------|
| 7        | WASHER, FLAT, .375x.187x.036          | 13  | 9006660          |
| 4        | SPACER, HEX 1/4x.38 LG                | 12  | 9006802          |
| 2        | BRKT, FILTER SUPPORT                  | 11  | CND-74M762-0-0   |
| 4        | SCR, PHIL FL HD #8x.62                | 10  | 9006040-2        |
| 1        | PANEL, CONTROL, CONSOLID-1A-7W35020-0 | 9   |                  |
| 1        | KNDB, ROTARY SWITCH                   | 8   | 1212570          |
| 4        | SCR, PHIL HD PAN #6x.38               | 7   | 9006022-1        |
| 4        | SPACER #6-32x.87                      | 6   | 9006861          |
| 1        | CIRCUIT ETCH BD KYII-LA               | 5   | D15-5411497-0-1  |
| 7        | SCR, PHIL HD PAN #8x.31               | 4   | 9009799-06       |
| 7        | WASHER, SPRING LOCK #8                | 3   | 9006690          |
| 1        | SUPPORT, PANEL                        | 2   | D-ND-7413501-0-0 |
| 1        | BEZEL 11/04                           | 1   | E-ND-7413657-1-0 |

| CLAS OF ACCURACY   | OVER 15 | OVER 12 | OVER 9 | OVER 6 | OVER 3 | OVER 1.5 | OVER .75 |
|--------------------|---------|---------|--------|--------|--------|----------|----------|
| SURFACE QUALITY IN | 1.0     | 1.5     | 2.0    | 3.0    | 4.0    | 5.0      | 6.0      |
| MICROINCHES        | 1.0     | 1.5     | 2.0    | 3.0    | 4.0    | 5.0      | 6.0      |

THIRD ANGLE PROJECTION

REMOVE BURRS AND BREAK SHARP CORNERS

DO NOT SCALE DWG

MATERIAL SEE PARTS LIST

FINISH

QUANTITY & VARIATION

DRG: [Signature] DATE: 11/04

CHK'D: [Signature]

ENG: [Signature]

PROJ. ENG: [Signature]

PROC. [Signature]

FIRST USED ON: 11/04

TITLE: CONSOLE, OPER, ASSEMBLY

SIZE CODE: 5-DD-KYII-LA

SCALE: FULL

SHEET 1 OF 1

DIST.:

REV. A

| REV. | CHG | BY              | DATE  |
|------|-----|-----------------|-------|
| 1    |     | B. COURTEMANCHE | 11/04 |





