

DIGITAL EQUIPMENT CORPORATION MAYNARD, MASSACHUSETTS PARTS LIST			QUANTITY / VARIATION																		
MADE BY D. Healy			CHECKED D. Healy			SECTION			DRV11-0												
DATE 1/30/76			DATE 1/30/76			1															
ENG <i>Elizabeth D. Hvesh</i>			PROD <i>D. Healy</i>			ISSUED SECT.															
DATE 2/23/76			DATE 2-23-76			1															
ITEM NO.	DWG NO. / PART NO.	DESCRIPTION																			
	D-CS-M7941-0-1	16 BIT PARALLEL LINE UNIT	1																		
	A-SP-9905622-0-0	BOX, FOLDING, REVERSE TUCK	1																		
TITLE 16 BIT PARALLEL LINE UNIT (DRV11)			ASSY NO. NONE			SIZE CODE A PL		NUMBER DRV11-0-0					REV. B	ECO NO. DRV11-00002							
			SHEET 1 OF 1			DIST.															

THIS DRAWING AND SPECIFICATIONS, HEREIN, ARE THE PROPERTY OF DIGITAL EQUIPMENT CORPORATION AND SHALL NOT BE REPRODUCED OR COPIED OR USED IN WHOLE OR IN PART AS THE BASIS FOR THE MANUFACTURE OR SALE OF ITEMS WITHOUT WRITTEN PERMISSION. COPYRIGHT © 1975, DIGITAL EQUIPMENT CORPORATION

NOTES:
 1. THE JUMPERS ARE FACTORY SET FOR:
 ADDRESS = 16777X (ONLY W1 INSTALLED).
 VECTOR = 300 (W15, 14 & 13 INSTALLED).

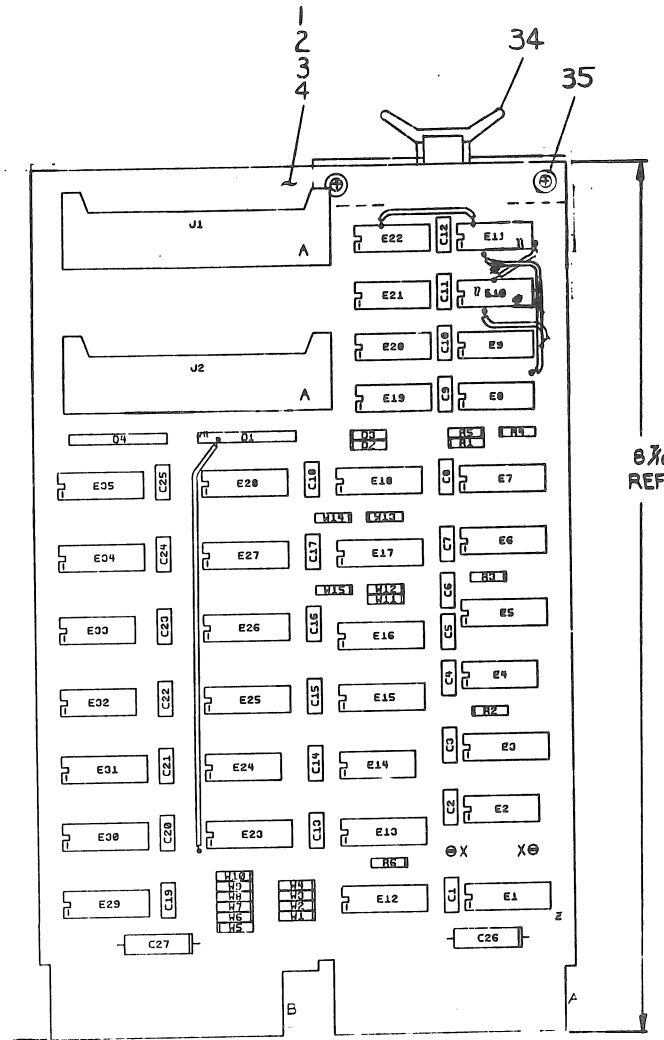
THE JUMPERS ARE ASSIGNED AS FOLLOWS:
 A = ADDRESS / V = VECTOR

A3 - W10	V3 - W15
A4 - W9	V4 - W14
A5 - W8	V5 - W13
A6 - W7	V6 - W12
A7 - W6	V7 - W11
A8 - W5	
A9 - W4	
A10 - W3	
A11 - W2	
A12 - W1	

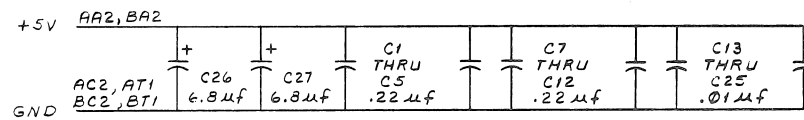
JUMPER IN = LOGIC 0.
 JUMPER OUT = LOGIC 1.

2. PARTS IN THE FOLLOWING ALTERNATE PARTS LIST MAY BE USED IN PLACE OF THE CORRESPONDING PRIME PARTS WHEN NECESSARY.

QTY	REF DESIGNATION	DESCRIPTION	PART NO.	ITEM NO.
13	THRU C25	CAPACITOR, 100pF, +80% -20%	1001F10-1	7A



*THIS PART NUMBER REPLACES
 P/N 23091A1 AND 23145A1



IC PIN LOCATIONS	
IC TYPE	GND + 5V
I.C. DEC MM1 6330	8 16
I.C. DEC 5937	9 16
I.C. DEC 8641	8 16
I.C. DEC 8136	8 16
I.C. DEC 74175	5 16
I.C. DEC 74157	8 16
I.C. DEC 7384	1 8

GND AND 5V ARE USUALLY PIN 7 AND 14 RESPECTIVELY. EXCEPTIONS ARE STATED ABOVE.

FIRST USED ON OPTION MODEL
 LSI II

ETCH BOARD REV | C

CHK	CHANGE NO.	REV

DEC NO. EIA NO. DEC NO. EIA NO.

REF	X Y COORDINATE HOLE LOCATION	K-CO-M7941-D-4	1
REF	ASSY/DRILLING HOLE LAYOUT	D-AH-M7941-D-5	2
REF	MODULE ECO HISTORY	B-AH-M7941-D-6	3
1	ETCHED CIRCUIT BOARD	5011573	4
11	C1 THRU C5, C7 THRU C12	CAPACITOR, .22 uf, 50V	5
1	C6	CAPACITOR, 1000pf, 100V, 5%	6
13	C13 THRU C25	CAPACITOR, .01uf, 50V, +80% -20%	7
2	C26, C27	CAPACITOR, 6.8uf, 35V, 10%	8
2	D2, D3	DIODE, 6884	9
2	D1, D4	WELDED DIODE STICK	10
2	J1, J2	CONNECTOR, 40 PIN, HEADER	11
1	R4	RESISTOR, 330 OHM	12
1	R5	RESISTOR, 680 OHM	13
2	E16, E13	RESISTOR, DIP PACK, 330/680 OHM	14
1	R2	RESISTOR, 100 OHM	15
1	R3	RESISTOR, 47 OHM	16
1	R1	RESISTOR, 390 OHM	17
1	E22	I.C. DEC 7474	18
2	E4, E21	I.C. DEC 7402	19
1	E11	I.C. DEC 74H11	20
1	E20	I.C. DEC 7404	21
8	E2, E0, E14, E24, E32, E33	I.C. DEC 8001	22
1	E10	I.C. DEC 7408	23
1	E10	I.C. DEC 74S74	24
4	E8, E17, E18, E35	I.C. DEC 74157	25
2	E1, E5	I.C. DEC 8037	26
2	E12, E23	I.C. DEC 8136	27
6	E3, E7, E27, E28, E29, E31	I.C. DEC 74175	28
1	E9	I.C. DEC 7384	29
1	E15	I.C. DEC MM1 8330	30
4	E25, E26, E30, E34	I.C. DEC 8041	31
4	W1, W2, W14, W15	JUMPERS	32
2	SL1, SL2	SPLIT LUGS	33
1		HANDLE	34
2		EYELETS	35
1	R6	RESISTOR, 1K OHM	36
6		WIRE #30 AWG BUSS (RETROFIT)	37

QTY	REF DESIGNATION	DESCRIPTION	PART NO.	ITEM NO.

DEC NO.	EIA NO.	DEC NO.	EIA NO.

SEMICONDUCTOR CONVERSION CHART

DRN.	DATE

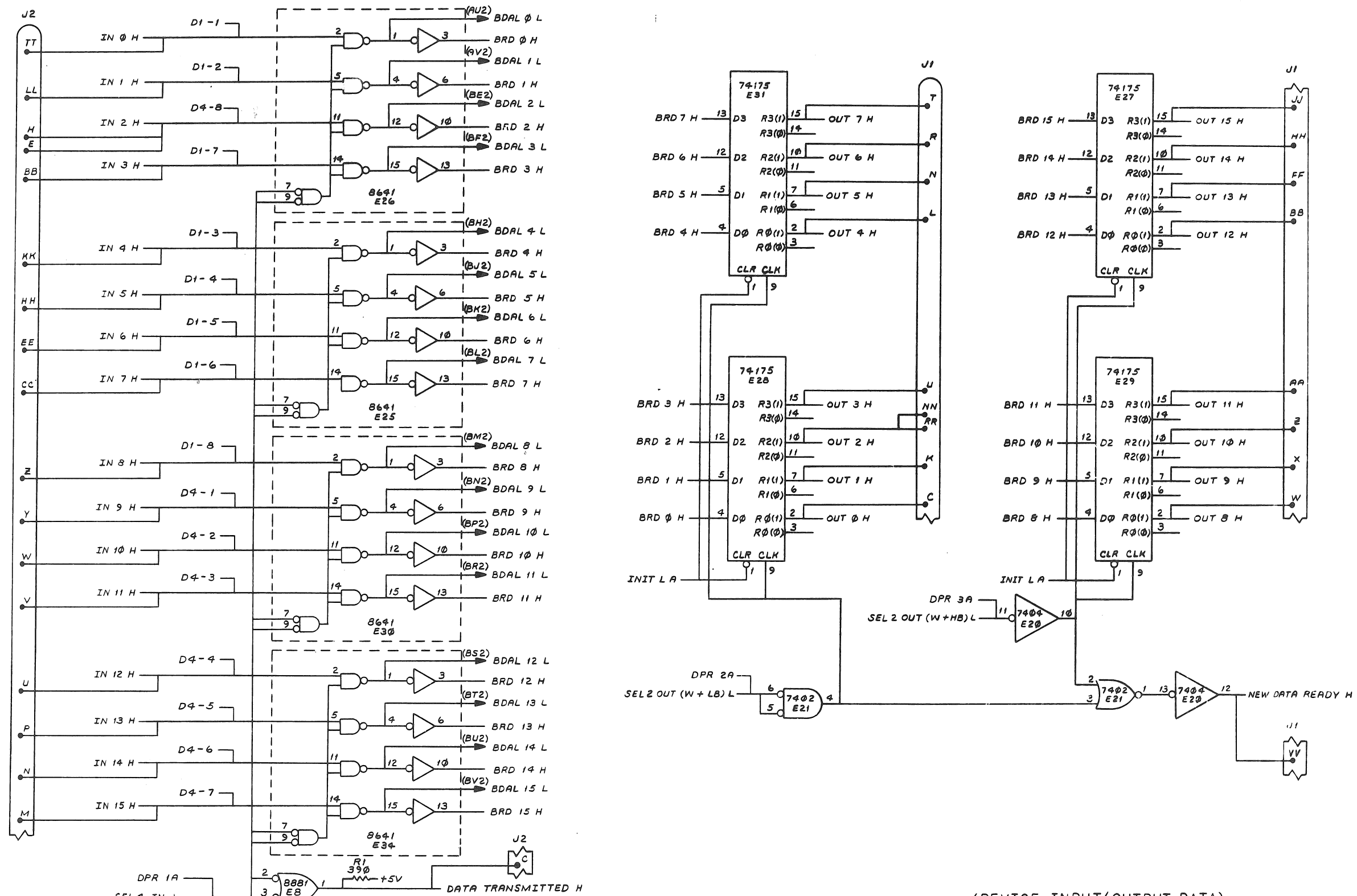
digital EQUIPMENT CORPORATION

TITLE: PARALLEL LINE UNIT

SIZE CODE: DCS M7941-D-1 REV. F

SCALE: 1 OF 4 SHEET

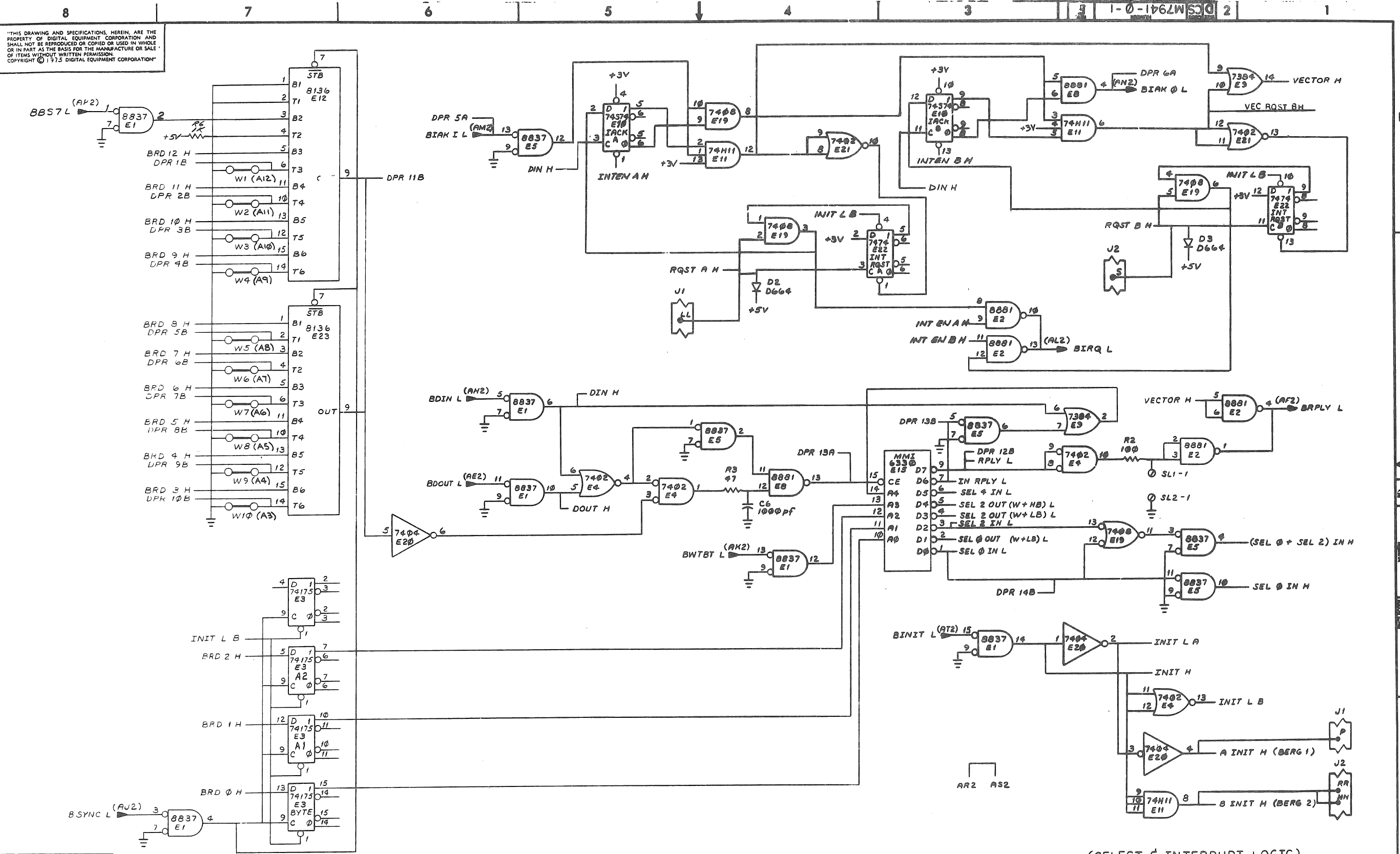
THIS DRAWING AND SPECIFICATIONS HEREIN ARE THE PROPERTY OF DIGITAL EQUIPMENT CORPORATION AND SHALL NOT BE REPRODUCED OR COPIED OR USED IN WHOLE OR IN PART AS THE BASIS FOR THE MANUFACTURE OR SALE OF ITEMS WITHOUT WRITTEN PERMISSION. COPYRIGHT © 1975 DIGITAL EQUIPMENT CORPORATION



(DEVICE INPUT/OUTPUT DATA)

REVISIONS		
CL	CHANGE NO.	REV.

TITLE	PARALLEL LINE UNIT	SIZE CODE	DCS	NUMBER	M7941-0-1	REV.	F
SCALE		SHEET	2 OF 4	DIST.			



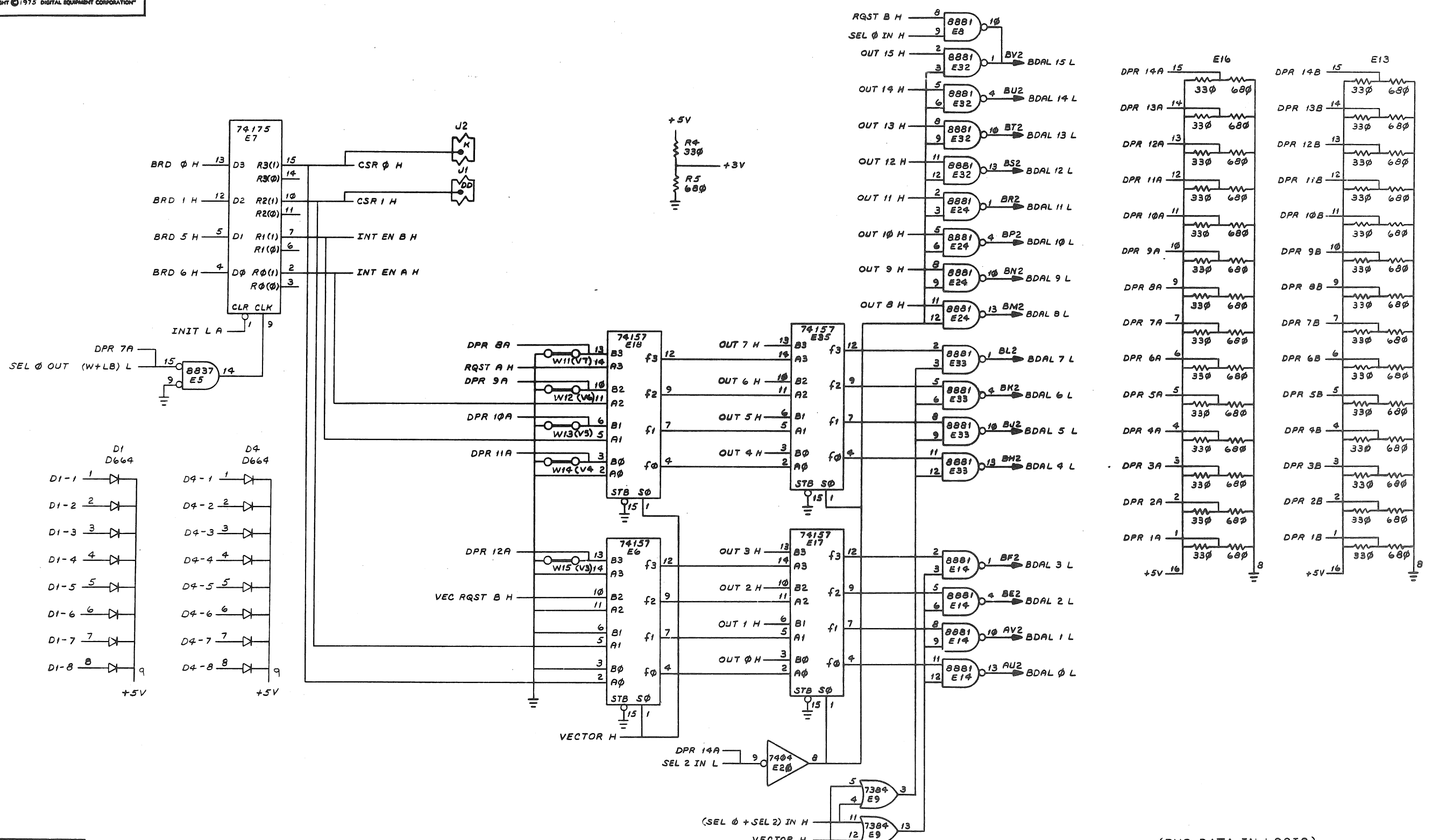
"THIS DRAWING AND SPECIFICATIONS, HEREIN, ARE THE PROPERTY OF DIGITAL EQUIPMENT CORPORATION AND SHALL NOT BE REPRODUCED OR COPIED OR USED IN WHOLE OR IN PART AS THE BASIS FOR THE MANUFACTURE OR SALE OF ITEMS WITHOUT WRITTEN PERMISSION. COPYRIGHT © 1975 DIGITAL EQUIPMENT CORPORATION"

REVISIONS		
CHK	CHANGE NO.	REV.

"THIS DRAWING AND SPECIFICATIONS HEREIN ARE THE PROPERTY OF DIGITAL EQUIPMENT CORPORATION AND SHALL NOT BE REPRODUCED OR COPIED OR USED IN WHOLE OR IN PART AS THE BASIS FOR THE MANUFACTURE OR SALE OF ITEMS WITHOUT WRITTEN PERMISSION. COPYRIGHT © 1975 DIGITAL EQUIPMENT CORPORATION"

D
C
B
A

D
C
B
A



REVISIONS		
CHG	CHANGE NO.	REV.

(BUS DATA IN LOGIC)

TITLE	PARALLEL LINE UNIT	SIZE CODE	DCS M7941-0-1	NUMBER		REV.	F
SCALE		SHEET	4 OF 4	DIST.			

DIGITAL EQUIPMENT CORPORATION
MAYNARD, MASSACHUSETTS
PARTS LIST

MADE BY	Liz Hevesh	CHECKED	D. Healy	SECTION
DATE	1/19/76	DATE	1/30/76	1
ENG	<i>Elyse Lilla H. Hirsch</i>	PROD	<i>D. Healy</i>	ISSUED SECT.
DATE	2/23/76	DATE	2/23/76	1

QUANTITY / VARIATION

ITEM NO.	DWG NO. / PART NO.	DESCRIPTION	DRV11-Ø															
	MPØØØ54	CUSTOMER PRINT SET DRV11	*1															
*	MAINDEC-11-DVKAF-A-PE	DRV11 TEST	1															
	9905622	SHIPPING CONTAINER DOUBLE HEIGHT	1															
		* Note: These items are shipped with first ship to customer.																

TITLE	ASSY NO.	SIZE	CODE	NUMBER	REV	ECO NO.
SHIPPING LIST	NONE	A	PL	DRV11-Ø-2		
SHEET	1 OF 1	DIST.				