

"THE MATERIAL HEREIN IS FOR INFORMATION PURPOSES ONLY AND IS SUBJECT TO CHANGE WITHOUT NOTICE. DIGITAL EQUIPMENT CORPORATION ASSUMES NO RESPONSIBILITY FOR ANY ERRORS WHICH MAY APPEAR HEREIN."

# FIELD MAINTENANCE PRINT SET

"THIS DRAWING AND SPECIFICATIONS, HEREIN, ARE THE PROPERTY OF DIGITAL EQUIPMENT CORPORATION AND SHALL NOT BE REPRODUCED OR COPIED OR USED IN WHOLE OR IN PART AS THE BASIS FOR THE MANUFACTURE OR SALE OF ITEMS WITHOUT WRITTEN PERMISSION. COPYRIGHT © 1976 DIGITAL EQUIPMENT CORPORATION."

## TABLE OF CONTENTS

FIELD MAINTENANCE PRINT SET BCV1A  
 LS111 JUMPER CABLE ASSY  
 LS111 REF BOOT CABLE CONN.  
 MIRROR IMAGE CABLE CONN.  
 CABLE, JUMPER  
 BCV1A SHIPPING LIST

B-TC-BCV1A-0-1  
 A-PL-BCV1A-0-0  
 D-CS-M9400-0-1  
 D-CS-M9401-0-1  
 D-UA-BC05L-0-0  
 A-PL-BCV1A-0-2

UNIT VARIATIONS COVERED BY THIS PRINT SET
BCV1A-02
BCV1A-04
BCV1A-06
BCV1A-10

# BCV1A

## Field Maintenance Print Set

### Digital Equipment Corporation

PRINT SET ORDER NO.  
 MP00070

REV. NO.	CHG. NO.	DATE	USED ON OPTION/MODEL	DRN.	DATE	TITLE:	digital			
							SIZE	CODE	NUMBER	
			LS111	D. HEALY	1/20/75	FIELD MAINTENANCE PRINT SET BCV1A	B	TC	BCV1A-0-1	REV.
				D. HEALY	1/20/75					
				PROJ. ENG. <i>J. T. ...</i>	DATE					
				FIELD SERV. <i>Vanish</i>	DATE					

1950  
1951  
1952  
1953  
1954  
1955  
1956  
1957  
1958  
1959  
1960

1950  
1951  
1952  
1953  
1954  
1955  
1956  
1957  
1958  
1959  
1960

1950  
1951  
1952  
1953  
1954  
1955  
1956  
1957  
1958  
1959  
1960

1950  
1951  
1952  
1953  
1954  
1955  
1956  
1957  
1958  
1959  
1960

1950  
1951  
1952  
1953  
1954  
1955  
1956  
1957  
1958  
1959  
1960

1950  
1951  
1952  
1953  
1954  
1955  
1956  
1957  
1958  
1959  
1960

1950  
1951  
1952  
1953  
1954  
1955  
1956  
1957  
1958  
1959  
1960

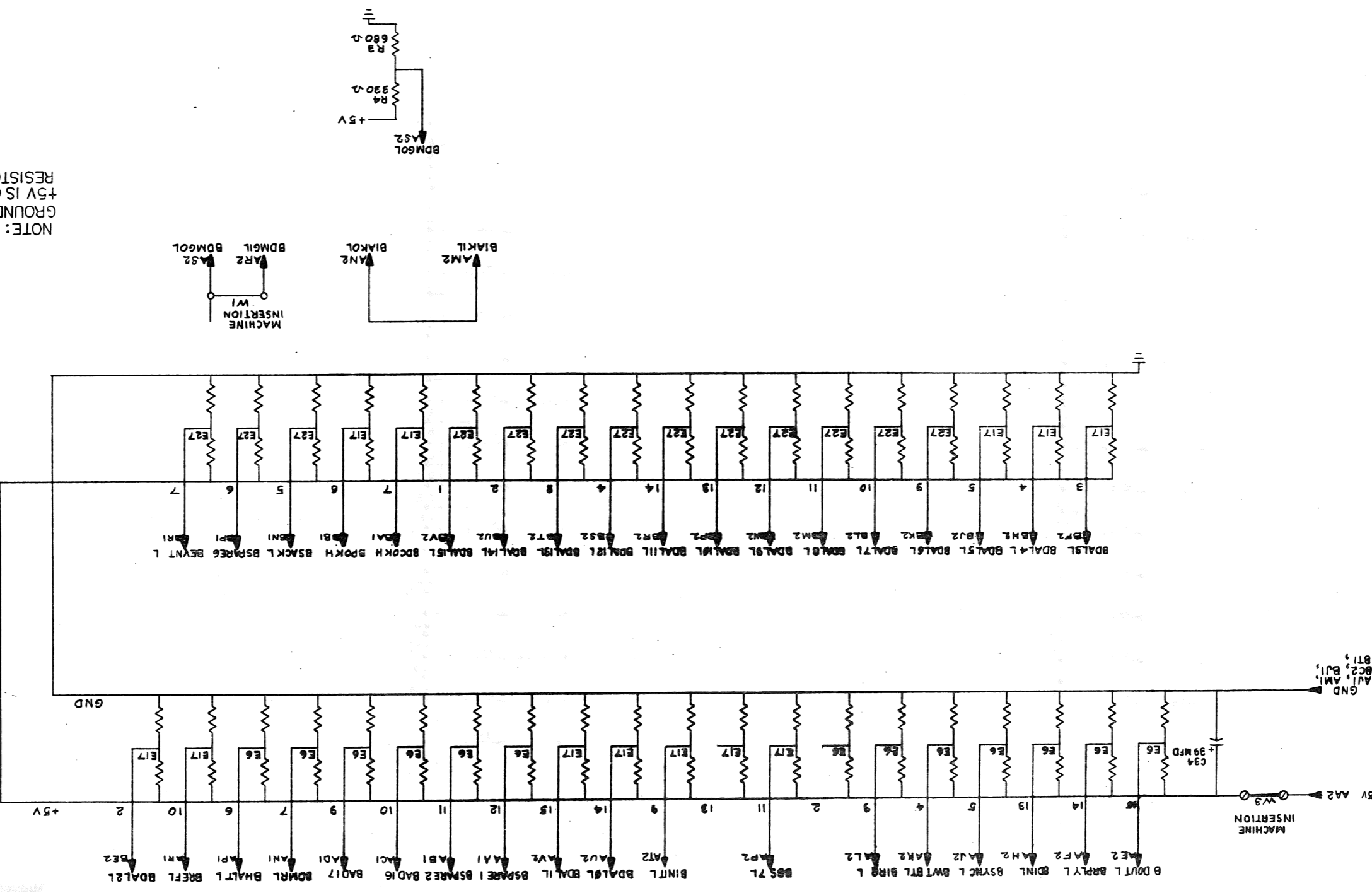
1950  
1951  
1952  
1953  
1954  
1955  
1956  
1957  
1958  
1959  
1960



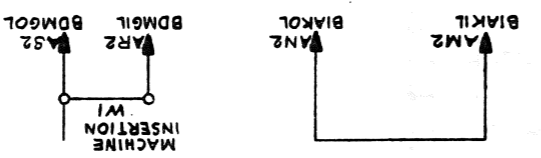


REV. NO.	8
CHK. CHANGE NO.	
REV.	

TITLE LSI REF BOOT CABLE CONN  
 DCS M9400-0-1  
 SHEET 2 OF 5  
 SCALE 1:1  
 REV. F



NOTE:  
 GROUND IS ON PIN 8  
 +5V IS ON PIN 16 OF EACH  
 RESISTOR PACK.

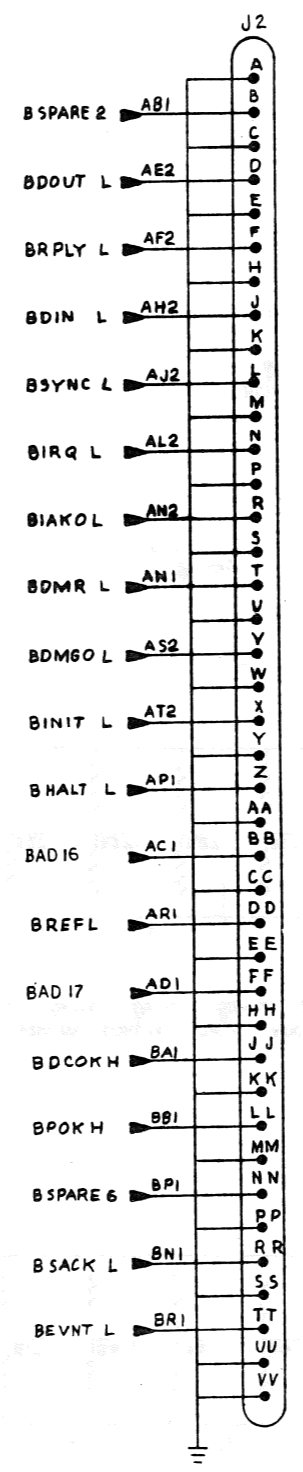
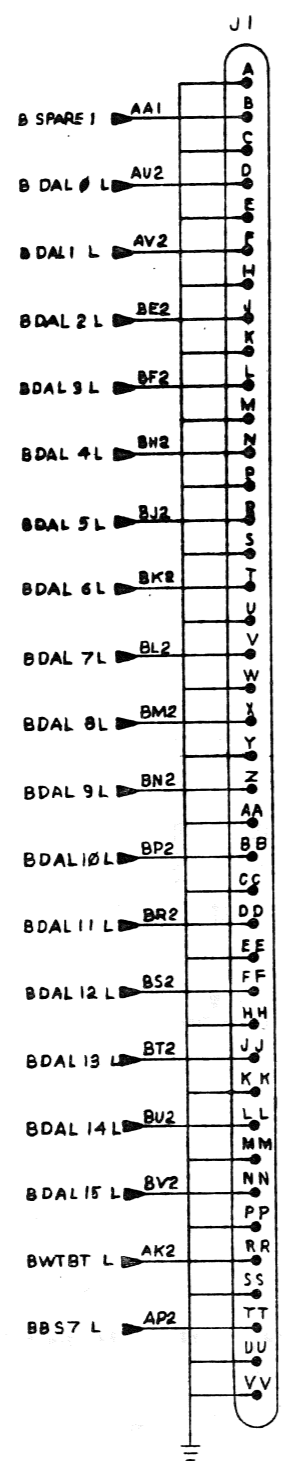


GND  
 AC2, AU1, AM1,  
 AT1, BC2, BU1,  
 BM1, BT1,

THIS DRAWING AND SPECIFICATIONS, HEREIN, ARE THE  
 PROPERTY OF DIGITAL CORPORATION AND  
 SHALL NOT BE REPRODUCED OR COPIED OR USED IN WHOLE  
 OR IN PART AS THE BASIS FOR THE MANUFACTURE OF ANY  
 OR THAT WITHOUT WRITTEN PERMISSION.  
 COPYRIGHT © 1975 DIGITAL EQUIPMENT CORPORATION

DCS M9400-0-1  
 REV. F

DO NOT USE THIS DRAWING FOR THE MANUFACTURE OR SALE OF EQUIPMENT WITHOUT WRITING PERMISSION FROM DIGITAL EQUIPMENT CORPORATION  
 Copyright © 1975 DIGITAL EQUIPMENT CORPORATION

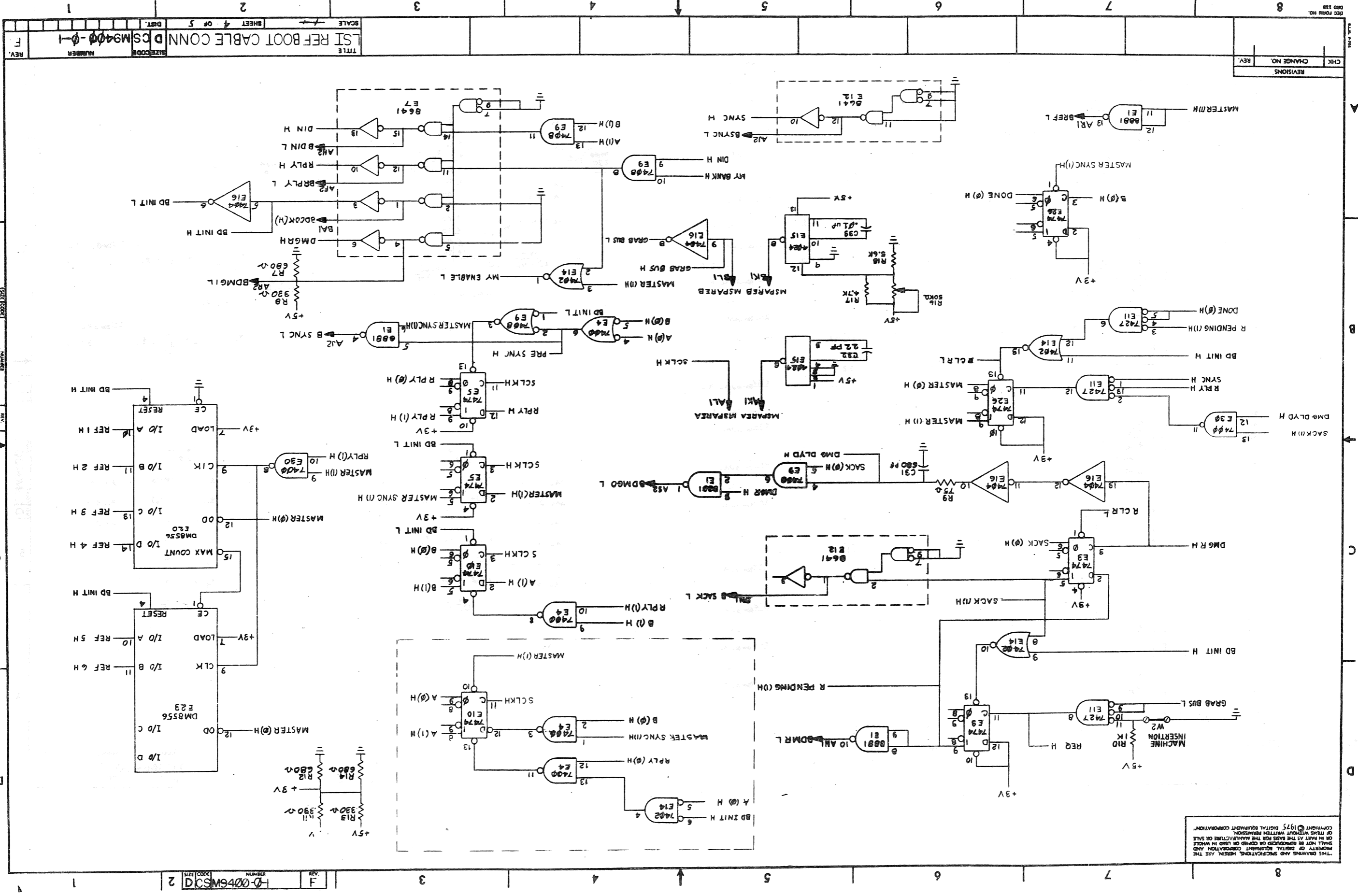


REVISIONS		
CHK	CHANGE NO.	REV.

TITLE	SIZE CODE	NUMBER	REV.
LSI REF BOOTCABLE COI	D	CSM9400-0-1	E
SCALE	SHEET 3 OF 5	DIST.	

DCSM9400-0-1  
 REV. E

THIS DRAWING AND SPECIFICATIONS HEREIN ARE THE PROPERTY OF DIGITAL EQUIPMENT CORPORATION AND SHALL NOT BE REPRODUCED OR COPIED OR USED IN WHOLE OR IN PART AS THE BASIS FOR THE MANUFACTURE OR SALE OF OTHER EQUIPMENT WITHOUT WRITTEN PERMISSION. COPYRIGHT © 1975 DIGITAL EQUIPMENT CORPORATION.

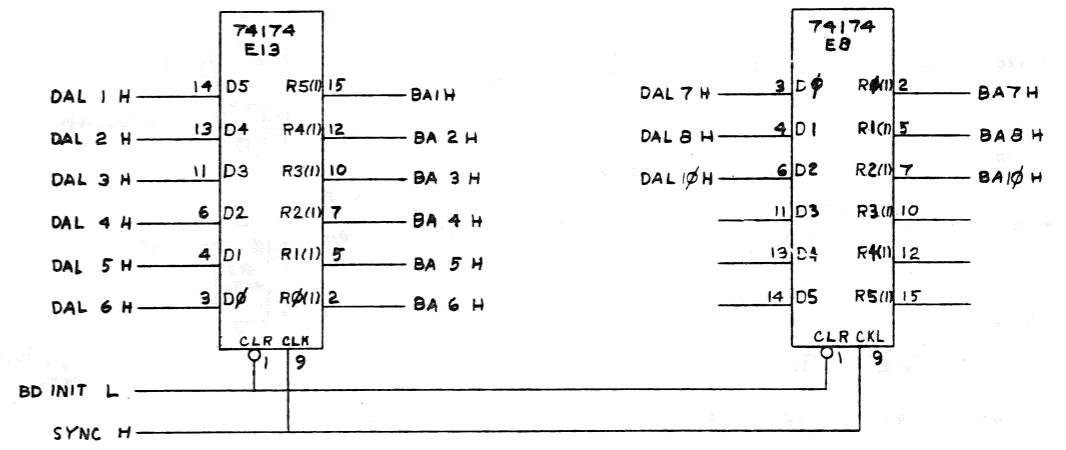
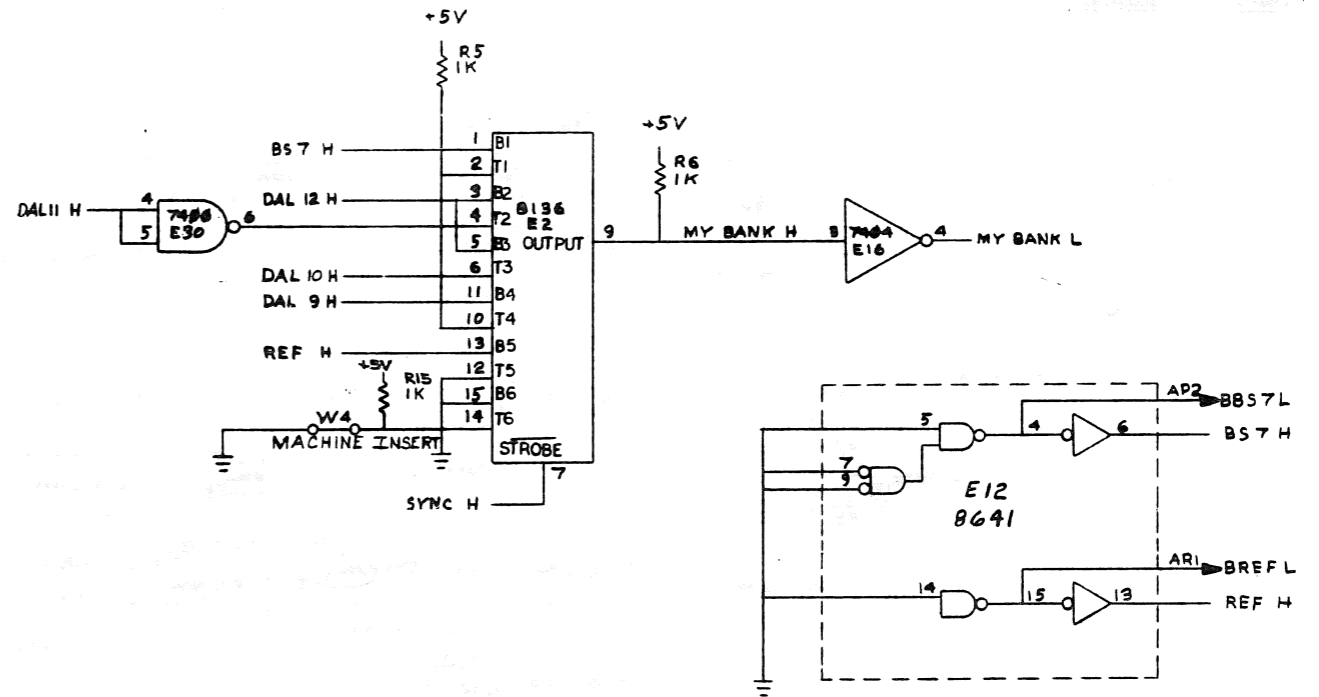
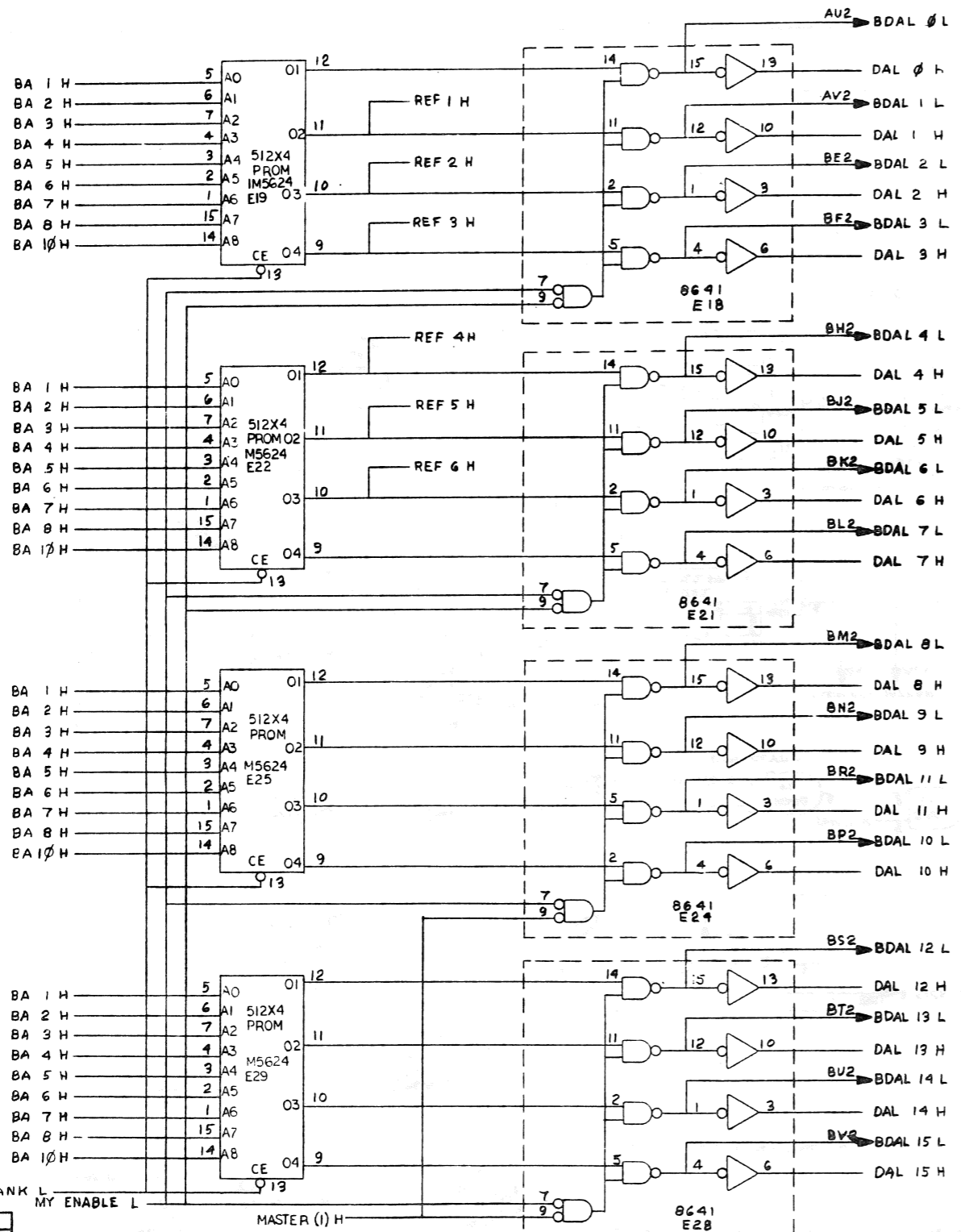


REV.	NUMBER	DATE	SCALE	SHEET 4 OF 5	DRG. NO.	1
F	1					

REV.	CHANGE NO.	REV.	8

REV.	NUMBER	DATE	SCALE	SHEET 4 OF 5	DRG. NO.	1
F	1					

SPECIFICATIONS HEREIN ARE THE PROPERTY OF DIGITAL EQUIPMENT CORPORATION AND ARE NOT TO BE REPRODUCED OR COPIED IN WHOLE OR IN PART WITHOUT THE WRITTEN PERMISSION OF DIGITAL EQUIPMENT CORPORATION.



REVISIONS		
CHK	CHANGE NO.	REV.



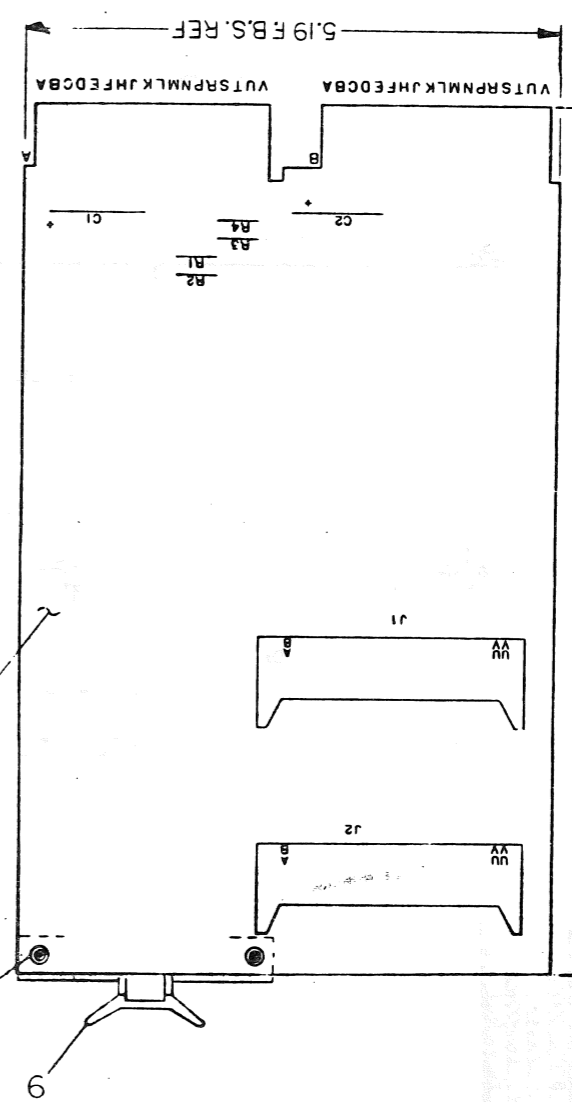
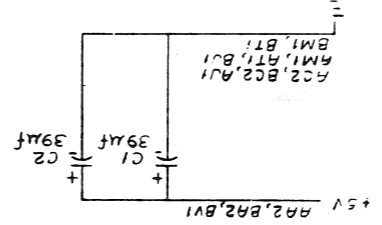
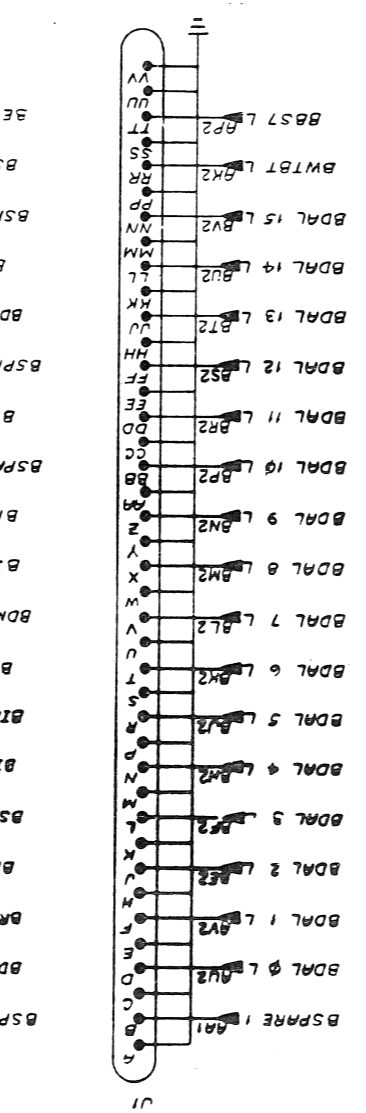
REV.	DATE	BY	DESCRIPTION
1	8-10-75	J. Blumenthal	INITIAL
2	8-10-75	J. Blumenthal	CHANGED TO 39µF
3	8-10-75	J. Blumenthal	CHANGED TO 39µF
4	8-10-75	J. Blumenthal	CHANGED TO 39µF
5	8-10-75	J. Blumenthal	CHANGED TO 39µF
6	8-10-75	J. Blumenthal	CHANGED TO 39µF
7	8-10-75	J. Blumenthal	CHANGED TO 39µF
8	8-10-75	J. Blumenthal	CHANGED TO 39µF

CHK	CHANGE NO.	REV.	REVISIONS

SEMICONDUCTOR CONVERSION CHART	
DEC NO.	EA NO.

PARTS LIST				
ITEM NO.	PART NO.	DESCRIPTION	REF. DESIGNATION	QTY

ITEM NO.	PART NO.	DESCRIPTION	REF. DESIGNATION	QTY
1	M-CO-M9421-0-1	X-Y COORD. HOLE LOCATION		
2	D-RH-M9401-0-5	ASSY/DRILLING HOLE LAYOUT		
3	B-MH-M9401-0-6	MODULE ECO HISTORY		
4	5011874	ETCHED CIRCUIT BOARD		
5	1000076	CAPACITOR, 39µF, 10% 1076	C1, C2	2
6	120941-02	CONNECTOR, 90 PIN, BERG	U1, U2	2
7	9008337-06	HANDLE, FLIP CHIP, MAGENTA		3
8	9006732	EYELET		18



NOTES: 1. R1 THRU R4 NOT USED.  
2. C1 & C2 WILL BE HAND INSERTED.

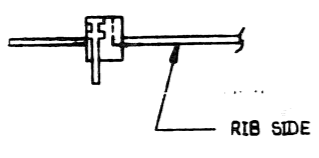
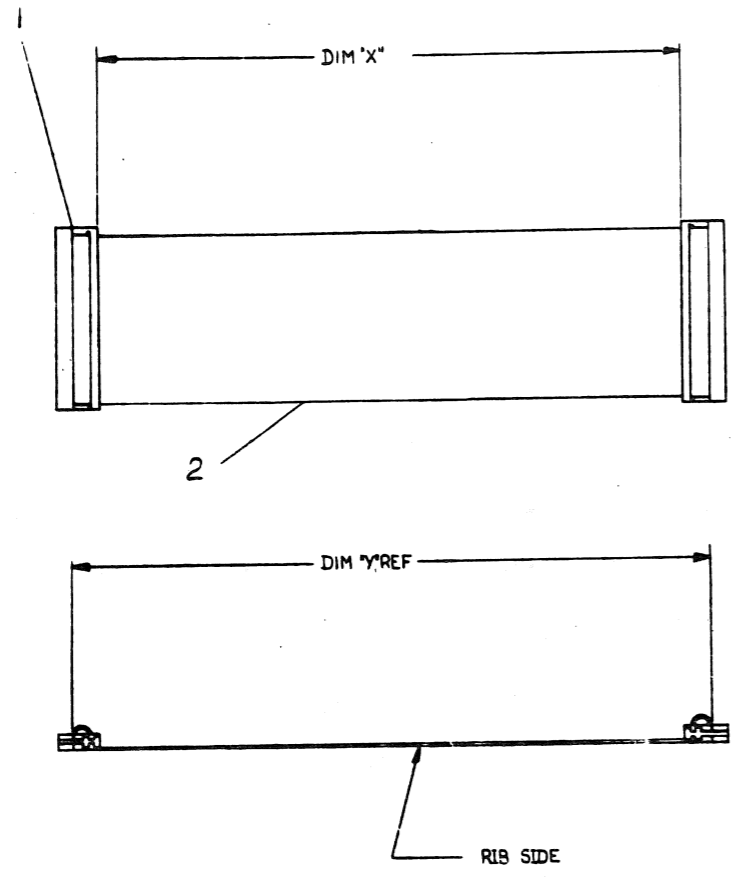
IC PIN LOCATIONS	
IC TYPE	QND

QND AND SW ARE USUALLY PIN 7 AND 14  
RESPECTIVELY EXCEPT AS STATED ABOVE

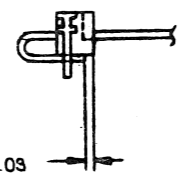
PI-CC	P2-L
PI-CC	P2-S
PI-EE	P2-R
PI-EE	P2-Q
PI-EE	P2-H
PI-EE	P2-L
PI-LL	P2-K
PI-NN	P2-J
PI-NN	P2-H
PI-PP	P2-F
PI-RR	P2-E
PI-SS	P2-D
PI-TT	P2-C
PI-UU	P2-B
PI-VV	P2-A

PI-CC	P2-L
PI-CC	P2-S
PI-EE	P2-R
PI-EE	P2-Q
PI-EE	P2-H
PI-EE	P2-L
PI-LL	P2-K
PI-NN	P2-J
PI-NN	P2-H
PI-PP	P2-F
PI-RR	P2-E
PI-SS	P2-D
PI-TT	P2-C
PI-UU	P2-B
PI-VV	P2-A

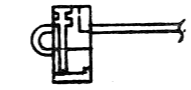
REV.	DATE	BY	DESCRIPTION
1	8-27-74	J. KALAGHER	REVISED TO 1/2"
2	9-18-74	J. KALAGHER	REVISED TO 1/2"
3	1-6-75	J. KALAGHER	REVISED TO 1/2"
4	4-7-75	J. KALAGHER	REVISED TO 1/2"
5	5-16-76	J. KALAGHER	REVISED TO 1/2"
6	6-2-76	J. KALAGHER	REVISED TO 1/2"
7	7-19-76	J. KALAGHER	REVISED TO 1/2"



STEP #1



STEP #2



STEP #3

LEGEND		
NUMBER	DIM X VARIATION	DIM Y (PRECUT) REF
BC05L-0C	3IN ± .5IN	4.2 IN.
BC05L-1C	15 IN ± .5 IN.	16.2 IN.
BC05L-15	15 FT ± .5 IN.	15 FT, 1.2 IN
BC05L-4	4 FT ± .5 IN	4 FT, 1.2 IN
BC05L-6	6 FT ± .5 IN	6 FT, 1.2 IN
BC05L-2	2 FT ± .5 IN	2.4 FT
BC05L-10	10 FT ± .5 IN	10.5 FT

**NOTES**

1. ASSY OF ITEM #1 (CONNECTOR) TO ITEM #2 (CABLE) IS AS FOLLOWS:  
 A CABLE TO BE CUT SQUARE AT BOTH ENDS.  
 STEP 1: INSERT CABLE THRU SLOT IN TOP HALF OF CONNECTOR. NOTE POSITION OF CABLE RELIEF SHOW AS DOTTED LINE. RIBS ON CABLE MUST BE LOCATED DOWN.  
 STEP 2: BEND CABLE DOWN AND UNDER AND SECURE AGAINST ADHESIVE. NOTE DIMENSION SHOWN.  
 STEP 3: POSITION LOWER HALF OF CONNECTOR ON LOCKING RING AND PRESS TWO HALVES TOGETHER. PULL CABLE THRU SLOT, THEN BEND CABLE TO POSITION CONNECTOR AS SHOWN IN FINAL ASSY.

2	CONN. # 3417-3 3M	1211206	2
A/R	CABLE, FLAT, 40 COND.	9107747-01	1
FIRST USED ON OPTIONAL MODEL		QTY.	DESCRIPTION
TU6Ø			PARTS LIST
UNLESS OTHERWISE SPECIFIED DIMENSIONS IN INCHES TOLERANCES		DATE 11-16-76	EQUIPMENT CORPORATION
DECIMALS .01 .03 .05 .1 .15 .2 .3 .4 .5 .6 .7 .8 .9 .1 .2 .3 .4 .5 .6 .7 .8 .9		DATE 11-21-76	
ANGLES 90° 45° 30°		DATE 11-21-76	TITLE CABLE, JUMPER
REMOVE BURRS AND BREAK SHARP CORNERS SURFACE QUALITY		DATE 11-21-76	
MATERIAL		NEXT HIGHER ASSY.	
FINISH		D-UA-TU6-Ø-Ø	DUA BC05L-Ø-Ø

TITLE		ASSY NO.		SIZE CODE		NUMBER		REV		ECO NO.	
BCVIA SHIPPING LIST		NONE		A PL		BCVIA-Ø-2					
SHEET 1 OF 1											
DIST											
DIGITAL EQUIPMENT CORPORATION MAYNARD, MASSACHUSETTS											
PARTS LIST											
MADE BY		D. HEALY		CHECKED D. HEALY		SECTION					
DATE		26 FEB 76		DATE		26 FEB 76					
ENG		<i>[Signature]</i>		PRD		<del><i>[Signature]</i></del>		ISSUED SECT.		1	
DATE		3/11/76		DATE		3-15-76					
ITEM NO.	DWG NO./PART NO.	DESCRIPTION		QUANTITY / VARIATION							
1	MPØØ7Ø	BCVIA PRINT SET		1	BCVIA-Ø2						
				1	BCVIA-Ø4						
				1	BCVIA-Ø6						
				1	BCVIA-1Ø						

NO. 100-10000

DEPARTMENT

OF JUSTICE

UNITED STATES OF AMERICA

VS.

JOHN

EDWARD

SMITH

ET AL.

CHARGE

CONSPIRACY

1918-1919

IN FEDERAL COURT

AT NEW YORK