

**HOLE LOCATIONS FOR MOUNTING IN H950 AND H967 CABINETS**

AVAILABLE SPACE BETWEEN RL02'S	MOUNTING HOLES (FROM DATUM HOLE)	
	LOWER	UPPER
5.25	12	15
10.50	21	24
15.75	30	33
21.00	39	42
26.25	48	51
31.50	57	60

NOTES:

- MACHINES ARE SHIPPED CONFIGURED FOR 110V, AND NOMINAL VOLTAGE RANGE. FOR 220V OPERATION, REMOVE TWO (2) SCREWS FROM "VOLTAGE SELECTOR" COVER, WITHDRAW THE COVER AND RE-INSERT TURNED UPSIDE DOWN. AFTER INSERTION, 220 MUST BE SHOWING THRU THE SMALL WINDOW. REPLACE THE TWO (2) SCREWS, CUT OFF 110V PLUG ON THE POWER CORD, REPLACE WITH 220V PLUG (ITEM #20). FOR COLOR CODE SEE DETAIL 'G', SHEET 4.
- "LOW LINE" AND "NOMINAL LINE" ARE DEFINED ON COVER OF "VOLTAGE RANGE SELECTOR". FOR LOW LINE VOLTAGE OPERATION REMOVE TWO (2) SCREWS FROM "VOLTAGE RANGE SELECTOR" COVER, WITHDRAW THE COVER AND RE-INSERT IT TURNED UPSIDE DOWN. AFTER INSERTION, "LOW" MUST BE SHOWING THRU THE SMALL WINDOW. REPLACE THE TWO (2) SCREWS.
- WHEN AN RL02-AK IS ORDERED IN CONJUNCTION WITH H9500, H9501, H9502, H9503, H9600, H9601, H9602, H9603 INTERLOCK KIT(S) (REF 21) OR CABLE RESTRAINT SYSTEM(S) (REF 22) MUST BE ORDERED AND INSTALLED.
- WHEN AN RL02-AK IS ORDERED IN CONJUNCTION WITH A H9503/H9603, THE TRIM PIECES (H9514-B) MUST BE ORDERED.
- WHEN AN RL02-AK IS ORDERED IN CONJUNCTION WITH A H9501/H9601, THE TRIM PIECES (H9514-A) MUST BE ORDERED.
- TO ATTACH SHIPPING BRACKET (ITEM 7), REMOVE TWO (2) SCREWS AND TWO (2) LOCKWASHERS FROM ONE SIDE OF THE POWER PANEL ON THE REAR OF THE DISK DRIVE (ITEM 1). POSITION A SHIPPING BRACKET TO DETERMINE LOCATION ON "U" NUT (ITEM 13) AND ATTACH BRACKET USING ORIGINAL SCREWS AND LOCKWASHERS AND ITEMS 9 AND 12 (AS SHOWN IN DETAIL 'D'). BRACKET MAY BE ATTACHED TO EITHER SIDE OF UNIT.
- TO MOUNT AN RL02 IN CABINET:
  - MOUNT BRACKETS AND SLIDES TO UPRIGHTS.
  - EXTEND SLIDES AS FAR AS POSSIBLE BY RELEASING CATCHES. (SEE DETAIL 'E', SHEET 4).
  - REPLACE DRIVE ON SLIDES AND PUSH BACK UNTIL ENDS OF RAILS FIT UNDER TABS ON SLIDES AND LATCHES ENGAGE.
  - SECURE DRIVE TO SLIDES USING SCREWS SUPPLIED (SEE DETAIL 'F', SHEET 4). TO REMOVE DRIVE, EXTEND SLIDES FULLY, REMOVE SCREWS, RELEASE LATCHES AND LIFT OFF.
- FOR LAST DRIVE IN SYSTEM, I/O CABLE PLUGS INTO EITHER SOCKET. TERMINATOR (SUPPLIED WITH CONTROLLER) PLUGS INTO THE OTHER.

WHEN TWO RL02'S ARE MOUNTED IN A CABINET THE POSITION OF THE SLIDE BRACKETS MUST BE ADJUSTED SO THAT THE BEZELS ARE PARALLEL AND ALIGNED VERTICALLY.

SEE DETAIL 'F' (SHEET 4)

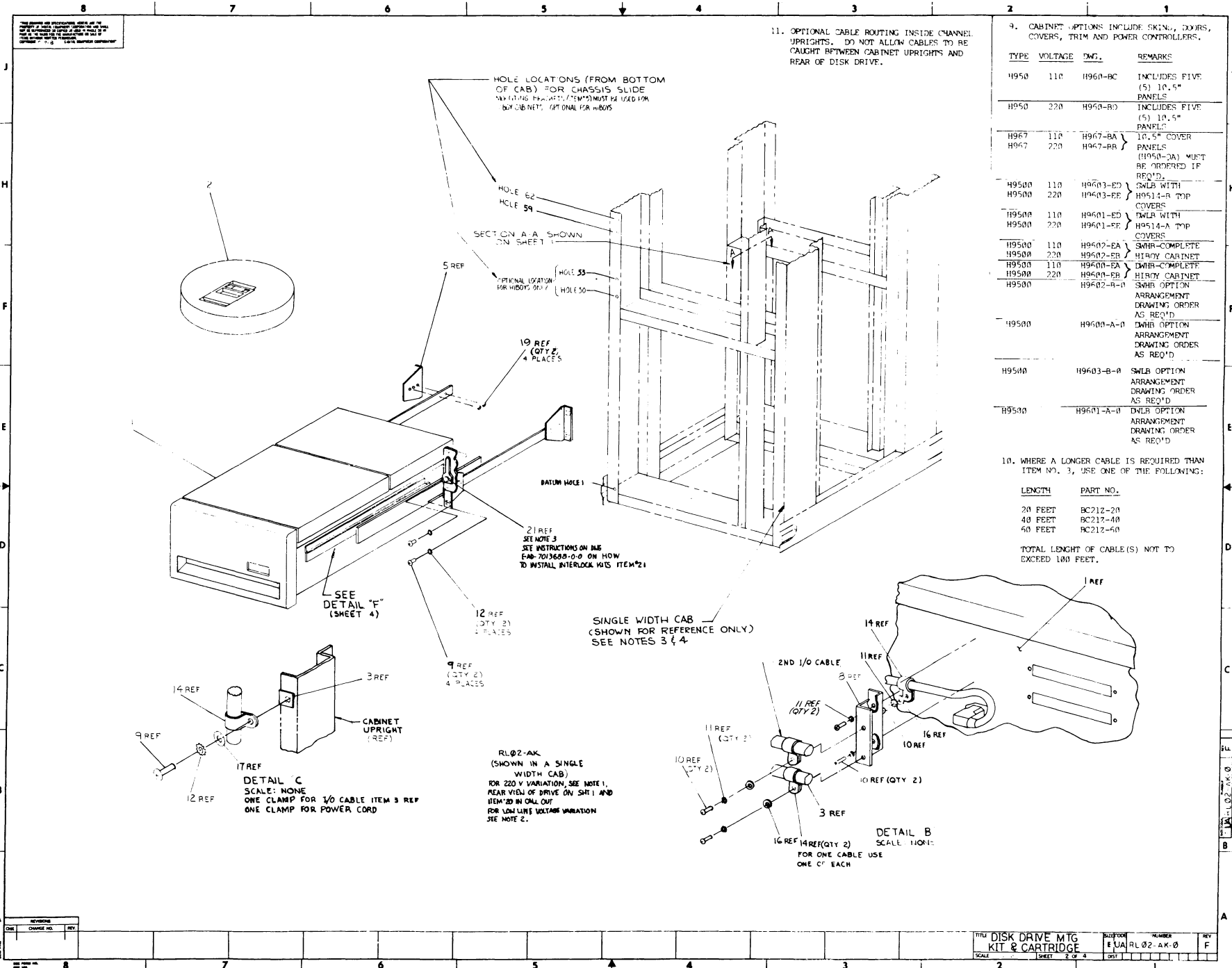
RL02-AK (SHOWN IN A H950 CAB)

SECTION A-A (SHOWING TYPICAL MOUNTING OF CHASSIS SLIDES TO CABINET UPRIGHTS) SCALE: NONE

CAUTION: OFF SHEET PARTS LIST EXISTS SEE K-PL-RL02-AK-D8P (28349)

REV	DESCRIPTION	DATE	BY	CHKD
1	ISSUED FOR PRODUCTION			
2	REVISED TO REFLECT CHANGES TO PARTS LIST			
3	REVISED TO REFLECT CHANGES TO PARTS LIST			
4	REVISED TO REFLECT CHANGES TO PARTS LIST			
5	REVISED TO REFLECT CHANGES TO PARTS LIST			
6	REVISED TO REFLECT CHANGES TO PARTS LIST			
7	REVISED TO REFLECT CHANGES TO PARTS LIST			
8	REVISED TO REFLECT CHANGES TO PARTS LIST			

REV	DESCRIPTION	DATE	BY	CHKD
1	ISSUED FOR PRODUCTION			
2	REVISED TO REFLECT CHANGES TO PARTS LIST			
3	REVISED TO REFLECT CHANGES TO PARTS LIST			
4	REVISED TO REFLECT CHANGES TO PARTS LIST			
5	REVISED TO REFLECT CHANGES TO PARTS LIST			
6	REVISED TO REFLECT CHANGES TO PARTS LIST			
7	REVISED TO REFLECT CHANGES TO PARTS LIST			
8	REVISED TO REFLECT CHANGES TO PARTS LIST			



11. OPTIONAL CABLE ROUTING INSIDE CHANNEL UPRIGHTS. DO NOT ALLOW CABLES TO BE CAUGHT BETWEEN CABINET UPRIGHTS AND REAR OF DISK DRIVE.

9. CABINET OPTIONS INCLUDE SKINS, DOORS, COVERS, TRIM AND POWER CONTROLLERS.

TYPE	VOLTAGE	DMG.	REMARKS
H950	110	H960-BC	INCLUDES FIVE (5) 10.5" PANELS
H950	220	H960-BD	INCLUDES FIVE (5) 10.5" PANELS
H967	110	H967-BA	10.5" COVER PANELS (H960-DA) MUST BE ORDERED IF REQ'D.
H967	220	H967-BB	
H9500	110	H9603-ED	SWLR WITH
H9500	220	H9603-EE	H9514-A TOP COVERS
H9500	110	H9601-ED	DWLR WITH
H9500	220	H9601-EE	H9514-A TOP COVERS
H9500	110	H9602-EA	SWLR-COMLETE
H9500	220	H9602-EB	HIRBY CABINET
H9500	110	H9600-EA	DWLR-COMLETE
H9500	220	H9600-EB	HIRBY CABINET
H9500		H9602-A-0	SWLR OPTION ARRANGEMENT DRAWING ORDER AS REQ'D
H9500		H9600-A-0	DWLR OPTION ARRANGEMENT DRAWING ORDER AS REQ'D
H9500		H9603-B-0	SWLR OPTION ARRANGEMENT DRAWING ORDER AS REQ'D
H9500		H9601-A-0	DWLR OPTION ARRANGEMENT DRAWING ORDER AS REQ'D

10. WHERE A LONGER CABLE IS REQUIRED THAN ITEM NO. 3, USE ONE OF THE FOLLOWING:

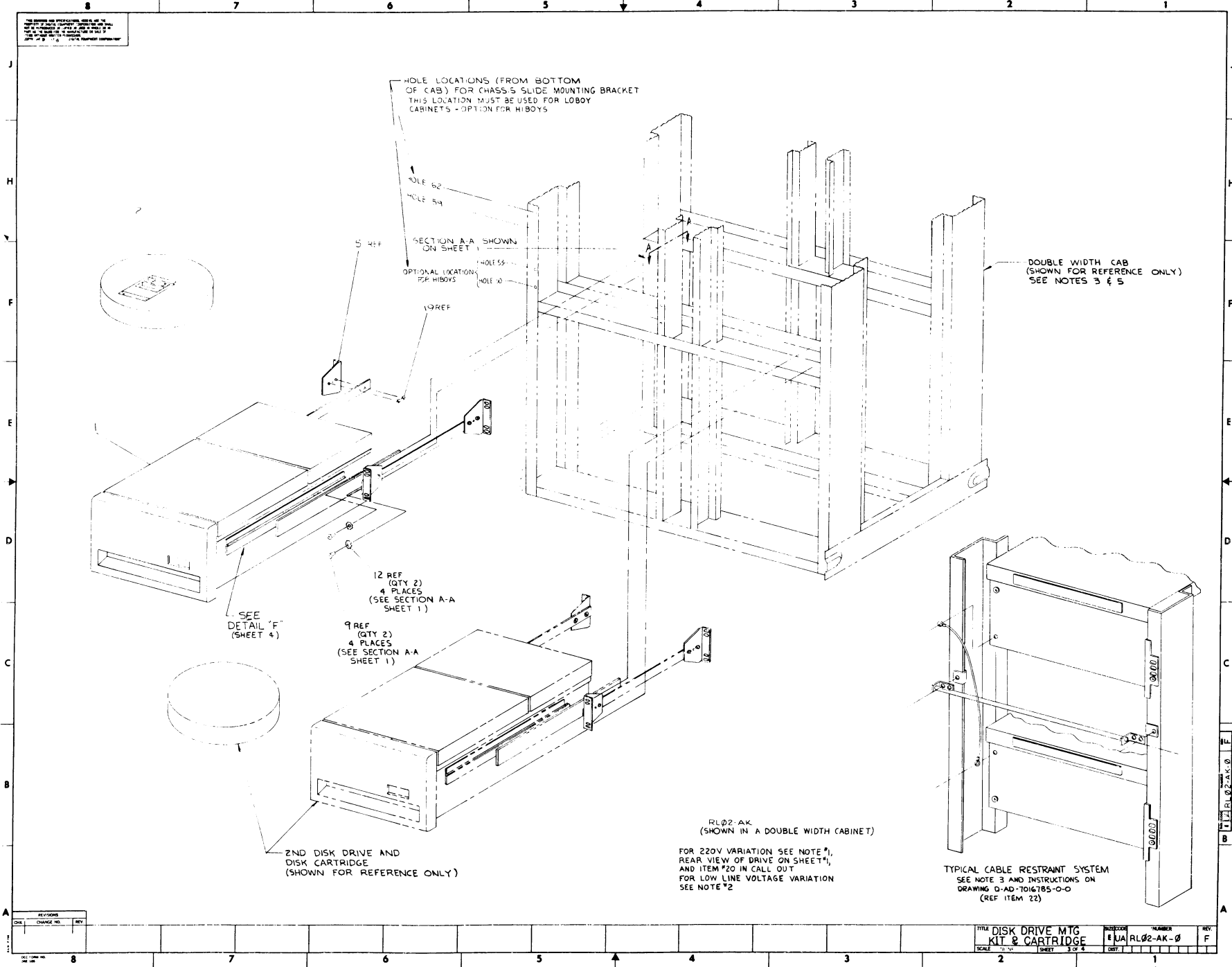
LENGTH	PART NO.
20 FEET	BC212-20
40 FEET	BC212-40
60 FEET	BC212-60

TOTAL LENGTH OF CABLE(S) NOT TO EXCEED 100 FEET.

RL02-AK (SHOWN IN A SINGLE WIDTH CAB) FOR 220 V VARIATION, SEE NOTE 1, REAR VIEW OF DRIVE ON SH1 AND ITEM 20 IN CALL OUT FOR LOW LINE VOLTAGE VARIATION SEE NOTE 2.

DETAIL B SCALE: 1:10:1 FOR ONE CABLE USE ONE OF EACH

REV	CHANGE NO.	REV



THIS DRAWING AND PRECEDING SHEETS ARE THE PROPERTY OF THE COMPANY AND ARE NOT TO BE REPRODUCED OR TRANSMITTED IN ANY FORM OR BY ANY MEANS, ELECTRONIC OR MECHANICAL, INCLUDING PHOTOCOPYING, RECORDING, OR BY ANY INFORMATION STORAGE AND RETRIEVAL SYSTEM. WITHOUT THE WRITTEN PERMISSION OF THE COMPANY.

REV.	DESCRIPTION	DATE

TITLE	DISK DRIVE MTG KIT & CARTRIDGE	SIZE/COOR.	NUMBER	REV.
SCALE	1:1	DET.	RL02-AK-0	F
SHEET	3 OF 4			



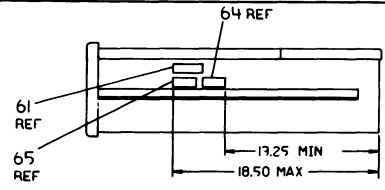




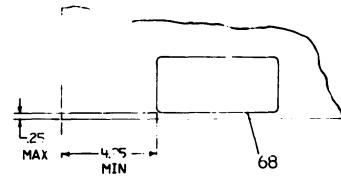
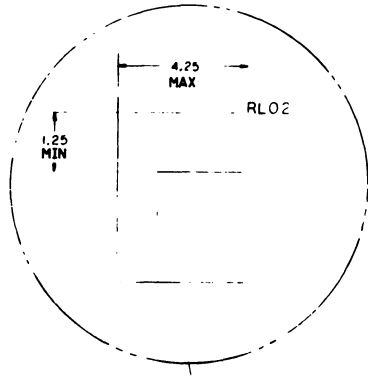
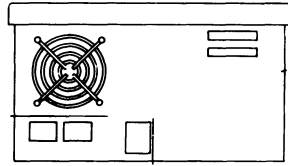




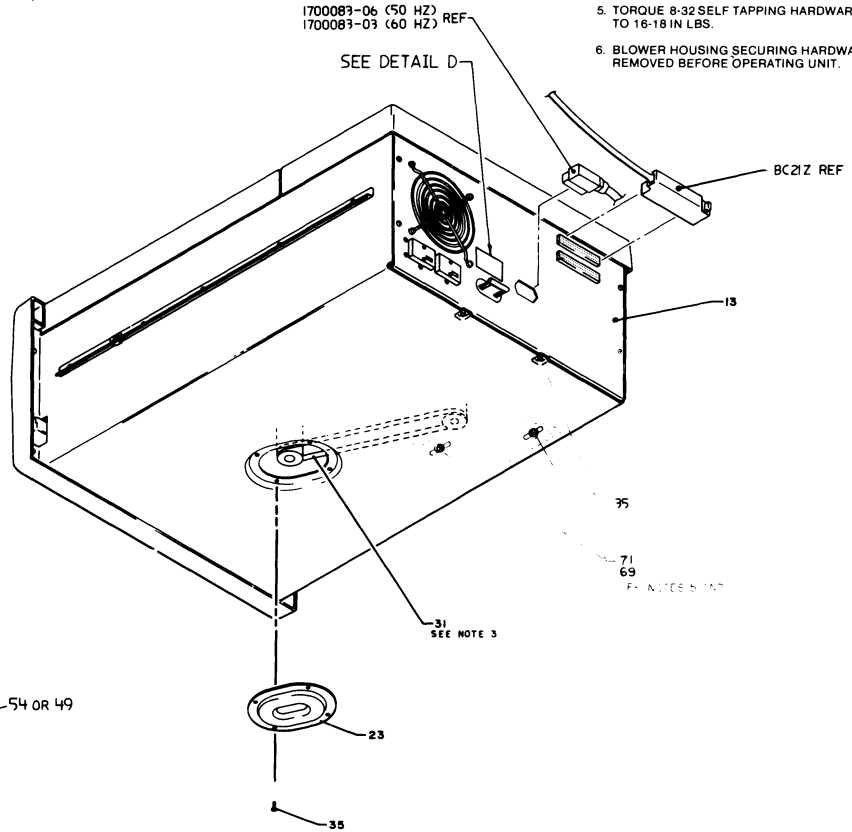
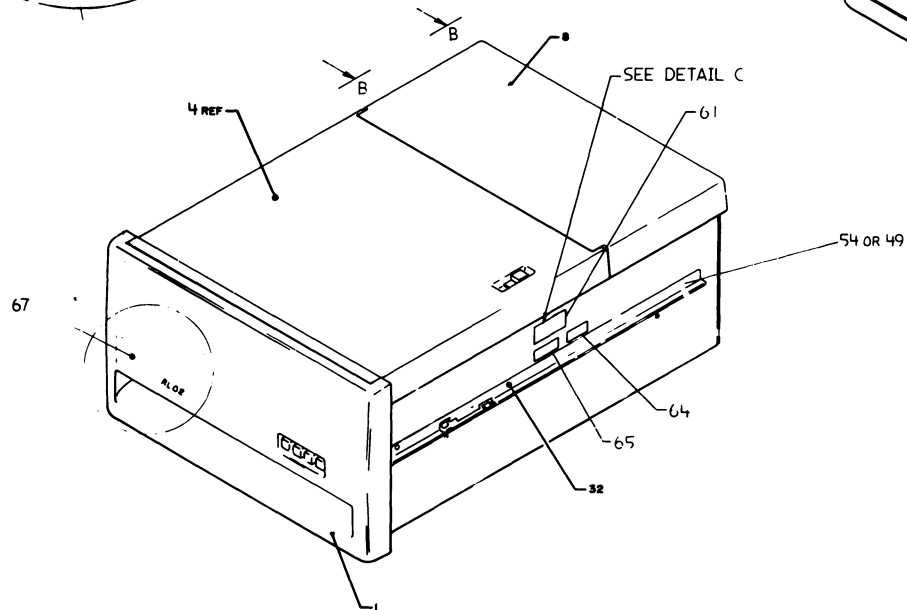
Use dimensions and specifications unless otherwise specified. All dimensions are in inches unless otherwise specified. All tolerances are in inches unless otherwise specified. All dimensions are in inches unless otherwise specified.



DETAIL C  
SCALE: NONE



VIEW B-E



- NOTES
- 1 LOWER HEAD (ITEM 65) SHALL BE POSITIONED REAR ARDS AGAINST PIN IN CARRIAGE
  - 2 ALL SCREWS TO BE TIGHTENED AS FOLLOWS  
 4-40 SCREW, TORQUE 35:0.5 IN LBS  
 6-32 " " " 50:1.0 " "  
 8-32 " " " 100:1.0 " "  
 10-32 " " " 180:2.0 " "
  - 3 DRIVE BELT TENSION 10.0 ± 1.0 LBS.
  - 4 4-40 HEAD MOUNTING BOLTS TO BE TIGHTENED TO 2.5 IN. LBS.
  - 5 TORQUE 8-32 SELF TAPPING HARDWARE (ITEM 69) TO 16-18 IN. LBS.
  - 6 BLOWER HOUSING SECURING HARDWARE TO BE REMOVED BEFORE OPERATING UNIT.

**CAUTION**  
OFF-SHEET PARTS LIST EXISTS  
SEE K-PL-RLO2-0-DBP (Z0485)

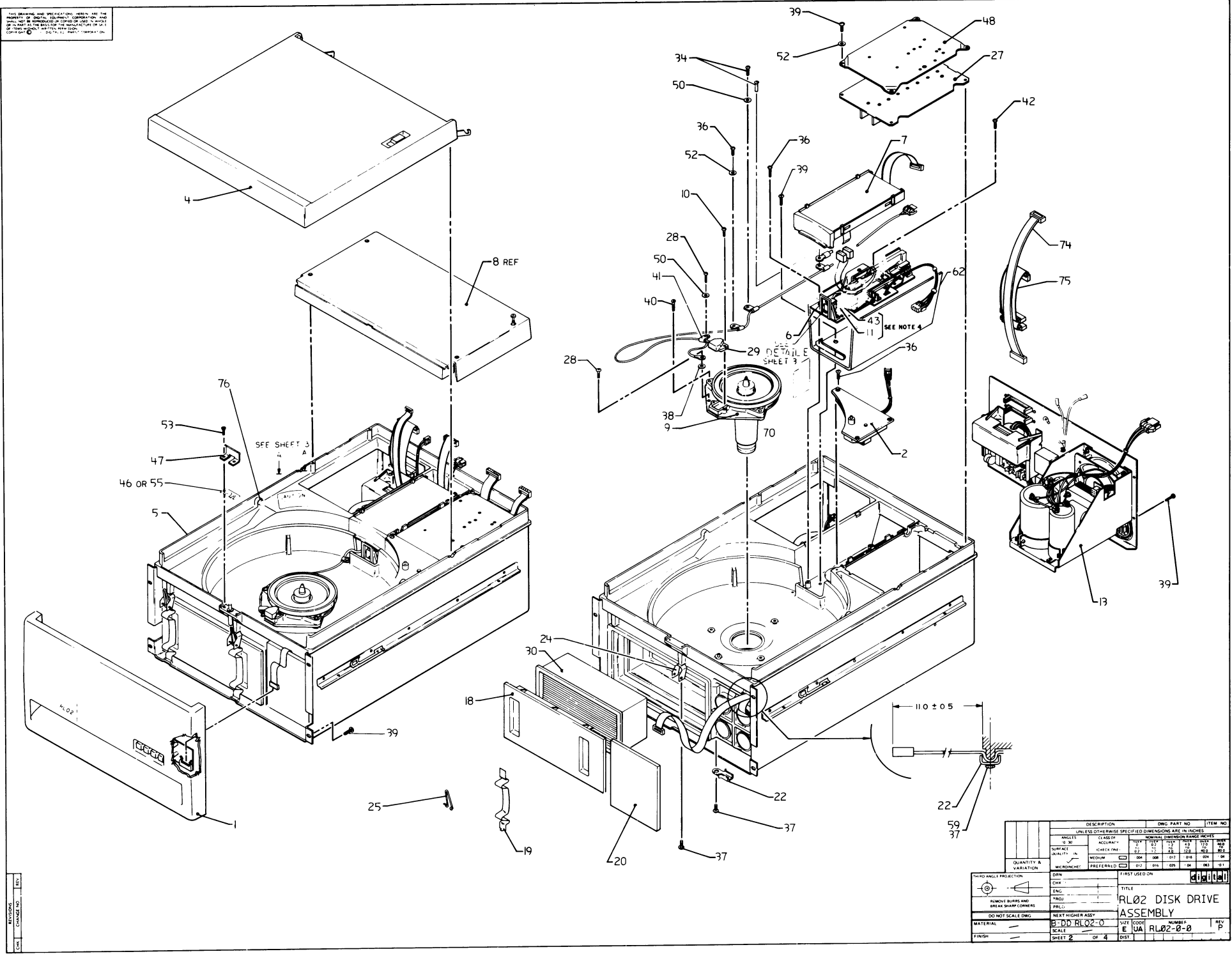
REV	DESCRIPTION	DATE	BY	CHKD
1	INITIAL DESIGN	11/15/68	W. J. BERRY	
2	REVISED TO ADD DIMENSIONS	11/15/68	W. J. BERRY	
3	REVISED TO ADD DIMENSIONS	11/15/68	W. J. BERRY	
4	REVISED TO ADD DIMENSIONS	11/15/68	W. J. BERRY	
5	REVISED TO ADD DIMENSIONS	11/15/68	W. J. BERRY	
6	REVISED TO ADD DIMENSIONS	11/15/68	W. J. BERRY	
7	REVISED TO ADD DIMENSIONS	11/15/68	W. J. BERRY	
8	REVISED TO ADD DIMENSIONS	11/15/68	W. J. BERRY	
9	REVISED TO ADD DIMENSIONS	11/15/68	W. J. BERRY	
10	REVISED TO ADD DIMENSIONS	11/15/68	W. J. BERRY	
11	REVISED TO ADD DIMENSIONS	11/15/68	W. J. BERRY	
12	REVISED TO ADD DIMENSIONS	11/15/68	W. J. BERRY	
13	REVISED TO ADD DIMENSIONS	11/15/68	W. J. BERRY	
14	REVISED TO ADD DIMENSIONS	11/15/68	W. J. BERRY	
15	REVISED TO ADD DIMENSIONS	11/15/68	W. J. BERRY	
16	REVISED TO ADD DIMENSIONS	11/15/68	W. J. BERRY	
17	REVISED TO ADD DIMENSIONS	11/15/68	W. J. BERRY	
18	REVISED TO ADD DIMENSIONS	11/15/68	W. J. BERRY	
19	REVISED TO ADD DIMENSIONS	11/15/68	W. J. BERRY	
20	REVISED TO ADD DIMENSIONS	11/15/68	W. J. BERRY	
21	REVISED TO ADD DIMENSIONS	11/15/68	W. J. BERRY	
22	REVISED TO ADD DIMENSIONS	11/15/68	W. J. BERRY	
23	REVISED TO ADD DIMENSIONS	11/15/68	W. J. BERRY	
24	REVISED TO ADD DIMENSIONS	11/15/68	W. J. BERRY	
25	REVISED TO ADD DIMENSIONS	11/15/68	W. J. BERRY	
26	REVISED TO ADD DIMENSIONS	11/15/68	W. J. BERRY	
27	REVISED TO ADD DIMENSIONS	11/15/68	W. J. BERRY	
28	REVISED TO ADD DIMENSIONS	11/15/68	W. J. BERRY	
29	REVISED TO ADD DIMENSIONS	11/15/68	W. J. BERRY	
30	REVISED TO ADD DIMENSIONS	11/15/68	W. J. BERRY	
31	REVISED TO ADD DIMENSIONS	11/15/68	W. J. BERRY	
32	REVISED TO ADD DIMENSIONS	11/15/68	W. J. BERRY	
33	REVISED TO ADD DIMENSIONS	11/15/68	W. J. BERRY	
34	REVISED TO ADD DIMENSIONS	11/15/68	W. J. BERRY	
35	REVISED TO ADD DIMENSIONS	11/15/68	W. J. BERRY	
36	REVISED TO ADD DIMENSIONS	11/15/68	W. J. BERRY	
37	REVISED TO ADD DIMENSIONS	11/15/68	W. J. BERRY	
38	REVISED TO ADD DIMENSIONS	11/15/68	W. J. BERRY	
39	REVISED TO ADD DIMENSIONS	11/15/68	W. J. BERRY	
40	REVISED TO ADD DIMENSIONS	11/15/68	W. J. BERRY	
41	REVISED TO ADD DIMENSIONS	11/15/68	W. J. BERRY	
42	REVISED TO ADD DIMENSIONS	11/15/68	W. J. BERRY	
43	REVISED TO ADD DIMENSIONS	11/15/68	W. J. BERRY	
44	REVISED TO ADD DIMENSIONS	11/15/68	W. J. BERRY	
45	REVISED TO ADD DIMENSIONS	11/15/68	W. J. BERRY	
46	REVISED TO ADD DIMENSIONS	11/15/68	W. J. BERRY	
47	REVISED TO ADD DIMENSIONS	11/15/68	W. J. BERRY	
48	REVISED TO ADD DIMENSIONS	11/15/68	W. J. BERRY	
49	REVISED TO ADD DIMENSIONS	11/15/68	W. J. BERRY	
50	REVISED TO ADD DIMENSIONS	11/15/68	W. J. BERRY	

REV	DESCRIPTION	DATE	BY	CHKD
1	INITIAL DESIGN	11/15/68	W. J. BERRY	
2	REVISED TO ADD DIMENSIONS	11/15/68	W. J. BERRY	
3	REVISED TO ADD DIMENSIONS	11/15/68	W. J. BERRY	
4	REVISED TO ADD DIMENSIONS	11/15/68	W. J. BERRY	
5	REVISED TO ADD DIMENSIONS	11/15/68	W. J. BERRY	
6	REVISED TO ADD DIMENSIONS	11/15/68	W. J. BERRY	
7	REVISED TO ADD DIMENSIONS	11/15/68	W. J. BERRY	
8	REVISED TO ADD DIMENSIONS	11/15/68	W. J. BERRY	
9	REVISED TO ADD DIMENSIONS	11/15/68	W. J. BERRY	
10	REVISED TO ADD DIMENSIONS	11/15/68	W. J. BERRY	
11	REVISED TO ADD DIMENSIONS	11/15/68	W. J. BERRY	
12	REVISED TO ADD DIMENSIONS	11/15/68	W. J. BERRY	
13	REVISED TO ADD DIMENSIONS	11/15/68	W. J. BERRY	
14	REVISED TO ADD DIMENSIONS	11/15/68	W. J. BERRY	
15	REVISED TO ADD DIMENSIONS	11/15/68	W. J. BERRY	
16	REVISED TO ADD DIMENSIONS	11/15/68	W. J. BERRY	
17	REVISED TO ADD DIMENSIONS	11/15/68	W. J. BERRY	
18	REVISED TO ADD DIMENSIONS	11/15/68	W. J. BERRY	
19	REVISED TO ADD DIMENSIONS	11/15/68	W. J. BERRY	
20	REVISED TO ADD DIMENSIONS	11/15/68	W. J. BERRY	
21	REVISED TO ADD DIMENSIONS	11/15/68	W. J. BERRY	
22	REVISED TO ADD DIMENSIONS	11/15/68	W. J. BERRY	
23	REVISED TO ADD DIMENSIONS	11/15/68	W. J. BERRY	
24	REVISED TO ADD DIMENSIONS	11/15/68	W. J. BERRY	
25	REVISED TO ADD DIMENSIONS	11/15/68	W. J. BERRY	
26	REVISED TO ADD DIMENSIONS	11/15/68	W. J. BERRY	
27	REVISED TO ADD DIMENSIONS	11/15/68	W. J. BERRY	
28	REVISED TO ADD DIMENSIONS	11/15/68	W. J. BERRY	
29	REVISED TO ADD DIMENSIONS	11/15/68	W. J. BERRY	
30	REVISED TO ADD DIMENSIONS	11/15/68	W. J. BERRY	
31	REVISED TO ADD DIMENSIONS	11/15/68	W. J. BERRY	
32	REVISED TO ADD DIMENSIONS	11/15/68	W. J. BERRY	
33	REVISED TO ADD DIMENSIONS	11/15/68	W. J. BERRY	
34	REVISED TO ADD DIMENSIONS	11/15/68	W. J. BERRY	
35	REVISED TO ADD DIMENSIONS	11/15/68	W. J. BERRY	
36	REVISED TO ADD DIMENSIONS	11/15/68	W. J. BERRY	
37	REVISED TO ADD DIMENSIONS	11/15/68	W. J. BERRY	
38	REVISED TO ADD DIMENSIONS	11/15/68	W. J. BERRY	
39	REVISED TO ADD DIMENSIONS	11/15/68	W. J. BERRY	
40	REVISED TO ADD DIMENSIONS	11/15/68	W. J. BERRY	
41	REVISED TO ADD DIMENSIONS	11/15/68	W. J. BERRY	
42	REVISED TO ADD DIMENSIONS	11/15/68	W. J. BERRY	
43	REVISED TO ADD DIMENSIONS	11/15/68	W. J. BERRY	
44	REVISED TO ADD DIMENSIONS	11/15/68	W. J. BERRY	
45	REVISED TO ADD DIMENSIONS	11/15/68	W. J. BERRY	
46	REVISED TO ADD DIMENSIONS	11/15/68	W. J. BERRY	
47	REVISED TO ADD DIMENSIONS	11/15/68	W. J. BERRY	
48	REVISED TO ADD DIMENSIONS	11/15/68	W. J. BERRY	
49	REVISED TO ADD DIMENSIONS	11/15/68	W. J. BERRY	
50	REVISED TO ADD DIMENSIONS	11/15/68	W. J. BERRY	

TITLE  
RLO2 DISK DRIVE  
ASSEMBLY

SCALE  
1:1  
SHEET 1 OF 4

THIS DRAWING AND SPECIFICATION ARE THE PROPERTY OF BUSHNELL COMPANY. NO PART OF THIS DRAWING OR SPECIFICATION MAY BE REPRODUCED OR TRANSMITTED IN ANY FORM OR BY ANY MEANS, ELECTRONIC OR MECHANICAL, INCLUDING PHOTOCOPYING, RECORDING, OR BY ANY INFORMATION STORAGE AND RETRIEVAL SYSTEM, WITHOUT THE WRITTEN PERMISSION OF BUSHNELL COMPANY.



DESCRIPTION		QTY	UNIT	QTY	UNIT	QTY	UNIT	QTY	UNIT
UNLESS OTHERWISE SPECIFIED DIMENSIONS ARE IN INCHES									
FRONT	CLASS	10.0	0.01	10.0	0.01	10.0	0.01	10.0	0.01
SURFACE	ACCURACY	0.005	0.005	0.005	0.005	0.005	0.005	0.005	0.005
QUALITY	CHECK	0.005	0.005	0.005	0.005	0.005	0.005	0.005	0.005
QUANTITY & VARIATION	MICROMETER	0.005	0.005	0.005	0.005	0.005	0.005	0.005	0.005
THIRD ANGLE PROJECTION	DRW	0.005	0.005	0.005	0.005	0.005	0.005	0.005	0.005
REMOVE BURRS AND BREAK SHARP CORNERS	ENG	0.005	0.005	0.005	0.005	0.005	0.005	0.005	0.005
DO NOT SCALE DWG	PRG	0.005	0.005	0.005	0.005	0.005	0.005	0.005	0.005
MATERIAL	FINISH	0.005	0.005	0.005	0.005	0.005	0.005	0.005	0.005

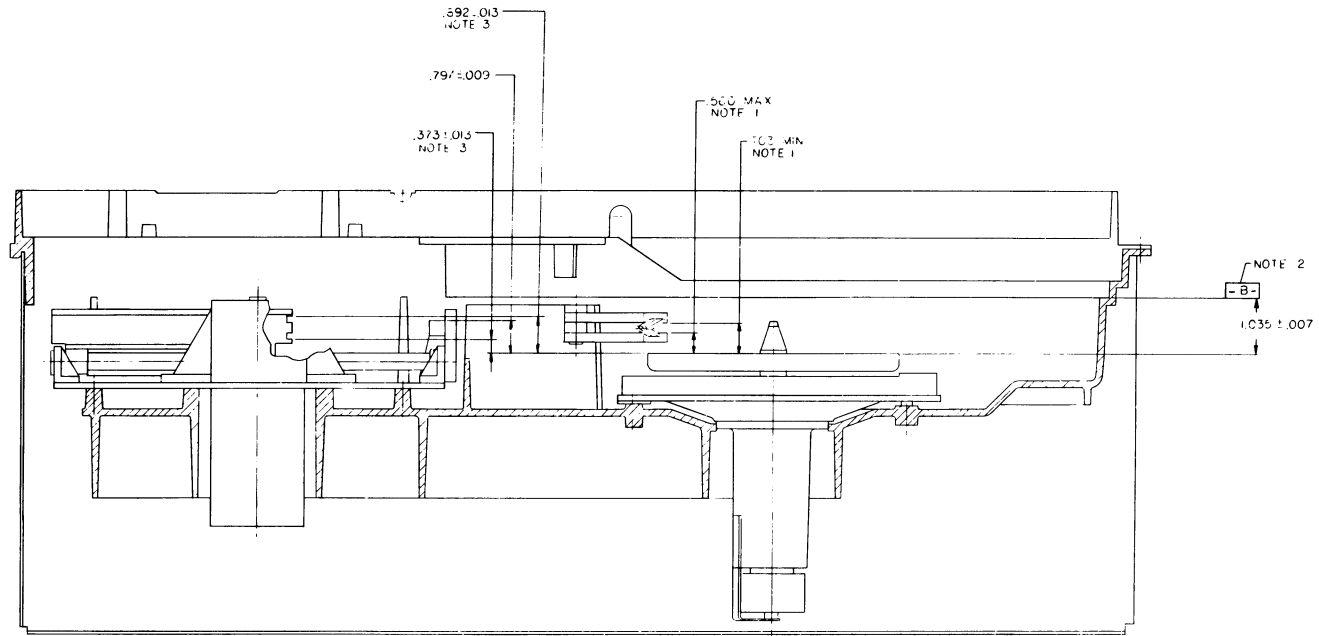
DESCRIPTION: RL02 DISK DRIVE ASSEMBLY  
 DWG PART NO: B-DD RL02-0  
 ITEM NO: 1  
 TITLE: RL02 DISK DRIVE ASSEMBLY  
 SCALE: E U/A  
 SHEET 2 OF 4



THIS DRAWING AND SPECIFICATIONS ARE THE PROPERTY OF THE COMPANY AND ARE NOT TO BE REPRODUCED OR TRANSMITTED IN ANY FORM OR BY ANY MEANS, ELECTRONIC OR MECHANICAL, INCLUDING PHOTOCOPYING, RECORDING, OR BY ANY INFORMATION STORAGE AND RETRIEVAL SYSTEM, WITHOUT THE WRITTEN PERMISSION OF THE COMPANY.

NOTES: (THIS SHEET ONLY)

1. DIMENSION APPLIES TO HIGHEST OR LOWEST POINT ALONG BRUSH ARM OR BLOCK OF BRUSH.
2. 3 TOOLING POINTS, SEE DRAWING 7416846 OR 7415237.
3. DIMENSION HAS TO BE WITHIN .004 AT BOTH EXTREMES OF CARRIAGE TRAVEL.



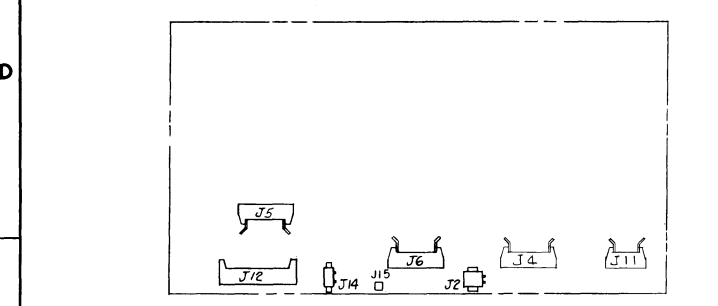
J  
H  
F  
E  
D  
C  
B  
A

J  
H  
F  
E  
D  
C  
B  
A

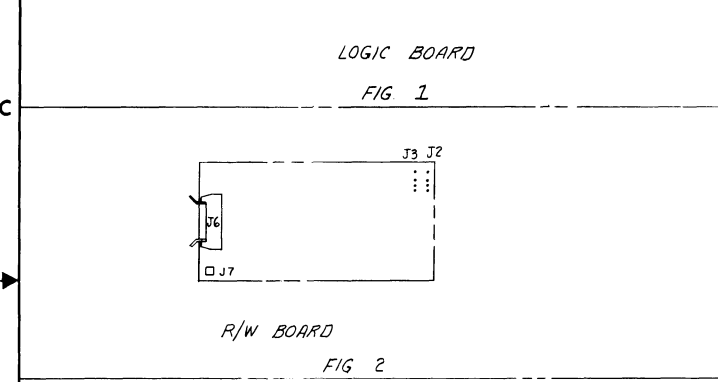
8 7 6 5 4 3 2 1

THIRD ANGLE PROJECTION		DESCRIPTION		QTY PART NO.	ITEM NO.
UNLESS OTHERWISE SPECIFIED DIMENSIONS ARE IN INCHES					
ANGLE 1/2°	CLASS OF ACCURACY	NORMAL DIMENSIONS UNLESS NOTED			
CHECK ONE	FINISH	1.000	1.012	1.024	1.036
QUANTITY & VARIATION	FINISH	1.000	1.012	1.024	1.036
CHKO	INTL NO.	FIRST USE ON			
ENG.	PROJ. ENG.	TITLE			
REMOVE BURRS AND BREAK SHARP CORNERS		RL02 DISK DRIVE ASSEMBLY			
DO NOT SCALE DIMS		NEXT HIGHER ASSY.			
MATERIAL	SIZE CODE	NUMBER	REV.		
FINISH	SCALE	4	OP. 4L	DRY.	1

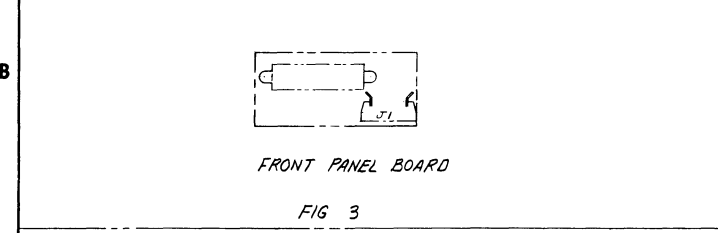
"THIS DRAWING AND SPECIFICATIONS HEREIN, ARE THE PROPERTY OF DIGITAL EQUIPMENT CORPORATION AND SHALL NOT BE REPRODUCED OR COPIED OR USED IN WHOLE OR IN PART AS THE BASIS FOR THE MANUFACTURE OR SALE OF ITEMS WITHOUT WRITTEN PERMISSION. COPYRIGHT © 1978, DIGITAL EQUIPMENT CORPORATION"



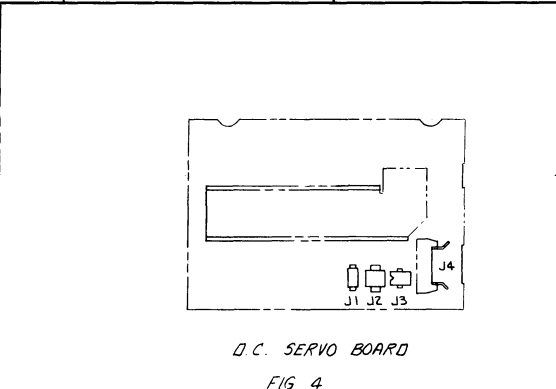
LOGIC BOARD  
FIG 1



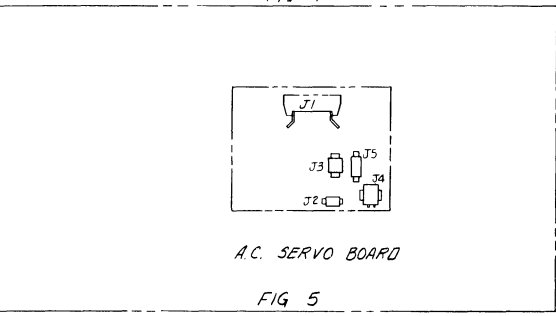
R/W BOARD  
FIG 2



FRONT PANEL BOARD  
FIG 3



D.C. SERVO BOARD  
FIG 4

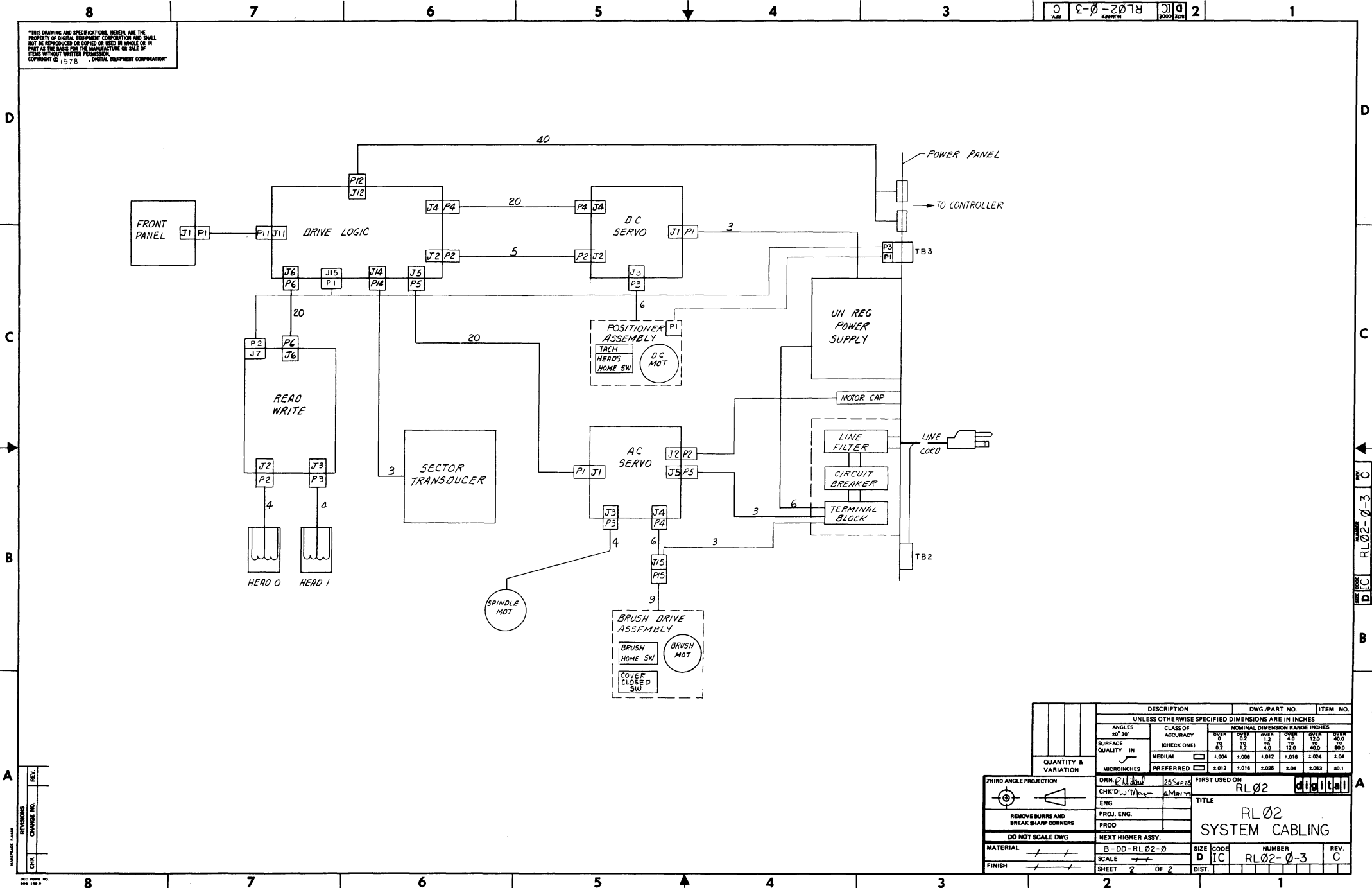


A.C. SERVO BOARD  
FIG 5

REV.	CHANGE NO.	A	B	C
CHK	RL02-C2001	B. MILLER	RL02-CX008	RL02-CX010
DRN		K. GUENEL	K. GUENEL	M. ZARICH
ENGR				
PROJ				

QUANTITY & VARIATION		DESCRIPTION	DWG./PART NO.	ITEM NO.
UNLESS OTHERWISE SPECIFIED DIMENSIONS ARE IN INCHES				
ANGLES	CLASS OF ACCURACY	NOMINAL DIMENSION RANGE INCHES		
90° 30'	(CHECK ONE)	OVER 0 TO 0.25	OVER 0.25 TO 1.0	OVER 1.0 TO 4.0
SURFACE QUALITY	MEDIUM	OVER 4.0 TO 12.0	OVER 12.0 TO 48.0	OVER 48.0 TO 100.0
MICROINCHES	PREFERRED	±.004	±.008	±.012
		±.016	±.025	±.04
		±.063	±.125	±.25
THIRD ANGLE PROJECTION	DRN	25 SEP 78	FIRST USED ON	RL02
REMOVE BURRS AND BREAK SHARP CORNERS	CHKD	3 MAY 79	TITLE	RL02 SYSTEM CABLING
DO NOT SCALE DWG	ENGR	5-4-79	SIZE	D
	PROD.	5-4-79	CODE	IC
			NUMBER	RL02-0-3
MATERIAL			REV.	C
FINISH			SHEET	1 OF 2

"THIS DRAWING AND SPECIFICATIONS, HEREIN, ARE THE PROPERTY OF DIGITAL EQUIPMENT CORPORATION AND SHALL NOT BE REPRODUCED OR COPIED OR USED IN WHOLE OR IN PART AS THE BASIS FOR THE MANUFACTURE OR SALE OF ITEMS WITHOUT WRITTEN PERMISSION. COPYRIGHT © 1978, DIGITAL EQUIPMENT CORPORATION"



QUANTITY & VARIATION		DESCRIPTION		DWG./PART NO.	ITEM NO.
UNLESS OTHERWISE SPECIFIED DIMENSIONS ARE IN INCHES					
ANGLES		CLASS OF ACCURACY			
30° 30'		OVER 0	OVER 0.2	OVER 0.5	OVER 1.0
SURFACE QUALITY		7.5	15	30	60
IN		(CHECK ONE)	4.9	9.9	19.8
MEDIUM		<input type="checkbox"/>	±.004	±.008	±.012
PREFERRED		<input type="checkbox"/>	±.012	±.016	±.020
MICROINCHES		<input type="checkbox"/>	±.04	±.08	±.12
THIRD ANGLE PROJECTION		DRN. P. M. D. W. 25 SEP 78		FIRST USED ON RL02 digital	
REMOVE BURRS AND BREAK SHARP CORNERS		CHK'D. W. M. 4 MIN 78		TITLE	
DO NOT SCALE DWG		PROJ. ENG.		RL02	
MATERIAL		PROD.		SYSTEM CABLING	
FINISH		NEXT HIGHER ASSY.		SIZE CODE	
		B-DD-RL02-0		D IC	
		SCALE		NUMBER	
		SHEET 2 OF 2		RL02-0-3	
		DIST.		REV C	

REVISIONS  
 1. CHANGE NO.  
 DATE  
 BY

LINE ITEM	TOP DOCUMENT	PART NUMBER	MIN REV	DESCRIPTION	QTY PER VARIATION
1	1	D-AD-7012111-0-0		BEZEL ASSY	1
2	2	D-AD-7016991-0-0		SWITCH COVER ASSEMBLY	1
3	3	E-AD-7012114-0-0		DISK MOTOR ASSY	1
4	4	E-AD-7012115-0-0		FRONT COVER ASSY	1
5	5	E-AD-7012116-0-0		MAIN CHASSIS ASSY	1
6	6	D-AD-7012117-0-0		POSITIONER ASSY	1
7	7	D-AD-7015124-0-0		RL02 R/W BOX ASSY	1
8	8	D-AD-7015125-0-0		RL02 REAR COVER ASSY	1
9	9	D-AD-7015116-0-0		SPINDLE ASSY	1
10	10				
11	11	D-IA-7015637-0-0		SCREW,SEMS PAN PHIL	6-
12	12	B-AD-7012128-0-0		RL02 DATA HEAD *A*UP	1
13	13	D-AD-7012130-0-0		*** THIS ITEM IS NOT USED ***	-
14	14	B-IA-7012139-0-0		POWER PANEL ASSEMBLY	1
15	15	B-IA-7014262-0-0		INTERCONNECT CABLE	2
16	16	C-IA-7012140-0-0		*** THIS ITEM IS NOT USED ***	-
17	17	B-IA-7012107-0-0		POWER HARNESS DC	1
18	18	D-MD-7415094-0-0		INTERCONNECT CABLE	1
19	19	D-MD-7415094-0-0		COVER, PLENUM	1
20	20	C-MD-7415101-0-0		SPRING, PLENUM COVER	2
21	21	C-MD-7415297-0-0		FILTER,PAD	1
22	22	C-MD-7415303-0-0		COVER AC SERVO	1
23	23	C-MD-7416335-0-0		CABLE RETAINER	1
24	24	D-MD-7417450-0-0		HATCH	1
25	25	C-MD-7417454-0-0		BRACKET PLENUM	2
26	26	C-MD-7417455-0-0		LATCH PLENUM	2
27	27	D-UA-5411848-0-0		ETCH BRD 54-11848	1
28	28	D-UA-5413534-0-0		DC SERVO + POWER SUPPLY (RL02)	1
				9000049-21	6-
				SCREW,SEMS PAN PHIL	2

REVISION HISTORY		BASIC PART NO: ORL02		DRN:	W.GRIMES	DATE: 15 FEB 78	D I G I T A L			
ENG!	ECO NUMBER	REV	SECTION A OF A	CHK'D:	W.MAJOR	DATE: 15 FEB 78	TITLE PARTS LIST			
---	RL02-CZ002	A	SECTION,VARIATION INDEX				RL02 DISK DRIVE ASSEMBLY			
BM	RL02-CX003	B	IA100							
BM	RL02-CX004	C								
KG	RL02-CX006A	D	[B]	DES.ENG:	B.MILLER	DATE: 15 FEB 78	DOCUMENT NUMBER			
KG	RL02-CX008	E					SIZE	CODE	NUMBER	REV
KG	RL02-CX009	F	[C]							
MZ	RL02-CX010	H		RESP.ENG.:	B.MILLER	DATE: 15 FEB 78	K	PL	RL02-0-DBP	P
KG	RL02-CX012	J	[D]							
KG	RL02-CX013	K								
MZ	RL02-CX015	L	[E]	MFG.ENG.:	D.LICK	DATE: 15 FEB 78	RELEASE DATE:			
SM	RL02-CX17A	M								
SM	RL02-CX16C	N	[F]	ASSEMBLY NUMBER:		TOP DOCUMENT NUMBER:	FILE NAME:		EDIT #:	
SM	RL02-CX22A	P		E-UA-RL02-0-0		# B-DD-RL02-0	Z0485P.PLS		34	

\* THIS DRAWING AND THE SPECIFICATIONS CONTAINED HEREIN ARE CONFIDENTIAL AND PROPRIETARY. THEY ARE THE PROPERTY OF DIGITAL EQUIPMENT CORPORATION AND SHALL NOT BE REPRODUCED OR COPIED OR USED IN WHOLE OR IN PART AS THE BASIS FOR THE MANUFACTURE OR SALE OF ITEMS WITHOUT WRITTEN PERMISSION. THIS IS AN UNPUBLISHED WORK PROTECTED UNDER THE FEDERAL COPYRIGHT LAWS.

LINE ITEM	TOP DOCUMENT	PART NUMBER	MIN REV	DESCRIPTION	QTY PER VARIATION
29	D-AD-7012137-0-0	7012137-00		TRANSDUCER	1
30		1213097-00		FILTER,AIR HEPA	1
31		1213369-00		BELT,WOVEN,ENDLESS.375WX27.14BLG	1
32		1213686-01		MOUNTING RAIL FOR 12-13686-00	1
33		1214330-00		SPRING,EXTENSION .3600DX2.590	1
34		9000049-23		SCREW,SEMS PAN PHIL 6-	2
35		9000049-26		SCREW,SEMS PAN PHIL 8-	6
36		9000049-27		SCREW,SEMS PAN PHIL 8-	8
37		9000049-28		SCREW,SEMS PAN PHIL 8-	5
38		9006633-00		WASHER,LOCK INTERNAL STEEL	1
39		9009545-01		SCREW,SEMS PAN PHIL 8-	16
40		9009282-00		SCREW,SEMS PAN PHIL 10-	3
41		9007079-00		CLAMP, CABLE, SCREW MNT, 1/8"	4
42		9000049-05		SCREW,SEMS TRUSS PHIL 8-	2
43	D-IA-7015637-0-0	7015637-01		RL02 DATA HEAD "A" DN	1
44		9009884-00		WASHER,FLAT DELRIN	4
45		9009885-00		WASHER,SPRING WAVE SHP STEEL	2
46	B-MD-7420084-0-0	7420084-00		SHIM, LATCH	A/R
47	C-MD-7416865-0-0	7416865-00		BRACKET LATCH	1
48	D-MD-7420826-0-0	7420826-00		COVER, DC SERVO BOARD	1
49		9006040-01		*** THIS ITEM IS NOT USED ***	-
50		9006653-00		WASHER,FLAT STEEL	2
51		1214559-00		WASHER,FLAT SST	2
52		9006660-00		WASHER,FLAT SST	5
53		9009759-00		SCREW,MACH FLAT PHIL 8-	2
54		9006454-00		RIVET,ROUND DOMI 5,155DX0.300	10
55	B-MD-7420084-0-0	7420084-01		SHIM LATCH	A/R
56		3700406-00		INSTR PKG DISK RL01 DRIVE	1
57		9007649-00		*** THIS ITEM IS NOT USED ***	-
58		9006021-01		*** THIS ITEM IS NOT USED ***	-
59		9008072-00		*** THIS ITEM IS NOT USED ***	-
60		9009974-00		WASHER,FLAT SST	2
61		3613209-03		LABEL,ADH BACK,ELEC,DATA	1
62	D-MD-7420068-0-0	7420068-00		SHIELD POSITIONER	1
63		3620191-01	A	LABEL,CAUTION	1
64	A-DC-7416197-0-0	7416197-02		DECAL-UL LISTED EDP	1
65		3613211-01		DECAL,CLEAR PREPRINTED DSA 1-1/4	1
66		3615687-00		LABEL,ADHESIVE BACK FOR RL02	1
67		3615393-05		LABEL,RUB-ON,RL02	1
68		3618098-01		LABEL,ATTENTION SHIPPING HDW	1
69		9006418-01		SCREW,TAP PAN PHIL THD RL 8-	2
70	B-MD-7422834-0-0	7422834-00		INSULATOR,HEAD CABLE	1
71		9009023-00		WASHER,LOCK INTERNAL SST	2
72	C-14-7017608-0-0	7017608-00		*** THIS ITEM IS NOT USED ***	-
73	B-IA-7017609-0-0	7017609-00		*** THIS ITEM IS NOT USED ***	-
74	B-IA-7012139-0-0	7012139-00		INTERCONNECT CABLE	1

D I G I T A L		TITLE	SECTION A OF A	SIZE	CODE	DOCUMENT NUMBER	REV
		RL02 DISK DRIVE ASSEMBLY		K	PI	RL02-0-DBP	P



AUTOMATED BY PRTLST.3P(44)

P A R T S L I S T

SHEET A3 OF A3

LINE	ITEM	TOP DOCUMENT	PART NUMBER	MIN REV	DESCRIPTION	QTY PER VARIATION 00
75	75	B-1A-7012123-0-0	7012123-00		CAB ASSY I/O	1
76	76	C-MD-7421977-0-0	7421977-00		GUIDE HINGE BRACKET	2

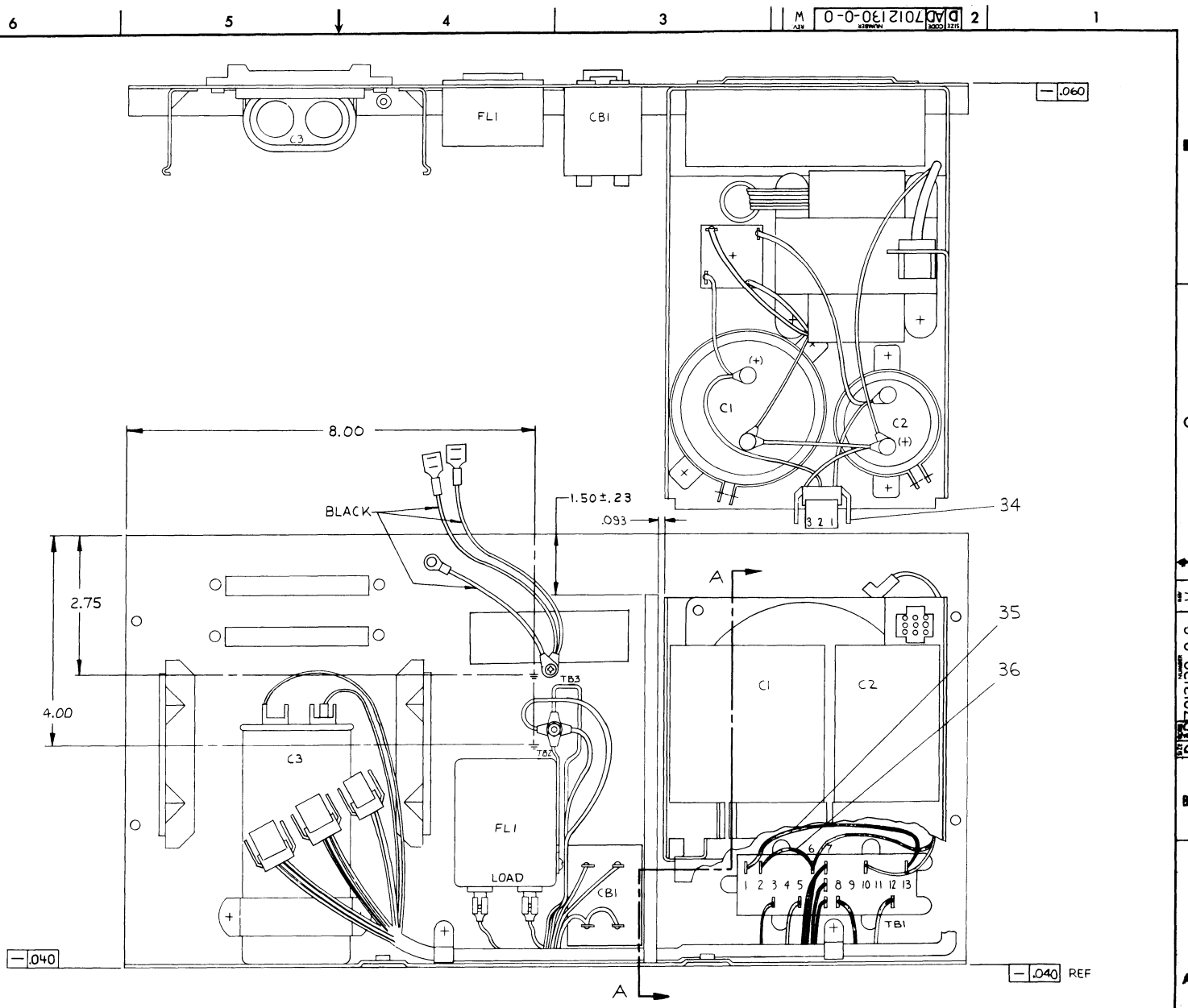
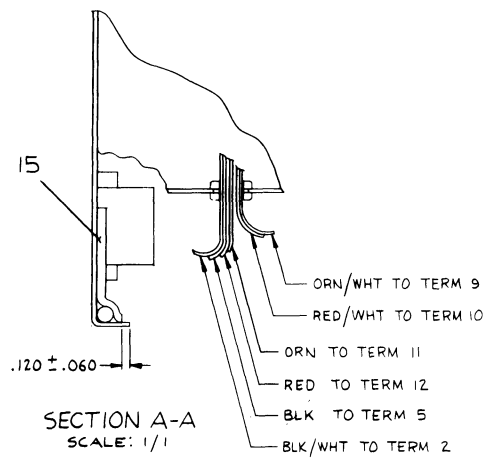
D	I	G	I	T	A	L	TITLE	SECTION A OF A	SIZE	CODE	DOCUMENT NUMBER	REV
							RL02 DISK DRIVE ASSEMBLY		K	PL	RL02-0-DBP	P



THIS DRAWING AND SPECIFICATIONS HEREIN ARE THE PROPERTY OF DIGITAL EQUIPMENT CORPORATION AND SHALL NOT BE REPRODUCED OR COPIED OR USED IN WHOLE OR IN PART AS THE BASIS FOR THE MANUFACTURE OR SALE OF ITEMS WITHOUT WRITTEN PERMISSION. COPYRIGHT © 1978 DIGITAL EQUIPMENT CORPORATION

NOTES:

1. INPUT VOLTAGE 50 OR 60 HZ  
90-105, 100-128 VAC  
180-210, 200-256 VAC
2. OUTPUT VOLTAGE  $\pm 11.5$  VDC MIN AT MIN POINT OF THE RIPPLE. 18 VDC MAX AT HIGH LINE. (MAX OF 25 VDC AT HIGH LINE NO LOAD).
3. OUTPUT CURRENT: POSITIVE OUTPUT  
2.5 AMP CONTINUOUS  
3.5 AMP PULSE "25 MS"  
NEGATIVE OUTPUT  
.25 AMP CONTINUOUS  
3.5 AMP PULSE "25 MS"  
PULSE CURRENT ON ALTERNATE OUTPUT AT A 65 MS OUT CYCLE.
4. OUTPUT RIPPLE AT 110 VOLTS  
A. NO LOAD 100 MV P/P  
B. +2.5 A 600 MV P/P  
-.25 A 300 MV P/P  
C. +2.5 A 600 MV P/P  
-3.75 A 1.5 V DURING PULSE
5. RIPPLE AT 90 V RMS  
+2.5 A 500 MV  
-3.75 A 2V  
+6 A 900 MV  
-2.5 A 400 MV
5. HIGH POT TEST PER UL 478  
CONNECT BOTH AC LEADS TO THE POSITIVE TERMINAL OF THE SUPPLY AND GRN WIRE GROUND TO THE NEGATIVE TERMINAL OF THE SUPPLY. CLOSE CIRCUIT BREAKER AND INCREASE VOLTAGE TO 1750 VDC, ANY CURRENT INDICATES FAILURE.

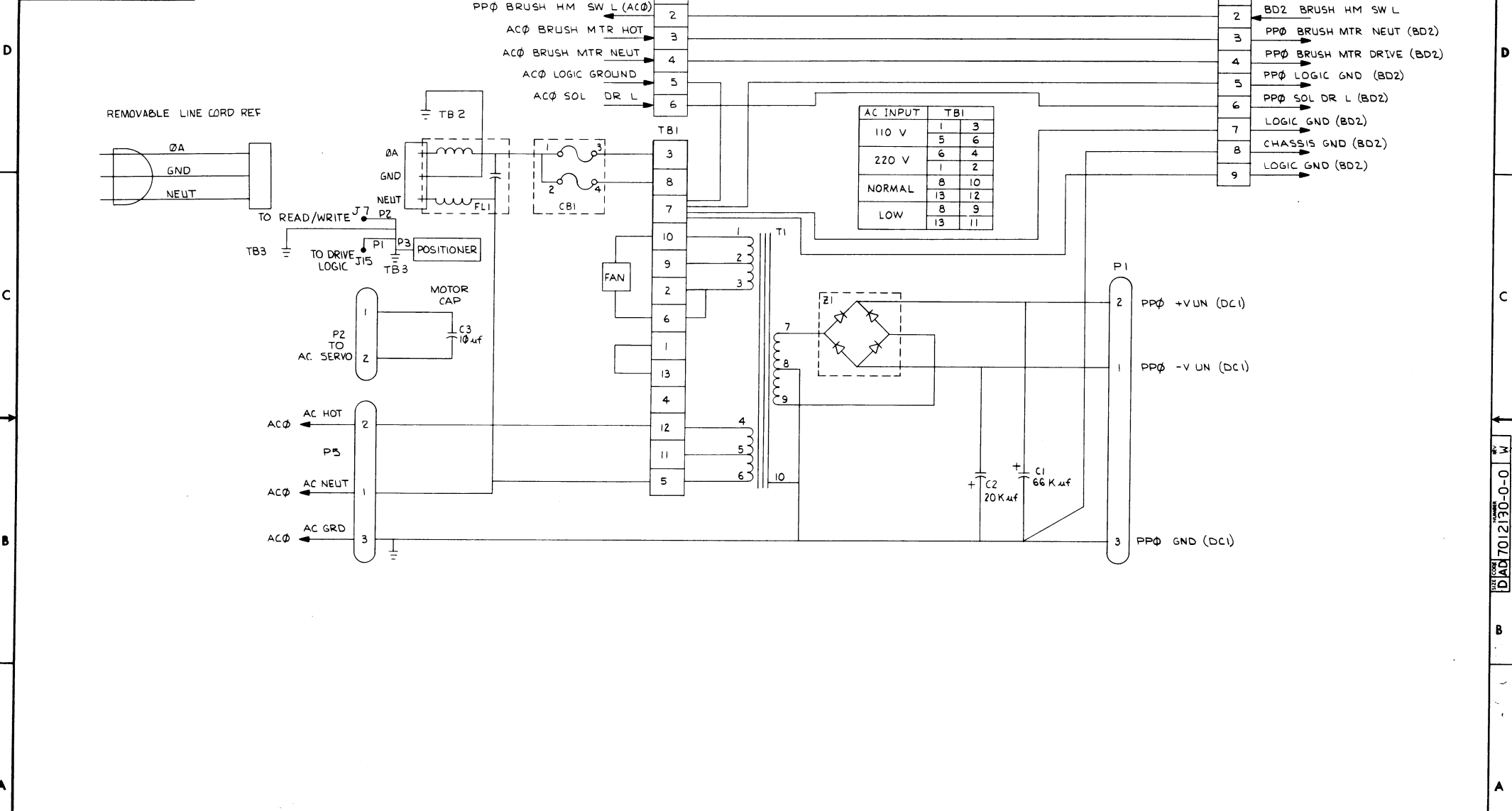


D-AD-7012130-0-0 SHT 2

REVISIONS		
CHK	CHANGE NO.	REV.

TITLE	POWER PANEL ASSY	SIZE CODE	DAD	NUMBER	7012130-0-0	REV.	W
SCALE:	1/1	SHEET	2 OF 3	DIST.			

THIS DRAWING AND SPECIFICATIONS, HEREIN, ARE THE PROPERTY OF DIGITAL EQUIPMENT CORPORATION AND SHALL NOT BE REPRODUCED OR COPIED OR USED IN WHOLE OR IN PART AS THE BASIS FOR THE MANUFACTURE OR SALE OF ITEMS WITHOUT WRITTEN PERMISSION. COPYRIGHT © 1978 DIGITAL EQUIPMENT CORPORATION.



AC INPUT	TBI	
110 V	1	3
	5	6
220 V	6	4
	1	2
NORMAL	8	10
	13	12
LOW	8	9
	13	11

REVISIONS		
CHK	CHANGE NO.	REV.

LINE ITEM	DOCUMENT NUMBER	PART NUMBER	DESCRIPTION	QUANTITY PER VARIATION
1		9006070-01	SCREW,MACH PAN PHIL 10-	4
2	D-IA-7416326-0-0	7416326-00	CHASSIS	1
3		9006028-01	*** THIS ITEM IS NOT USED ***	-
4	C-AD-7012127-0-0	7012127-00	TERMINAL BLOCK ASSY.	1
5		9008072-00	WASHER,LOCK EXTERNAL STEEL	4
6		1210430-00	BRACKET,CAPACITOR,2"	1
7		1210431-00	BRACKET,CAPACITOR,3-1/16"	1
8		1213156-01	BRACKET,CAPACITOR,WRAP-AROUND	1
9		9007016-00	GROMMET,ROUND RUBBER	1
10		1213683-00	BOOT,CAPACITOR,RUBBER	1
11		9007113-00	*** THIS ITEM IS NOT USED ***	-
12		9009768-01	*** THIS ITEM IS NOT USED ***	-
13		9007082-00	CLAMP,CABLE,SCREW MTD. 5/16"	2
14		9009800-01	SCREW,TAP PAN PHIL THD RL 6-	4
15		9009059-01	TAPE,FOAM, 1/2W X 1/4THK W/ ADH	A/R
16		9006020-01	SCREW,MACH PAN PHIL 6-	12
17		9006023-01	SCREW,MACH PAN PHIL 6-	3
18		9006036-01	SCREW,MACH PAN PHIL 8-	4
19		9006027-01	SCREW,MACH PAN PHIL 6-	4
20		1013102-00	10 MFD 370VAC 6% PAPER/OIL	1
21	D-IA-7012108-0-0	7012108-00	POWER PANEL HARNESS	1
22		1215360-00	*** THIS ITEM IS NOT USED ***	-
23		9006633-00	WASHER,LOCK INTERNAL STEEL	18
24		1216827-00	CKT BKR 2.5 A 250V 2P MAGNETIC	1
25	SEE NOTE 1.	1209403-06	FAN,TUBE AXIAL 4.5" 100CFM 115V	1
26	B-IA-7012110-0-0	7012110-00	HARNESS AC-TB	1
27		1210263-00	GUARD,FINGER 4.125 X 4.125 MTG H	1
28		1613897-00	XFMR P=AR S=11.5@6A	1
29		1110051-00	DM 16 ASSY@200V & 25A #990-3	1
30		1013530-00	66,000 MFD 30V +75-10% AL EL	1

REVISION HISTORY		BASIC PART NO:	ORL01	DRN:	D. MELCHOIR	DATE:	12-AUG-76	D I G I T A L			
ENG	ECO NUMBER	REV	SECTION A OF A	CHK'D:	G. SCHNEIDER	DATE:	24-AUG-77	TITLE	PARTS LIST		
KG	7012130-CX010	P	SECTION. VARIATION INDEX	DES.ENG.:	G. SCHNEIDER	DATE:	24-AUG-77	POWER PANEL ASSEMBLY			
KG	RL02-CX008	R	[A] 00								
KG	7012130-CX011	S									
MZ	RL02-CX010	T	[B]	RESP.ENG.:	P. ARNOLD	DATE:	30-AUG-77	DOCUMENT NUMBER			
KG	7012130-CX012	U	[C]					SIZE	CODE	NUMBER	REV
IW	7012130-CX013	V	[D]								
SM	7012130-CX16C	W	[E]	MFG.ENG.:	B. RYLANDER	DATE:	30-AUG-77	K	PL	7012130-0-DRP	W
			[F]	ASSEMBLY NUMBER:		TOP DOCUMENT NUMBER:		FILE NAME:	EDIT #		
				D-AD-7012130-0-0		# B-DD-RL02-0		Z0849W.FLS	44		

\*THIS DRAWING AND SPECIFICATIONS HEREIN, ARE THE PROPERTY OF DIGITAL EQUIPMENT CORPORATION AND SHALL NOT BE REPRODUCED OR COPIED OR USED IN WHOLE OR IN PART AS THE BASIS FOR THE MANUFACTURE OR SALE OF ITEMS WITHOUT WRITTEN PERMISSION. COPYRIGHT (C) 1982, DIGITAL EQUIPMENT CORPORATION \*

6 Oct 76

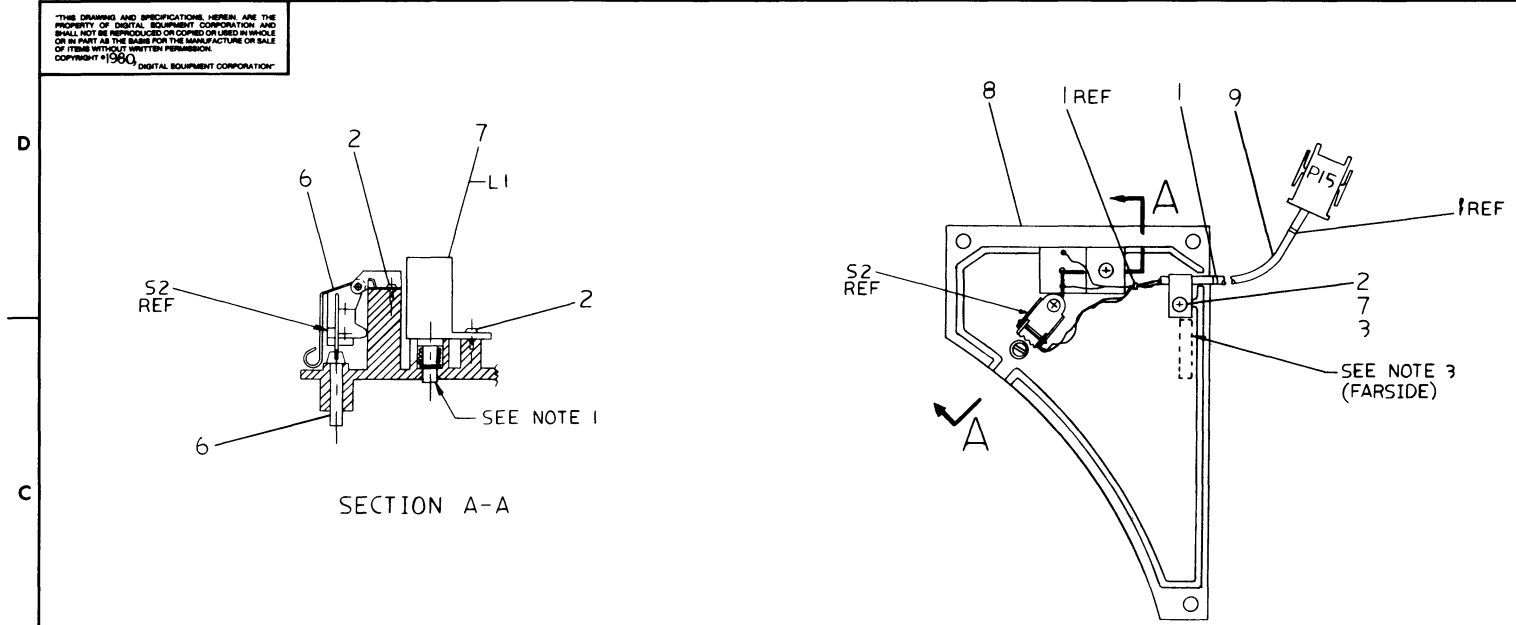
LINE ITEM	DOCUMENT NUMBER	PART NUMBER	DESCRIPTION	QUANTITY PER VARIATION
				00
31	31	1013531-00	20,000 MFD 40V +75-10% AL EL	1
32	32	B-IA-7012109-0-0	7012109-00 *** THIS ITEM IS NOT USED ***	-
33	33	9006560-00	NUT,HEX EXT TOOTH LCKWSHR 6-32	2
34	34	C-IA-7012142-0-0	7012142-00 CABLE	1
35	35	B-IA-7012125-0-0	7012125-0E INTERCONNECT CABLE	1
36	36	B-IA-7012125-0-0	7012125-0B TB INTERCONNECTOR HARNESS	1
37	37	9006653-00	WASHER,FLAT STEEL	6
38	38	9009800-06	SCREW,TAP PAN PHIL THD RL 6-	3
39	39	9006635-00	WASHER,LOCK INTERNAL STEEL	4
40	40	9007649-00	WASHER,LOCK EXTERNAL STEEL	6
41	41	9006021-01	SCREW,MACH PAN PHIL 6-	4
42	42	1211591-35	CONN,ZIF 40PIN RCPT ASSY	2
43	43	1211591-38	CONN,ZIF 40PIN RCPT,SWAP IN GU	4
44	44	9008301-01	SCREW,MACH PAN PHIL 4-	4
45	45	B-IA-7017609-0-0	7017609-00 GROUND HARNESS	1
46	46	C-IA-7017608-0-0	7017608-00 GROUND HARNESS	1
47	47	9009255-00	LABEL, POWER SUPPLY, 2-15/16 " L	1
48	48	3612680-00	DECAL, GROUND SIGN PER 3E6 *	2
49	49	1218468-00	FILTER,LINE,115/250V,47-63HZ	1
50	50	9008957-00	NUT,HEX 6-32X .246AF SS/N	2
51	51	9006025-01	SCREW,MACH PAN PHIL 6-	1
52	52	9009165-00	CLIP, FAN MOUNTING (12-05033 FAN	4
53	53	9007927-00	TERM,RING #5,6STUD CRIMP 14-1	1
54	54	SEE NOTE 2.	1700083-03 PWR CORD,TERM,108IN,14-3,125V 15	1
55	55	3612680-02	DECAL, GROUND SIGN W/CIRCLE,BLK	1

- 56 NOTE: -1. PART NUMBER 1209403 USED AS FOLLOWS:  
 57 NOTE: - -06 VARIATION MANDATORY FOR USE IN HK.  
 58 NOTE: - -06 OR -01 VARIATION OPTIONAL AT GA.  
 59 NOTE: -  
 60 NOTE: -2. PART NUMBER 1700083 USED AS FOLLOWS:  
 61 NOTE: - -03 VARIATION FOR USE WITH 60 HZ.  
 62 NOTE: - -06 VARIATION FOR USE WITH 50 HZ.

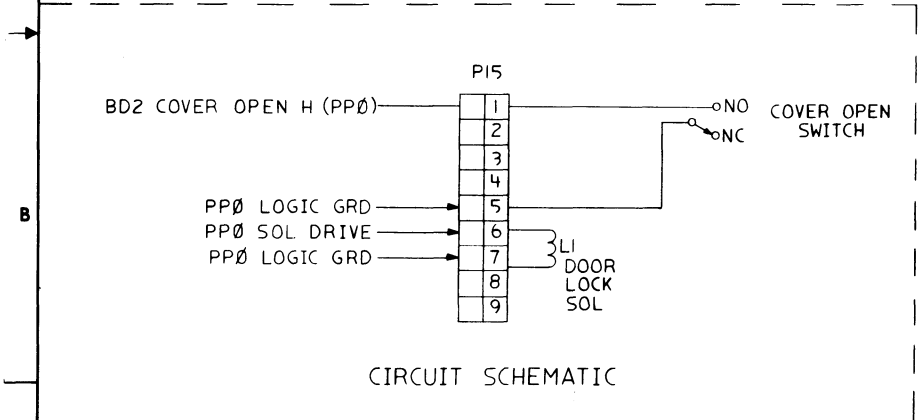
D	I	G	I	T	A	L	TITLE	SECTION A	OF A	SIZE	CODE	DOCUMENT NUMBER	REV
							POWER PANEL ASSEMBLY			K	PL	7012130-0-DBP	W

THIS DRAWING AND SPECIFICATIONS HEREIN ARE THE PROPERTY OF DIGITAL EQUIPMENT CORPORATION AND SHALL NOT BE REPRODUCED OR COPIED OR USED IN WHOLE OR IN PART AS THE BASIS FOR THE MANUFACTURE OR SALE OF ITEMS WITHOUT WRITTEN PERMISSION.  
 COPYRIGHT © 1980 DIGITAL EQUIPMENT CORPORATION

DAD7016991-0-0



- NOTES:
1. PLUNGER OF SOLENOID, COVER LOCK (ITEM 5) MUST MOVE FREELY. WHEN ASSEMBLY IS POSITIONED IN "UP" POSITION (TIP OF PLUNGER POINTING UP) A D C VOLTAGE OF 6.9 VOLTS SHALL PULL THE PLUNGER DOWN.
  2. CONNECT LEADS OF SOLENOID, COVER LOCK (ITEM 5) TO PINS 6 & 7 OF CONNECTOR BODY (PI5), DRESS WIRES AND TIE TO COVER, SWITCH HARNESS (ITEM 9) WITH TIE CABLE (ITEM 1) AS SHOWN.
  3. PART TO BE MARKED WITH PART NO. (7016991-00) AND LATEST REVISION LETTER IN AREA SHOWN (FAR SIDE).



CAUTION: OFF SHEET PARTS LISTS EXISTS.  
 SEE K-PL-7016991-0-DBP (Z0984).

REV	DATE	DESCRIPTION	BY	CHKD
1	10 OCT 80	RELEASED TO ECO CONTROL	K. S. WENZEL	
2	18 NOV 81	PER ECO PLAN - C20048 AT REV 1	K. S. WENZEL	
3	14 FEB 83	7016991-C2018	T. F. WESTER	
4	14 FEB 83	7016991-C2022	W. HANDEY	

DESCRIPTION		DRAWING NO.		PART NO.		ITEM NO.	
UNLESS OTHERWISE SPECIFIED DIMENSIONS ARE IN INCHES AND THE FOLLOWING TOLERANCES APPLY (PER DEC STD 114)							
INCHES TOLERANCES	ANGLES ± 0°30'	APPLICABLE DIMENSION RANGE	DIMENSION RANGE IN INCHES				
			OVER 0 TO 0.2	OVER 0.2 TO 1.2	OVER 1.2 TO 4.0	OVER 4.0 TO 12.0	OVER 12.0 TO 40.0
QUANTITY & VARIATION	SURFACE QUALITY	(CHECK ONE)	± .02	± .03	± .05	± .10	± .15
			± .004	± .008	± .012	± .016	± .024
THIRD ANGLE PROJECTION		DRW	DATE	TITLE			
DO NOT SCALE DRAWING		DATE	DATE	digital			
REMOVE BURRS AND BREAK SHARP CORNERS		DATE	DATE	SWITCH COVER ASSY			
MATERIAL		DATE	DATE	DOCUMENT NUMBER			
SEE PARTS LIST		DATE	DATE	DAD7016991-0-0			
FINISH		DATE	DATE	SCALE 1/1 SHEET 1 OF 1			

LINE	ITEM	DOCUMENT NUMBER	PART NUMBER	DESCRIPTION	QUANTITY PER VARIATION
1	1		9007031-00	TIE,CABLE BUNDL.DIA 0- 3/4"=101	3
2	2		9009800-06	SCREW,TAP PAN PHIL THD RL 6-	3
3	3		9007080-00	CLAMP,CABLE,SCREW MTD, 3/16"	1
4	4	C-AD-7012132-0-0	7012132-00	CARTRIDGE SENSE SWITCH ASSY,	1
5	5	C-PS-1213204-0-0	1213204-00	SOLENOID,COVER LOCK	1
6	6	B-MD-7416858-0-0	7416858-00	PLUNGER, CARTRIDGE SENSE	1
7	7		9006653-00	WASHER,FLAT STEEL	1
8	8	E-IA-7415224-0-0	7415224-00	COVER, SWITCH	1
9	9	C-IA-7017333-0-0	7017333-00	COVER, SWITCH HARNESS	1

REVISION HISTORY			BASIC PART NO: 7016991			D I G I T A L		
ENG	ECO NUMBER	REV	SECTION A OF A	DRN:	DATE:	TITLE		
KG	RLO1-CX048	*	SECTION, VARIATION INDEX	CHK'D: D. MILLER	DATE: 20 OCT 80	PARTS LIST		
EW	7016991-CX01B	A	[A] 00			SWITCH COVER ASSY		
	7016991-CX02A	B	[B]	DES.ENG.: K. GUENZEL	DATE: 22 OCT 80	DOCUMENT NUMBER		
			[C]	RESP.ENG.: I. WALENTA	DATE: 22 OCT 80	SIZE	CODE	NUMBER
			[D]			K	PL	7016991-0-DBP
			[E]	MFG.ENG.: J. BLAND	DATE: 22 OCT 80			
			[F]	ASSEMBLY NUMBER:	TOP DOCUMENT NUMBER:	FILE NAME:		EDIT #
				D-AD-7016991-0-0	#B-DD-RLO1-0	Z0984B.PLS		10

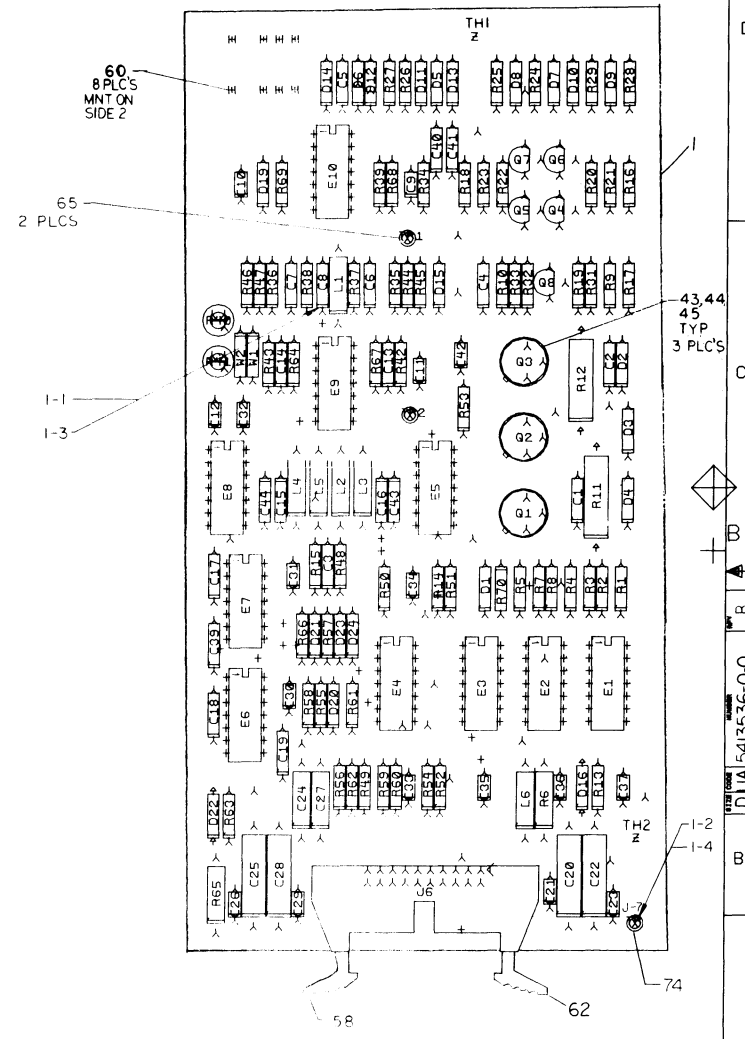
*Handwritten notes:*  
 RDM  
 18 FEB  
 83  
 MK  
 1/18/83

\*THIS DRAWING AND SPECIFICATIONS HEREIN, ARE THE PROPERTY OF DIGITAL EQUIPMENT CORPORATION AND SHALL NOT BE REPRODUCED OR COPIED OR USED IN WHOLE OR IN PART AS THE BASIS FOR THE MANUFACTURE OR SALE OF ITEMS WITHOUT WRITTEN PERMISSION. COPYRIGHT (C) 1983. DIGITAL EQUIPMENT CORPORATION \*



THIS DRAWING AND SPECIFICATIONS, HEREIN, ARE THE PROPERTY OF DIGITAL EQUIPMENT CORPORATION AND SHALL NOT BE REPRODUCED OR COPIED IN WHOLE OR IN PART FOR THE BASIS FOR THE CONSTRUCTION OR SALE OF OTHER EQUIPMENT WITHOUT THE WRITTEN PERMISSION OF DIGITAL EQUIPMENT CORPORATION.

COMPONENT SIDE VIEW



NOTES:


CHKCHANGE NO	REV	
5413536-	B	

ETCH REV. B	
PLC. DESIGN DATA BASE	RCV. BL

SIGNATURES	DATE
DRN. <i>F. Pen</i>	8/31/78
CHK'D. <i>F. Pen</i>	8/31/78
ENG. <i>B. Nigam</i>	8/31/78
PROJ. ENG. <i>Nigam</i>	8/31/78
PROD. <i>Nigam</i>	11/27/78
SCALE 2/1	
SHT. 1 OF 2	
NEXT HIGHER ASSY. B-DD-5413536-0	

digital	TITLE RL02
	READ/WRITE BOARD

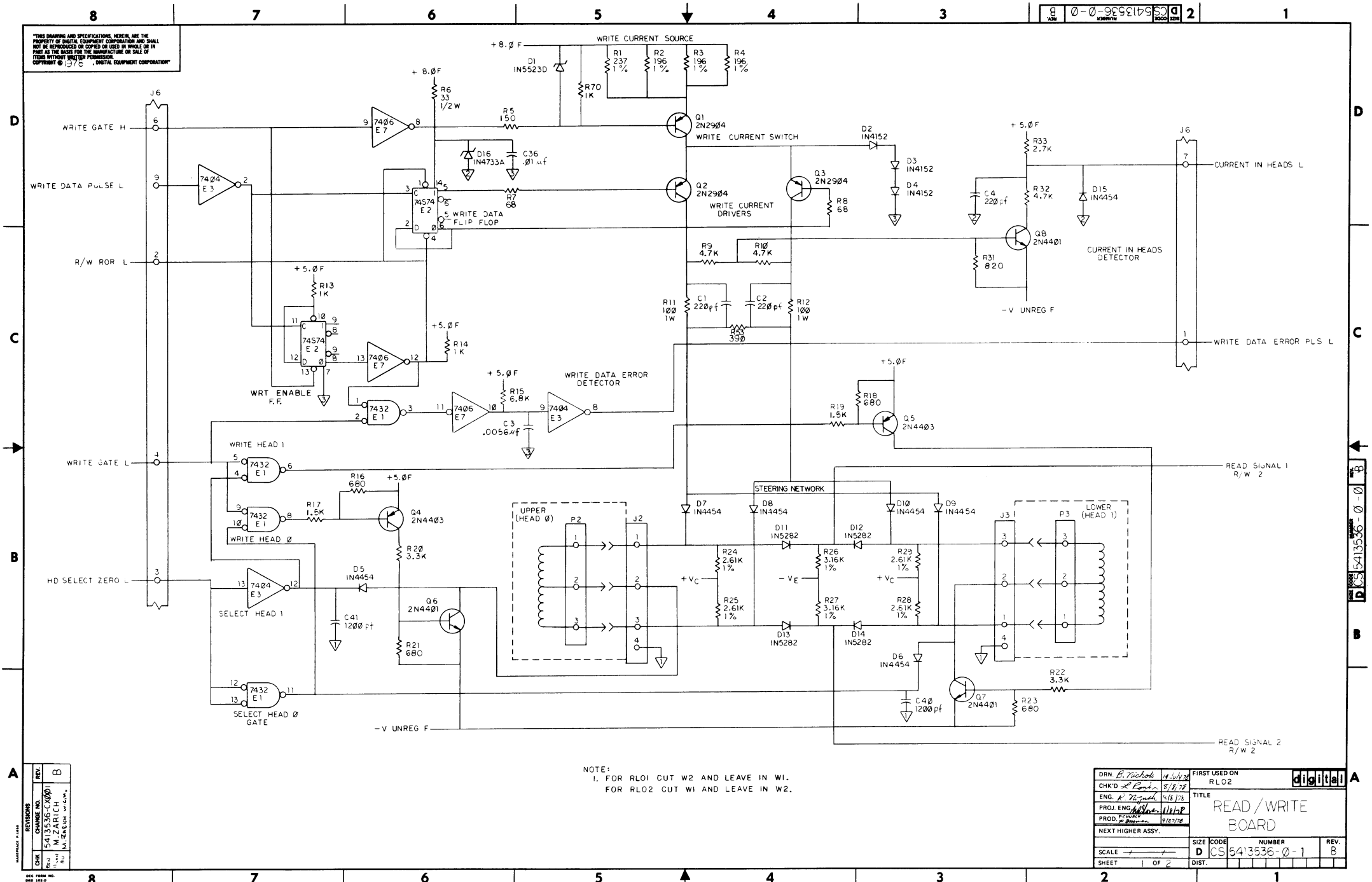
LINE	ITEM	DOCUMENT NUMBER	PART NUMBER	DESCRIPTION	QTY PER VARIATION *00	REFERENCE DESIGNATOR
1	1	D-MD-5013535-0-0	5013535-00	ETCHED CIRCUIT BD	1	
2	2		1001610-00	.01 MFD 50V -20+80 Z5U AXIAL	17	C9-C12,C21,C23,C26,C29-C37,C42
3	3		1005306-00	6.8MFD 35V 10% S.TANT	4	C20,C22,C25,C28
4	4		1013466-14	82.0 MMF 50V 5% CER	2	C16,C43
5	5		1013466-06	100.0 MMF 50V 5% CER.	1	C8
6	6		1013466-05	56.0 MMF 50V 5% CER.	1	C5
7	7		1013466-07	220.0 MMF 50V 5% CER.	5	C1,C2,C4,C17,C39
8	8		1013466-09	1000.0 MMF 50V 10% CER.	1	C18
9	9		1013466-11	.22 MFD 50V +80/-20% CER.	2	C24,C27
10	10		1013466-15	1200.0 MMF 50V 5% CER.	3	C19,C40,C41
11	11		1109943-00	1N 4733A VZ= 5.1 5% 1W Y	2	D16,D22
12	12		1113953-00	1N 5523D VZ= 5.1 1%	1	D1
13	13		1100122-00	1N 748A VZ= 3.9 5%	1	D19
14	14		1111577-00	1N 4454 TR= 4NS PIV= 50 S	11	D5-D10,D15,D20,D21,D23,D24
15	15		1300250-00	150.0 .25 W 5.0 % CC	1	R5
16	16		1300229-00	100.0 .25 W 5.0 % CC	5	R39,R52,R54,R59,R69
17	17		1300232-00	100.0 1.0 W 5.0 % CC	2	R11,R12
18	18		1300247-00	120.0 .25 W 5.0 % CC	1	R56
19	19		1300365-00	1.0 K .25 W 5.0 % CC	8	R13,R14,R35,R36,R48,R49,R66,R70
20	20		1300444-00	3.90 K .25 W 5.0 % CC	1	R46
21	21		1300447-00	4.70 K .25 W 5.0 % CC	3	R9,R10,R32
22	22		1301775-00	820.0 .25 W 5.0 % CC	1	R31
23	23		1301317-00	10.0 .25 W 5.0 % CC	1	R63
24	24		1302612-00	1.78 K 1/4W 1% RN55D-F 100PPM	2	R50,R51
25	25		1300195-00	33.0 .50 W 5.0 % CC	2	R6,R65
26	26		1304725-00	300 1/4W 1% RN55D-F 100PPM	1	R62
27	27		1312930-00	5.10 K .25 W 5.0 % CC	2	R55,R58
28	28		1301424-00	680.0 .25 W 5.0 % CC	4	R16,R18,R21,R23
29	29		1302391-00	20.0 K .25 W 5.0 % CC	1	R60
30	30		1300426-00	2.70 K .25 W 5.0 % CC	1	R33

REVISION HISTORY		BASIC PART NO: 13536		DRN: JERRY BEST		DATE: 14-AUG-78		D I G I T A L	
ENG	ECO NUMBER	REV	SECTION A OF A	CHK'D:	L. ROOHR	DATE:	14-AUG-78	TITLE	PARTS LIST
---	INIT	A	SECTION VARIATION INDEX	CHK'D:	L. ROOHR	DATE:	14-AUG-78		
MZ	5413536-CX001	B	[A] 00					READ/WRITE BOARD	
	<i>M. Zarku w.c.m.</i>		[B]						
	<i>17 JAN 80</i>		[C]	DES.ENG:	B. NOGUCHI	DATE:			
			[D]						
			[E]					DOCUMENT NUMBER	
			[F]	RESP.ENG.:	B. NOGUCHI	DATE:	14-AUG-78		
			[G]					SIZE CODE NUMBER	REV
			[H]						
			[I]	MFG.ENG.:	P. CHURCH	DATE:		K PL 5413536-0-DBP	B
			[J]						
			[K]	ASSEMBLY NUMBER:		TOP DOCUMENT NUMBER:		FILE NAME:	EDIT #
			[L]	D-UA-5413536-0-0		RL02		Z1091B.PLS	7
			[M]						
			[N]						

\*THIS DRAWING AND SPECIFICATIONS HEREIN, ARE THE PROPERTY OF DIGITAL EQUIPMENT CORPORATION AND SHALL NOT BE REPRODUCED OR COPIED OR USED IN WHOLE OR IN PART AS THE BASIS FOR THE MANUFACTURE OR SALE OF ITEMS WITHOUT WRITTEN PERMISSION. COPYRIGHT (C) 1980, DIGITAL EQUIPMENT CORPORATION \*



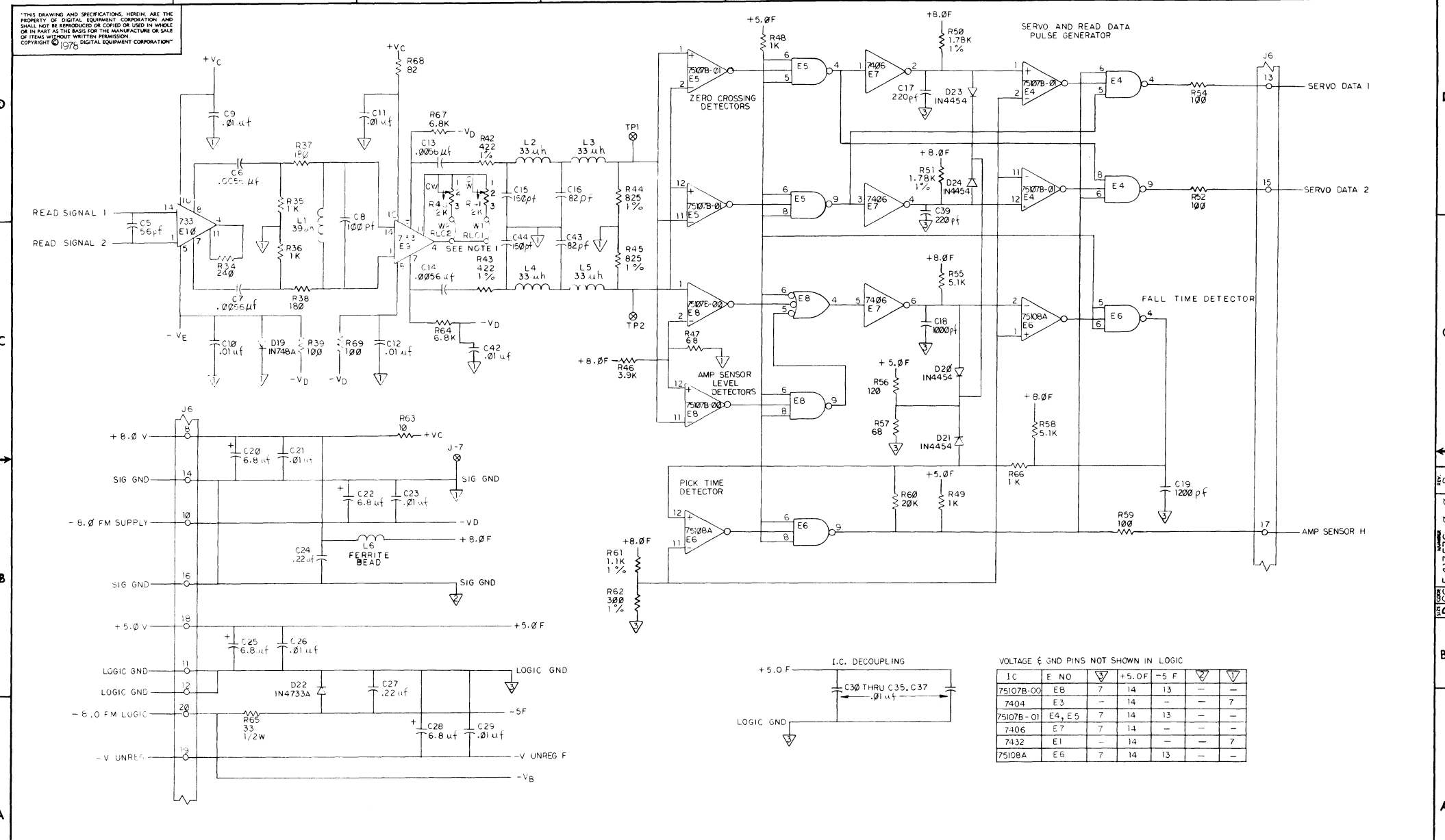
"THIS DRAWING AND SPECIFICATIONS, HEREIN, ARE THE PROPERTY OF DIGITAL EQUIPMENT CORPORATION AND SHALL NOT BE REPRODUCED OR COPIED OR USED IN WHOLE OR IN PART AS THE BASIS FOR THE MANUFACTURE OR SALE OF THIS WITHOUT WRITTEN PERMISSION. COPYRIGHT © 1976, DIGITAL EQUIPMENT CORPORATION"



NOTE:  
 1. FOR RLO1 CUT W2 AND LEAVE IN W1.  
 FOR RLO2 CUT W1 AND LEAVE IN W2.

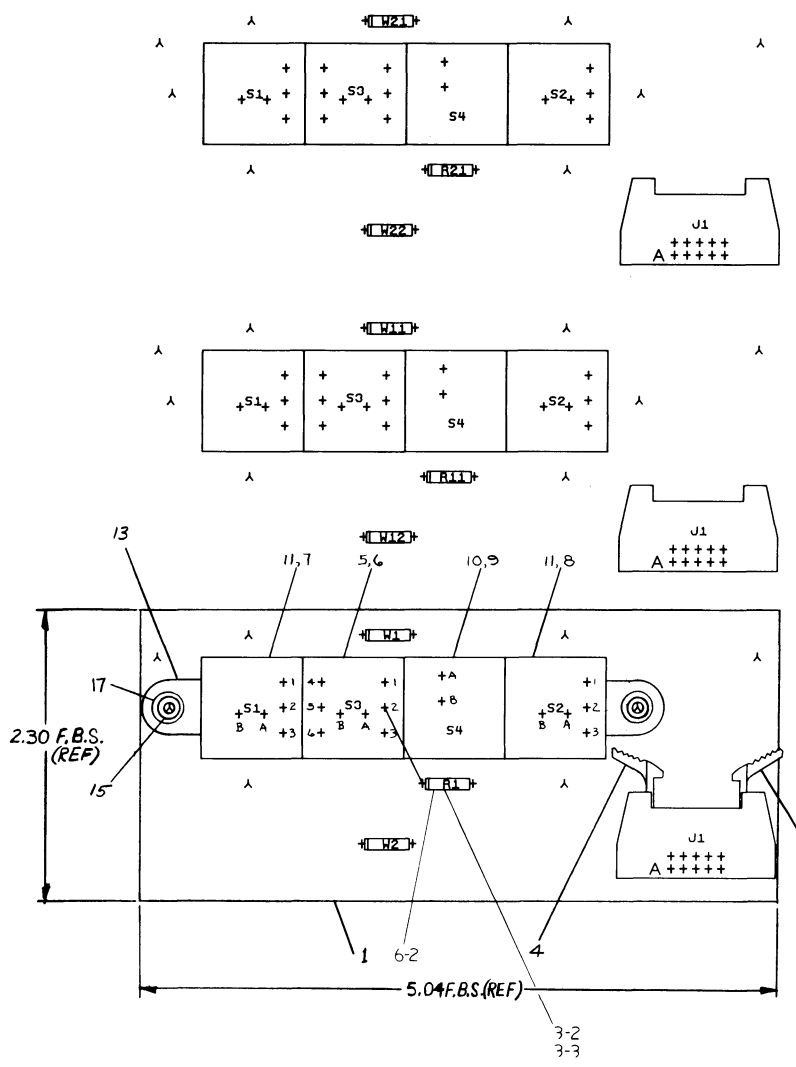
REV.	CHG.	BY	DATE
B			
A			

DRN. <i>E. Nichols</i>	11/17/75	FIRST USED ON	RLO2
CHK'D <i>L. Rankin</i>	8/18/75	TITLE	READ/WRITE BOARD
ENG. <i>R. Nichols</i>	6/16/75	SIZE	D
PROJ. ENG. <i>A. Nichols</i>	6/16/75	CODE	CS 5413536-0-1
PROD. <i>P. Nichols</i>	2/27/76	NUMBER	B
NEXT HIGHER ASSY.		REV.	
SCALE		SHEET	1 OF 2



ALL DIMENSIONS UNLESS OTHERWISE SPECIFIED ARE IN INCHES AND DECIMALS THEREOF.  
 DIMENSIONS ARE TO BE STAMPED ON EACH SIDE (SIDE 2) OF MODULE.  
 REFERENCE TO THIS DRAWING IS MADE IN P.C. DESIGN DATA BASE REV. D  
 DATE 12 May 72

COMPONENT SIDE VIEW

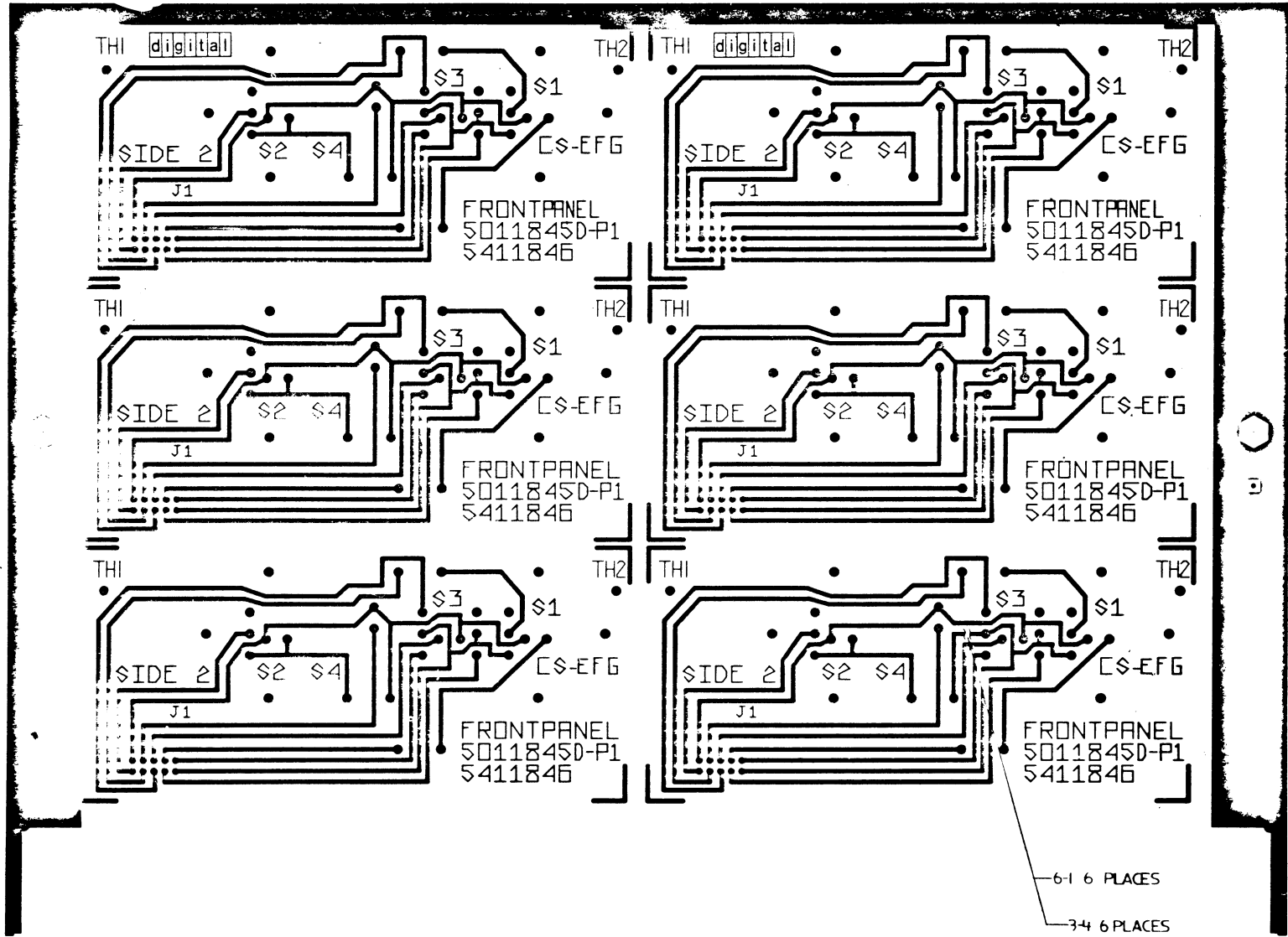


NOTES:  
 1. ALL MANUFACTURING INFORMATION, DATE CODE, CIRCUIT SCHEMATIC, REV. QUALITY CONTROL STAMPS, ETC. ARE TO BE STAMPED ON EACH SIDE (SIDE 2) OF MODULE.

CHK	CHANGE NO	REV	DATE	BY	APP
22	5411846-0001	E			
21	5411846-0001	D			
20	5411846-0001	C			
19	5411846-0001	B			
18	5411846-0001	A			
17	5411846-0001				
16	5411846-0001				
15	5411846-0001				
14	5411846-0001				
13	5411846-0001				
12	5411846-0001				
11	5411846-0001				
10	5411846-0001				
9	5411846-0001				
8	5411846-0001				
7	5411846-0001				
6	5411846-0001				
5	5411846-0001				
4	5411846-0001				
3	5411846-0001				
2	5411846-0001				
1	5411846-0001				

ETCH REV. D	P.C. DESIGN DATA BASE REV. D
-------------	------------------------------

SIGNATURES	DATE	TITLE
DRN. <i>M. J. ...</i>	11/5/76	digital
CHK'D. <i>...</i>	1-11-77	
ENG. <i>...</i>	3-2-77	FRONT PANEL
PROJ. ENG. <i>...</i>	3/2/77	
PROD.		
SCALE 2/1	SIZE CODE	NUMBER
SHT. 1 OF 2	D 10A	5411846-0-0 K
NEXT HIGHER ASSY. B-DD-5411846-0		



D  
C  
3

D  
C  
J  
B  
A

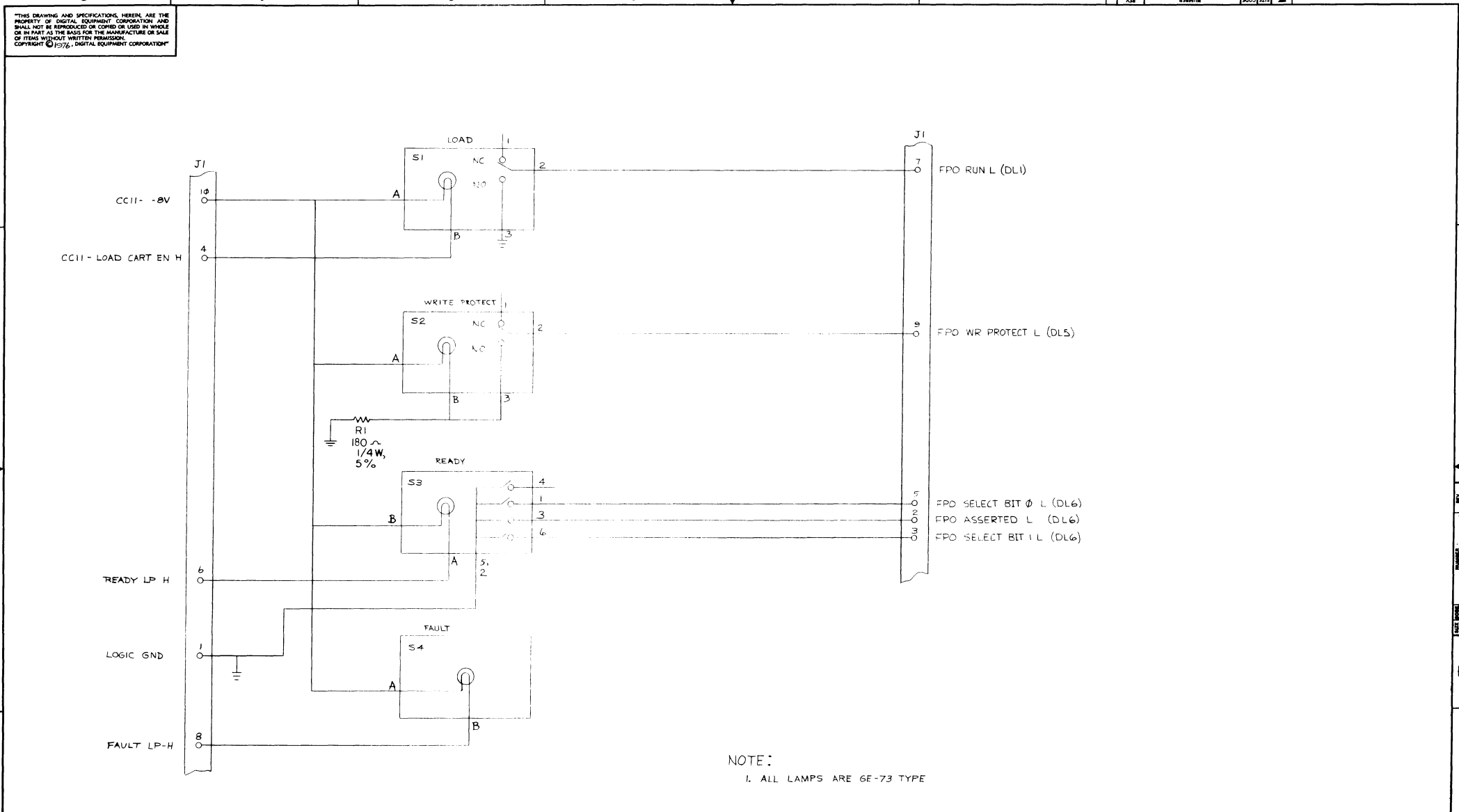
DESIGN	DATE	BY	CHKD





"THIS DRAWING AND SPECIFICATIONS, HEREIN, ARE THE PROPERTY OF DIGITAL EQUIPMENT CORPORATION AND SHALL NOT BE REPRODUCED OR COPIED OR USED IN WHOLE OR IN PART AS THE BASIS FOR THE MANUFACTURE OR SALE OF ITEMS WITHOUT WRITTEN PERMISSION. COPYRIGHT © 1976, DIGITAL EQUIPMENT CORPORATION"

REV. 2  
CS 5411846-0-1  
K



NOTE:  
1. ALL LAMPS ARE 6E-73 TYPE

REV.	CHG	NO.	DATE	BY	CHK
E	15411846-0001	0001	1-11-77	B. ZARICH	
F	15411846-0002	0002	3-7-77	G. REICHENBERG	
H	15411846-0003	0003	3-10-77	M. ZARICH	
J	15411846-0004	0004	3-10-77	M. ZARICH	
K	15411846-0005	0005	3-10-77	M. ZARICH	

DRN. <i>[Signature]</i>	FIRST USED ON	<b>digital</b>
CHK'D <i>[Signature]</i>	TITLE	FRONT PANEL
ENG. <i>[Signature]</i>	DATE	3-7-77
PROJ. ENG. <i>[Signature]</i>	DATE	3-10-77
PROD. <i>[Signature]</i>	DATE	3-7-77
NEXT HIGHER ASSY.	SIZE	CODE
	D	CS
SCALE	NUMBER	REV.
	5411846-0-1	K
SHEET	DIST.	
1		

LINE ITEM	DOCUMENT NUMBER	PART NUMBER	DESCRIPTION	QTY PER VARIATION 00	REFERENCE DESIGNATOR
1	1	D-MD-5011845-0-0	5011845-00	54-11846 ETCH CRKT BRD	1
2	2		1209941-05	HEADER,100 10POS RT ANGLE	1 J1
3	3		1209941-04	HEADER RT ANGLE,RIGHT	1
4	4		1209941-03	HEADER RT ANGLE LEFT L	1
5	5		1212690-02	SW,PB 1P RK06 UNIT SELECT	1 S3
6	6		1212691-00	SW,PF CAP "0/READY" FOR 12-1	1
7	7		1212714-05	SW,PB CAP,YEL/BLK,"LOAD"	1
8	8		1212714-01	SW,PB CAP,YEL/BLK,"WRITE PROT"	1
9	9		1212714-02	SW,PB CAP,RED/BLK,"FAULT"	1
10	10		1212715-02	INDICATOR,DISPLAY PANEL,W/14V LA	1 S4
11	11		1212717-05	SW,PB 1P 3A W/14V LAMP	2 S1,S2
12	12		1212716-01	LAMP,WEDGE,14V	1
13	13		1213188-01	MOUNTING BRACKET,SWITCH	1
14	14		1301322-00	180.0 .25 W 5.0 % CC	1 R1
15	15		9006732-00	EYELET, ROLLED FLANGE, .121 OD X	2
16	16		9107560-01	WIRE,RUSS,22AWG	2 W1,W2
17	17		9006655-00	WASHER, FLAT, .312 O.D. X .125 I	2

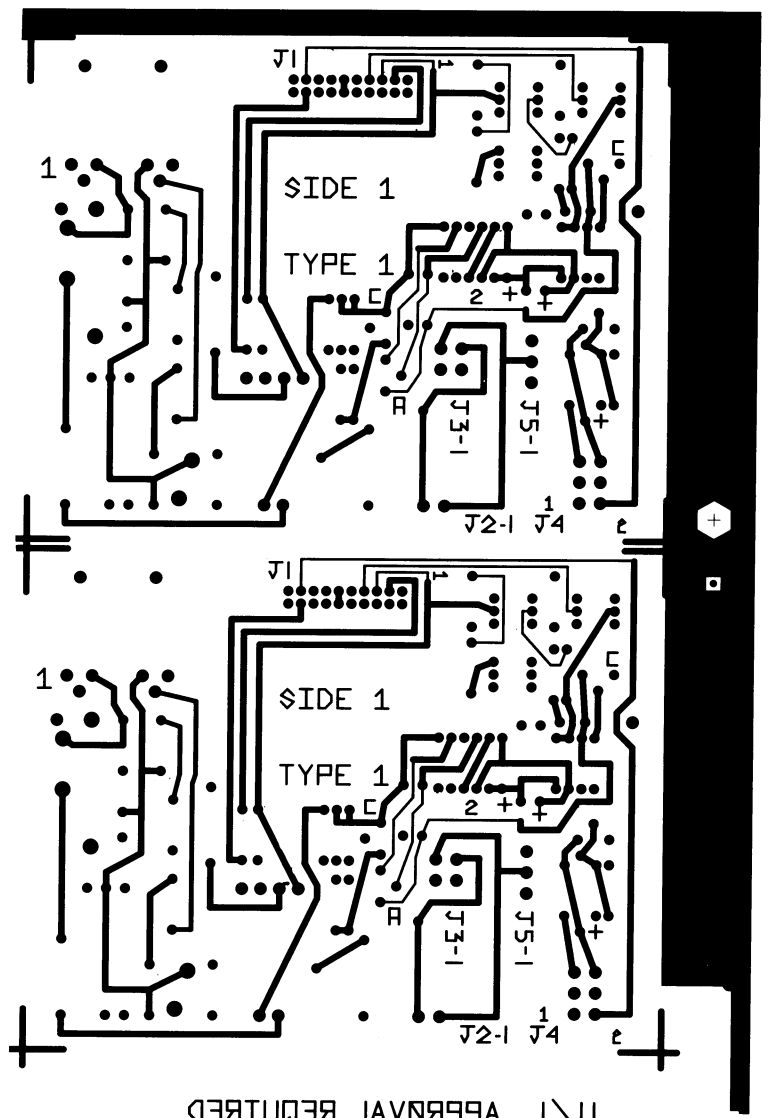
REVISION HISTORY			BASIC PART NO: 5411846			
ENG	ECO NUMBER	REV	SECTION A OF A	DRN: S. MARLOW	DATE: 7-APR-76	D I G I T A L
MZ	5411846-CX005	J	SECTION VARIATION INDEX	CHK'D: P. BURNELL	DATE: 10-JAN-77	TITLE PARTS LIST
			[A] 00			FRONT PANEL
			[B]	DES.ENG: G. REICHENBERG	DATE: 7-MAR-77	
			[C]			DOCUMENT NUMBER
			[D]	RESP.ENG.: G. REICHENBERG	DATE: 7-MAR-77	
			[E]			SIZE CODE NUMBER REV
			[F]			
			[G]	MFG.ENG.: L. KIRK	DATE: 9-MAR-77	K PL 5411846-0-DBF J
			[H]			
			[I]	ASSEMBLY NUMBER:	TOP DOCUMENT NUMBER:	FILE NAME: EDIT #
			[J]	D-UA-5411846-0-0	# B-DD-5411846-0	Z1580J.PLS 3
			[K]			
			[L]			
			[M]			
			[N]			

\*THIS DRAWING AND SPECIFICATIONS HEREIN, ARE THE PROPERTY OF DIGITAL EQUIPMENT CORPORATION AND SHALL NOT BE REPRODUCED OR COPIED OR USED IN WHOLE OR IN PART AS THE BASIS FOR THE MANUFACTURE OR SALE OF ITEMS WITHOUT WRITTEN PERMISSION. COPYRIGHT (C) 1980. DIGITAL EQUIPMENT CORPORATION \*



THIS DRAWING AND SPECIFICATIONS HEREIN ARE THE PROPERTY OF DIGITAL EQUIPMENT CORPORATION, AND SHALL NOT BE REPRODUCED OR COPIED OR USED IN WHOLE OR IN PART AS THE BASIS FOR THE MANUFACTURE OR SALE OF ITEMS WITHOUT WRITTEN PERMISSION. COPYRIGHT © 1971 DIGITAL EQUIPMENT CORPORATION.

5411848-00 2



U \ APPROVAL REQUIRED

VIEWED FROM SIDE

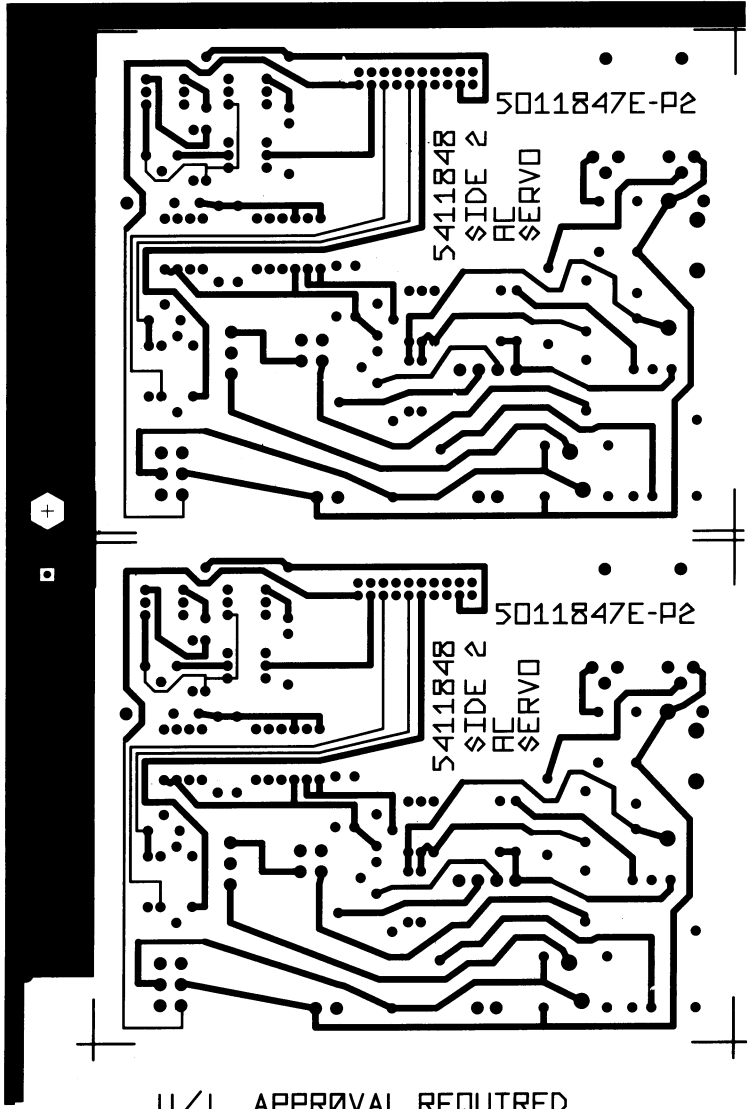
REVISIONS		
CHK	CHANGE NO.	REV.

TITLE	AC SERVO	SIZE CODE	NUMBER	REV.
SCALE	2:1	D	UA 5411848 -0-0	F
SHEET	2	OF	4	DIST

DEC FORM NO. DRD 131

THIS DRAWING AND SPECIFICATIONS HEREIN ARE THE PROPERTY OF DIGITAL EQUIPMENT CORPORATION AND SHALL NOT BE REPRODUCED OR COPIED OR USED IN WHOLE OR IN PART AS THE BASIS FOR THE MANUFACTURE OR SALE OF ITEMS WITHOUT WRITTEN PERMISSION. COPYRIGHT © 1977 DIGITAL EQUIPMENT CORPORATION.

D 5411848-0-0 2



U/L APPROVAL REQUIRED

VIEWED FROM SIDE 2

REVISIONS		
CHK	CHANGE NO.	REV.

TITLE	AC SERVO	SIZE/CODE	D UA	NUMBER	5411848 -0-0	REV.	F
SCALE	2:1	SHEET	5	OF	4	DIST.	



LINE ITEM	DOCUMENT NUMBER	PART NUMBER	DESCRIPTION	QTY PER VARIATION	REFERENCE DESIGNATOR
				00	
1	D-MD-5011847-0-0	5011847-00	ETCH CRKT BRD	1	
2		1011683-00	.022 MFD 50V 10% 2C067 CER.	1	C1
3		1012312-01	.47 MFD 50V XZ	1	C2
4		1013682-00	.1 MFD 500V +80 -20% CER.	2	C3,C4
5		1001776-00	1 MFD 35V 10% S.TANT	2	C5,C7
6		1110856-00	1N 970B VZ= 24.0 5% .40W Y	1	D1
7		1111577-00	1N 4454 TR= 4NS PIV= 50 S	10	D2-D6,D8,D9,D11-D13
8		1105796-00	1N 4004 PIV=400 I= 1A D041 SP	1	D7
9		1510727-01	OPTO COUPLED ISOLATOR	3	E1-E3
10		1213917-00	RLY,REED 5V COIL,DPDT	1	K2
11		1213915-00	RLY,REED, 5V COIL,SPDT	1	K1
12		1110997-00	VP 130A10 VOLT. SUPPRESS.130VAC	1	D10
13		1209941-06	HEADER,100 20POS RT ANGLE	1	J1
14		1213922-00	HEADER 2POS	1	J2
15		1213922-01	HEADER 3POS	1	J5
16		1213922-03	HEADER 4POS	1	J3
17		1213922-04	HEADER 6POS	1	J4
18		1300315-00	470 1/2W 5% CC	2	R14,R21
19		1300271-00	220 1/4W 5% CC	3	R1,R3,R4
20		1311220-00	5.1 1/2W 5% CC	1	R18
21		1301327-00	68 K 1/4W 5% CC	1	R6
22		1302466-00	100 K 1/4W 5% CC	2	R5,R8
23		1300444-00	3.9 K 1/4W 5% CC	1	R20
24		1314516-00	200 K 1/4W 5% CC	2	R7,R23
25		1300496-00	15 K 1/4W 5% CC	1	R10
26		1300479-00	10 K 1/4W 5% CC	2	R11,R24
27		1300482-00	10 K 2W 10% CC	1	R12
28		1312927-00	16 1/4W 5% CC	2	R15,R16
29		1314649-00	430 K 1/4W 5% CC	1	R22

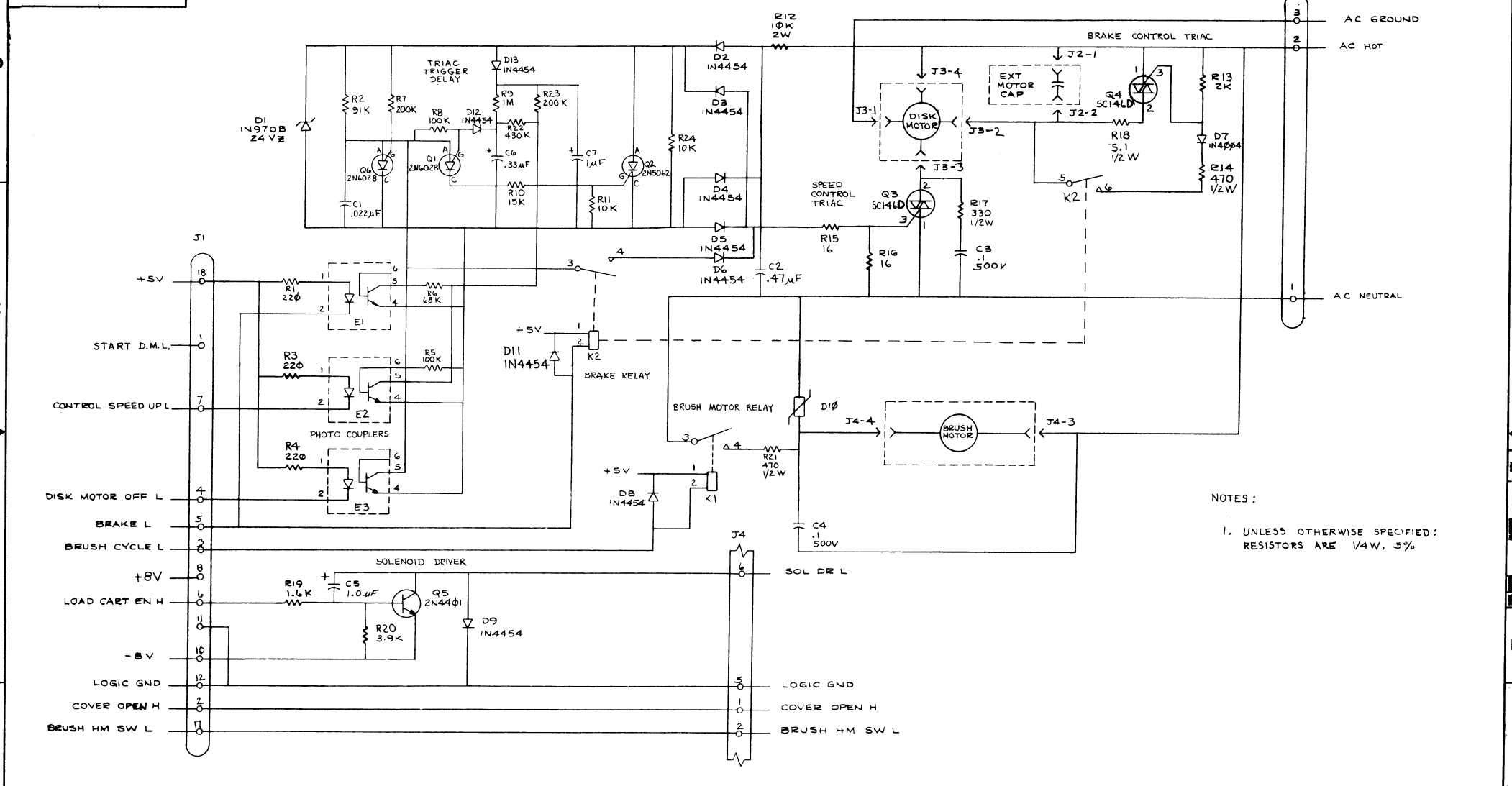
REVISION HISTORY		BASIC PART NO: 5411848		DRN: H. RICHER		DATE: 23 MAR 76		D I G I T A L	
ENG	ECD NUMBER	REV	SECTION A OF A	CHK'D:	P. BURNELL	DATE:	10 JAN 77	TITLE	PARTS LIST
	INITIAL	E	SECTION VARIATION INDEX	CHK'D:	P. BURNELL	DATE:	10 JAN 77	AC SERVO	
MZ	5411848-CZ003	F	[A] 00	DES.ENG:	P. BADUM	DATE:	7 JUN 77		
			[B]						
			[C]						
			[D]						
			[E]						
			[F]	RESP.ENG.:	P. BADUM	DATE:	7 JUN 77	DOCUMENT NUMBER	
			[H]						
			[J]					SIZE CODE NUMBER REV	
			[K]	MFG.ENG.:	D. LESAGE	DATE:	7 JUN 77	K PL 5411848-0-DBP F	
			[L]						
			[M]	ASSEMBLY NUMBER:				FILE NAME: EDIT #	
			[N]	D-UA-5411848-0-0				Z0491.PLS 3	

\*THIS DRAWING AND SPECIFICATIONS HEREIN, ARE THE PROPERTY OF DIGITAL EQUIPMENT CORPORATION AND SHALL NOT BE REPRODUCED OR COPIED OR USED IN WHOLE OR IN PART AS THE BASIS FOR THE MANUFACTURE OR SALE OF ITEMS WITHOUT WRITTEN PERMISSION. COPYRIGHT (C) 1979. DIGITAL EQUIPMENT CORPORATION \*





"THIS DRAWING AND SPECIFICATIONS, HEREIN, ARE THE PROPERTY OF DIGITAL EQUIPMENT CORPORATION AND SHALL NOT BE REPRODUCED OR COPIED OR USED IN WHOLE OR IN PART AS PART OF THE MANUFACTURE OR SALE OF THESE WITHOUT WRITTEN PERMISSION. COPYRIGHT © 1971, DIGITAL EQUIPMENT CORPORATION"

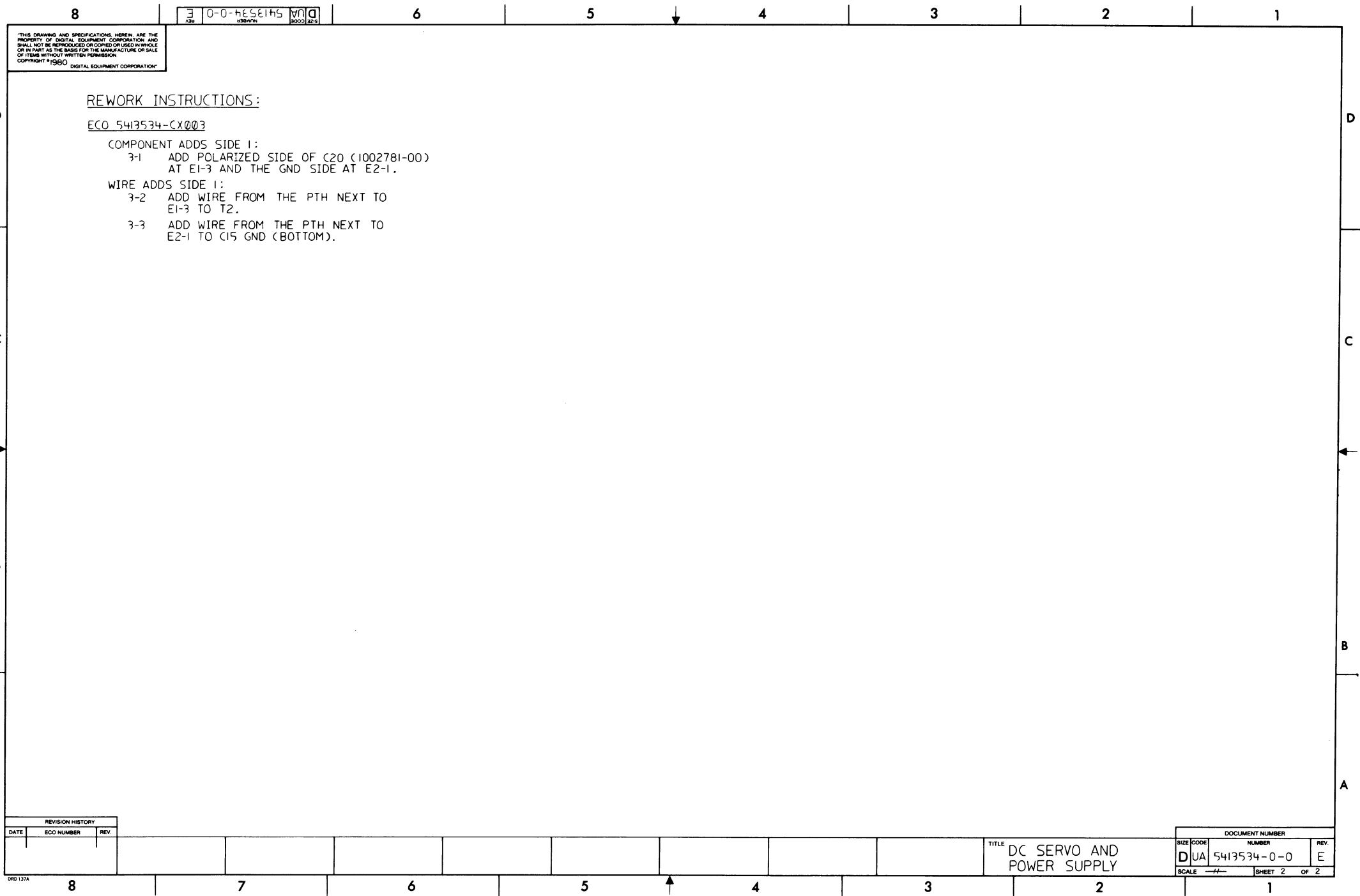


NOTES:  
1. UNLESS OTHERWISE SPECIFIED:  
RESISTORS ARE 1/4W, 5%

REV.	DATE	BY	CHK'D	DESCRIPTION
1				INITIAL DESIGN
2				REVISED FOR PHOTOCOUPLER
3				REVISED FOR PHOTO COUPLERS
4				REVISED FOR PHOTO COUPLERS
5				REVISED FOR PHOTO COUPLERS
6				REVISED FOR PHOTO COUPLERS
7				REVISED FOR PHOTO COUPLERS
8				REVISED FOR PHOTO COUPLERS

DRN. V. 11/17/71	FIRST USED ON	DIGITAL
CHK'D BY R. B. 11/17/71	RLO1	
ENG. BY J. K. 11/17/71	TITLE	AC SERVO
PROJ. ENG. BY J. K. 11/17/71		
PROD. BY J. K. 11/17/71		
NEXT HIGHER ASSY.	SIZE	CODE
D-UA-5411848-0-0	D	CS5411848-0-1
SCALE	NUMBER	REV.
	1	F
SHEET 1 OF 1	DIST.	





THIS DRAWING AND SPECIFICATIONS HEREIN ARE THE PROPERTY OF DIGITAL EQUIPMENT CORPORATION AND SHALL NOT BE REPRODUCED OR COPIED OR USED IN WHOLE OR IN PART AS THE BASIS FOR THE MANUFACTURE OR SALE OF ITEMS WITHOUT WRITTEN PERMISSION. COPYRIGHT © 1980 DIGITAL EQUIPMENT CORPORATION.

REWORK INSTRUCTIONS:

ECO 5413534-CX003

COMPONENT ADDS SIDE 1:

3-1 ADD POLARIZED SIDE OF C20 (1002781-00) AT E1-3 AND THE GND SIDE AT E2-1.

WIRE ADDS SIDE 1:

3-2 ADD WIRE FROM THE PTH NEXT TO E1-3 TO T2.

3-3 ADD WIRE FROM THE PTH NEXT TO E2-1 TO C15 GND (BOTTOM).

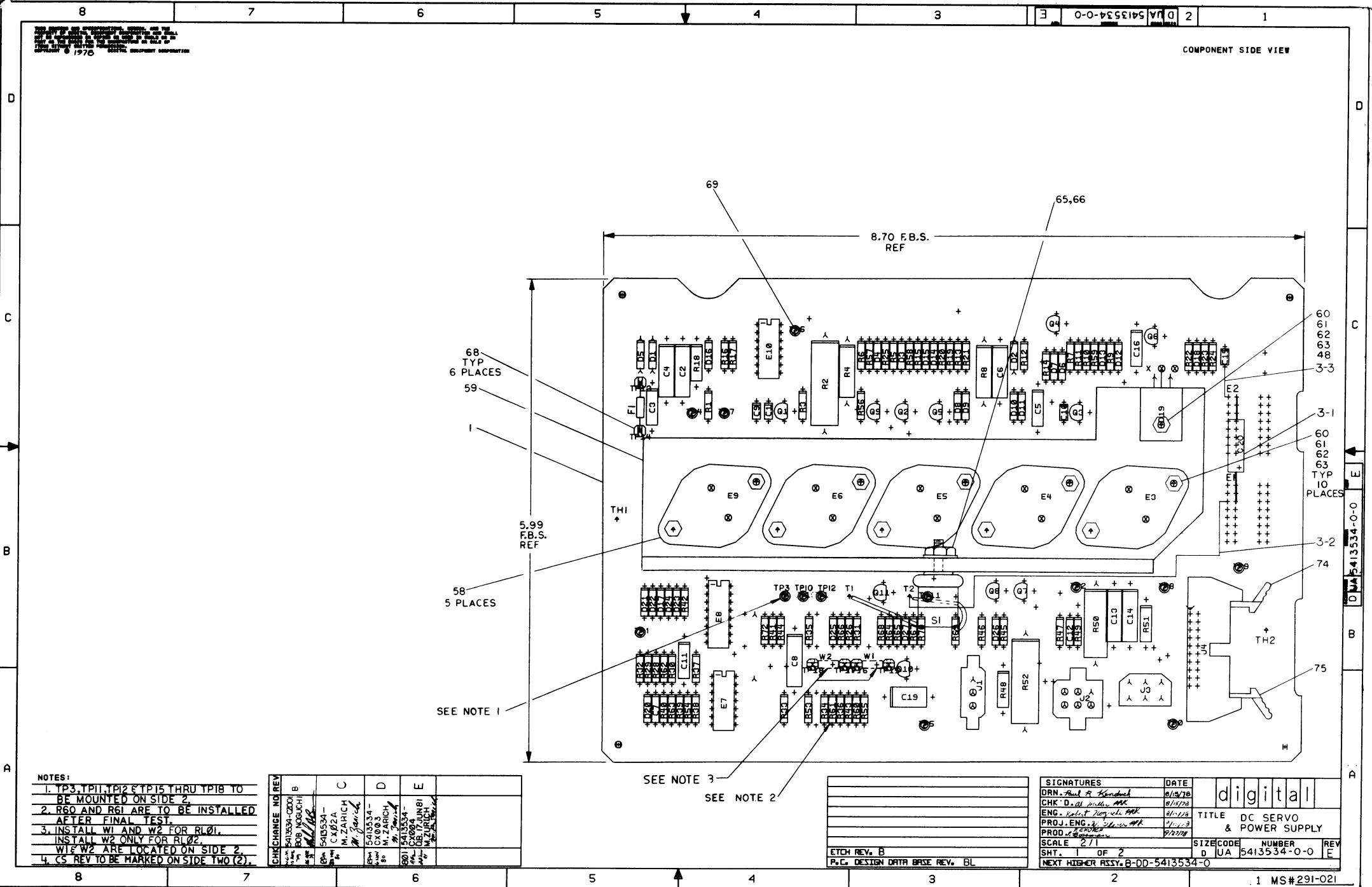
REVISION HISTORY		
DATE	ECO NUMBER	REV.

TITLE DC SERVO AND POWER SUPPLY

DOCUMENT NUMBER		REV.
SIZE CODE	NUMBER	
D	5413534-0-0	E
SCALE	SHEET 2 OF 2	

THIS DRAWING IS THE PROPERTY OF THE UNITED STATES GOVERNMENT. IT IS TO BE REPRODUCED AS SHOWN IN ALL FORMS AND BY ANY MEANS, ELECTRONIC OR MECHANICAL, INCLUDING PHOTOCOPYING, RECORDING, OR BY ANY INFORMATION STORAGE AND RETRIEVAL SYSTEM. THIS DRAWING IS NOT TO BE USED FOR THE DESIGN OF ANY EQUIPMENT OR SYSTEM. © 1975

COMPONENT SIDE VIEW



- NOTES:
1. TP3, TP11, TP12 & TP15 THRU TP18 TO BE MOUNTED ON SIDE 2.
  2. R60 AND R61 ARE TO BE INSTALLED AFTER FINAL TEST.
  3. INSTALL W1 AND W2 FOR RL01. INSTALL W2 ONLY FOR RL02. W1 & W2 ARE LOCATED ON SIDE 2.
  4. CS REV TO BE MARKED ON SIDE TWO (2).

CHANGE NO	REV	A	B	C	D	E
5413534-0001	B					
5413534-0002	B					
5413534-0003	B					
5413534-0004	B					
5413534-0005	B					
5413534-0006	B					
5413534-0007	B					
5413534-0008	B					
5413534-0009	B					
5413534-0010	B					

SEE NOTE 3  
SEE NOTE 2

ETCH REV. B
P.C. DESIGN DATA BRSE REV. BL

SIGNATURES	DATE	digital
DRN. Paul R. Kordach	01/15/78	
CHK. D. J. Miller	01/15/78	
ENG. Robert J. Miller	01/15/78	
PROJ. ENG. J. J. Miller	01/15/78	
PROD. J. J. Miller	01/15/78	
SCALE 2/1	SHT. 1 OF 2	TITLE DC SERVO & POWER SUPPLY
NEXT HIGHER ASSY. B-DD-5413534-0		SIZE CODE NUMBER REV
		D IUA 5413534-0-0 E

. 1 MS#291-021

8 6 5 4 3 2 1

THIS DRAWING AND SPECIFICATIONS HEREIN ARE THE PROPERTY OF DIGITAL EQUIPMENT CORPORATION AND SHALL NOT BE REPRODUCED OR COPIED OR USED IN WHOLE OR IN PART AS THE BASIS FOR THE MANUFACTURE OR SALE OF ITEMS WITHOUT WRITTEN PERMISSION.  
 COPYRIGHT © 1980 DIGITAL EQUIPMENT CORPORATION

ECO\*5413536

COMPONENT DELETES:

- I-1 REMOVE C8
- I-2 REMOVE TP3

COMPONENT ADDS:

- I-3 ADD C8, 100 MMF, 50V, 5%
- I-4 ADD J7, ITEM 74

D  
C  
B  
A

D  
C  
B  
A

REVISION HISTORY		
DATE	ECO NUMBER	REV.

SIZE CODE	DOCUMENT NUMBER	REV.
DUA	5413536-0-0	B
SCALE	---	SHEET 2 OF 2

8 7 6 5 4 3 2 1

DUA 5413536-0-0  
 B

LINE	ITEM	DOCUMENT NUMBER	PART NUMBER	DESCRIPTION	QTY	PER VARIATION	REFERENCE DESIGNATOR
					00		
1	1	D-MD-5013533-0-0	5013533-00	ETCHED CIRCUIT BOARD	1		
2	2		1013466-08	680.0 MMF 50V 10% X7R CER	1		C12
3	3		1016009-00	2200.0 MMF 50V 5% CER	1		C7
4	4		1001610-00	.01 MFD 50V +80-20% Z5U CER	4		C1,C9,C10,C15
5	5		1002630-00	.015 MFD 100V 10% MYLR	1		C8
6	6		1013466-11	.22 MFD 50V +80-20% Z5U CER	4		C3,C5,C11,C16
7	7		1005306-00	*** THIS ITEM IS NOT USED ***	-		
8	8		1000076-00	*** THIS ITEM IS NOT USED ***	-		
9	9		1309422-00	5.10 .25 W 5.0 % CC	1		R58
10	10		1312929-00	62.0 .25 W 5.0 % CC	2		R3,R23
11	11		1311523-00	110.0 .25 W 5.0 % CC	1		R22
12	12		1300247-00	120.0 .25 W 5.0 % CC	1		R13
13	13		1300271-00	220.0 .25 W 5.0 % CC	1		R59
14	14		1301425-00	300.0 .25 W 5.0 % CC	1		R55
15	15		1303178-00	620.0 .25 W 5.0 % CC	1		R6
16	16		1300365-00	1.0 K .25 W 5.0 % CC	5		R1,R7,R39,R44,R57
17	17		1300391-00	1.50 K .25 W 5.0 % CC	1		R5
18	18		1302388-00	2.0 K .25 W 5.0 % CC	2		R31,R43
19	19		1300426-00	2.70 K .25 W 5.0 % CC	2		R46,R47
20	20		1302389-00	4.30 K .25 W 5.0 % CC	1		R53
21	21		1300447-00	4.70 K .25 W 5.0 % CC	10		R10-R12,R14,R15,R19,R20,R24,R49, CONT R68
22	22		1303179-00	8.20 K .25 W 5.0 % CC	3		R9,R16,R17
23	23		1300488-00	12.0 K .25 W 5.0 % CC	4		R25,R26,R45,R56
24	24		1305346-00	27.0 K .25 W 5.0 % CC	1		R21
25	25		1305131-00	*** THIS ITEM IS NOT USED ***	-		
26	26		1312923-00	2.10 K .25 W 1.0 % RN55D-F10	1		R41
27	27		1305114-00	3.48 K .25 W 1.0 % RN55D-F10	1		R34
28	28		1314763-00	4.12 K .25 W 1.0 % RN55D-F10	1		R36
29	29		1303312-00	10.0 K .25 W 1.0 % RN55D-F10	3		R28,R29,R62

REVISION HISTORY		BASIC PART NO: 5413534		DRN:	JERRY BEST	DATE: 26-JUL-78	D I G I T A L			
ENG!	ECO NUMBER	REV	SECTION A OF A	CHK'D:	JERRY BEST	DATE: 26-JUL-78	TITLE PARTS LIST			
---	INIT	A	SECTION VARIATION INDEX	CHK'D:	JERRY BEST	DATE: 26-JUL-78	D.C. SERVO AND POWER SUPPLY			
BN	5413534-CZ001	B	[A] 00	DES.ENG:	R. NOGUCHI	DATE:	DOCUMENT NUMBER			
MZ	5413534-CX003	C	[B]	RESP.ENG.:	R. NOGUCHI	DATE: 26-JUL-78	SIZE	CODE	NUMBER	REV
MZ	5413534-CX004	D	[C]	MFG.ENG.:	P. CHURCH	DATE:	K	PL	5413534-0-DBP	E
SM	5413534-CX05A	E	[D]	ASSEMBLY NUMBER:		TOP DOCUMENT NUMBER:	FILE NAME:		EDIT #	
			[E]	D-UA-5413534-0-0		RL02	Z0494E.PLS		22	
			[F]							
			[G]							
			[H]							
			[J]							
			[K]							
			[L]							
			[M]							
			[N]							

"THIS DRAWING AND SPECIFICATIONS HEREIN, ARE THE PROPERTY OF DIGITAL EQUIPMENT CORPORATION AND SHALL NOT BE REPRODUCED OR COPIED OR USED IN WHOLE OR IN PART AS THE BASIS FOR THE MANUFACTURE OR SALE OF ITEMS WITHOUT WRITTEN PERMISSION. COPYRIGHT (C) 1982. DIGITAL EQUIPMENT CORPORATION "

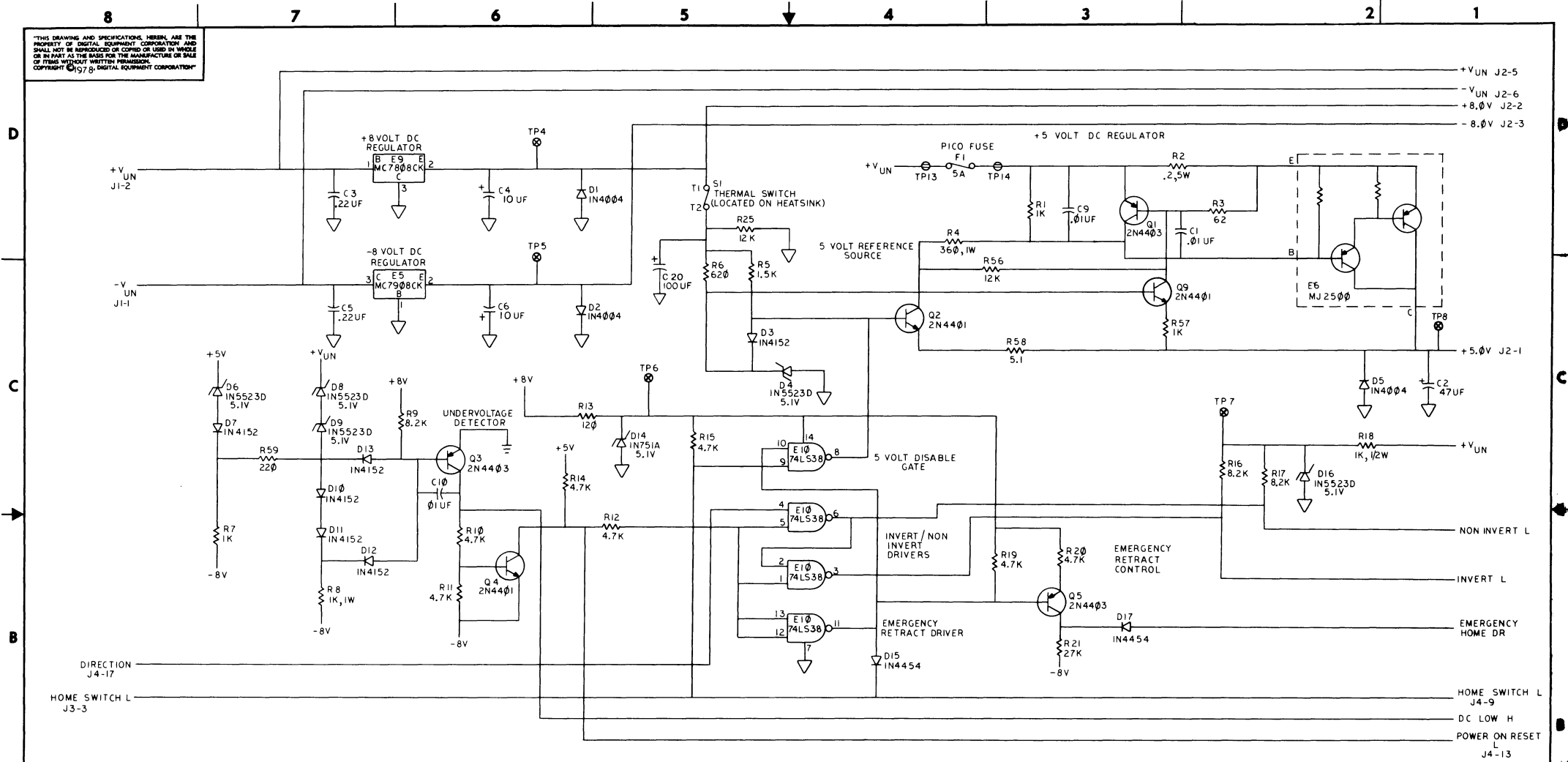
LINE	ITEM	DOCUMENT NUMBER	PART NUMBER	DESCRIPTION	QTY	PER VARIATION	REFERENCE DESIGNATOR
					00		
30	30		1312924-00	10.70 K .25 W 1.0 % RN55D-F10	1		R32
31	31		1309412-00	18.20 K .25 W 1.0 % RN55D-F10	1		R33
32	32		1315436-00	52.30 K .25 W 1.0 % RN55D-F10	1		R54
33	33		1304843-00	243.0 K .25 W 1.0 % RN55D-F10	1		R72
34	34		1315437-00	237.0 K .25 W 1.0 % RN55D-F10	1		R38
35	35		1302378-00	51.0 .50 W 5.0 % CC	1		R51
36	36		1300364-00	1.0 K .50 W 5.0 % CC	2		R18,R48
37	37		1314068-00	360.0 1.0 W 5.0 % CC	1		R4
38	38		1300368-00	1.0 K 1.0 W 5.0 % CC	1		R8
39	39		1301494-00	200.0 2.0 W 5.0 % CC	1		R50
40	40		1313358-00	.20 5.0 W 3.0 % WW	2		R2,R52
41	41		1105796-00	1N 4004 PIV=400 I= 1A D041 SP	3		D1,D2,D5
42	42		1113953-00	1N 5523D VZ= 5.1 1%	8		D4,D6,D8,D9,D16,D18,D21,D22
43	43		1109990-00	1N 757A VZ= 9.1 5% .40W P	2		D23,D24
44	44		1110994-00	1N 751A VZ= 5.1 5% .40W	1		D14
45	45		1114117-00	1N 4152 PIV=40 I=75	6		D3,D7,D10,D11,D12,D13
46	46		1111577-00	1N 4454 TR= 4NS PIV= 50 S	6		D15,D17,D20,D25-D27
47	47		1513698-00	TRIAC@200V,I>14A	1		D19
48	48		9009597-00	INSULATOR, THERMA-FILM	1		
49	49		1513489-00	2N 4401 NPN 350MW SI 40 20	4		Q2,Q4,Q8,Q9
50	50		1513490-00	2N 4403 PNP 350MW SI-40 30	6		Q1,Q3,Q5-Q7,Q11
51	51		1511282-00	MJ2500 PNP 150WC SI 60 5 1K 5A	2		E4,E6
52	52		1511349-00	TIP 640 (OR MJ3000) NPN DARLINGT	1		E3
53	53		1911706-00	5012 ANALOG SWITCH,4CHNL	1		E8
54	54		1912818-00	LS38 NAND BUFFER-QUAD 2IN	1		E10
55	55		1912107-01	324ANOP AMP,QUAD	1		E7
56	56		1913695-00	7808 VOLT REG,FIX +8V	1		E9
57	57		1913694-00	7908 VOLT REG,FIX -8V	1		E5
58	58		9008419-00	WASHER, FLAT, THERMAFILM .002THK	5		
59	59		7418595-00	HEATSINK ASSEMBLY	1		
60	60		9008033-01	SCREW,PAN,PHIL 4-40X 9/16 SS	11		
61	61		9006557-00	NUT,KEP 4-40X 1/4 AF	11		
62	62		9006655-00	WASHER, FLAT, .312 O.D. X .125 I	11		
63	63		9008268-00	COMPOUND, THERMAL JOINT	A/R		
64	64		1210824-00	THERMOSTAT,0@215,C@156,SPST,NORM	1		S1
65	65		9008185-00	NUT,KEP 6-32X 1/4 AF	1		
66	66		9006653-00	WASHER, FLAT, .375 O.D. X .156 I	1		
67	67		1205747-00	FUSE, SUB-MINI, 5.000A, 125V, A	1		F1
68	68		9006735-00	EYELET, FUNNEL FLANGE, .059 OD X	6		TP13-TP18
69	69		9007791-00	TERM PCB 2POS SOLDER,TURRET	13		TP0-TP12
70	70		1213922-01	HEADER 3POS	1		J1
71	71		1213922-04	HEADER 6POS	1		J2
72	72		1213900-00	CONN,RCPT 6POS	1		J3
73	73		1209941-06	HEADER,100 20POS RT ANGLE	1		J4
74	74		1209941-04	HEADER RT ANGLE,RIGHT	1		
75	75		1209941-03	HEADER RT ANGLE LEFT L	1		
76	76		1305324-00	4.99 K .25 W 1.0 % RN55D-F10	2		R37,R30
77	77		1300250-00	150.0 .25 W 5.0 % CC	1		R42

DI	IG	IT	AL	TITLE	D.C. SERVO AND POWER SUPPLY	SECTION A OF A	SIZE	CODE	DOCUMENT NUMBER	REV
							K	PL	5413534-0-DBP	E





THIS DRAWING AND SPECIFICATIONS HEREIN ARE THE PROPERTY OF DIGITAL EQUIPMENT CORPORATION AND SHALL NOT BE REPRODUCED OR COPIED OR USED IN WHOLE OR IN PART AS THE BASIS FOR THE MANUFACTURE OR SALE OF ITEMS WITHOUT WRITTEN PERMISSION. COPYRIGHT © 1970, DIGITAL EQUIPMENT CORPORATION.

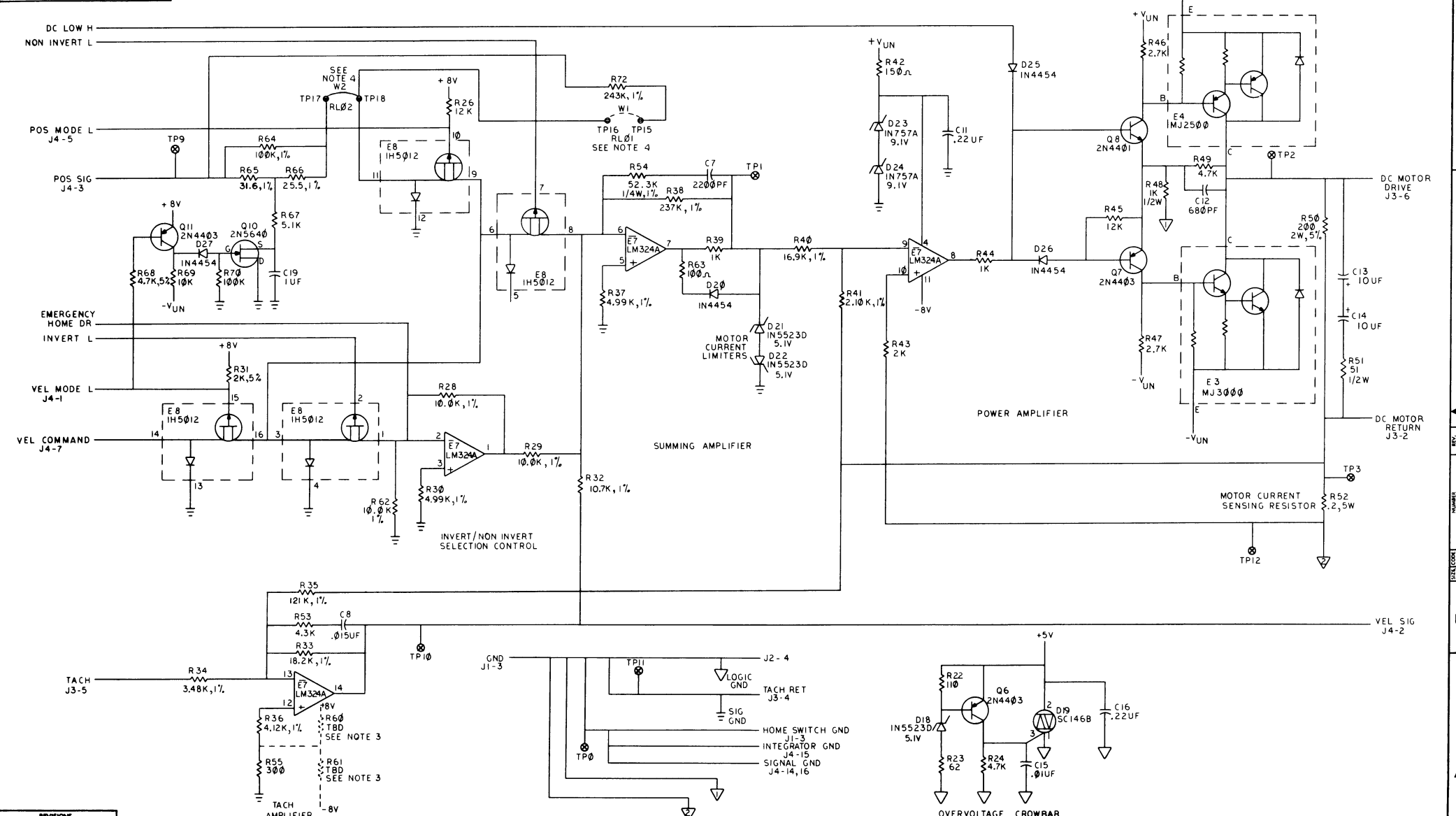


- NOTES:
1. ALL RESISTORS TO BE 1/4W, 5%; UNLESS OTHERWISE SPECIFIED.
  2. ~~E1 AND E2 ARE SPARES.~~
  3. VALUE OF R60 OR R61 WILL BE DETERMINED IN TESTING.
  4. INSTALL W1 AND W2 FOR RL01 ON SIDE 2. INSTALL W2 ONLY FOR RL02 ON SIDE 2.

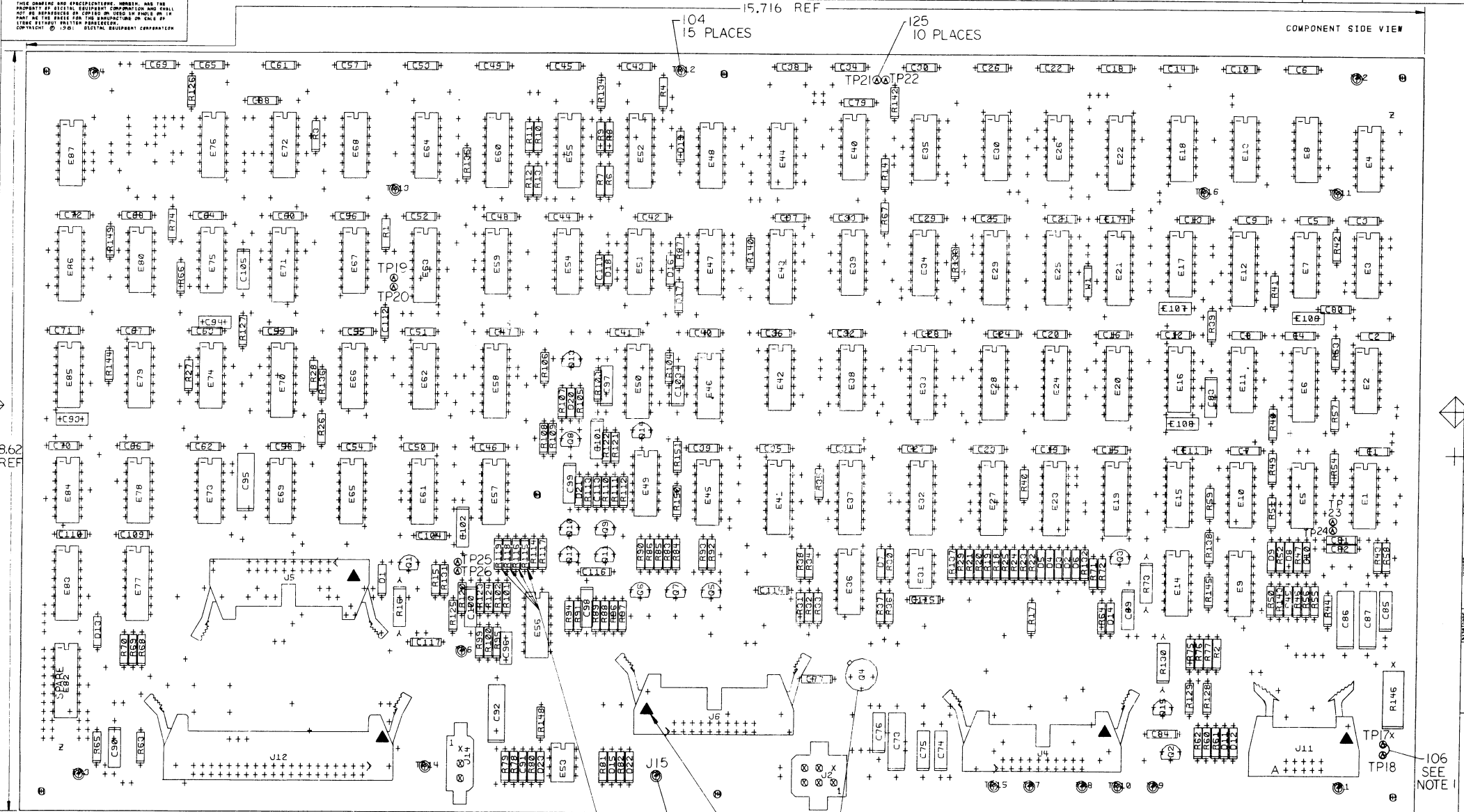
REV.	CHG.	CHANGE NO.	BY	DATE
1	B	5413534-CZ001	BOB NOGUCHI	10/1/70
2	C	5413534-CX02A	M. ZARICH	10/1/70
3	D	5413534-CX003	M. ZARICH	10/1/70
4	E	5413534-CZ004	M. ZARICH	10/1/70

DESCRIPTION		DWG./PART NO.	ITEM NO.
UNLESS OTHERWISE SPECIFIED DIMENSIONS ARE IN INCHES			
ANGLES	CLASS OF ACCURACY	NOMINAL DIMENSION RANGE INCHES	
10° 30'	AS CHECKED	OVER 0	OVER 12.0
SURFACE QUALITY	IN	OVER 12.0	OVER 48.0
MEDIUM	PREFERRED	±.004	±.008
MICROINCHES		±.012	±.025
QUANTITY	VARIATION	±.004	±.008
DRN: P. Michael		FIRST USED ON	
CHK'D: [Signature]	ENG. [Signature]	TITLE	
PROJ. ENG. [Signature]	PROD. [Signature]	DC SERVO AND POWER SUPPLY	
DO NOT SCALE DWG		NEXT HIGHER ASSY.	
MATERIAL	D-UA-5413534-0-0	SIZE	CODE
SCALE		NUMBER	REV.
SHEET	1 OF 2	DIST.	E

"THIS DRAWING AND SPECIFICATIONS, HEREIN, ARE THE PROPERTY OF DIGITAL EQUIPMENT CORPORATION AND SHALL NOT BE REPRODUCED OR COPIED OR USED IN WHOLE OR IN PART AS THE BASIS FOR THE MANUFACTURE OR SALE OF ITEMS WITHOUT WRITTEN PERMISSION. COPYRIGHT © 1978 DIGITAL EQUIPMENT CORPORATION"



REVISIONS		
CHK	CHANGE NO.	REV.



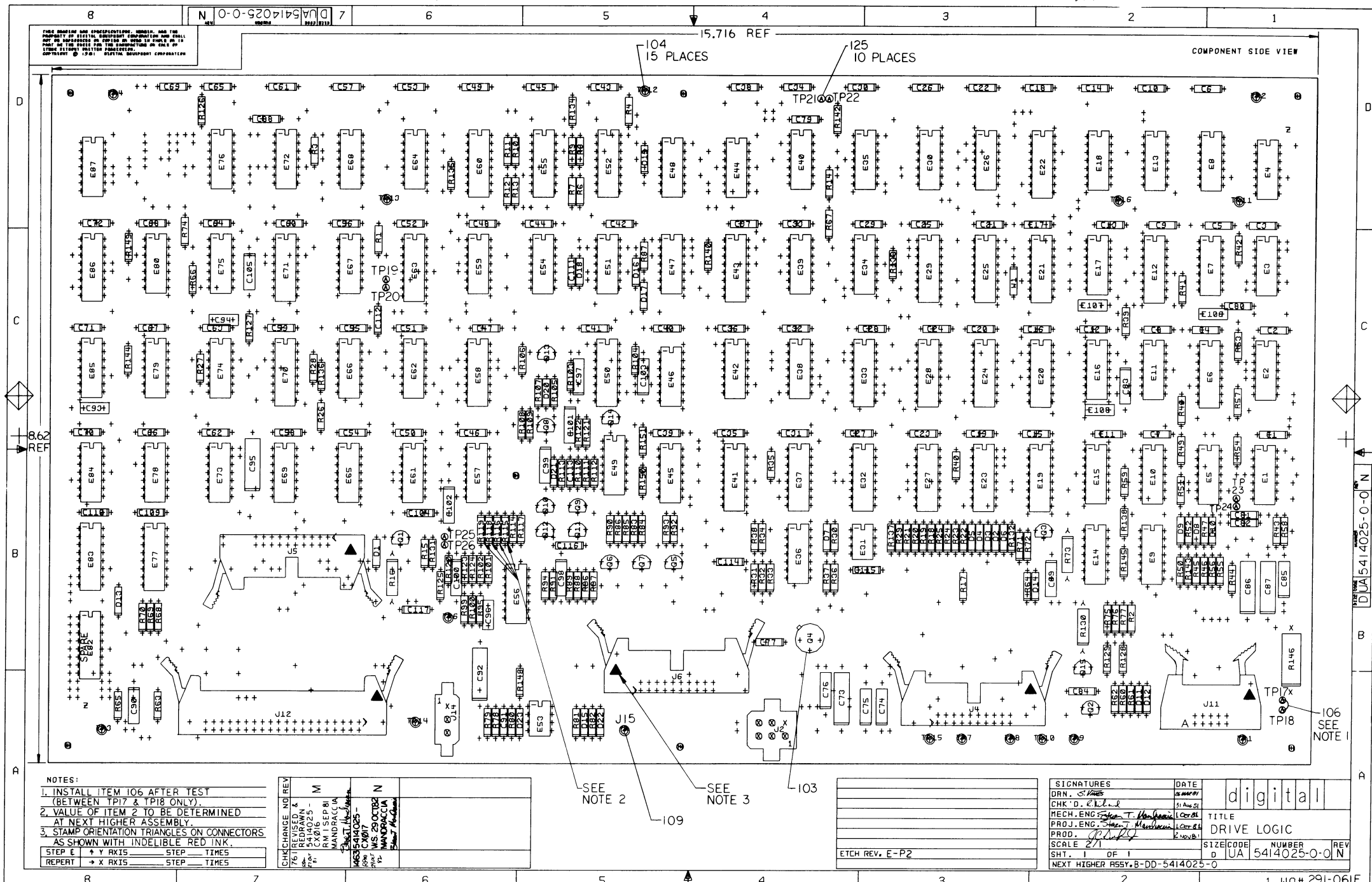
CHANGE NO. REV. 761 REVISION & REDRAWN 5/14/025 - M  
 BY: RW LEPRI  
 MANDRACCA  
 DATE: 5/14/02

SEE NOTE 2  
 SEE NOTE 3  
 103  
 109

ETCH REV. E-P2

SIGNATURES		DATE	digital
DRN: <i>S. T. [Signature]</i>	CHK: <i>D. [Signature]</i>	5/14/02	
MECH. ENG: <i>[Signature]</i>			TITLE
PROJ. ENG: <i>[Signature]</i>			DRIVE LOGIC
SCALE: 2/1	SHT. 1 OF 1	SIZE CODE	NUMBER
NEXT HIGHER ASSY: B-DD-5414025-0		UA	5414025-0-0 M

THIS DRAWING AND SPECIFICATIONS, WHETHER THE PROPERTY OF DIGITAL EQUIPMENT CORPORATION AND SHALL NOT BE REPRODUCED OR COPIED IN ANY MANNER WITHOUT THE WRITTEN PERMISSION OF DIGITAL EQUIPMENT CORPORATION.



THIS DRAWING AND SPECIFICATIONS, WHETHER MADE BY OR FOR THE PROPRIETOR OF A DESIGN, OR BY AN INDEPENDENT CONTRACTOR, ARE THE PROPERTY OF THE PROPRIETOR AND SHALL REMAIN CONFIDENTIAL. NO PART OF THIS DRAWING OR THE INFORMATION CONTAINED HEREIN IS TO BE REPRODUCED OR TRANSMITTED IN ANY FORM OR BY ANY MEANS, ELECTRONIC OR MECHANICAL, INCLUDING PHOTOCOPYING, RECORDING, OR BY ANY INFORMATION STORAGE AND RETRIEVAL SYSTEM. © 1991 DIGITAL EQUIPMENT CORPORATION

NOTES:  
 1. INSTALL ITEM 106 AFTER TEST (BETWEEN TP17 & TP18 ONLY).  
 2. VALUE OF ITEM 2 TO BE DETERMINED AT NEXT HIGHER ASSEMBLY.  
 3. STAMP ORIENTATION TRIANGLES ON CONNECTORS AS SHOWN WITH INDELEBIL RED INK.

STEP E	→ Y AXIS	STEP	TIMES
REPEAT	→ X AXIS	STEP	TIMES

CHK/CHANGE NO	REV	
761	REVISED & REDRAWN	M
762	REVISED	M
763	REVISED	M
764	REVISED	M
765	REVISED	M
766	REVISED	M
767	REVISED	M
768	REVISED	M
769	REVISED	M
770	REVISED	M
771	REVISED	M
772	REVISED	M
773	REVISED	M
774	REVISED	M
775	REVISED	M
776	REVISED	M
777	REVISED	M
778	REVISED	M
779	REVISED	M
780	REVISED	M
781	REVISED	M
782	REVISED	M
783	REVISED	M
784	REVISED	M
785	REVISED	M
786	REVISED	M
787	REVISED	M
788	REVISED	M
789	REVISED	M
790	REVISED	M
791	REVISED	M
792	REVISED	M
793	REVISED	M
794	REVISED	M
795	REVISED	M
796	REVISED	M
797	REVISED	M
798	REVISED	M
799	REVISED	M
800	REVISED	M

SEE NOTE 2  
 SEE NOTE 3  
 103  
 109

ETCH REV. E-P2
----------------

SIGNATURES	DATE	digital
DRN. <i>S. Paves</i>	25 MAR 91	
CHK'D. <i>R. L. L.</i>	31 AUG 91	TITLE
MECH. ENG. <i>S. T. M.</i>	02 02	DRIVE LOGIC
PROJ. ENG. <i>S. T. M.</i>	02 02	SIZE/CODE
PROD. <i>S. T. M.</i>	02 02	NUMBER
SCALE 2/1		REV
SHT. 1 OF 1		UA 5414025-0-0 N
NEXT HIGHER ASSY. 8-DD-5414025-0		

LINE	ITEM	DOCUMENT NUMBER	PART NUMBER	DESCRIPTION	QTY PER VARIATION	REFERENCE DESIGNATOR
					00	
1	1	D-MD-5014024-0-0	5014024-00	DRILL AND ETCH BRD	1	
2	2	EWS		RESISTOR,FINAL TEST, 1/4W. 1%	4	R115,R116,R118,R119
3	3		1000023-00	330.0 MMF 100V 5%200PPM MICA	4	C93,C106-C108
4	4		1000024-00	470.0 MMF 100V 5%200PPM MICA	1	C94
5	5		1000064-00	3.9MFD 10V 10% S.TANT	1	C85
6	6		1000076-00	39 MFD 10V 10% S.TANT	1	C86
7	7		1001610-00	.01 MFD 50V +80-20% Z5U CER	79	C1-C6,C8-C39,C40-C45,C47-C49, CONT C51-C53,C55-C68,C70,C71,C77, CONT C79-C82,C84,C88,C104,C113-C117 C92,C97
8	8		1001776-00	1 MFD 35V 10% S.TANT	2	C87
9	9		1004812-00	15 MFD 20V 10% S.TANT	1	C101
10	10		1005784-00	.01 MFD 100V 200V 10% MYL	1	C96
11	11		1010978-32	.047 MFD 50V 10% CER	1	C91
12	12		1013466-07	220.0 MMF 50V 5% CER	1	C89,C90
13	13		1013466-08	680.0 MMF 50V 10% X7R CER	2	C83
14	14		1013466-09	1000.0 MMF 50V 10% X7R CER	1	C98,C103,C105
15	15		1013466-10	3300.0 MMF 50V 5% CER	3	C99,C102
16	16		1013466-11	.22 MFD 50V +80-20% Z5U CER	2	D1,D7-D20,D22,D23
17	17		1111577-00	1N 4454 TR= 4NS FIV= 50 S	17	D21
18	18		1113953-00	1N 5523L VZ= 5.1 1%	1	D2-D6
19	19		1114117-00	1N 4152 PIV=40 I=75	5	
20	20		1209941-02	*** THIS ITEM IS NOT USED ***	-	
21	21		1209941-03	HEADER RT ANGLE LEFT L	1	
22	22		1209941-04	HEADER RT ANGLE,RIGHT	1	
23	23		1209941-05	HEADER,100 10POS RT ANGLE	1	J11
24	24		1209941-06	*** THIS ITEM IS NOT USED ***	-	
25	25		1210385-01	*** THIS ITEM IS NOT USED ***	-	
26	26		1213922-02	HEADER 3POS	1	J14
27	27		1213922-04	HEADER 6POS	1	J2
28	28		1300229-00	100.0 .25 W 5.0 % CC	6	R48-R133-R136,R151

REVISION HISTORY		BASIC PART NO: 5414025		DRN:	ART SIMM	DATE: 18-APR-79	D I G I T A L		
ENG	ECO NUMBER	REV	SECTION A OF A	CHK'D:	P. KENDRICK	DATE: 18-APR-79	TITLE	PARTS LIST	
---	INITIAL	A	SECTION,VARIATION INDEX						
MB	5414025-CX001	B	[A] 00				DRIVE LOGIC		
MB	5414025-CX002	C	[B]						
MZ	5414025-CX003	D	[C]	DES.ENG:	MIKE BROWN	DATE: 18-APR-79			
MB	5414025-CX005	E	[D]						
MB	5414025-CX010A	F	[E]				DOCUMENT NUMBER		
MZ	5414025-CX014	H	[F]	RESP.ENG.:	MIKE BROWN	DATE: 18-APR-79	SIZE	CODE	NUMBER
MB	5414025-CX016	J	[G]						REV
			[H]						
			[I]	MFG.ENG.:	D. LICK	DATE: 18-APR-79	K	PL	5414025-0-DBP
			[J]						J
			[K]	ASSEMBLY NUMBER:		TOP DOCUMENT NUMBER:	FILE NAME:	EDIT #	
			[L]	D-UA-5414025-0-0		# B-DD-5414025-0	Z0496J.PLS	33	
			[M]						
			[N]						

\*THIS DRAWING AND SPECIFICATIONS HEREIN, ARE THE PROPERTY OF DIGITAL EQUIPMENT CORPORATION AND SHALL NOT BE REPRODUCED OR COPIED OR USED IN WHOLE OR IN PART AS THE BASIS FOR THE MANUFACTURE OR SALE OF ITEMS WITHOUT WRITTEN PERMISSION. COPYRIGHT (C) 1981, DIGITAL EQUIPMENT CORPORATION \*

LINE ITEM	DOCUMENT NUMBER	PART NUMBER	DESCRIPTION	QTY	PER VARIATION	REFERENCE DESIGNATOR
				00		
29	29	1300271-00	220.0 .25 W 5.0 % CC	4		R3,R14,R41,R143
30	30	1300315-00	470.0 .50 W 5.0 % CC	3		R16,R73,R130
31	31	1300316-00	470.0 .25 W 5.0 % CC	4		R1,R2,R79,R142
32	32	1300365-00	1.0 K .25 W 5.0 % CC	15		R15,R39,R40,R42,R47,R52,R54,R56, R61,R72,R74,R101,R106,R129,R140
33	33	1300411-00	2.0 K .25 W 1.0 % RN55D-F10	1	CONT	R144
34	34	1300439-00	3.30 K .25 W 5.0 % CC	3		R93,R124,R126
35	35	1300447-00	4.70 K .25 W 5.0 % CC	36		R4,R6-R13,R26-R28,R34,R35,R38, CONT R43,R44,R49,R53,R57,R58,R75-R78, CONT R80,R82,R92,R102,R105,R123,R125, CONT R127,R138,R145,R148
36	36	1300479-00	10.0 K .25 W 5.0 % CC	3		R17,R70,R107
37	37	1302388-00	2.0 K .25 W 5.0 % CC	14		R18-R21,R45,R50,R66,R67,R71,R87, CONT R122,R128,R131,R149
38	38	1302391-00	20.0 K .25 W 5.0 % CC	1		R59
39	39	1302394-00	30.0 K .25 W 5.0 % CC	1		R95
40	40	1302398-00	470.0 K .25 W 5.0 % CC	1		R55
41	41	1302466-00	100.0 K .25 W 5.0 % CC	1		R121
42	42	1302514-00	39.0 K .25 W 5.0 % CC	1		R91
43	43	1302666-00	10.0 M .25 W 5.0 % CC	1		R94
44	44	1302871-00	1.21 K .25 W 1.0 % RN55D-F10	1		R88
45	45	1303044-00	100.0 K .25 W 1.0 % RN55D-F10	1		R25
46	46	1303047-00	464.0 .25 W 1.0 % RN55D-F10	5		R64,R65,R83,R85,R113
47	47	1303114-00	1.0 K .25 W 1.0 % RN55D-F10	2		R89,R150
48	48	1303312-00	10.0 K .25 W 1.0 % RN55D-F10	6		R29,R30,R31,R36,R60,R63
49	49	1304693-00	*** THIS ITEM IS NOT USED ***	-		
50	50	1304841-00	75.0 K .25 W 5.0 % CC	1		R81
51	51	1304862-00	*** THIS ITEM IS NOT USED ***	-		
52	52	1304870-00	6.81 K .25 W 1.0 % RN55D-F10	1		R33
53	53	1305124-00	287.0 .25 W 1.0 % RN55D-F10	2		R84,R86
54	54	1305265-00	39.20 K .25 W 1.0 % RN55D-F10	1		R24
55	55	1305337-00	3.65 K .25 W 1.0 % RN55D-F10	2		R96,R99
56	56	1305405-00	24.90 K .25 W 1.0 % RN55D-F10	1		R23
57	57	1309595-00	1.0 M .25 W 5.0 % CC	3		R46,R51,R132
58	58	1310632-00	2.37 K .25 W 1.0 % RN55D-F10	2		R109,R110
59	59	1317303-00	301.0 .25 W 1.0 % RN55D-F10	2		R97,R100
60	60	1312929-00	*** THIS ITEM IS NOT USED ***	-		
61	61	1312930-00	5.10 K .25 W 5.0 % CC	3		R68,R69,R137
62	62	1312989-00	17.80 K .25 W 1.0 % RN55D-F10	3		R22,R103,R104
63	63	1313589-00	1.40 K .25 W 1.0 % RN55D-F10	1		R90
64	64	1313846-00	2.26 K .25 W 1.0 % RN55D-F10	1		R32
65	65	1314041-00	3.01 K .25 W 1.0 % RN55D-F10	1		R37
66	66	1314491-00	*** THIS ITEM IS NOT USED ***	-		
67	67	1513489-00	2N 4401 NPN 350MW SI 40 20	3		Q7,Q10,Q12
68	68	1513490-00	2N 4403 PNP 350MW SI-40 30	10		Q1-Q3,Q5,Q6,Q8,Q9,Q11,Q13,Q15
69	69	1513697-00	2N 5640 FET N CHNNL	1		Q14
70	70	1909928-00	7416 INVERTER GATE-HEX 1I	4		E9,E10,E68,E85
71	71	1910046-00	7442 DECODER-1 OF 10,BCD	1		ES5

D	I	G	I	T	A	L	TITLE	DRIVE LOGIC	SECTION A	OF A	SIZE	CODE	DOCUMENT NUMBER	REV
											K	PL	5414025-0-DBP	J

LINE ITEM	DOCUMENT NUMBER	PART NUMBER	DESCRIPTION	QTY PER VARIATION 00	REFERENCE DESIGNATOR
72	72	1910268-00	DEC 75107B RECEIVER,LINE,DUAL,	4	E57,E61,E65,E87
73	73	1910298-00	741 OP AMP GEN PURP. COM	1	E31
74	74	1910363-00	7496 SHIFT REG.,5BIT	1	E63
75	75	1910536-00	74S10 NAND GATE-TRIPLE 3IN	1	E45
76	76	1910655-00	74157 MUX 2 TO 1 QUAD	2	E23,E24
77	77	1911341-00	75113 DRIVER,LINE,DUAL,MA	3	E77,E83,E86
78	78	1912107-01	324ANOP AMP,QUAD	1	E49
79	79	1912108-00	339 VOLT CMPRTR,QUAD	3	E5,E36,E56
80	80	1912541-00	79M05 VOLT REG,FIX -5V	1	Q4
81	81	1912697-00	LS174 FF-D HEX W/CLEAR	2	E37,E41
82	82	1912799-00	LS00 NAND-GATE-QUAD 2IN,P	4	E7,E15,E44,E67
83	83	1912801-00	LS02 NOR-GATE-QUAD 2IN	4	E1,E30,E39,E54
84	84	1912803-00	74LS04 INVERTER GATE,HEX	2	E79,E80
85	85	1912805-00	LS08 AND GATE-QUAD 2IN,PO	6	E14,E34,E38,E69,E72,E76
86	86	1912807-00	LS10 NAND GATE-TRIPLE 3IN	1	E18
87	87	1912810-00	LS20 NAND GATE-DUAL 4IN	1	E2
88	88	1912813-00	LS27 NOR GATE-TRIPLE 3IN	1	E73
89	89	1912816-00	LS32 OR GATE-QUAD 2IN,POS	4	E17,E35,E59,E84
90	90	1912824-00	LS74 FF-D DUAL,EDGE TRIGG	8	E3,E11,E16,E26,E42,E46,E62,E75
91	91	1912829-00	LS86 X-OR GATE-QUAD 2IN	3	E51,E66,E78
92	92	1912837-00	LS123 ONE SHOT-DUAL,RETRIG	1	E50
93	93	1912854-00	LS193 COUNTER,SYNCHR,4BIT,	3	E27,E28,E43
94	94	1912855-00	LS195 SHIFT REG.,4BIT PARA	5	E19-E22,E25
95	95	1912857-00	LS197 COUNTER,BINARY,PRESET	4	E4,E8,E13,E74
96	96	1912864-00	LS279 LATCH,QUAD-S-R	6	E6,E12,E29,E33,E58,E71
97	97	1913414-00	LS14 INVERTER GATE-HEX SC	2	E40,E48
98	98	1914156-00	LM 393 VOLT.COMPARATOR DUAL	1	E53
99	99	23368A2-00	A2-02,A2-04	1	E52
100	100	23371A2-00	A2-02,A2-04	1	E60
101	101	23444A2-00	A2-02,A2-04	1	E70
102	102	23445A2-00	A2-02,A2-04	1	E32
103	103	9007201-00	TRANSIPADS #10253	1	
104	104	9007791-00	TERM PCB 2POS SOLDER,TURRET	15	TP1-TP4,TP6-TP16
105	105	9009185-00	JUMPER, WIRE, INSULATED, BLACK B	1	W1
106	106	9105740-55	WIRE(WRAP)30AWG UL1423	A/R	
107	107	1012784-00	.047 MFD 50V +80-20% CER	10	C7,C46,C50,C54,C69,C72,C109, C110,C111,C112
108	108	1911324-00	7414 INVERTER,HEX 1IN SCH	1	E64
109	109	1217377-00	TERM,TAB .205TAB CRIMP	1	J15
110	110	1005334-00	*** THIS ITEM IS NOT USED ***	-	
111	111	1305608-00	*** THIS ITEM IS NOT USED ***	-	
112	112	1303067-00	422.0 .25 W 1.0 % RN55D-F10	1	R108
113	113	1311465-00	43.0 .25 W 5.0 % CC	2	R111,R112
114	114	1018440-00	4700.0 MMF 50V 1% CER	1	C100
115	115	1016549-00	47 MFD 10V +50-10% AL EL	2	C73,C95
116	116	1017472-00	10 MFD 35V +50-10% AL EL	3	C74,C75,C76
117	117	1300309-00	390.0 .25 W 5.0 % CC	1	R62
118	118	1305126-00	619.0 .25 W 1.0 % RN55D-F10	1	R114

D	I	G	I	T	A	L	TITLE	SECTION	OF	A	SIZE	CODE	DOCUMENT NUMBER	REV
							DRIVE LOGIC	A			K	FL	5414025-0-DBP	J





AUTOMATED BY PRTLST.3H(20)

PARTS LIST

SHEET A1 OF A4

LINE	ITEM	DOCUMENT NUMBER	PART NUMBER	DESCRIPTION	QTY	PER VARIATION	REFERENCE DESIGNATOR
1	1	D-MD-5014024-0-0	5014024-00	DRILL AND ETCH BRD	1		
2	2	FWS		RESISTOR, FINAL TEST, 1/4W, 1%	4		R115, R116, R118, R119
3	3		1000023-00	330.0 MMF 100V 5%200PPM MICA	4		C93, C106-C108
4	4		1000024-00	470.0 MMF 100V 5%200PPM MICA	1		C94
5	5		1000064-00	3.9MFD 10V 10% S.TANT	1		C85
6	6		1000076-00	39 MFD 10V 10% S.TANT	1		C86
7	7		1001610-00	.01 MFD 50V +80-20% Z5U CER	79		C1-C6, C8-C39, C40-C45, C47-C49, CONT C51-C53, C55-C68, C70, C71, C77, CONT C79-C82, C84, C88, C104, C113-C117, C92, C97
8	8		1001776-00	1 MFD 35V 10% S.TANT	2		C87
9	9		1004812-00	15 MFD 20V 10% S.TANT	1		C101
10	10		1013466-16	.010 MFD 50V 10% X7R CER	1		C96
11	11		1010978-32	.047 MFD 50V 10% CER	1		C91
12	12		1013466-07	220.0 MMF 50V 5% CER	1		C89, C90
13	13		1013466-08	680.0 MMF 50V 10% X7R CER	2		C83
14	14		1013466-09	1000.0 MMF 50V 10% X7R CER	1		C98, C103, C105
15	15		1013466-10	3300.0 MMF 50V 5% CER	3		C99, C102
16	16		1013466-11	.22 MFD 50V +80-20% Z5U CER	2		D1, D7-D20, D22, D23
17	17		1111577-00	1N 4454 TR= 4NS PIV= 50 S	17		D21
18	18		1113953-00	1N 5523D VZ= 5.1 1%	1		D2-D6
19	19		1114117-00	1N 4152 PIV=40 I=75	5		
20	20		1209941-02	*** THIS ITEM IS NOT USED ***	-		
21	21		1209941-03	PCB, HEADER LATCH	1		
22	22		1209941-04	PCB, HEADER LATCH	1		
23	23		1209941-05	PCB, HEADER 10PIN(2X10).100CC 90D	1		J11
24	24		1209941-06	*** THIS ITEM IS NOT USED ***	-		
25	25		1210385-01	*** THIS ITEM IS NOT USED ***	-		
26	26		1213922-02	CONN, P+S 03POS(1X03).165CC	1		J14
27	27		1213922-04	CONN, P+S 06POS(2X03).165CC	1		J2
28	28		1300229-00	100.0 .25 W 5.0 % CF	6		R48, R133-R136, R151

REVISION HISTORY			BASIC PART NO: 5414025							
ENG	ECO NUMBER	REV	SECTION A OF A	DRN:	ART SIMM	DATE: 18-APR-79	DIGITAL			
INITIAL		A	SECTION VARIATION INDEX	CHK'D:	P. KENDRICK	DATE: 18-APR-79	TITLE PARTS LIST			
MB	5414025-CX001	B	CAJ 00				DRIVE LOGIC			
MB	5414025-CX002	C	CBJ							
MZ	5414025-CX003	D	CCJ	DES. ENG:	MIKE BROWN	DATE: 18-APR-79				
MB	5414025-CX005	E	CDJ							
MB	5414025-CX010A	F	CEJ	RESP. ENG.:	MIKE BROWN	DATE: 18-APR-79	DOCUMENT NUMBER			
MZ	5414025-CX014	H	CFJ							
SM	5414025-CX016	J	CHJ				SIZE	CODE	NUMBER	REV
MB	5414025-CX017	K	CJJ	MFG. ENG.:	D. LICK	DATE: 18-APR-79	K	PL	5414025-0-DBP	K
			CKJ							
			CLJ							
			CMJ	ASSEMBLY NUMBER:		TOP DOCUMENT NUMBER:	FILE NAME:		EDIT #	
			CNJ	ID-UA-5414025-0-0		# B-DD-5414025-0	Z0496K.PLS		34	

29 OCT 82

"THIS DRAWING AND SPECIFICATIONS HEREIN, ARE THE PROPERTY OF DIGITAL EQUIPMENT CORPORATION AND SHALL NOT BE REPRODUCED OR COPIED OR USED IN WHOLE OR IN PART AS THE BASIS FOR THE MANUFACTURE OR SALE OF ITEMS WITHOUT WRITTEN PERMISSION. COPYRIGHT (C) 1982. DIGITAL EQUIPMENT CORPORATION"



LINE ITEM	DOCUMENT NUMBER	PART NUMBER	DESCRIPTION	QTY PER VARIATION	REFERENCE DESIGNATOR
				00	
72	72	1910268-00	DEC 751078 RECEIVER,LINE,DUAL,	4	E57,E61,E65,E87
73	73	1910298-00	741 OP AMP GEN PURP. COM	1	E31
74	74	1910363-00	7496 SHIFT REG.,5BIT	1	E63
75	75	1910536-00	74S10 NAND GATE-TRIPLE 3IN	1	E45
76	76	1910655-00	74157 MUX 2 TO 1 QUAD	2	E23,E24
77	77	1911341-00	75113 DRIVER,LINE,DUAL,MA	3	E77,E83,E86
78	78	1912107-01	324ANOP AMP,QUAD	1	E49
79	79	1912108-00	339 VOLT CMPRTR,QUAD	3	E5,E36,E56
80	80	1912541-00	79M05 VOLT REG,FIX -5V	1	Q4
81	81	1912697-00	LS174 FF-D HEX W/CLEAR	2	E37,E41
82	82	1912799-00	LS00 NAND-GATE-QUAD 2IN,P	4	E7,E15,E44,E67
83	83	1912801-00	LS02 NOR-GATE-QUAD 2IN	4	E1,E30,E39,E54
84	84	1912803-00	LS04 INVERTER GATE,HEX	2	E79,E80
85	85	1912805-00	LS08 AND GATE-QUAD 2IN,PO	6	E13,E34,E38,E69,E72,E76
86	86	1912807-00	LS10 NAND GATE-TRIPLE 3IN	1	E18
87	87	1912810-00	LS20 NAND GATE-DUAL 4IN	1	E2
88	88	1912813-00	LS27 NOR GATE-TRIPLE 3IN	1	E73
89	89	1912816-00	LS32 OR GATE-QUAD 2IN,POS	4	E17,E35,E59,E84
90	90	1912824-00	LS74 FF-D DUAL,EDGE TRIGG	8	E3,E11,E16,E26,E42,E46,E62,E75
91	91	1912829-00	LS86 X-OR GATE-QUAD 2IN	3	E51,E66,E78
92	92	1912837-00	LS123 ONE SHOT-DUAL,RETRIG	1	E50
93	93	1912854-00	LS193 COUNTER,SYNCHR,4BIT,	3	E27,E28,E43
94	94	1912855-00	LS195 SHIFT REG.,4BIT PARA	5	E19-E22,E25
95	95	1912857-00	LS197 COUNTER,BINARY,PRESET	4	E4,E8,E13,E74
96	96	1912864-00	LS279 LATCH,QUAD-S-R	6	E6,E12,E29,E33,E58,E71
97	97	1913414-00	LS14 INVERTER GATE-HEX SC	2	E40,E48
98	98	1914156-00	LM 393 VOLT-COMPARATOR DUAL	1	E53
99	99	23368A2-00	A2-02,A2-04	1	E52
100	100	23371A2-00	A2-02,A2-04	1	E60
101	101	23444A2-00	A2-02,A2-04	1	E70
102	102	23445A2-00	A2-02,A2-04	1	E32
103	103	9007201-00	PAD,MOUNTING,COMPONENT	1	
104	104	9007791-00	TERM PCB 2POS SOLDER,TURRET	15	TP1-TP4,TP6-TP16
105	105	9009185-00	JUMPER, WIRE, INSULATED, BLACK B	1	W1
106	106	9105740-55	WIRE(WRAP) 30AWG KYNAR UL14	A/R	
107	107	1012784-00	.047 MFD 50V +80-20% CER	10	C7,C46,C50,C54,C69,C72,C109, CONT C110,C111,C112
108	108	1911324-00	7414 INVERTER,HEX 1IN SCH	1	E64
109	109	1217377-00	TERM,TAB .205TAB CRIMP	1	J15
110	110	1005334-00	*** THIS ITEM IS NOT USED ***	-	
111	111	1305608-00	*** THIS ITEM IS NOT USED ***	-	
112	112	1303067-00	422.0 .25 W 1.0 % RN55D-F10	1	R108
113	113	1311465-00	43.0 .25 W 5.0 % CF	2	R111,R112
114	114	1018440-00	4700.0 MMF 50V 1% CER	1	C100
115	115	1016549-00	47 MFD 10V +50-10% AL EL	2	C73,C95
116	116	1017472-00	10 MFD 35V +50-10% AL EL	3	C74,C75,C76
117	117	1300309-00	390.0 .25 W 5.0 % CF	1	R62
118	118	1305126-00	619.0 .25 W 1.0 % RN55D-F10	1	R114

ID	SIZE	CODE	DOCUMENT NUMBER	REV
			5414025-0-DBP	K

AUTOMATED BY PRTLST.3H(20)

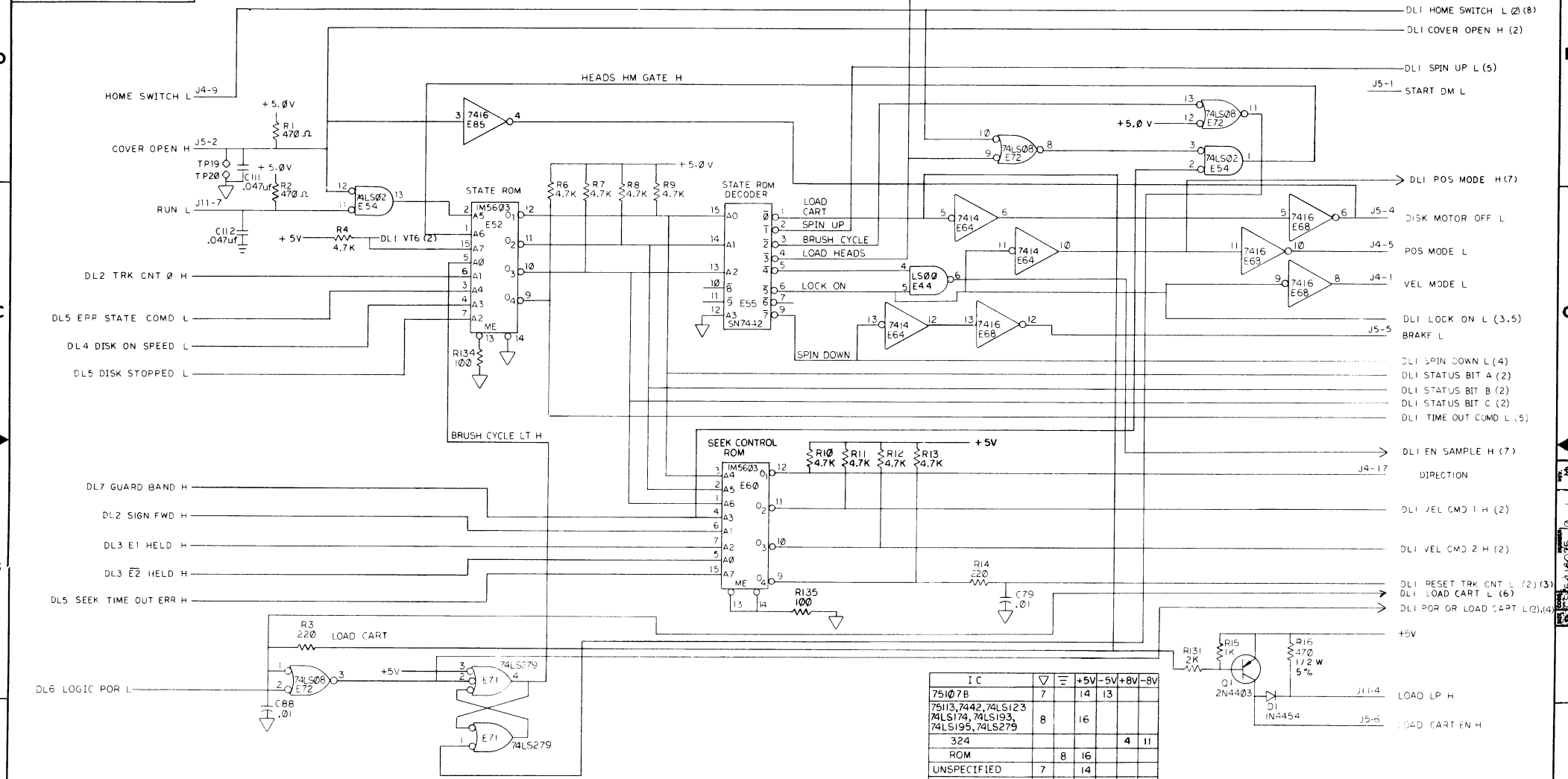
P A R T S L I S T

SHEET A4 OF A4

LINE	ITEM	DOCUMENT NUMBER	PART NUMBER	DESCRIPTION	QTY PER VARIATION 00	REFERENCE DESIGNATOR
119	119		1309417-00	27.40 K .25 W 1.0 % RN55D-F10	1	R120
120	120		1313155-00	604.0 .25 W 1.0 % RN55D-F10	1	R117
121	121		1910544-00	74S74 FF-D DUAL,EDGE TRIGG	1	E47
122	122		1216832-02	PCB,HEADER 40POS(2X20).100CC 90D	1	J12
123	123		1216832-00	PCB,HEADER 20POS(2X10).100CC 90D	3	J4,J5,J6
124	124		1305653-00	22.0 1.0 W10.0 % CC	1	R146
125	125		9009149-01	PIN,STAKING 0.235 HX0.345LC SQUA	10	TP17-TP26

D I G I T A L		TITLE	DRIVE LOGIC	SECTION A OF A	SIZE	CODE	DOCUMENT NUMBER	REV
					K	PL	5414025-0-DBP	K

"THIS DRAWING AND SPECIFICATIONS, HEREIN, ARE THE PROPERTY OF DIGITAL EQUIPMENT CORPORATION AND SHALL NOT BE REPRODUCED OR COPIED OR USED IN WHOLE OR IN PART AS THE BASIS FOR THE MANUFACTURE OR SALE OF ITEMS WITHOUT WRITTEN PERMISSION. DIGITAL EQUIPMENT CORPORATION. COPYRIGHT © 1978."



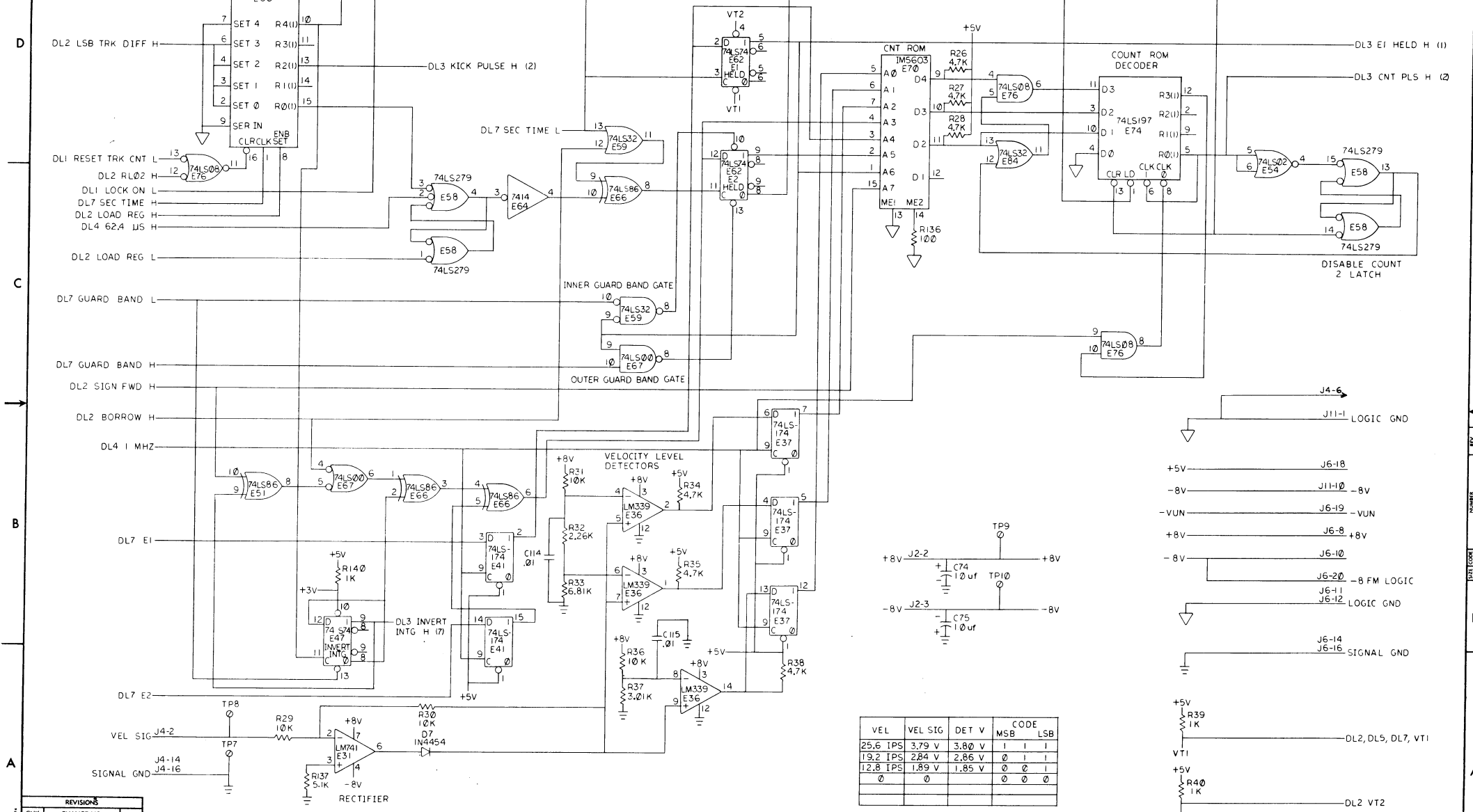
IC	7	8	16	13	4	11
75107B						
75113, 7442, 74LS123						
74LS174, 74LS193, 74LS195, 74LS279						
324					4	11
ROM		8	16			
UNSPECIFIED	7	14				
339	12				3	
339					3	12
339		12			3	

REV	DESCRIPTION	DATE	BY	CHKD
1	5414025-CX001		M. BROWN	
2	5414025-CX002		M. BROWN	
3	5414025-CX003		M. ZARICH	
4	5414025-CX004		M. ZARICH	
5	5414025-CX005		M. ZARICH	
6	5414025-CX006		M. ZARICH	
7	5414025-CX007		M. ZARICH	
8	5414025-CX008		M. ZARICH	
9	5414025-CX009		M. ZARICH	
10	5414025-CX010		M. ZARICH	
11	5414025-CX011		M. ZARICH	
12	5414025-CX012		M. ZARICH	
13	5414025-CX013		M. ZARICH	
14	5414025-CX014		M. ZARICH	
15	5414025-CX015		M. ZARICH	
16	5414025-CX016		M. ZARICH	
17	5414025-CX017		M. ZARICH	
18	5414025-CX018		M. ZARICH	
19	5414025-CX019		M. ZARICH	
20	5414025-CX020		M. ZARICH	

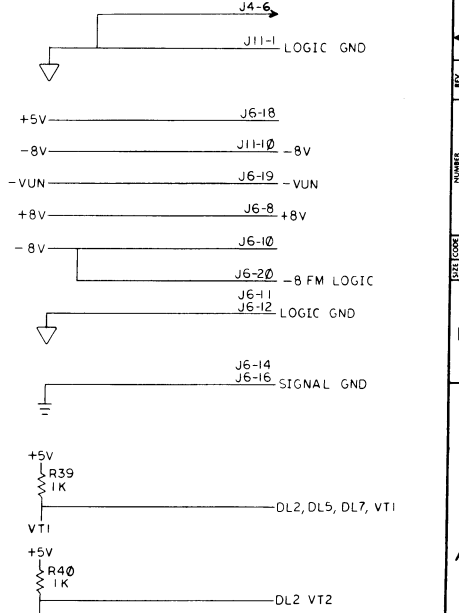
DRN	5414025-CX001	5/11/78	FIRST USED ON	
CHK'D	M. BROWN	5/11/78	TITLE	DRIVE LOGIC (STATE CONTROL LOGIC) (DL)
ENG	M. BROWN	5/11/78	CODE	D
PROJ ENGR	M. BROWN	5/11/78	NUMBER	5414025-0-1
PROD	M. BROWN	5/11/78	REV	M
NEXT HIGHER ASSY.			SIZE	B-DD-5414025-C
SCALE			DIST	
SHEET	1	OF 3		



"THIS DRAWING AND SPECIFICATIONS, HEREIN, ARE THE PROPERTY OF DIGITAL EQUIPMENT CORPORATION AND SHALL NOT BE REPRODUCED OR COPIED OR USED IN WHOLE OR IN PART AS THE BASIS FOR THE MANUFACTURE OR SALE OF ITEMS WITHOUT WRITTEN PERMISSION. COPYRIGHT © 1978, DIGITAL EQUIPMENT CORPORATION"



VEL	VEL SIG	DET V	CODE MSB	LSB
25.6 IPS	3.79 V	3.80 V	1	1
19.2 IPS	2.84 V	2.85 V	0	1
12.8 IPS	1.89 V	1.85 V	0	0
0	0	0	0	0

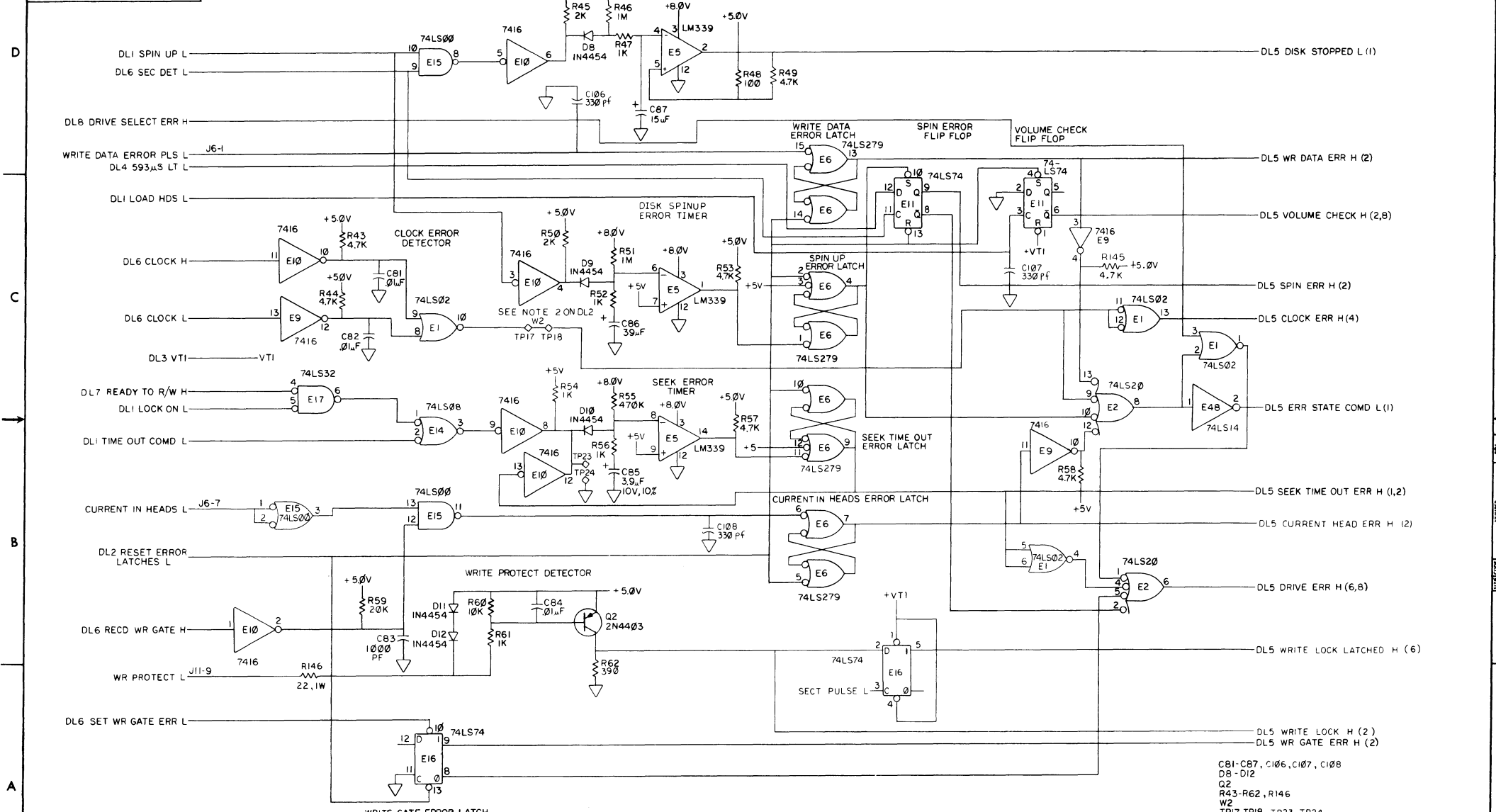


REVISIONS		
CHK	CHANGE NO.	REV.





"THIS DRAWING AND SPECIFICATIONS HEREIN ARE THE PROPERTY OF DIGITAL EQUIPMENT CORPORATION AND SHALL NOT BE REPRODUCED OR COPIED OR USED IN WHOLE OR IN PART AS THE BASIS FOR THE MANUFACTURE OR SALE OF ITEMS WITHOUT WRITTEN PERMISSION. COPYRIGHT © 1978, DIGITAL EQUIPMENT CORPORATION"



C81-C87, C106, C107, C108  
 D8-D12  
 Q2  
 R43-R62, R146  
 W2  
 TP17, TP18, TP23, TP24

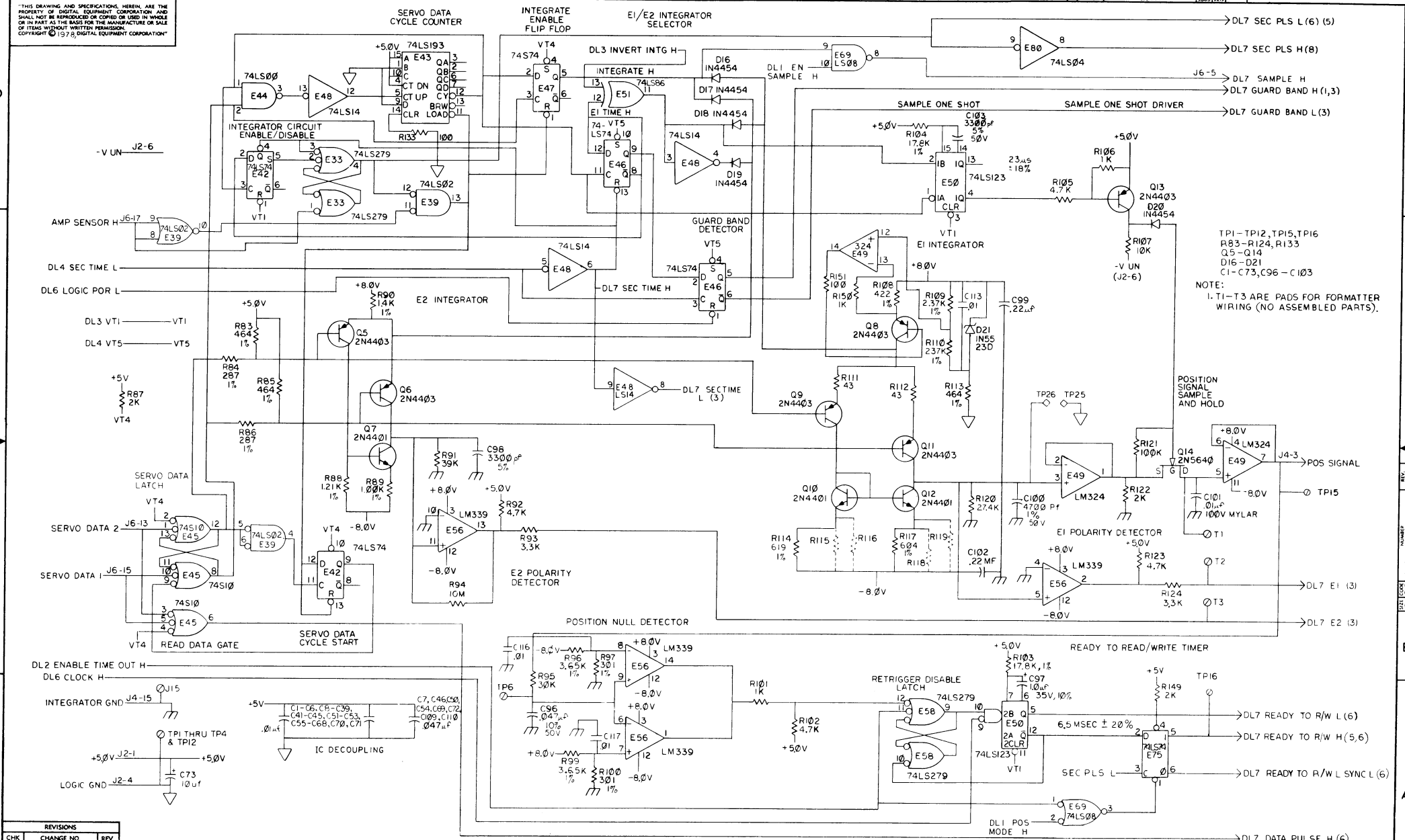
REVISIONS		
CHK	CHANGE NO.	REV.

TITLE	DRIVE LOGIC (ERROR LOGIC) (DL5)	SIZE/COOE	NUMBER	REV.
SCALE	1/8	SHEET	5 OF 8	M



"THIS DRAWING AND SPECIFICATIONS, HEREIN, ARE THE PROPERTY OF DIGITAL EQUIPMENT CORPORATION AND SHALL NOT BE REPRODUCED OR COPIED OR USED IN WHOLE OR IN PART AS THE BASIS FOR THE MANUFACTURE OR SALE OF ITEMS WITHOUT WRITTEN PERMISSION. COPYRIGHT © 1978, DIGITAL EQUIPMENT CORPORATION"

W 1-1-0-0201465 2



TP1-TP12, TP15, TP16  
R83-R124, R133  
Q5-Q14  
D16-D21  
C1-C73, C96-C103

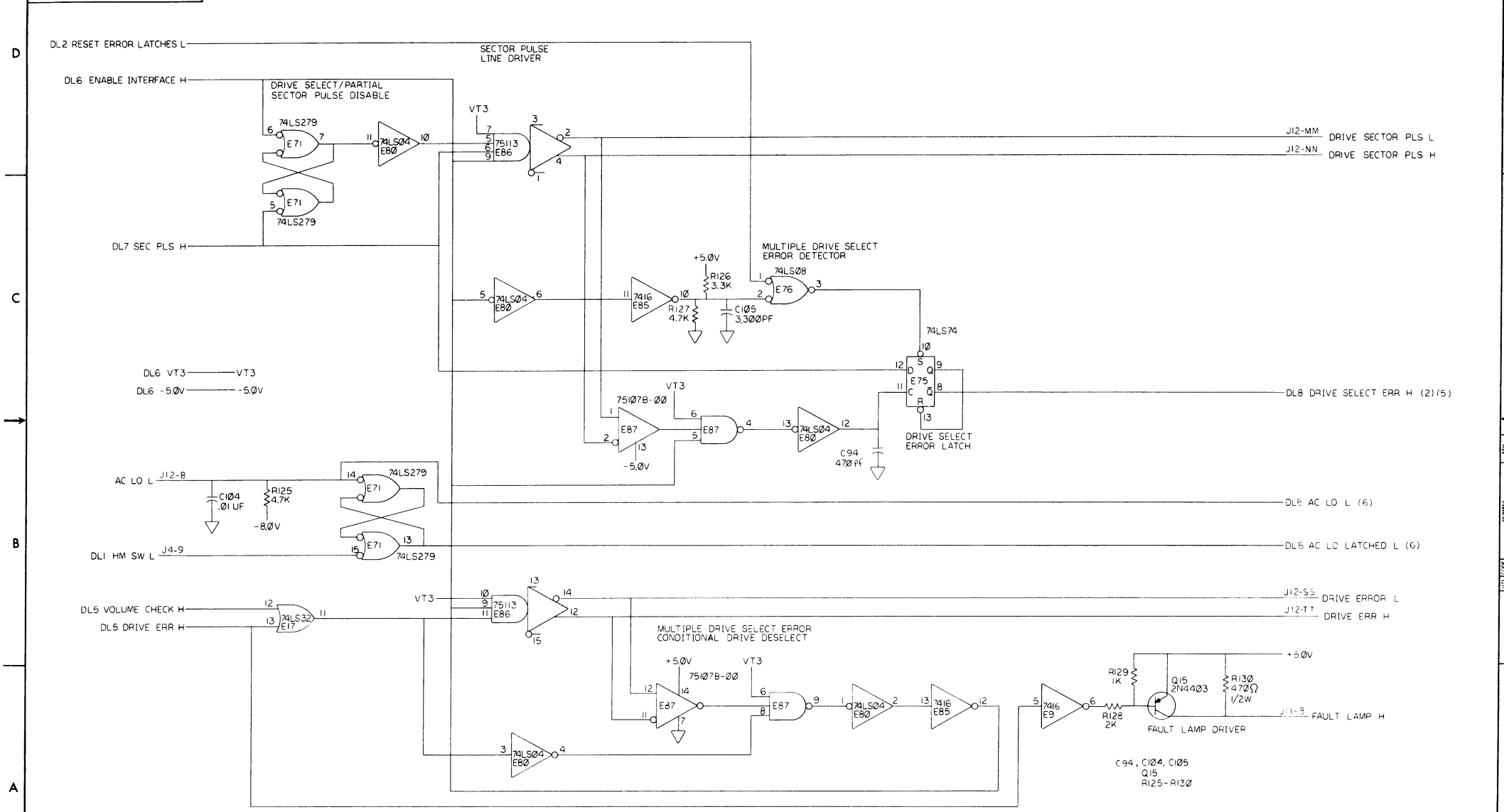
NOTE:  
1. TP1-T3 ARE PADS FOR FORMATTER WIRING (NO ASSEMBLED PARTS).

REVISIONS		
CHK	CHANGE NO.	REV.

TITLE DRIVE LOGIC (INTEGRATOR LOGIC) DL7  
SIZE CODE DCS  
NUMBER 5414025-0-1  
REV. M

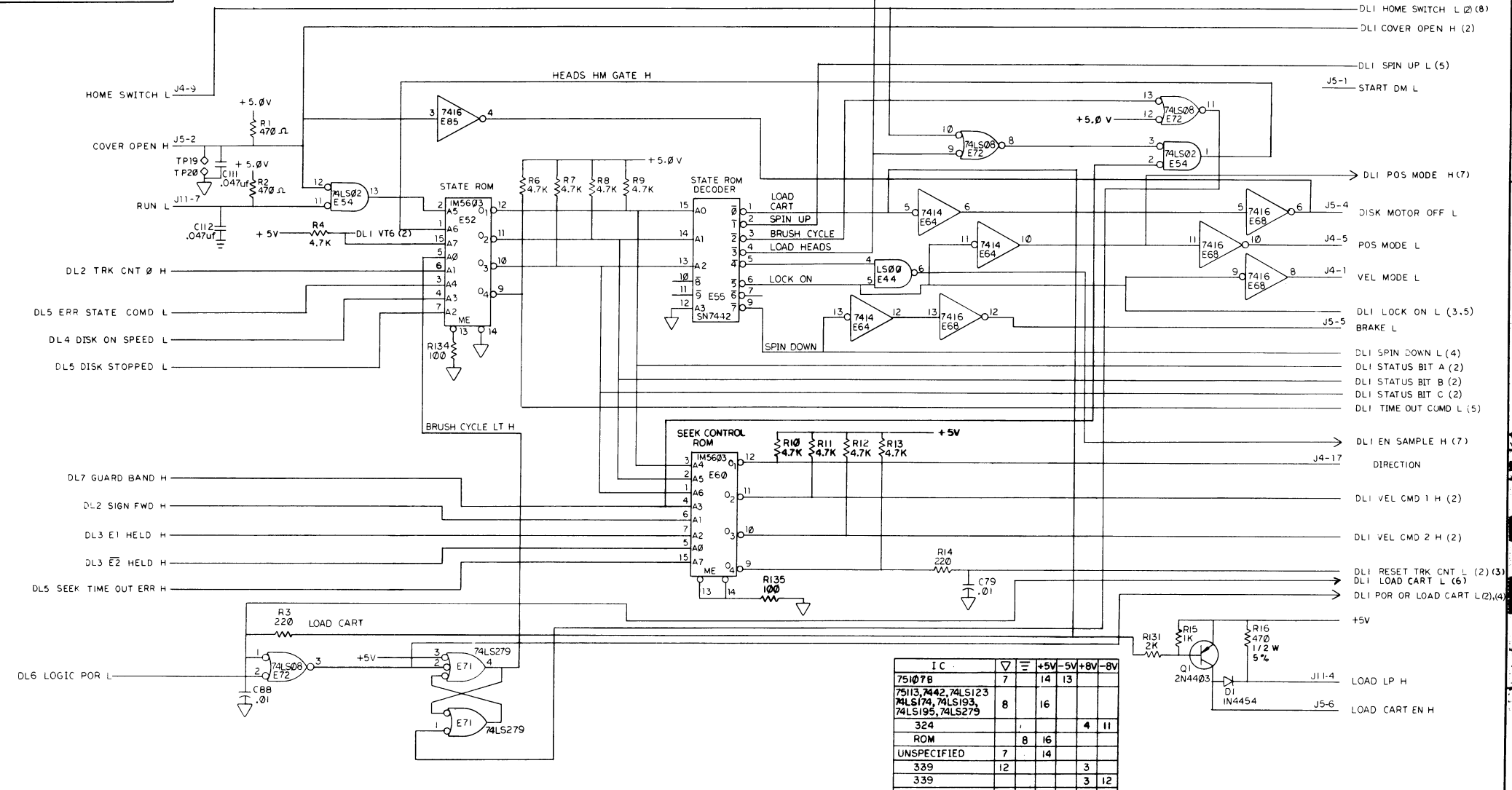
SCALE 1/1 SHEET 7 OF 8 DIST.

"THIS DRAWING AND SPECIFICATIONS, HEREIN, ARE THE PROPERTY OF DIGITAL EQUIPMENT CORPORATION AND SHALL NOT BE REPRODUCED OR COPIED OR USED IN WHOLE OR IN PART AS THE BASIS FOR THE MANUFACTURE OR SALE OF ITEMS WITHOUT WRITTEN PERMISSION. COPYRIGHT © 1978 DIGITAL EQUIPMENT CORPORATION"



REVISIONS		
CHK	CHANGE NO.	REV.

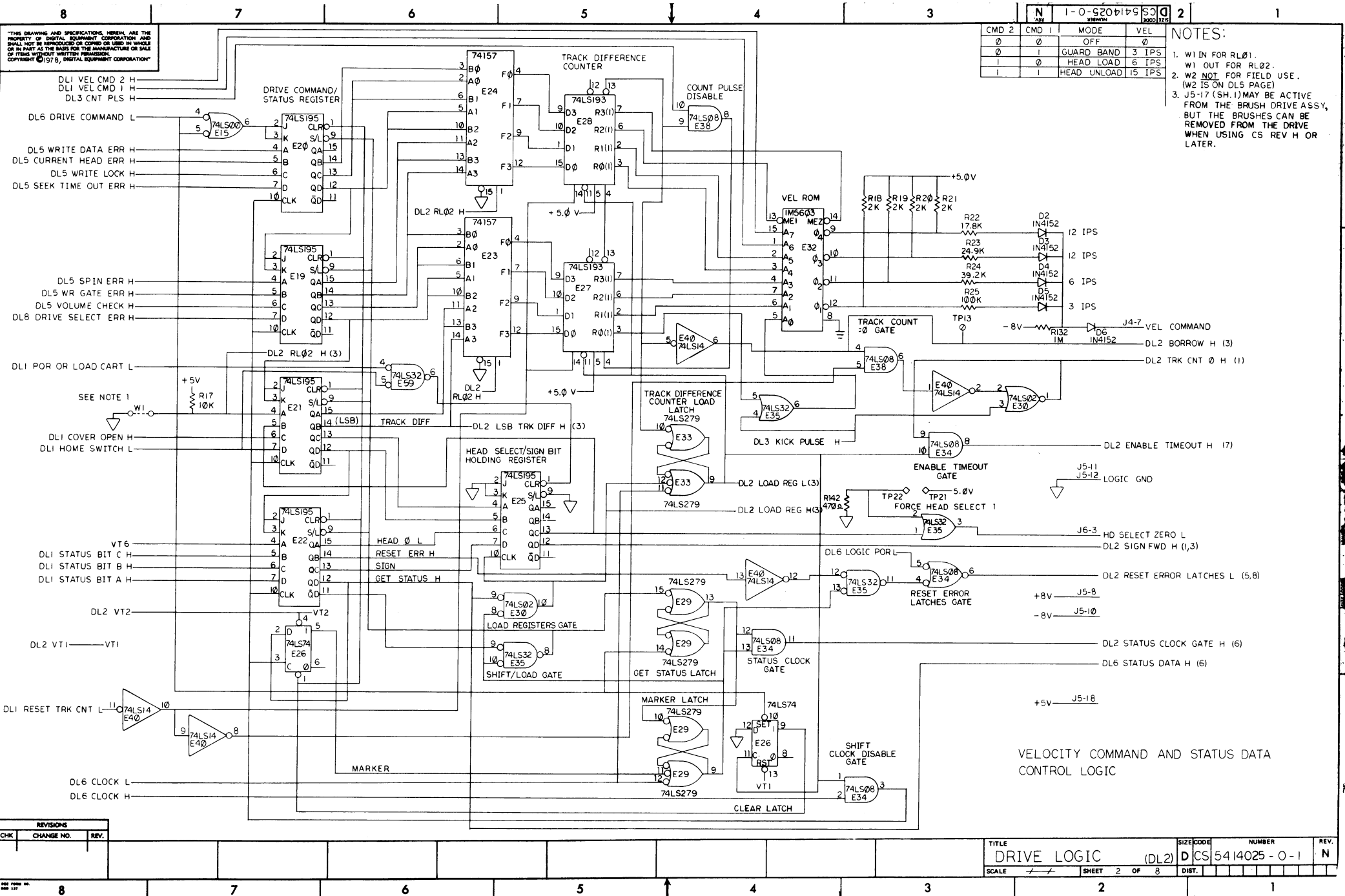
"THIS DRAWING AND SPECIFICATIONS, HEREIN, ARE THE PROPERTY OF DIGITAL EQUIPMENT CORPORATION AND SHALL NOT BE REPRODUCED OR COPIED OR USED IN WHOLE OR IN PART AS THE BASIS FOR THE MANUFACTURE OR SALE OF ITEMS WITHOUT WRITTEN PERMISSION. COPYRIGHT © 1978, DIGITAL EQUIPMENT CORPORATION"



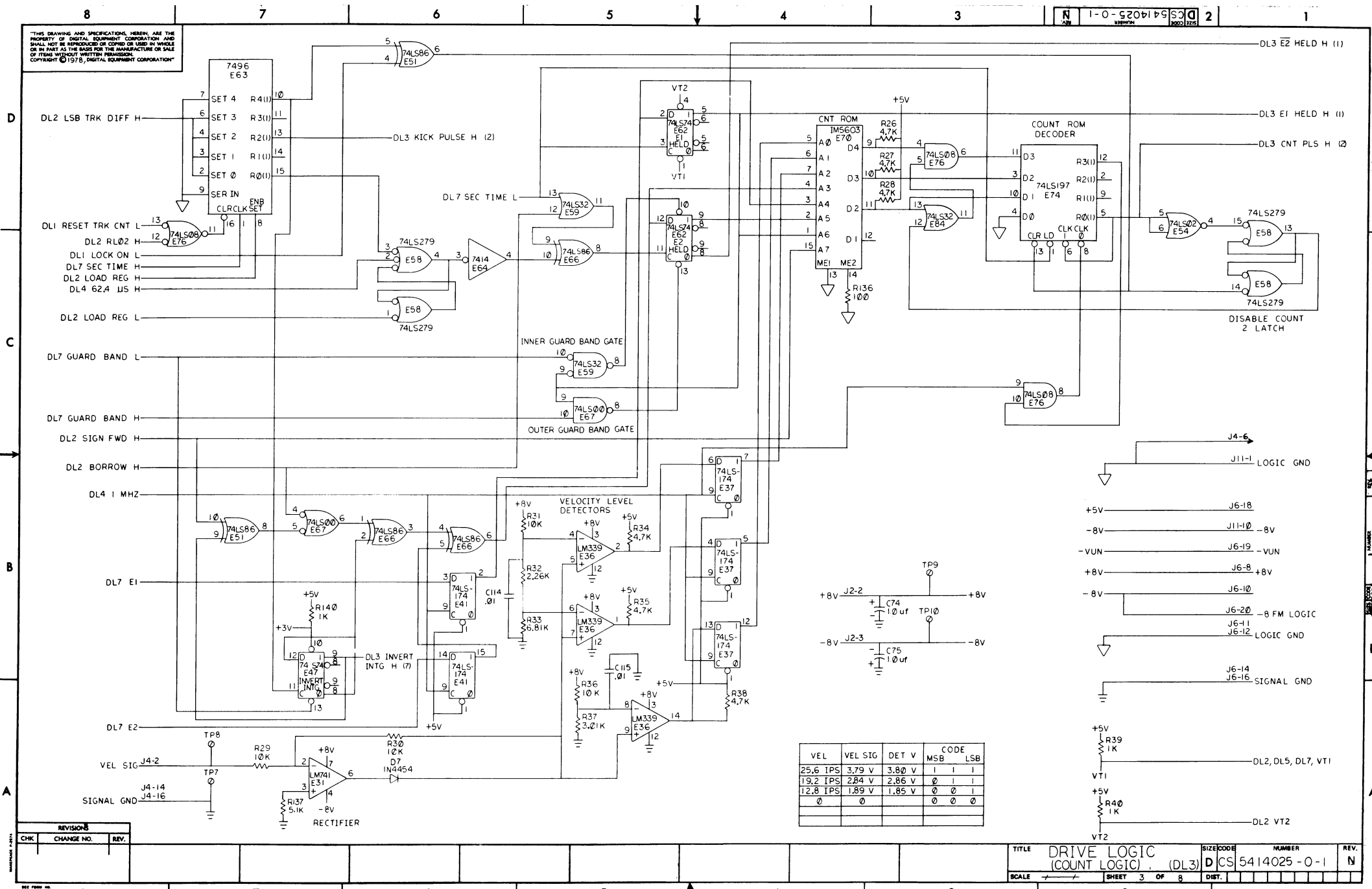
IC	7	14	13		
75107B					
75113, 7442, 74LS123	7	14	13		
74LS174, 74LS193, 74LS195, 74LS279	8	16			
324				4	11
ROM		8	16		
UNSPECIFIED	7	14			
339	12			3	
339				3	12
339	12			3	

REV.	BY	DATE	DESCRIPTION
1	M. BROWN	5/11/78	INITIAL DESIGN
2	M. BROWN	5/11/78	REVISED FOR MANUFACTURE
3	M. BROWN	5/11/78	REVISED FOR MANUFACTURE
4	M. BROWN	5/11/78	REVISED FOR MANUFACTURE
5	M. BROWN	5/11/78	REVISED FOR MANUFACTURE
6	M. BROWN	5/11/78	REVISED FOR MANUFACTURE
7	M. BROWN	5/11/78	REVISED FOR MANUFACTURE
8	M. BROWN	5/11/78	REVISED FOR MANUFACTURE
9	M. BROWN	5/11/78	REVISED FOR MANUFACTURE
10	M. BROWN	5/11/78	REVISED FOR MANUFACTURE
11	M. BROWN	5/11/78	REVISED FOR MANUFACTURE
12	M. BROWN	5/11/78	REVISED FOR MANUFACTURE
13	M. BROWN	5/11/78	REVISED FOR MANUFACTURE
14	M. BROWN	5/11/78	REVISED FOR MANUFACTURE
15	M. BROWN	5/11/78	REVISED FOR MANUFACTURE
16	M. BROWN	5/11/78	REVISED FOR MANUFACTURE
17	M. BROWN	5/11/78	REVISED FOR MANUFACTURE
18	M. BROWN	5/11/78	REVISED FOR MANUFACTURE
19	M. BROWN	5/11/78	REVISED FOR MANUFACTURE
20	M. BROWN	5/11/78	REVISED FOR MANUFACTURE

DRN: 7/0/78	5/11/78	FIRST USED ON	
CHK'D: M. BROWN	5/11/78	TITLE	DRIVE LOGIC (STATE CONTROL LOGIC) (DLI)
ENG: M. BROWN	5/11/78	PROJ. ENG:	
PROD.:			
NEXT HIGHER ASSY:		SIZE CODE	D
B-DD: 5414025-0		NUMBER	CS 5414025-0-1
SCALE:		REV.	N
SHEET 1 OF 3		DIST.	



"THIS DRAWING AND SPECIFICATIONS HEREIN ARE THE PROPERTY OF DIGITAL EQUIPMENT CORPORATION AND SHALL NOT BE REPRODUCED OR COPIED OR USED IN WHOLE OR IN PART AS THE BASIS FOR THE MANUFACTURE OR SALE OF ITEMS WITHOUT WRITTEN PERMISSION. COPYRIGHT © 1978, DIGITAL EQUIPMENT CORPORATION"

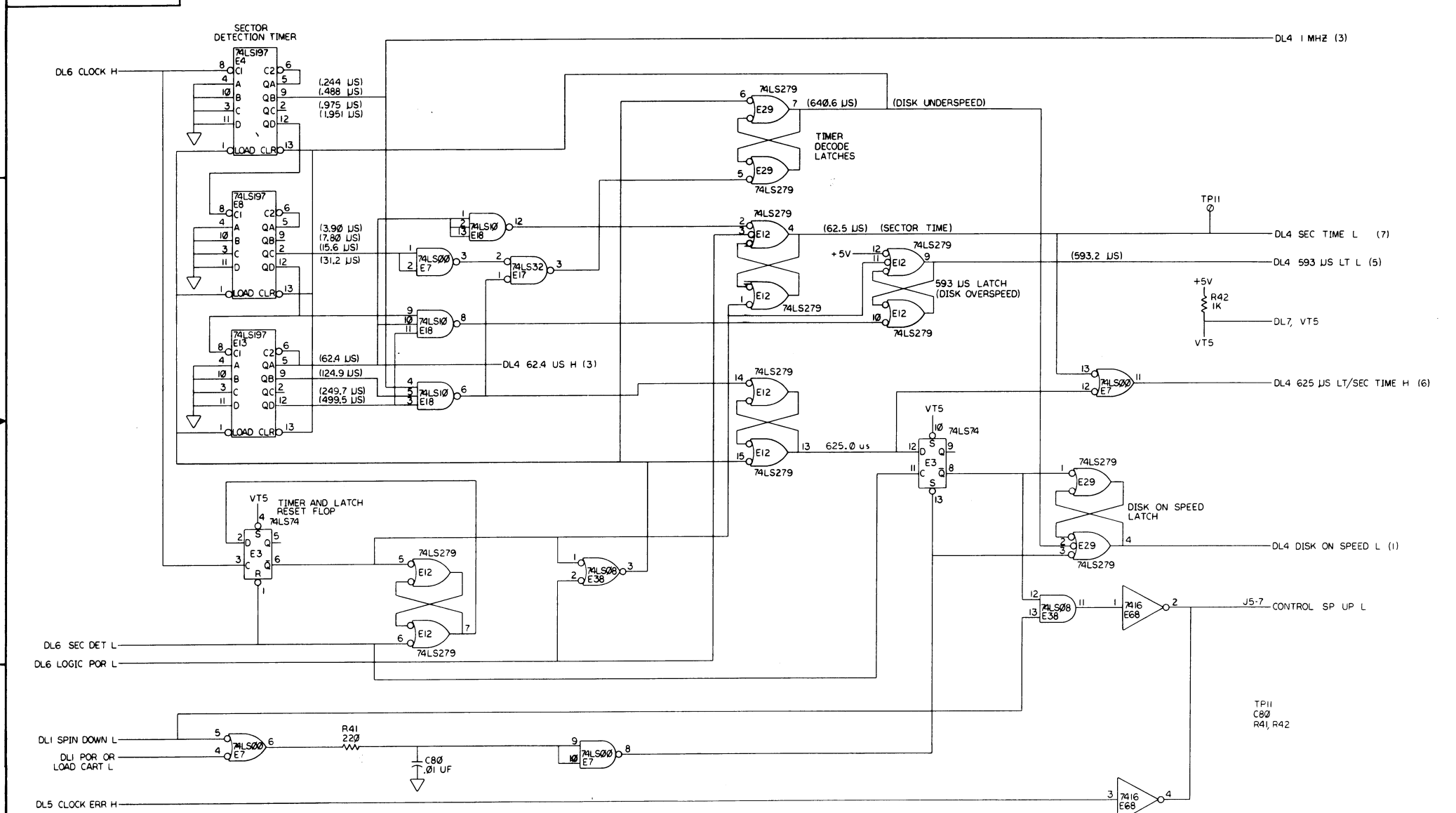


VEL	VEL SIG	DET V	CODE	MSB	LSB
25.6 IPS	3.79 V	3.80 V	1	1	1
19.2 IPS	2.84 V	2.86 V	0	1	1
12.8 IPS	1.89 V	1.85 V	0	0	1
0	0	0	0	0	0

TITLE DRIVE LOGIC (COUNT LOGIC) (DL3) SIZE CODE NUMBER REV. DCS 5414025-0-1 N

REVISIONS		
CHK	CHANGE NO.	REV.

"THIS DRAWING AND SPECIFICATIONS HEREIN, ARE THE PROPERTY OF DIGITAL EQUIPMENT CORPORATION AND SHALL NOT BE REPRODUCED OR COPIED OR USED IN WHOLE OR IN PART AS THE BASIS FOR THE MANUFACTURE OR SALE OF ITEMS WITHOUT WRITTEN PERMISSION. COPYRIGHT © 1970 DIGITAL EQUIPMENT CORPORATION"

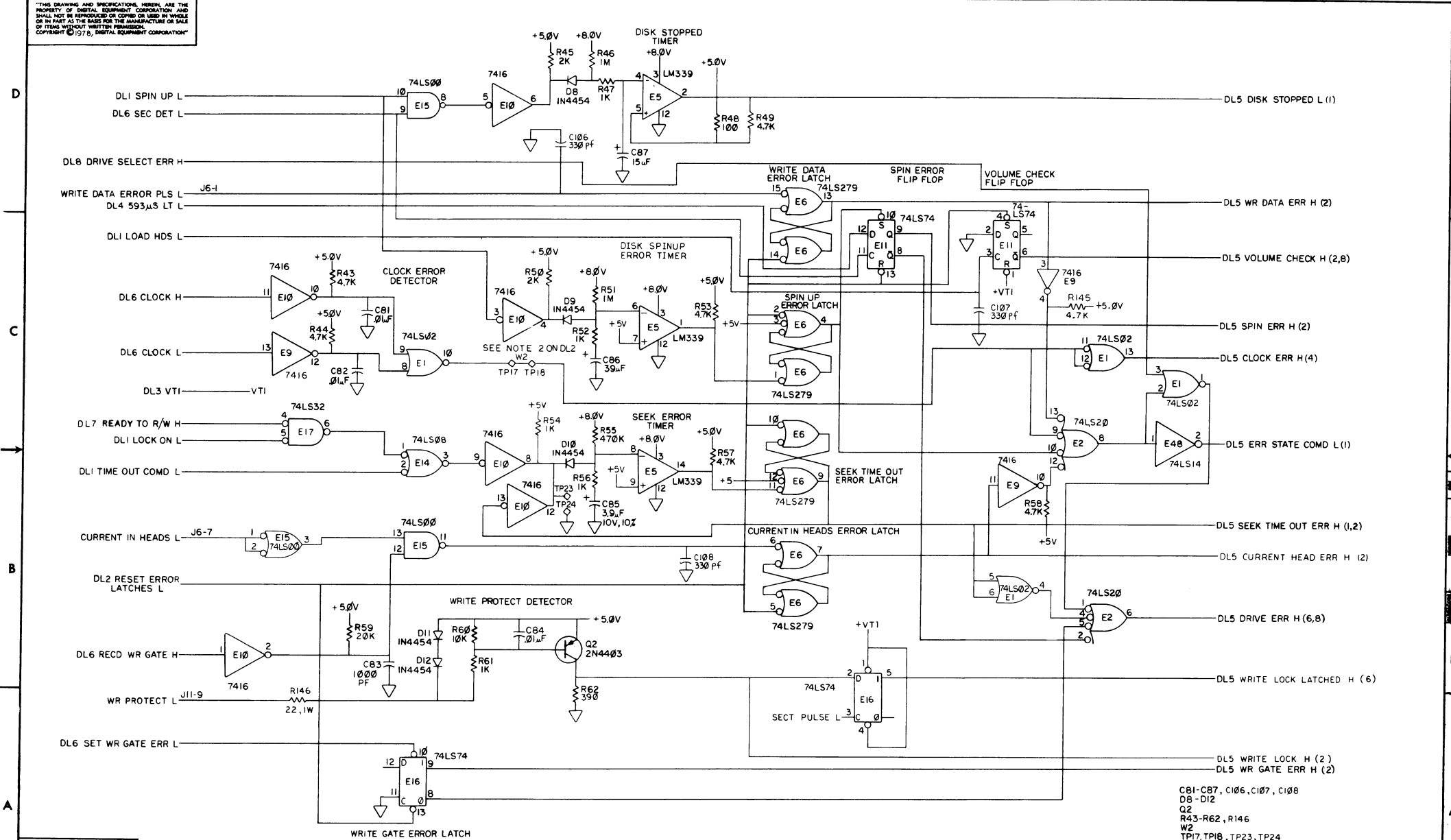


REVISIONS		
CHR	CHANGE NO.	REV.



THIS DRAWING AND SPECIFICATIONS HEREIN ARE THE PROPERTY OF DIGITAL EQUIPMENT CORPORATION AND SHALL NOT BE REPRODUCED OR COPIED OR USED IN WHOLE OR IN PART AS THE BASIS FOR THE MANUFACTURE OR SALE OF ITEMS WITHOUT WRITTEN PERMISSION. COPYRIGHT © 1975, DIGITAL EQUIPMENT CORPORATION

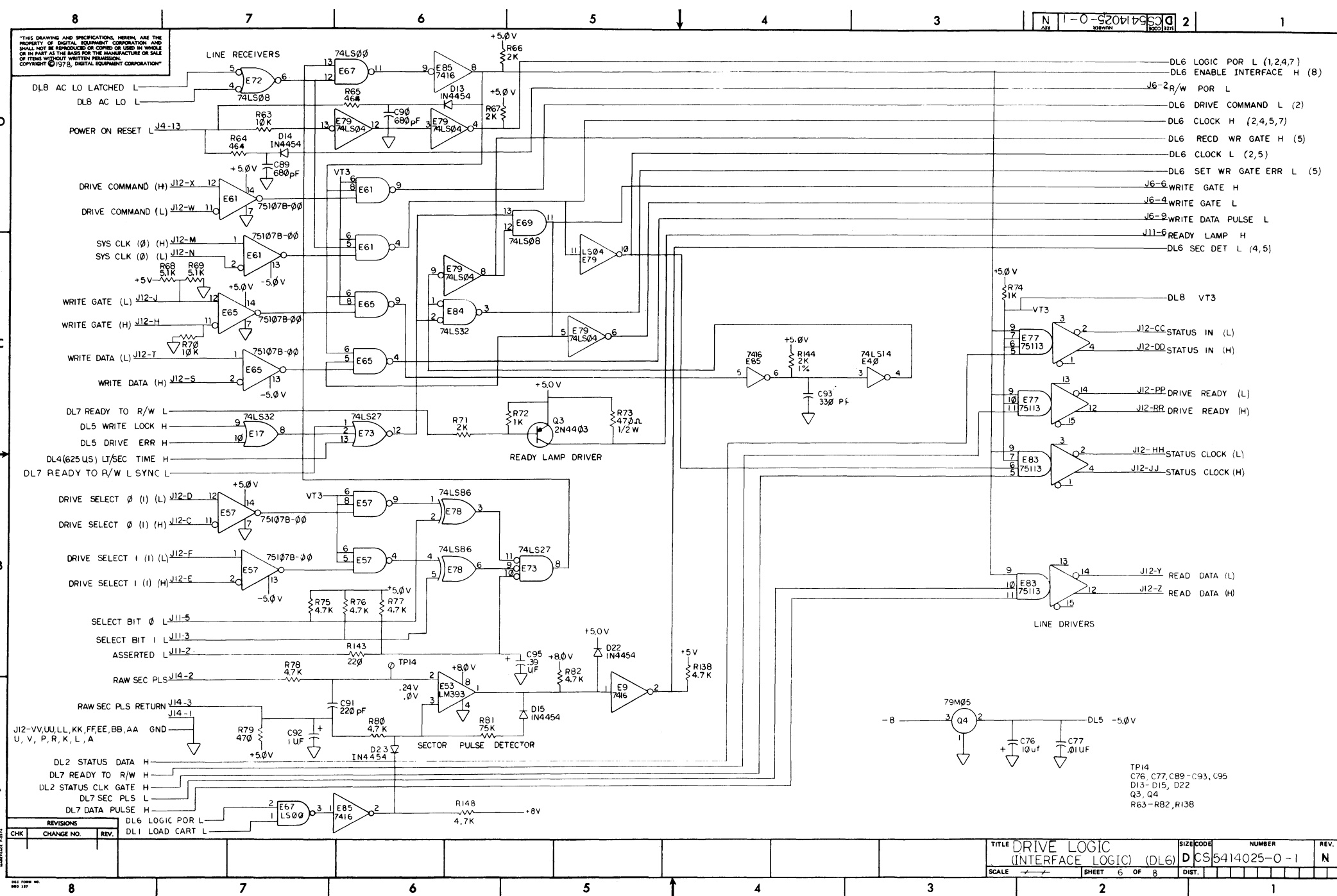
N 1-0-920119S [S] D 2



C81-C87, C106, C107, C108  
 D8-D12  
 Q2  
 R43-R62, R146  
 W2  
 TP17, TP18, TP23, TP24

REVISIONS		
CHK	CHANGE NO.	REV.

TITLE	DRIVE LOGIC (ERROR LOGIC) (DL5)	SIZE CODE	D CS	NUMBER	5414025-0-1	REV.	N
SCALE		SHEET	5 OF 8	DIST.			



"THIS DRAWING AND SPECIFICATIONS, HEREIN, ARE THE PROPERTY OF DIGITAL EQUIPMENT CORPORATION AND SHALL NOT BE REPRODUCED OR COPIED OR USED IN WHOLE OR IN PART AS THE BASIS FOR THE MANUFACTURE OR SALE OF ITEMS WITHOUT WRITTEN PERMISSION. COPYRIGHT © 1978, DIGITAL EQUIPMENT CORPORATION"

N 1-0-52014025-0 2

REVISIONS		
CHK	CHANGE NO.	REV.

TITLE DRIVE LOGIC (INTERFACE LOGIC) (DL6) SIZE CODE NUMBER REV. DCS 5414025-0-1 N  
 SCALE SHEET 6 OF 8 DIST.



