

THIS DRAWING AND THE SPECIFICATIONS CONTAINED HEREIN ARE CONFIDENTIAL AND PROPRIETARY. THEY ARE THE PROPERTY OF DIGITAL EQUIPMENT CORPORATION AND SHALL NOT BE REPRODUCED OR COPIED OR USED IN WHOLE OR IN PART AS THE BASIS FOR MANUFACTURING OR SALE OF ITEMS WITHOUT WRITTEN PERMISSION. THIS IS AN UNPUBLISHED WORK PROTECTED UNDER THE FEDERAL COPYRIGHT LAWS.

FIELD MAINTENANCE PRINT SET

TABLE OF CONTENTS

K-TC-DLVJ1-0-1	FIELD MAINTENANCE PRINT SET
K-DD-DLVJ1-0	DLVJ1 DRAWING DIRECTORY
K-PL-DLVJ1-0-0	DLVJ1 OPTION
E-DD-M8043-0	4 SERIAL LINE PER CTRL.
D-UA-M8043-0-0	4 SERIAL LINE PER CTRL.
K-PL-M8043-0-DBP	4 SERIAL LINE PER CTRL.
D-CS-M8043-0-1	4 SERIAL LINE PER CTRL.
C-UA-H3270-0-0	CONNECTOR, TEST

UNIT VARIATIONS COVERED BY THIS PRINT SET

DLVJ1-M
DLVJ1-LP

DLVJ1

FIELD MAINTENANCE PRINT SET

DIGITAL EQUIPMENT CORPORATION

PRINT SET ORDER NO.

MP00989-01 REV A1

REVISION HISTORY

CONT. REVISION HISTORY

MADE BY: R. ROBICHAUD
DATE: 14 OCT 83

d i s i t a l

REVI	ECO NUMBER	DATE
A	INITIAL	14 OCT 83

REVI	ECO NUMBER	DATE

CHECKED BY: J. FALKOWSKI
DATE: 5 DEC 83 *J. Falkowski*

PROJECT ENGR: R. BERGERON
DATE: 9 DEC 83 *R. Bergeron*

RSPBLE ENGR: M. LAWRENCE
DATE: 9 DEC 83 *R. Bergeron*

FIELD SERVICE: S. CRANSTON
DATE: 15 DEC 83 *S. Cranston*

TITLE: FIELD MAINTENANCE PRINT SET

DLVJ1

SIZE | CODE | DOCUMENT NUMBER | REV.
K | TC | DLVJ1-0-1 | A

SHEET 1 OF 1

MK

"THE MATERIAL HEREIN IS FOR INFORMATION PURPOSES ONLY AND IS SUBJECT TO CHANGE WITHOUT NOTICE. DIGITAL EQUIPMENT CORPORATION ASSUMES NO RESPONSIBILITY FOR ANY ERRORS WHICH MAY APPEAR HEREIN."

DRAWING DIRECTORY

"THIS DRAWING AND SPECIFICATIONS, HEREIN, ARE THE PROPERTY OF DIGITAL EQUIPMENT CORPORATION AND SHALL NOT BE REPRODUCED OR COPIED OR USED IN WHOLE OR IN PART AS THE BASIS FOR THE MANUFACTURE OR SALE OF ITEMS WITHOUT WRITTEN PERMISSION. COPYRIGHT (C) 1983 DIGITAL EQUIPMENT CORPORATION"

FOR FIELD MAINTENANCE PRINT SET REFER TO K-TC-DLVJ1-0-1

UNIT VARIATIONS

VARIATION	TITLE
DLVJ1-M DJVJ1-LP	4 LINE ASYNC BASE OPTION (M8043) SYSTEM INTEGRATED DLVJ1-M

REVISION HISTORY			USED ON OPTION/MODEL	RESPONSIBLE ENG. : M. LAWRENCE	d i g i t a l			
ENG	ECO NUMBER	REV		DATE : 9-Dec-83				
---	INITIAL	A	DLVJ1	MADE BY : R. ROBICHAUD	TITLE DRAWING DIRECTORY			
				DATE : 14 OCT 83	DLVJ1			
				CHECKED BY : J. FALKOWSKI				
				DATE : 9 DEC 83				
				DESIGN ENGINEER : R. BERGERON				
				DATE : 9-Dec-83				
				PRODUCTION ENG. : R. GARCIA	SIZE	CODE	DOCUMENT NUMBER	REV.
				DATE : 9-Dec-83	K	DD	DLVJ1-0	A
					SHEET 1 OF 2		EDIT # 0001	

F
I
N
D

T
Y
P
E

II
II
II
II
II

F
I
N
D

T
Y
P
E

# DRAWING NUMBER	DESCRIPTION	T Y P E	II II II II II	# DRAWING NUMBER	DESCRIPTION	T Y P E
1	MP00989-01	F.M.P.S. DLVJ1 (MP)	-	II		
	K-TC-DLVJ1-0-1	F.M.P.S. DLVJ1 (TC)	-	II		
	K-PL-DLVJ1-0-0	DLVJ1 OPTION	E/M	II		
	A-SP-DLV11-J-2	DLV11-J ENGINEERING SPEC	-	II		
	A-SP-DLV11-J-QT	DLV11-J DESIGN MATURITY TEST PLAN AND RESULTS	-	II		
	K-AR-CKCKREF-0-0	FLEXIBLE OPTION PLAN	-	II		
2	B-DD-MB043-0	4 SERIAL LINE PER CTRLR.	-	II		
3	A-PL-H3270-A-0	PACKAGE OF 4 TEST CONNECTORS	E/M	II		
	C-UA-H3270-0-0	CONNECTOR, TEST	E/M	II		
4	K-PL-7020911-0-0	SHIPPING LIST DLVJ1	-	II		

TYPE: E ELECTRICAL								TITLE	DRAWING DIRECTORY		SIZE		CODE		DOCUMENT NUMBER		REV.						
M MECHANICAL		d		i		s		i		t		a		l		K		DD		DLVJ1-0		A	
E/M ELECTRO/MECHANICAL									DLVJ1														
											SHEET		2		OF		2				EDIT #		0001

MK

LINE ITEM	DOCUMENT NUMBER	PART NUMBER	DESCRIPTION	QUANTITY PER VARIATION	
				M	LP
1	D-UA-M8043-0-0	M8043-00	DLV11-J,4-SERIAL LINE PERIPHEREL	1	1
2	K-PL-CKDLVJ1-0-0	CKDLVJ1-00	CABKIT REF TO K-AR-CKCKREF-0-0	-	1
3	K-PL-7020911-0-0	7020911-01	SHIPPING LIST DLVJ1	A/R	-
4	A-PL-H3270-A-0	H3270-A	KIT OF 4 H3270	1	1

NOTE: CKDLVJ1-00 IS A REFERENCE VARIANT ONLY. SEE K-AR-CKCKREF-0-0 FOR EXACT VARIANT APPLICATION.

REVISION HISTORY		BASIC PART NO: DLVJ1		DRN:	R. ROBICHAUD	DATE:	14-OCT-83	D I G I T A L			
ENG	ECO NUMBER	REV	SECTION A OF A	CHK'D:	<i>J. Falkowski</i>	DATE:	9-DEC-83	TITLE	PARTS LIST		
---	INITIAL	A	SECTION, VARIATION INDEX	(A) M, LP	<i>J. Falkowski</i>	DATE:	14-OCT-83	DLVJ1 OPTION			
			(B)	DES. ENG.:	<i>R. Bergeron</i>	DATE:	9 Dec 83				
			(C)	RESP. ENG.:	<i>R. Bergeron</i>	DATE:	7 Dec 83	DOCUMENT NUMBER			
			(D)		<i>M. Lawrence</i>	DATE:	14-OCT-83	SIZE: CODE: NUMBER			
			(E)	MFG. ENG.:	<i>R. Garcia</i>	DATE:	9-DEC-83	K PL DLVJ1-0-0	REV		
			(F)	ASSEMBLY NUMBER:		TOP DOCUMENT NUMBER:	#K-DD-DJVJ1-0	FILE NAME:	EDIT #		
								MK1031.PLS	6		

"THIS DRAWING AND SPECIFICATIONS HEREIN, ARE THE PROPERTY OF DIGITAL EQUIPMENT CORPORATION AND SHALL NOT BE REPRODUCED OR COPIED OR USED IN WHOLE OR IN PART AS THE BASIS FOR THE MANUFACTURE OR SALE OF ITEMS WITHOUT WRITTEN PERMISSION. COPYRIGHT (C) 1983, DIGITAL EQUIPMENT CORPORATION"

THIS DRAWING AND SPECIFICATIONS, HEREIN, ARE THE PROPERTY OF DIGITAL EQUIPMENT CORPORATION AND SHALL NOT BE REPRODUCED OR COPIED OR USED IN WHOLE OR IN PART AS THE BASIS FOR THE MANUFACTURE OR SALE OF ITEMS WITHOUT WRITTEN PERMISSION. COPYRIGHT © 1964 DIGITAL EQUIPMENT CORPORATION

DETAIL - B
Q1 MOUNTING

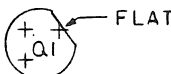
BEND MIDDLE LEAD OUT



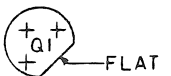
T0-92
(AS PICTURED ON UA AT RIGHT)



T0-18
(METAL CAN)



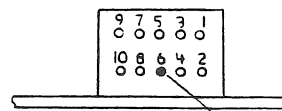
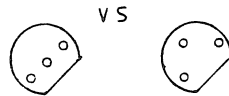
T0-105/106
(ROUND TOP PLASTIC)



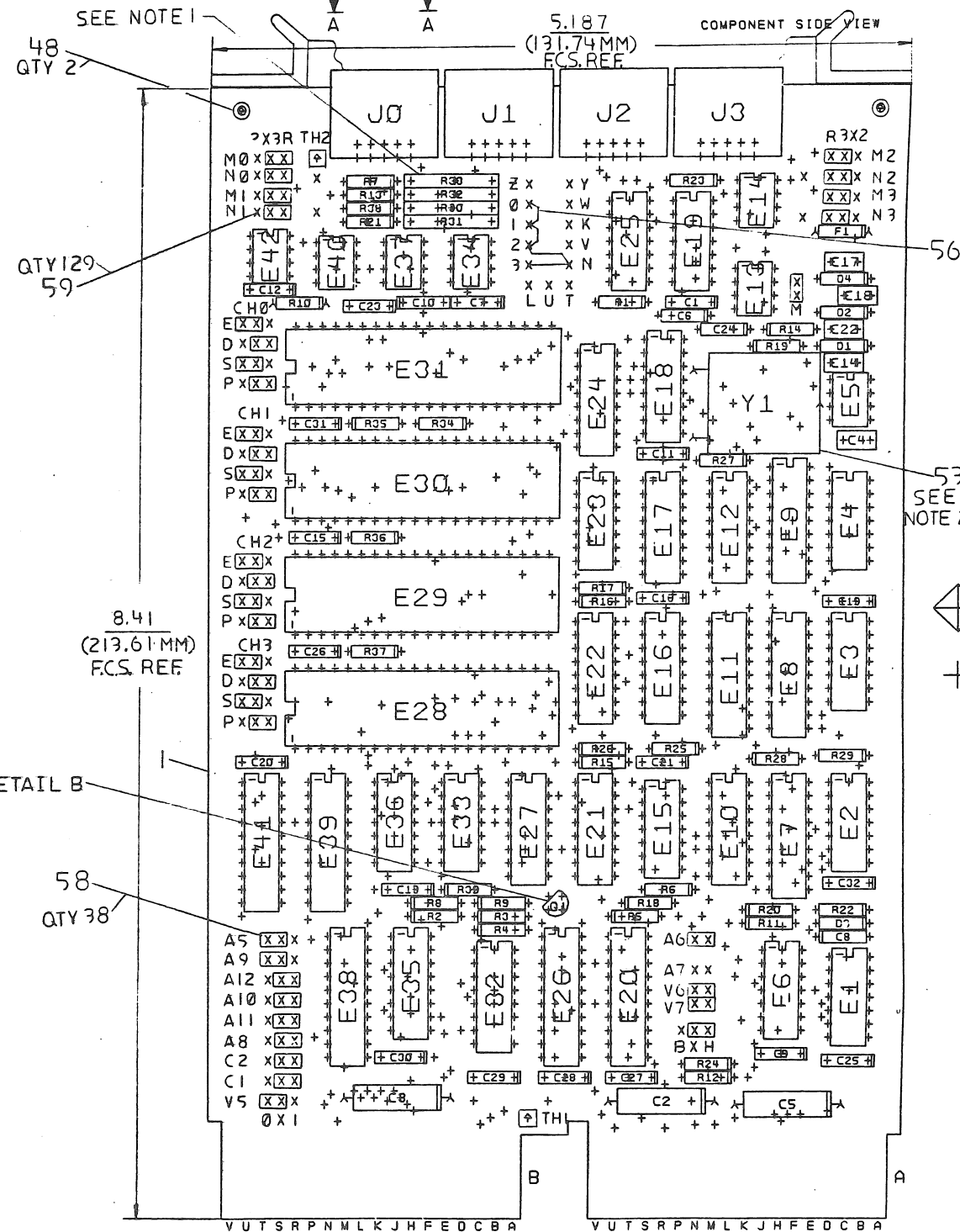
FOR LEADS IN A TRIANGULAR PATTERN

NOTE: DIFFERENCE

T0-92 vs T0-105/106



DETAIL A-A
TYP 4 PLACES
KEY (NO PIN)



CHK	DRAWN BY	ENGINEER	CHANGE NO	DATE	REV
	<i>H. S. Fraser</i>	<i>C. Hull</i>	M8043-MK9	24-MAR-64	L

CHK	DRAWN BY	ENGINEER	CHANGE NO	DATE	REV

NOTES:
1. R30-R33 ARE OPTIONAL.
2. CASE OF Y1 MUST BE INSULATED FROM PCB WITH ITEM 53.

STEP E → Y AXIS — STEP — TIMES
REPEAT → X AXIS 5.187 STEP 1 TIMES

ETCH REV.	F1-P2
-----------	-------

SIGNATURES		DATE
DRN. B.H. FRASER		7-MAR-64
CHK'D. <i>L. Ashburn</i>		17-MAR-64
MECH. ENG. <i>C. Hull</i>		24-MAR-64
PROJ. ENG. <i>C. Hull</i>		24-MAR-64
PROD. <i>Roger Jones</i>		24-MAR-64
SCALE 2/1		
SHT. 1 OF 1		
NEXT HIGHER ASSY. 8-00-M8043-0		

digital

TITLE 4 SERIAL LINE
PER CTLR.

SIZE CODE NUMBER REV
0 UA M8043-0-0 L

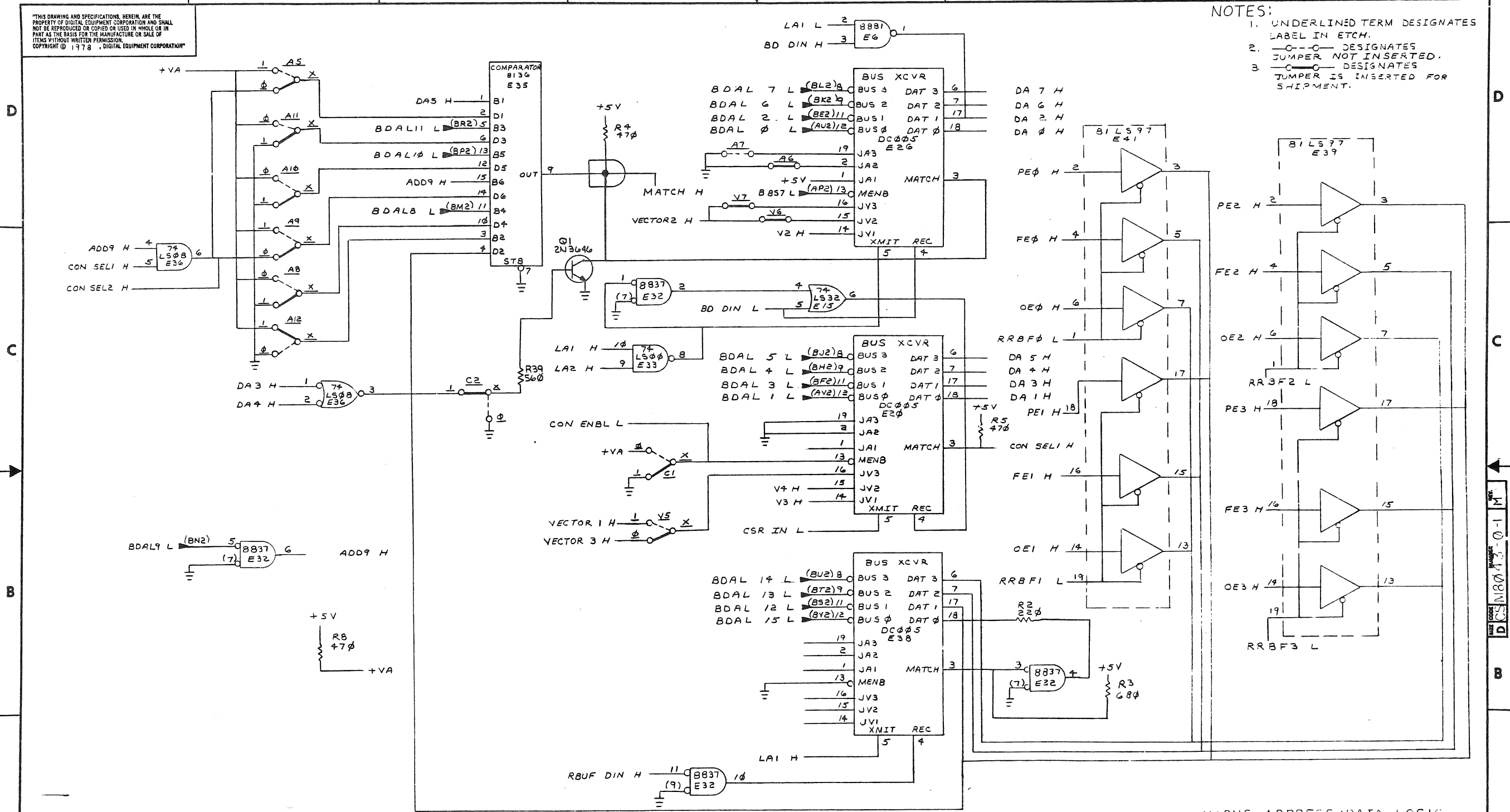
LINE	ITEM	TOP DOCUMENT	PART NUMBER	MIN REV	DESCRIPTION	QTY PER VARIATION	REFERENCE DESIGNATOR
					VARIATION REVISION LEVEL:	00	
30	30		1912842-00		LS138 DECODER-THREE INPUT,	1	E12
31	31		1915417-00		9638 DRIVER,DUAL,EIA RS-	2	E13,E42
32	32		1915415-00		9636 DRIVER,DUAL,EIA RS-	2	E14,E40
33	33		1912648-00		LS251 MUX 8 INPUT,TRI-STA	3	E16,E22,E24
34	34		1912860-00		LS259 LATCH 8BIT	1	E17
35	35		2113627-00		4049UBINVERTER-HEX BUFFER-	1	E18
36	36		1912801-00		LS02 NOR-GATE-GUAD 2IN	1	E19
37	37		1913040-00	DC	005 TRANSCIEVER 4BIT	3	E20,E26,E38
38	38		1912697-00		LS174 FF-D HEX W/CLEAR	1	E21
39	39		1912829-00		LS86 X-OR GATE-GUAD 2IN	1	E23
40	40		1914451-00		LS393 COUNTER,BINARY,4BIT	1	E25
41	41		1912846-00		LS155 DECODER,2 OF 4(DUAL)	1	E27
42	42		2113937-00		UART 125K BUAD	4	E28-E31
43	43		1911116-00	DEC	8837 RECEIVER,BUS,HEX,UN	1	E32
44	44		1912799-00		LS00 NAND-GATE-GUAD 2IN,P	1	E33
45	45		1919542-01		9639 RECEIVER,LINE,DUAL	2	E34,E37
46	46		1912805-00		LS08 AND GATE-GUAD 2IN,PO	1	E36
47	47		1914213-00		81LS97 BUFFER GATE-OCTAL 2I	2	E39,E41
48	48		9006732-00		EYELET,POLLED 0.1210DX0.219	2	
49	49		9009149-01		*** THIS ITEM IS NOT USED ***	-	
50	50		9105740-22		*** THIS ITEM IS NOT USED ***	-	
51	51		1912395-00	DM	8136 COMPARTOR-6BIT UNIF	1	E35
52	52		1013466-09		1000.0 MMF 50V 10% X7R CER	1	C8
53	53		9107250-10		TUBING,SHRINK .750ID EXP	A/R	
54	54		1301890-00		560.0 .25 x 5.0 % CF	1	R39
55	55		1503014-00		DEC 3646 NPN 200MW SI 15 5 30	1	Q1
56	56		9105740-55		WIRE(WRAP) 30AWG KYNAR UL14	A/R	
57	57		9107278-11		*** THIS ITEM IS NOT USED ***	-	
58	58		1218783-00		JUMPER 02PCS(1X02).100CC	38	
59	59		9009149-00		PIN,STAKNG 0.0250DX0.345LG SQUAR	129	

- 60 NOTE: 1. IF 1213506-04 IS NOT AVAILABLE,1213506-03 MAY BE USED,HOWEVER BOTTOM MIDDLE PIN MUST BE CLIPPED
 61 NOTE: (SEE SHT 1 OF D-UA-M8043-0-0)
 62 NOTE: 2. IF 9009149-00 IS NOT AVAILABLE,9009149-01 MAY BE USED.
 63 NOTE: 3. 9105740-22 MAY BE SUBSTITUTED FOR 9105740-55 ON WIRE WRAP PINS TO AID INSPECTION.
 64 NOTE: 4. IF 1503014-00 IS NOT AVAILABLE, 1503100-00 MAY BE USED, HOWEVER, 1503014-00 IS PREFERRED

D	I	G	I	T	A	L	TITLE	SECTION A OF A	SIZE	CODE	DOCUMENT NUMBER	REV
							V8043				M8043-0-DBP	L
							4 SERIAL LINE PER. CTRL.					

"THIS DRAWING AND SPECIFICATIONS, HEREIN, ARE THE PROPERTY OF DIGITAL EQUIPMENT CORPORATION AND SHALL NOT BE REPRODUCED OR COPIED OR USED IN WHOLE OR IN PART AS THE BASIS FOR THE MANUFACTURE OR SALE OF ITEMS WITHOUT WRITTEN PERMISSION. COPYRIGHT © 1978, DIGITAL EQUIPMENT CORPORATION"

- NOTES:
1. UNDERLINED TERM DESIGNATES LABEL IN ETCH.
 2. —O—O— DESIGNATES JUMPER NOT INSERTED.
 3. —C—C— DESIGNATES JUMPER IS INSERTED FOR SHIPMENT.



REV.	CHG.	BY	DATE	DESCRIPTION
1		T. ZAJAC	11/14/77	INITIAL DESIGN
2		T. ZAJAC	11/14/77	REVISED
3		T. ZAJAC	11/14/77	REVISED
4		T. ZAJAC	11/14/77	REVISED
5		T. ZAJAC	11/14/77	REVISED
6		T. ZAJAC	11/14/77	REVISED
7		T. ZAJAC	11/14/77	REVISED
8		T. ZAJAC	11/14/77	REVISED

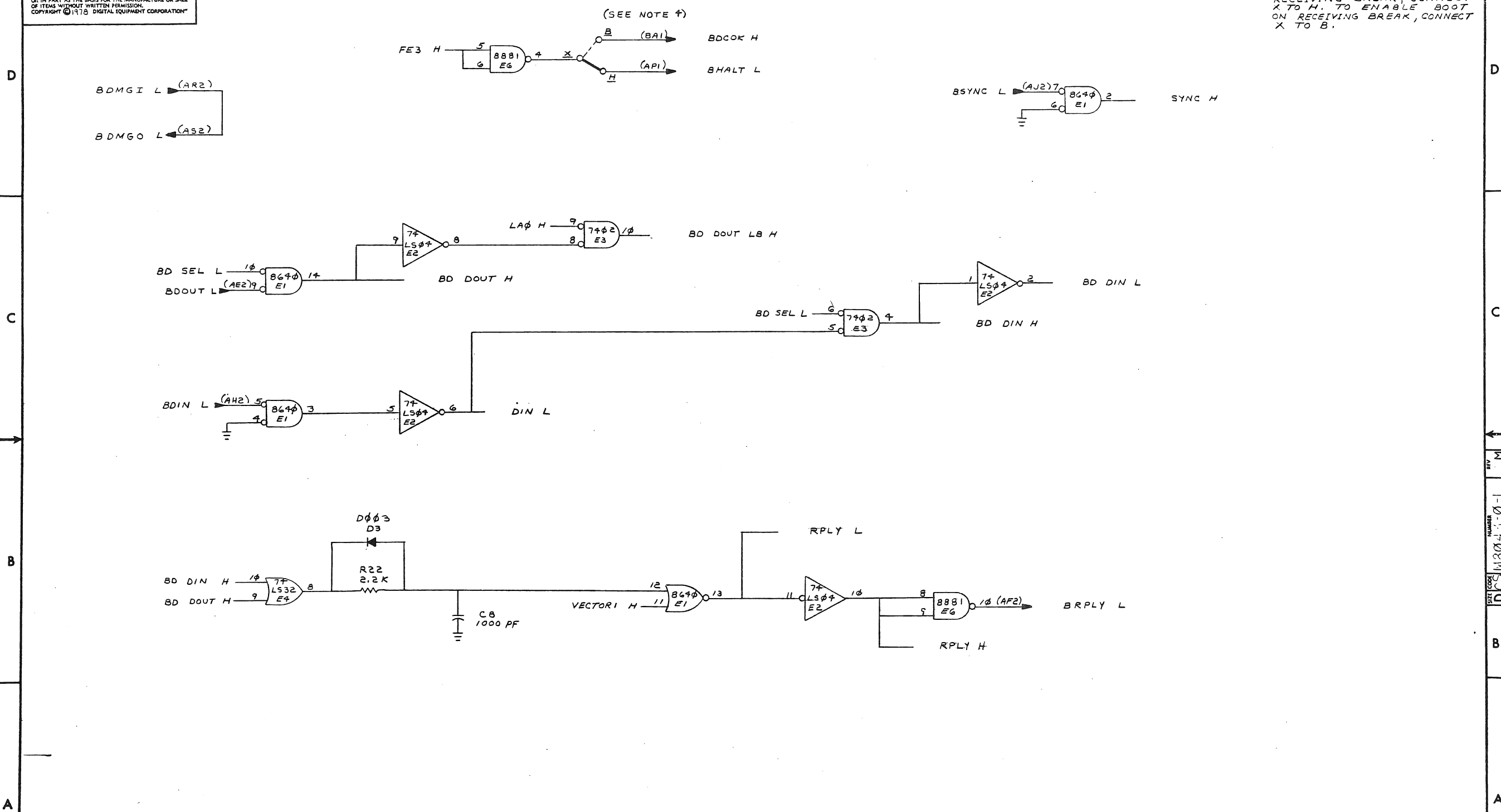
K1:BUS ADDRESS/DATA LOGIC

DRN. <i>Swilson</i>	30 JAN 78	FIRST USED ON	DLVII-J
CHK'D <i>W. Carter</i>	27 FEB 78	TITLE	4 SERIAL LINE PER. CTRL.
ENG. <i>Anna Pope</i>	2 MAR 78	SCALE	NONE
PROJ. ENG. <i>...</i>	2 MAR 78	SIZE	D
PROD. <i>...</i>	3 APR 78	CODE	CSM8043-0-1
NEXT HIGHER ASSY.		NUMBER	
B-DI-ME043-0		DIST.	
SHEET 1 OF 7		REV.	M

"THIS DRAWING AND SPECIFICATIONS, HEREIN, ARE THE PROPERTY OF DIGITAL EQUIPMENT CORPORATION AND SHALL NOT BE REPRODUCED OR COPIED OR USED IN WHOLE OR IN PART AS THE BASIS FOR THE MANUFACTURE OR SALE OF ITEMS WITHOUT WRITTEN PERMISSION. COPYRIGHT © 1975 DIGITAL EQUIPMENT CORPORATION"

1-0-εb08W50d 2

NOTES:
4. TO ENABLE HALT ON RECEIVING BREAK, CONNECT X TO H. TO ENABLE BOOT ON RECEIVING BREAK, CONNECT X TO B.



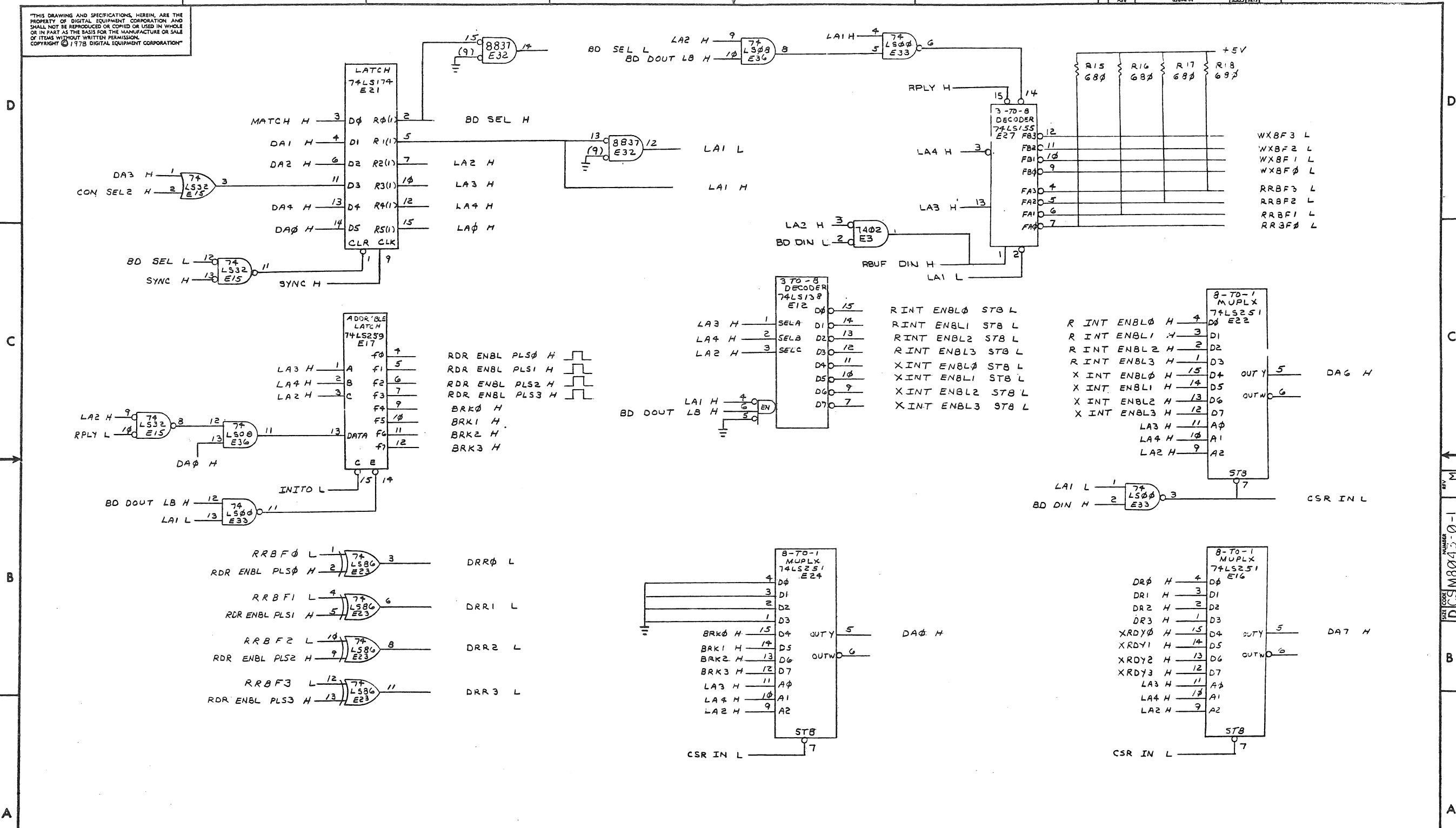
REVISIONS		
CHK	CHANGE NO.	REV.

TITLE K2: CONTROL AND HALT/BOOT LOGIC		SIZE CODE	NUMBER	REV.
4 SERIAL LINE PER. CTLR.		DCS	M8043-0-1	M
SCALE	SHEET	OF	DIST.	
NONE	2	7		

DCS M8043-0-1

THIS DRAWING AND SPECIFICATIONS, HEREIN, ARE THE PROPERTY OF DIGITAL EQUIPMENT CORPORATION AND SHALL NOT BE REPRODUCED OR COPIED OR USED IN WHOLE OR IN PART AS THE BASIS FOR THE MANUFACTURE OR SALE OF ITEMS WITHOUT WRITTEN PERMISSION. COPYRIGHT © 1978 DIGITAL EQUIPMENT CORPORATION

W 1-0-8708WSD 2



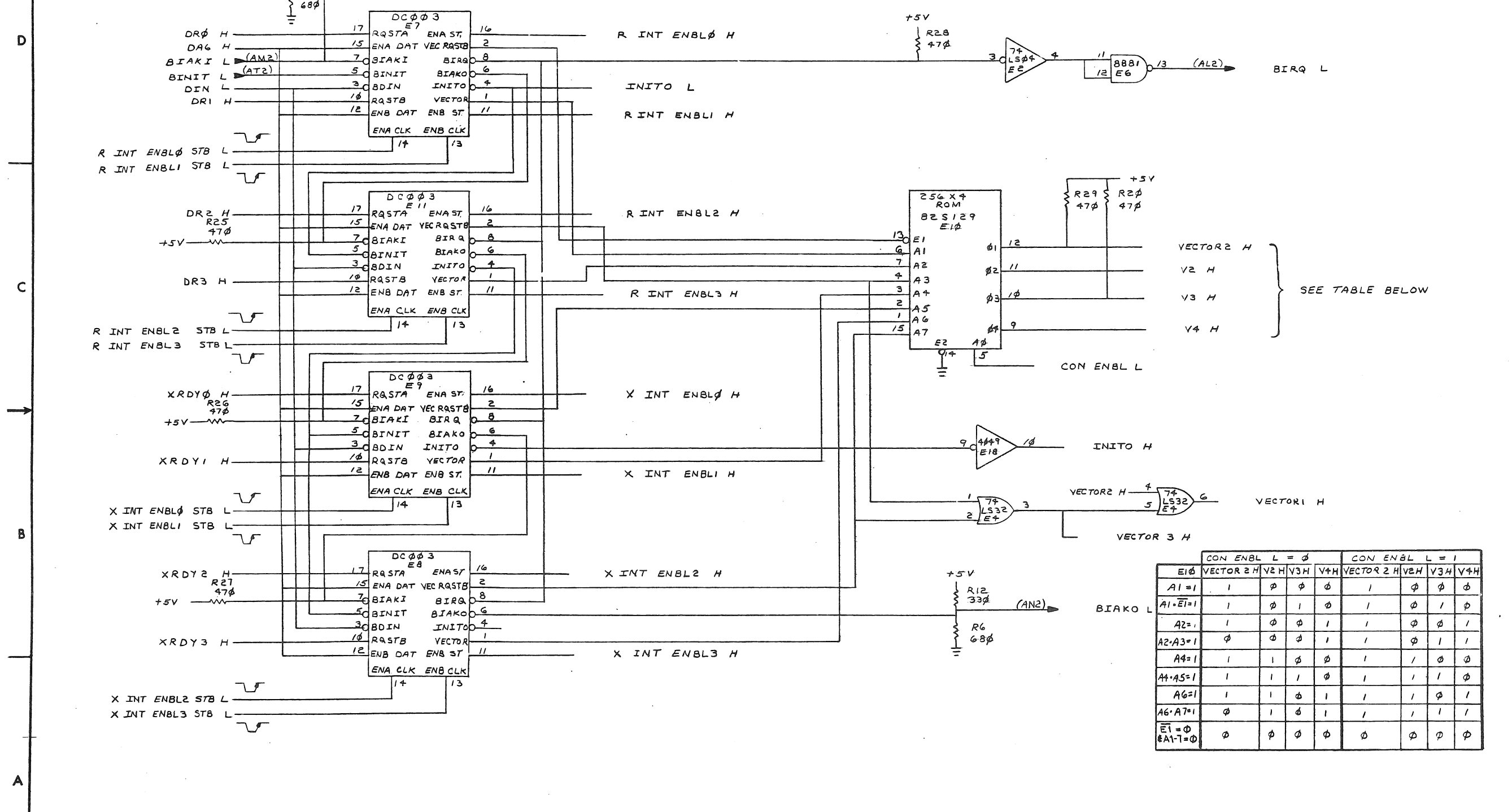
K3: ADDRESS LATCH AND REGISTER LOGIC

REVISIONS		
CHK	CHANGE NO.	REV.

TITLE	4 SERIAL LINE PER. CTRL.	SIZE CODE	D	NUMBER	M8043-0-1	REV.	M
SCALE	NONE	SHEET	3	OF	7	DIST.	

REV. M
NUMBER DCS M8043-0-1
SHEET 3 OF 7

"THIS DRAWING AND SPECIFICATIONS, HEREIN, ARE THE PROPERTY OF DIGITAL EQUIPMENT CORPORATION AND SHALL NOT BE REPRODUCED OR COPIED OR USED IN WHOLE OR IN PART AS THE BASIS FOR THE MANUFACTURE OR SALE OF ITEMS WITHOUT WRITTEN PERMISSION. COPYRIGHT © 1978 DIGITAL EQUIPMENT CORPORATION"



SEE TABLE BELOW

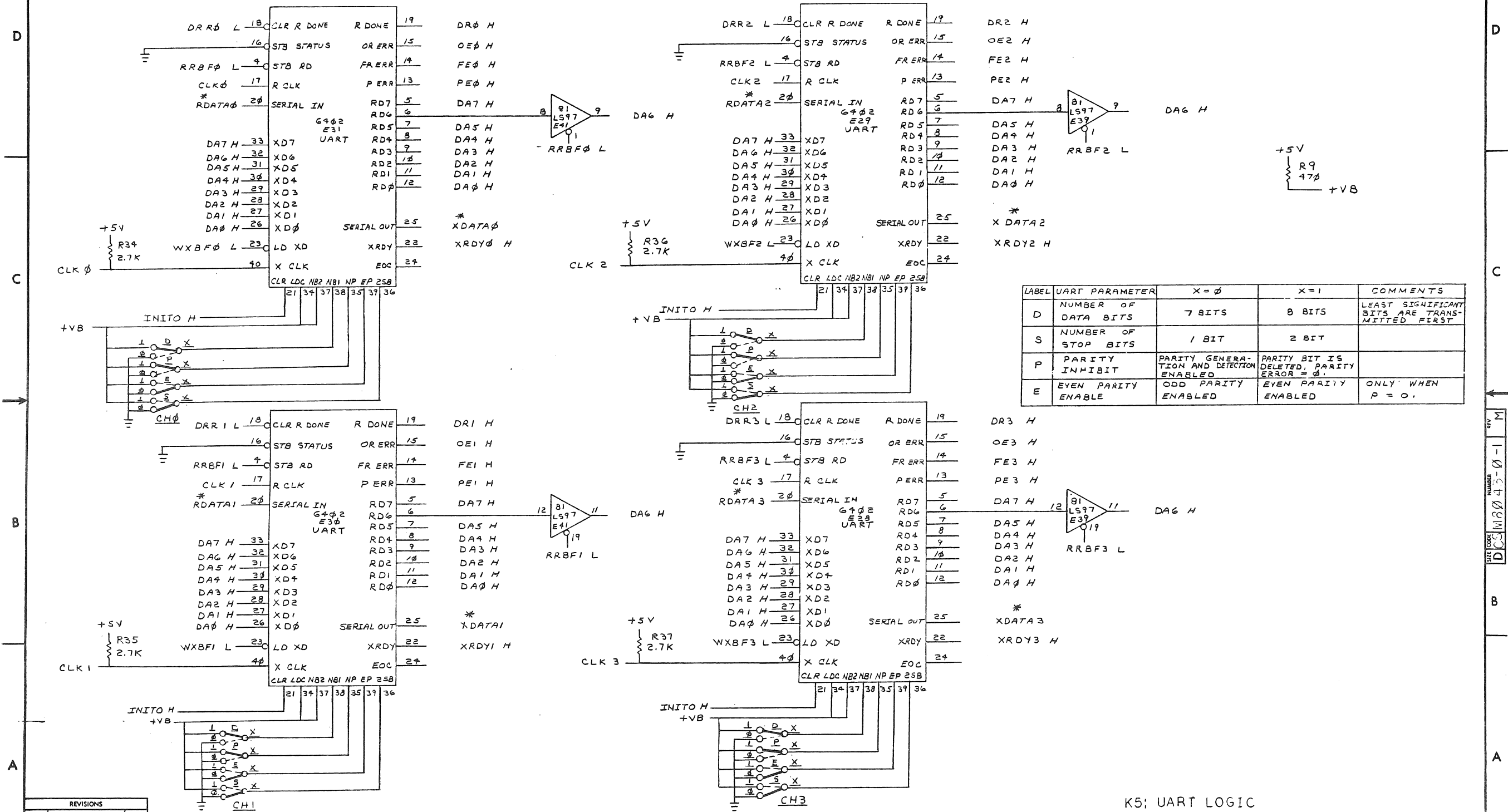
E10	CON ENBL L = 0				CON ENBL L = 1			
	VECTOR 2 H	V2 H	V3 H	V4 H	VECTOR 2 H	V2 H	V3 H	V4 H
A1=1	1	0	0	0	1	0	0	0
A1·E1=1	1	0	1	0	1	0	1	0
A2=1	1	0	0	1	1	0	0	1
A2·A3=1	0	0	0	1	1	0	1	1
A4=1	1	1	0	0	1	1	0	0
A4·A5=1	1	1	1	0	1	1	1	0
A6=1	1	1	0	1	1	1	0	1
A6·A7=1	0	1	0	1	1	1	1	1
E1=0 &A1-7=0	0	0	0	0	0	0	0	0

REVISIONS		
CHK	CHANGE NO.	REV.

K4: INTERRUPT, VECTOR AND INIT LOGIC
 TITLE 4 SERIAL LINE PER. CTLR.
 SCALE NONE SHEET 4 OF 7
 SIZE CODE NUMBER DCSM8043-0-1
 DIST. REV. M

"THIS DRAWING AND SPECIFICATIONS HEREIN ARE THE PROPERTY OF DIGITAL EQUIPMENT CORPORATION AND SHALL NOT BE REPRODUCED OR COPIED OR USED IN WHOLE OR IN PART AS THE BASIS FOR THE MANUFACTURE OR SALE OF ITEMS WITHOUT WRITTEN PERMISSION. COPYRIGHT © 1978 DIGITAL EQUIPMENT CORPORATION"

NOTES:
 * S, Y HIGH = MARK = 1
 Y LOW = SPACE = 0



LABEL	UART PARAMETER	X = 0	X = 1	COMMENTS
D	NUMBER OF DATA BITS	7 BITS	8 BITS	LEAST SIGNIFICANT BITS ARE TRANSMITTED FIRST
S	NUMBER OF STOP BITS	1 BIT	2 BIT	
P	PARITY INHIBIT	PARITY GENERATION AND DETECTION ENABLED	PARITY BIT IS DELETED, PARITY ERROR = 0	
E	EVEN PARITY ENABLE	ODD PARITY ENABLED	EVEN PARITY ENABLED	ONLY WHEN P = 0.

REVISIONS		
CHK	CHANGE NO.	REV.

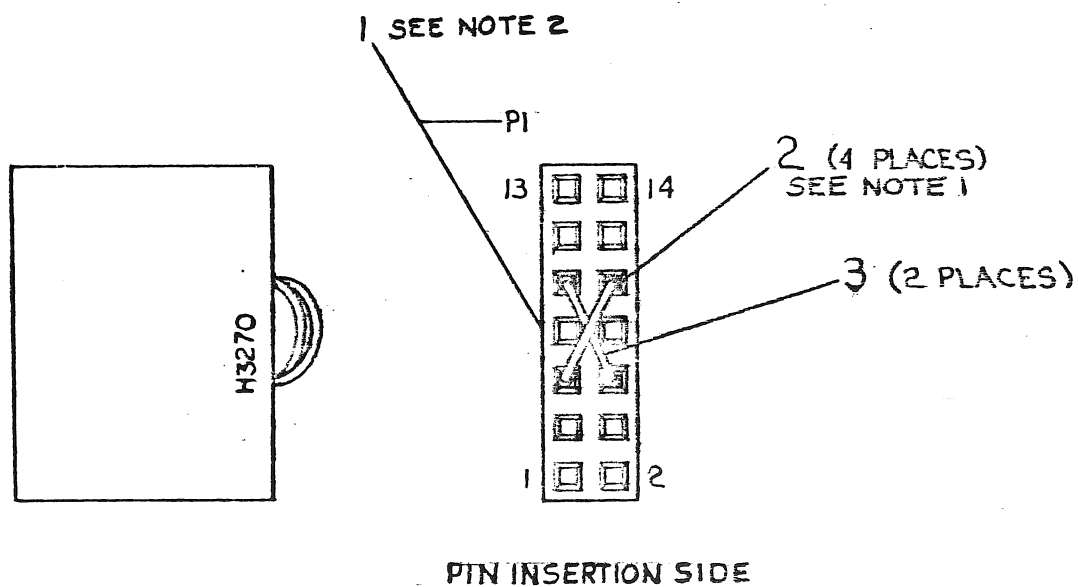
K5; UART LOGIC		TITLE	4 SERIAL LINE PER. CTLR.	SIZE CODE	NUMBER	REV.
SCALE	NONE	SHEET	5 OF 7	DIST.	DCS M8043-0-1	M

"THIS DRAWING AND SPECIFICATIONS, HEREIN, ARE THE PROPERTY OF DIGITAL EQUIPMENT CORPORATION AND SHALL NOT BE REPRODUCED OR COPIED OR USED IN WHOLE OR IN PART AS THE BASIS FOR THE MANUFACTURE OR SALE OF ITEMS WITHOUT WRITTEN PERMISSION. COPYRIGHT © 1974, DIGITAL EQUIPMENT CORPORATION"

WIRE TABLE							
ITEM NO.	DESCRIPTION		FROM		TO		WIRE LENGTH
	AWG	COLOR	CONNECTION	WITH	CONNECTION	WITH	
3	22	YEL	PI-5	2	PI-10	2	2"
3	22	YEL	PI-6	2	PI-9	2	2"

NOTES:

- 12-10089-06 MAY BE SUBSTITUTED FOR ITEM #2.
- MARK H3270 WITH WHITE INK USING .125 CHARACTER SIZE WITH LETTERS FACING UP.



CAUTION: OFFSHEET PARTS LIST EXISTS. REFER TO K-PL-H3270-0-DBP.

DESCRIPTION	DWG. PART NO.	ITEM NO.
1 LABEL CABLE	9009532	1
A/WIRE 22 AWG STRANDED YEL	2107350-14	3
4 CONN. SKT CRIMP	1210089-07	2
1 TERMINATOR HSG H POS	1210913-30	1

MANUFACTURE P1889	REV. A
DESIGN NO. H3270-0-DBP	REV. A
DATE 12/10/74	REV. A
C. GIROUARD	
C. Girouard	

THIRD ANGLE PROJECTION		UNLESS OTHERWISE SPECIFIED DIMENSIONS ARE IN INCHES	
CLASS OF ACCURACY	CHECK CASE	OVER 0 TO 1.2	OVER 1.2 TO 3.0
		±.004	±.008
SURFACE QUALITY	MICROSCOPES	OVER 3.0 TO 12.0	OVER 12.0 TO 80.0
		±.012	±.016
REMOVE BURRS AND BREAK SHARP CORNERS	DO NOT SCALE DWG	TITLE	
MATERIAL	FINISH	CONNECTOR, TEST	
SEE PARTS LIST	NONE	SIZE CODE	NUMBER
		C UA	H3270-0-0
		SHEET 1	OF 1

NUMBER H3270-0-0
 SIZE CODE CUA

