

TITLE	SHEET 2 OF 4	SIZE CODE	NUMBER	REV.
UNIT ASSY		B DD	11T23-B	A

FIND NO.	DRAWING NO.	DESCRIPTION	TYPE	FIND NO.	DRAWING NO.	DESCRIPTION	TYPE
1	MP01235	11T23-B PRINT SET ORDER NO (MP NO)	-	6	B-DD-DZV11-C	ASYN MUX	E/M
	B-TC-11T23-B-1	FIELD MAINTENANCE PRINT SET (TC)	-				
	B-PL-11T23-B	SHIPPING LIST 11T23-B	-				
	E-UA-11T23-B-0	UNIT ASSY 11T23B	E/M				
	K-PL-11T23-B-DBP	UNIT ASSY 11T23B (PARTS LIST)	E/M				
	C-MD-7419856-0-0	BRACKET RL01 SHIPPING	M	7	B-DD-RLV12-0	CONTROLLER	E/M
	A-DC-7416197-0-0	DECAL, UL LISTED EDP	E/M				
	A-PS-3617674-0-0	SERIAL TAG	E/M				
	A-PS-3613211-0-0	LABEL CSA	E/M				
	A-PS-3612680-0-0	LABEL GROUND	E/M				
	A-PS-3617880-0-0	LABEL FCC	E/M	8	B-DD-H349-0	PATCH PANEL ASSY	M
	A-PS-3618007-0-0	LABEL, FCC STATEMENT	M				
	A-PS-3619024-0-0	LABEL, WARNING	M				
	A-PS-3616667-0-0	LABEL, DEC DATA SYSTEM	M				
				9	B-DD-RL02-F	DISK DRIVE MTNG KIT + CARTRIDGE (RL02-AK)	E/M
2	B-DD-H9542-F	40 INCH FRAME ASSY	M				
				10	B-DD-H026-0	RL CABLE RETRACTOR	M
3	B-DD-11/23-B	UNIT ASSY 11/23B	E/M				
				11	B-DD-H9544-A	END PANEL ASSY (W/LOCK BRKT)	M
4	B-DD-874-0	874 PWR CONTROLLER	E/M				
				12	B-DD-H9544-C	H9544-C TRIM KIT	M
5	B-DD-KEF11-BB	DRAWING DIRECTORY KEF11-BB	E				
				13	B-DD-H9544-D	H9544-D BEZEL ASSY	M
				14	B-DD-H9544-H	H9544-H CABINET ACCESSORY KIT	M

TYPE: E ELECTRICAL
M MECHANICAL
E/M ELECTRO/MECHANICAL

digital

TITLE
11T23-B UNIT ASSY


SHEET 3 OF 4

SIZE CODE
B DD

NUMBER
11T23-B

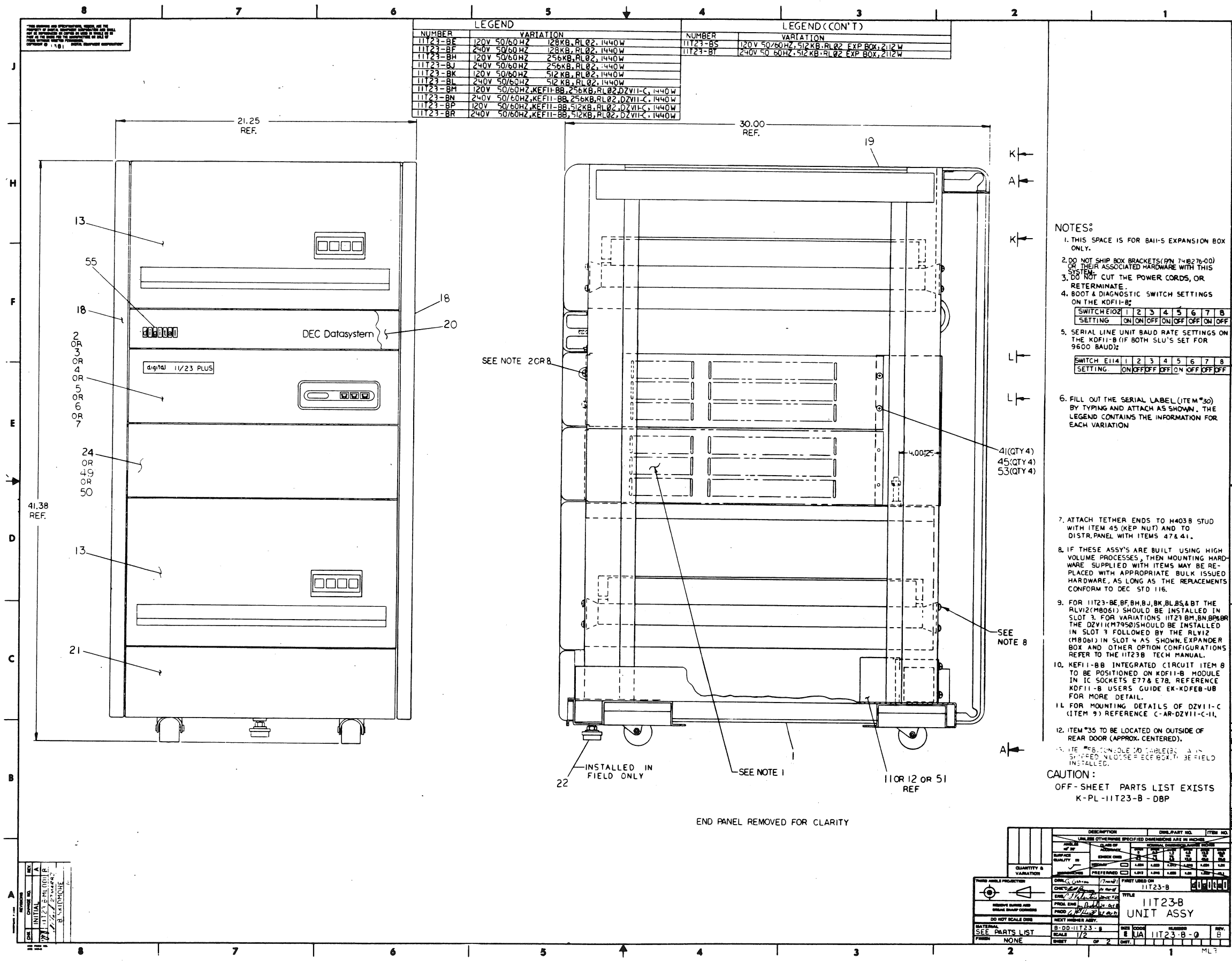
REV.
A

FIND NO.	DRAWING NO.	DESCRIPTION	TYPE	FIND NO.	DRAWING NO.	DESCRIPTION	TYPE
15	B-DD-H9544-B	H9544-B REAR DOOR	M				
16	A-PL-H9504-S-0	BEZEL BLANK (5.25)	M				
17	A-SP-3700436-0-0	PACKAGING INSTRUCTIONS	-				
18	C-IA-7018382-0-0	SENSE CABLE, SYSTEM	E/M				
	K-PL-7018382-0-DBP	SENSE CABLE, SYSTEM (PARTS LIST)	E/M				
	A-PS-3616073-0-0	LABEL, CABLE IDENTIFICATION	M				
19	B-DD-BALL-S	UNIT ASSY LOGIC BOX	E/M				
20	E-UA-BC21Z-0-0	I/O CABLE ASSY	E/M				
	K-PL-BC21Z-0-DBP	I/O CABLE ASSY (P.L.)	E/M				
21	C-IA-7019104-0-0	TROUGH, CABLE ASSY	M				
	K-PL-7019104-0-DBP	TROUGH, CABLE ASSY (P.L.)	M				
	C-MD-7426374-0-0	TROUGH, CABLE	M				

TYPE: E ELECTRICAL M MECHANICAL E/M ELECTRO/MECHANICAL		TITLE 11T23-B UNIT ASSY	SHEET 4 OF 4	SIZE CODE B DD	NUMBER 11T23-B	REV. A
--	---	----------------------------	--------------	-------------------	-------------------	-----------

DRB 108A

ML3



LEGEND	
NUMBER	VARIATION
11T23-BE	120V 50/60HZ 128KB, RL02, 1440W
11T23-BF	240V 50/60HZ 128KB, RL02, 1440W
11T23-BH	120V 50/60HZ 256KB, RL02, 1440W
11T23-BJ	240V 50/60HZ 256KB, RL02, 1440W
11T23-BK	120V 50/60HZ 512KB, RL02, 1440W
11T23-BL	240V 50/60HZ 512KB, RL02, 1440W
11T23-BM	120V 50/60HZ KEF11-BB, 256KB, RL02, DZV11-C, 1440W
11T23-BN	240V 50/60HZ KEF11-BB, 256KB, RL02, DZV11-C, 1440W
11T23-BP	120V 50/60HZ KEF11-BB, 512KB, RL02, DZV11-C, 1440W
11T23-BR	240V 50/60HZ KEF11-BB, 512KB, RL02, DZV11-C, 1440W

LEGEND (CON'T)	
NUMBER	VARIATION
11T23-BS	120V 50/60HZ, 512KB, RL02 EXP BOX, 2112W
11T23-BT	240V 50/60HZ, 512KB, RL02 EXP BOX, 2112W

- NOTES:
- THIS SPACE IS FOR B11-S EXPANSION BOX ONLY.
 - DO NOT SHIP BOX BRACKETS (PN 748276-00) OR THEIR ASSOCIATED HARDWARE WITH THIS SYSTEM.
 - DO NOT CUT THE POWER CORDS, OR RE-TERMINATE.
 - BOOT & DIAGNOSTIC SWITCH SETTINGS ON THE KDF11-B:

SWITCH E102	1	2	3	4	5	6	7	8
SETTING	ON	ON	OFF	ON	OFF	OFF	ON	OFF
 - SERIAL LINE UNIT BAUD RATE SETTINGS ON THE KDF11-B (IF BOTH SLU'S SET FOR 9600 BAUD):

SWITCH E114	1	2	3	4	5	6	7	8
SETTING	ON	OFF	OFF	OFF	OFF	OFF	OFF	OFF
 - FILL OUT THE SERIAL LABEL (ITEM 36) BY TYPING AND ATTACH AS SHOWN. THE LEGEND CONTAINS THE INFORMATION FOR EACH VARIATION.
 - ATTACH TETHER ENDS TO H403B STUD WITH ITEM 45 (KEP NUT) AND TO DISTR. PANEL WITH ITEMS 47 & 41.
 - IF THESE ASSY'S ARE BUILT USING HIGH VOLUME PROCESSES, THEN MOUNTING HARDWARE SUPPLIED WITH ITEMS MAY BE REPLACED WITH APPROPRIATE BULK ISSUED HARDWARE, AS LONG AS THE REPLACEMENTS CONFORM TO DEC STD 116.
 - FOR 11T23-BE, BF, BH, BJ, BK, BL, BS & BT THE RLV2 (M8061) SHOULD BE INSTALLED IN SLOT 3. FOR VARIATIONS 11T23-BM, BN, BP & BR THE DZV11 (M795015) SHOULD BE INSTALLED IN SLOT 3 FOLLOWED BY THE RLV2 (M8061) IN SLOT 4 AS SHOWN. EXPANDER BOX AND OTHER OPTION CONFIGURATIONS REFER TO THE 11T23B TECH MANUAL.
 - KEF11-BB INTEGRATED CIRCUIT ITEM 8 TO BE POSITIONED ON KDF11-B MODULE IN IC SOCKETS E77 & E78. REFERENCE KDF11-B USERS GUIDE EK-KDFEB-UB FOR MORE DETAIL.
 - FOR MOUNTING DETAILS OF DZV11-C (ITEM 9) REFERENCE C-AR-DZV11-C-11.
 - ITEM 35 TO BE LOCATED ON OUTSIDE OF REAR DOOR (APPROX. CENTERED).
 - ITEM 36, CONSOLE TO CHAIR (30" x 14" SHIPPED IN LOGO EXP BOX), TO BE FIELD INSTALLED.
- CAUTION:
OFF-SHEET PARTS LIST EXISTS
K-PL-11T23-B-DBP

INITIALS	DATE

DESCRIPTION	11T23-B
UNIT ASSY	
QUANTITY & VARIATION	1
DATE	11/23/80
SCALE	1/2
DRY	

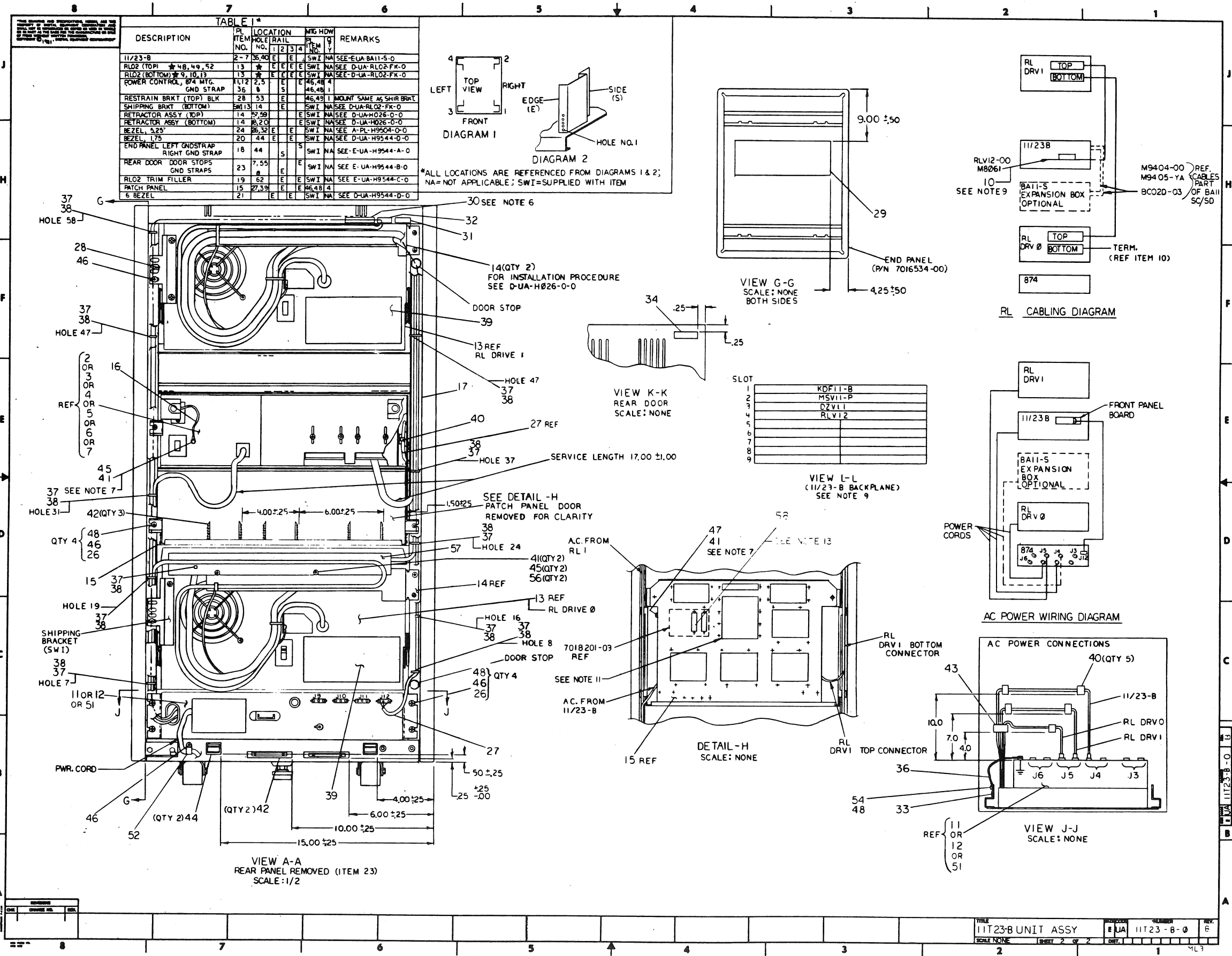
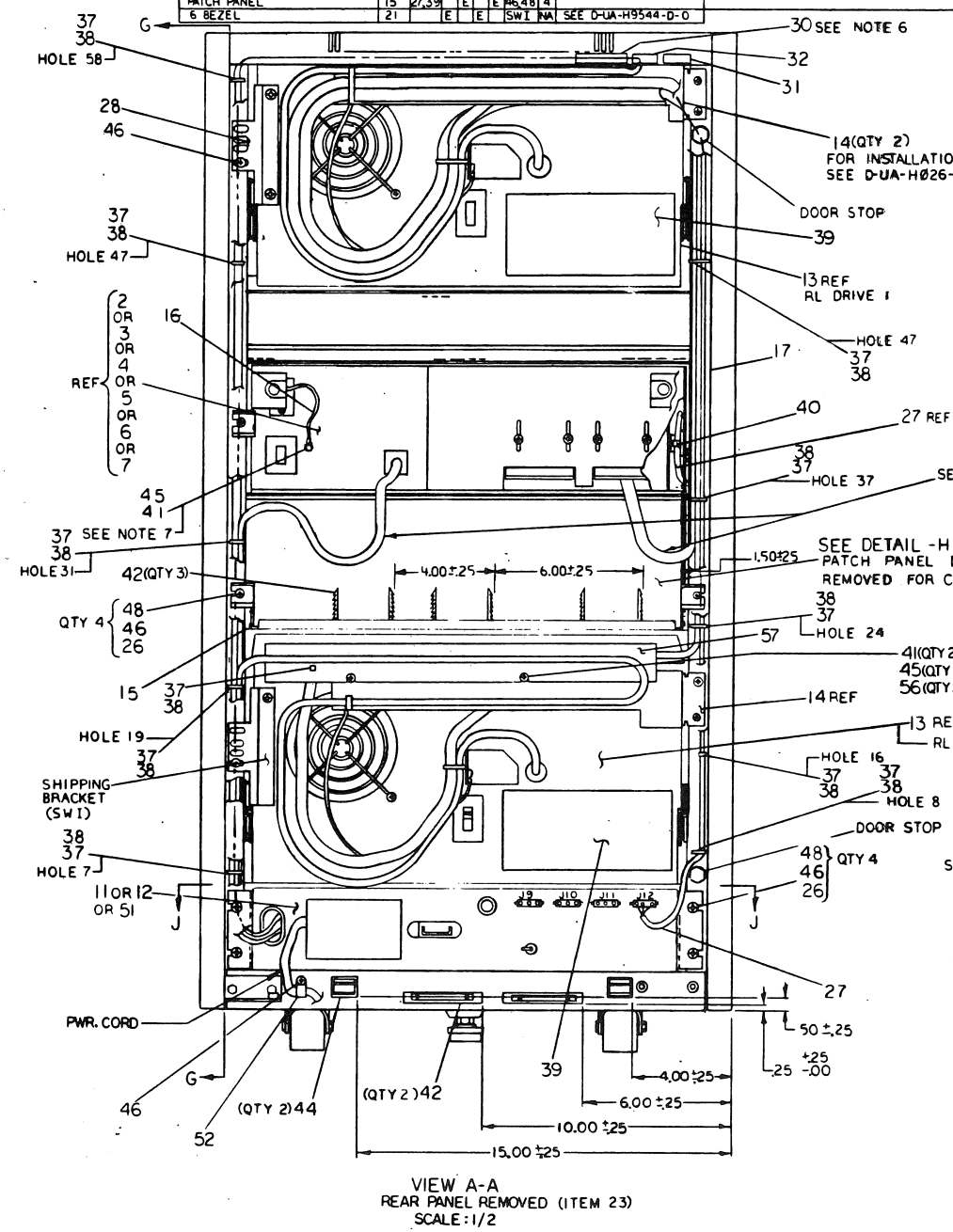
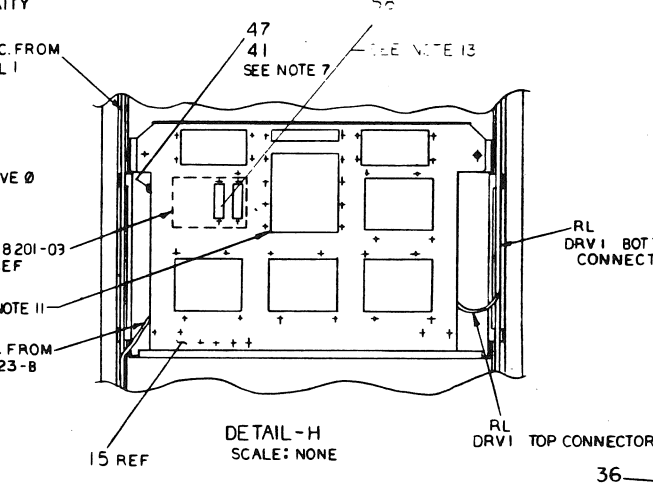
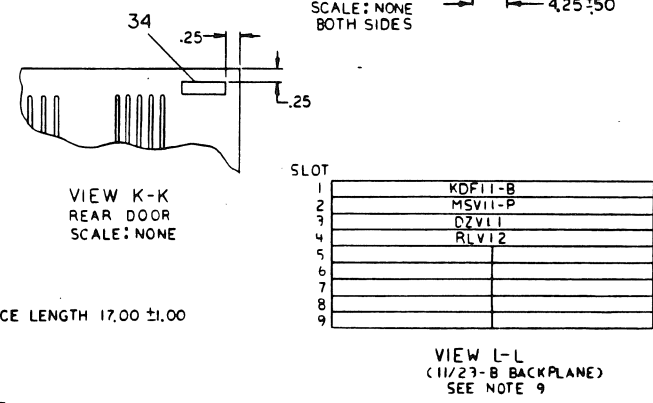
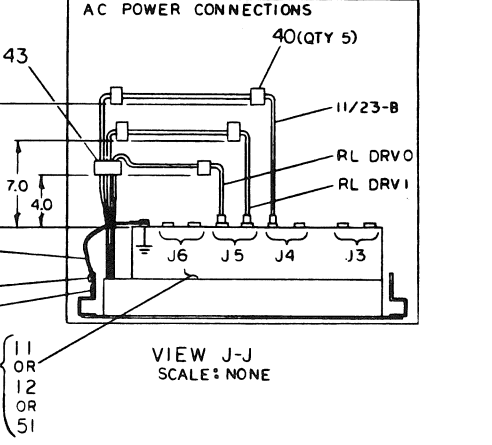
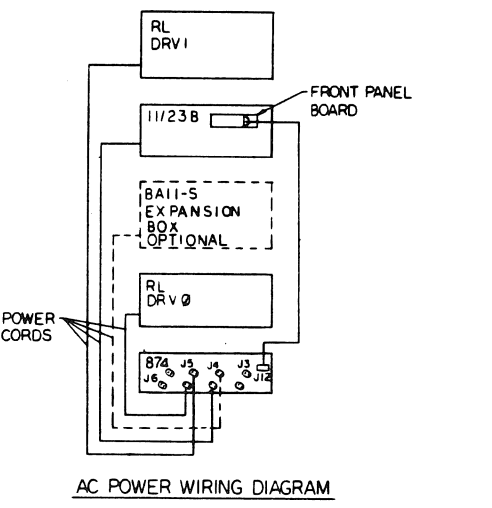
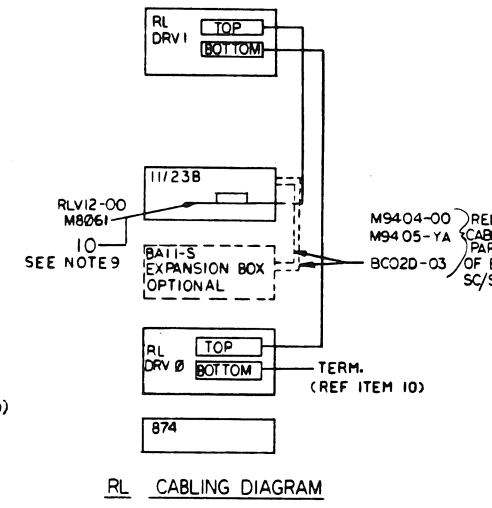
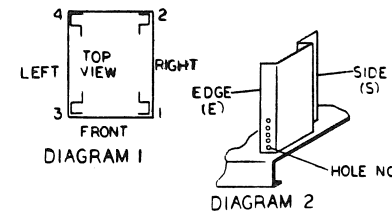


TABLE 1*

DESCRIPTION	PL ITEM NO.	LOCATION				MFG HOW	REMARKS	
		HOLE NO.	RAIL NO.	ITEM NO.	ITEM NO.			
11/23-B	2-7	35,40	E	E	SWI	NA	SEE E-UA-B11-5-0	
RLD2 (TOP)	48, 49, 52	13	*	E	E	SWI	NA	SEE D-UA-RLD2-FK-0
RLD2 (BOTTOM)	9, 10, 13	13	*	E	E	SWI	NA	SEE D-UA-RLD2-FK-0
POWER CONTROL, 874 MFG. GND STRAP	35	8	E	E	SWI	NA	SEE D-UA-RLD2-FK-0	
RESTRAIN BRKT (TOP) BLK	28	53	E	E	SWI	NA	MOUNT SAME AS SHIR BRKT	
SHIPPING BRKT (BOTTOM)	SWI 13	14	E	E	SWI	NA	SEE D-UA-RLD2-FK-0	
RETRACTOR ASSY (TOP)	14	59, 59	E	E	SWI	NA	SEE D-UA-H026-0-0	
RETRACTOR ASSY (BOTTOM)	14	6, 20	E	E	SWI	NA	SEE D-UA-H026-0-0	
BEZEL, 1.25"	24	26, 32	E	E	SWI	NA	SEE A-PL-H9504-0-0	
BEZEL, 1.75"	20	44	E	E	SWI	NA	SEE D-UA-H9544-0-0	
END PANEL LEFT GND STRAP	18	44	E	E	SWI	NA	SEE E-UA-H9544-A-0	
REAR DOOR DOOR STOPS GND STRAPS	23	7, 55	E	E	SWI	NA	SEE E-UA-H9544-B-0	
RLD2 TRIM FILLER	19	62	E	E	SWI	NA	SEE E-UA-H9544-C-0	
PATCH PANEL	15	27, 39	E	E	SWI	NA	SEE E-UA-H9544-D-0	
6 BEZEL	21	E	E	E	SWI	NA	SEE D-UA-H9544-D-0	

*ALL LOCATIONS ARE REFERENCED FROM DIAGRAMS 1 & 2;
NA=NOT APPLICABLE; SWI=SUPPLIED WITH ITEM



LINE	ITEM	DOCUMENT NUMBER	PART NUMBER	DESCRIPTION	QUANTITY PER VARIATION											
					BE	BF	BH	BJ	BK	BL	BM	BN	BP	BR	BS	BT
1	1	E-UA-H9542-F-0	H9542-FB	40" 10.5" TOP LOADING CAB FRAME	1	1	1	1	1	1	1	1	1	1	1	1
2	2	E-UA-11/23-B-0	11/23-BA	KDF11-BA,MSV11-PF,BA11-SA,120V (1	-	-	-	-	-	-	-	-	-	-	-
3	3	E-UA-11/23-B-0	11/23-BB	KDF11-BA,MSV11-PF,BA11-SB,240V (-	1	-	-	-	-	-	-	-	-	-	-
4	4	E-UA-11/23-B-0	11/23-BC	KDF11-BA,MSV11-PK,BA11-SA,120V (-	-	1	-	-	-	1	-	-	-	-	-
5	5	E-UA-11/23-B-0	11/23-BD	KDF11-BA,MSV11-PK,BA11-SB,240V (-	-	-	1	-	-	-	1	-	-	-	-
6	6	E-UA-11/23-B-0	11/23-BE	KDF11-BA,MSV11-PL,BA11-SA,120V (-	-	-	-	1	-	-	-	1	-	1	-
7	7	E-UA-11/23-B-0	11/23-BF	KDF11-BA,MSV11-PL,BA11-SB,240V(5	-	-	-	-	-	1	-	-	-	1	-	1
8	8	K-PL-KEF11-B-DBP	KEF11-BB	HYBRID CIS MICROCODE CHIP (HYBRI	-	-	-	-	-	-	1	1	1	1	-	-
9	9	D-UA-DZV11-0-0	DZV11-C	DZV11-A,70-18203 PANEL,H325,H329	1	1	1	1	1	1	1	1	1	1	1	1
10	10	E-UA-RLV12-0-0	RLV12-00	EXTEND ADDRESS RLO1/2 CONT (M806	1	-	1	-	1	-	1	-	1	-	-	-
11	11	E-UA-874-0-0	00874-A	120V 12A FILTERED POWER CONT,6 S	-	1	-	1	-	1	-	1	-	1	-	1
12	12	E-UA-874-0-0	00874-B	220-240V 12A FILTERED PWR CONT,6	2	2	2	2	2	2	2	2	2	2	2	2
13	13	E-UA-RL02-F-0	ORL02-FK	RL02-F + RL02K-DC,120V/240V	2	2	2	2	2	2	2	2	2	2	2	2
14	14	D-UA-H026-0-0	OH026-00	CABLE RETRACTOR FOR RLO1,RLO2	1	1	1	1	1	1	1	1	1	1	1	1
15	15	E-UA-H349-0-0	OH349-00	PATCH & FILTER PANEL FOR 11T23-B	1	1	1	1	1	1	1	1	1	1	1	1
16	16		1215700-06	CABLE ASSY,NYLON 17.5"LG	1	1	1	1	1	1	1	1	1	1	2	2
17	17	E-UA-BC21Z-0-0	BC21Z-0B	SHIELDED I/O CABLE,RLO1/RLO2,PAS	1	1	1	1	1	1	1	1	1	1	1	1
18	18	E-UA-H9544-A-0	H9544-AA	40"END PANEL,GREY FRAME,DARK BRO	2	2	2	2	2	2	2	2	2	2	2	2
19	19	D-UA-H9544-C-0	H9544-CA	RLO1/RLO2 TRIM FILLER STRIP KIT	1	1	1	1	1	1	1	1	1	1	1	1
20	20	D-UA-H9544-D-0	H9544-DA	1.75" BEZEL ASSY FOR H9642	1	1	1	1	1	1	1	1	1	1	1	1
21	21	D-UA-H9544-D-0	H9544-DB	6"X19" FRONT COVER FOR BOTTOM OF	1	1	1	1	1	1	1	1	1	1	1	1
22	22	E-UA-H9544-H-0	H9544-HA	KIT OF 4 LEVELERS,1 PULL-OUT STA	1	1	1	1	1	1	1	1	1	1	1	1
23	23	E-UA-H9544-B-0	H9544-BA	40" REAR DOOR W LOCK, FULLY LOUV	1	1	1	1	1	1	1	1	1	1	1	1
24	24	A-PL-H9504-S-0	H9504-SC	5 1/4" BLANK FRONT PANEL,68 GREY	1	1	1	1	1	1	1	1	1	1	-	-
25	25		3700436-08	CAB H9642 REPLACES VAR. 00, 01,	1	1	1	1	1	1	1	1	1	1	1	1
26	26		9006668-00	WASHR,FLAT 5/8 ODX 13/64IDX.032	8	8	8	8	8	8	8	8	8	8	8	8
27	27	C-IA-7018382-0-0	7018382-04	SENSE CABLE SYSTEM	1	1	1	1	1	1	1	1	1	1	1	1
28	28	C-MD-7419856-0-0	7419856-01	BRKT,RLO1 SHIPPING BLACK	1	1	1	1	1	1	1	1	1	1	1	1
29	29		9008479-00	FOAM, POLYURETHANE, 21.50" X 14.	2	2	2	2	2	2	2	2	2	2	2	2
30	30		3617674-00	LABEL,SERIAL & POWER,UNIVERSAL	1	1	1	1	1	1	1	1	1	1	1	1

REVISION HISTORY			BASIC PART NO: 11T23			DRN: G. GRAVES <i>GG</i>			DATE: 18-MAR-81			D I G I T A L		
ENG	ECD NUMBER	REV	SECTION A OF A			CHK'D: B. BROWN <i>B.B.</i>			DATE: 20-OCT-81			TITLE PARTS LIST		
	INITIAL	A	SECTION. VARIATION INDEX			[A] BE,BF,BH,BJ,BK,BL, BM,BN,BP,BR,BS,BT			DATE: 20-OCT-81			UNIT ASSY 11T23B		
			[B]			DES.ENG.: C. VALENTINE <i>CV</i>			DATE: 20-OCT-81			DOCUMENT NUMBER		
			[C]			RESP.ENG.: J. NICHOLS <i>JN</i>			DATE: 20-OCT-81			SIZE CODE NUMBER REV		
			[D]			MFG.ENG.: W. HALL <i>WH</i>			DATE: 29-OCT-81			K PL 11T23-B-DBP A		
			[E]			ASSEMBLY NUMBER:			TOP DOCUMENT NUMBER:			FILE NAME: EDIT #		
			[F]			E-UA-11T23-B-0			#B-DD-11T23-B			Z2405A.PLS 28		
<p>"THIS DRAWING AND SPECIFICATIONS HEREIN, ARE THE PROPERTY OF DIGITAL EQUIPMENT CORPORATION AND SHALL NOT BE REPRODUCED OR COPIED OR USED IN WHOLE OR IN PART AS THE BASIS FOR THE MANUFACTURE OR SALE OF ITEMS WITHOUT WRITTEN PERMISSION. COPYRIGHT (C) 1981. DIGITAL EQUIPMENT CORPORATION"</p>														

LINE	ITEM	DOCUMENT NUMBER	PART NUMBER	DESCRIPTION	QUANTITY PER VARIATION													
					BE	BF	BH	BJ	BK	BL	BM	BN	BP	BR	BS	BT		
31	31		3613211-01	DECAL,CLEAR PREPRINTED CSA 1-1/4	1	1	1	1	1	1	1	1	1	1	1	1	1	1
32	32	A-DC-7416197-0-0	7416197-01	DECAL	1	1	1	1	1	1	1	1	1	1	1	1	1	
33	33		3612680-01	DECAL, GROUND SIGN PER 356 *	1	1	1	1	1	1	1	1	1	1	1	1	1	
34	34		3617880-02	LABEL,FCC CLASS A PROCESSOR	1	1	1	1	1	1	1	1	1	1	1	1	1	
35	35		3618307-05	ASSY,04,01	1	1	1	1	1	1	1	1	1	1	1	1	1	
36	36		1213756-12	GROUND STRAP	1	1	1	1	1	1	1	1	1	1	1	1	1	
37	37		9007867-00	MOUNT, PUSH,CABLE TIE	11	11	11	11	11	11	11	11	11	11	11	11	11	
38	38		9007032-00	TIE,CABLE BUNDL.DIA 0-1-3/4"=101	11	11	11	11	11	11	11	11	11	11	11	11	11	
39	39		3619024-01	LABEL,WARNING 4 LANGUAGES F/RL02	2	2	2	2	2	2	2	2	2	2	2	2	2	
40	40		1218912-00	CLIP,CABLE 1/2	6	6	6	6	6	6	6	6	6	6	6	6	6	
41	41		9006660-00	WASHER, FLAT, .375 O.D. X .187 I	8	8	8	8	8	8	8	8	8	8	8	12	12	
42	42		1219059-00	CLIP,FLAT CABLE 2.45"W	5	5	5	5	5	5	5	5	5	5	5	5	5	
43	43		1218912-01	CLIP,CABLE 3/4	1	1	1	1	1	1	1	1	1	1	1	1	1	
44	44		1218912-02	CLIP,CABLE 1"	1	1	1	1	1	1	1	1	1	1	1	1	1	
45	45		9006563-00	NUT,KEP 8-32X 11/13AF	7	7	7	7	7	7	7	7	7	7	11	11	11	
46	46		9009700-00	SCREW,TRUS,PHIL,SEMS10-32X .500L	10	10	10	10	10	10	10	10	10	10	10	10	10	
47	47		9010174-03	SCREW,PAN,PHIL,SEMS 6-32X .50 L	1	1	1	1	1	1	1	1	1	1	1	1	1	
48	48		9007786-00	RETAINER, U-NUT, 10-32	10	10	10	10	10	10	10	10	10	10	10	10	10	
49	49	E-UA-BA11-S-0	OBA11-SC	BA11-SA,M9404,M9405-YA,2 BC02D-0	-	-	-	-	-	-	-	-	-	-	-	1	-	
50	50	E-UA-BA11-S-0	OBA11-SD	BA11-SB,M9404,M9405-YA,2 BC02D-0	-	-	-	-	-	-	-	-	-	-	-	-	1	
51	51	E-UA-B74-0-0	00874-C	120V 16A FILTERED POWER CONT,6 S	-	-	-	-	-	-	-	-	-	-	-	1	-	
52	52		9007082-00	CLAMP,CABLE,SCREW MTD. 5/16"	1	1	1	1	1	1	1	1	1	1	1	1	1	
53	53		9009759-00	SCREW,FLAT,PHIL, 8-32X 3/8	4	4	4	4	4	4	4	4	4	4	4	8	8	
54	54		9010156-00	SCREW,HEX,SLOT,SEMS 10-32X .500L	1	1	1	1	1	1	1	1	1	1	1	1	1	
55	55		3616667-00	LABEL,DEC DATA SYS.DOOR	-	-	-	-	-	-	-	1	1	1	1	-	-	
56	56		9000049-27	SCREW,PAN,PHIL,SEM IN8-32X .375L	2	2	2	2	2	2	2	2	2	2	2	2	2	
57	57	C-IA-7019104-0-0	7019104-00	CABLE TROUGH ASSY	1	1	1	1	1	1	1	1	1	1	1	1	1	

58 NOTE: PACKAGING INFORMATION FOR THIS UNIT TO BE FOUND ON 3700436-08 (REF).

! D ! I ! G ! I ! T ! A ! L !	! TITLE !	! SECTION A OF A !	! SIZE ! CODE !	! DOCUMENT NUMBER !	! REV !
	UNIT ASSY 11T23B		K ! PL !	11T23-B-DBP	A



PARTS LIST

QUANTITY / VARIATION

NOTES:

DRN. G. GRAVES	DES. ENG. C. VALENTINE	MFG. ENG. W. HALL
DATE 17 MAR. 81	DATE 29 OCT. 81	DATE 29 OCT. 81

CHK'D. B. BROWN	RESP. ENG. J. NICHOLS	NEXT HIGHER DOC.
DATE 29 OCT. 81	DATE 29 OCT. 81	B-DD-11T23-B

ITEM NO.	DRAWING NO.	PART NO.	DESCRIPTION	QUANTITY / VARIATION											REFERENCE DESIGNATORS		
				11T23-BE	11T23-BF	11T23-BH	11T23-BJ	11T23-BK	11T23-BL	11T23-BM	11T23-BN	11T23-BP	11T23-BR	11T23-BS		11T23-BT	
1	B-TC-11T23-B-1	MP 01235	FIELD MAINTENANCE PRINT SET 11T23B	1	1	1	1	1	1	1	1	1	1	1	1	1	
2	B-TC-11/23-B-1	MP01234	11/23B FIELD MAINTENANCE PRINT SET	1	1	1	1	1	1	1	1	1	1	1	1	1	
3	B-TC-874-0-1	MP00698	874 FIELD MAINTENANCE PRINT SET	1	1	1	1	1	1	1	1	1	1	1	1	1	
4	B-TC-RLV12-0-1	MP01282	RLV12 FIELD MAINTENANCE PRINT SET	1	1	1	1	1	1	1	1	1	1	1	1	1	
5	B-TC-RL02-F-1	MP01332	RL02-F FIELD MAINTENANCE PRINT SET	1	1	1	1	1	1	1	1	1	1	1	1	1	
6	B-TC-KEF11-B-1	MP00860	KEF11-B FIELD MAINTENANCE PRINT SET	-	-	-	-	-	-	1	1	1	1	-	-	-	
7	B-TC-DZV11-0-1	MP00462	DZV11 FIELD MAINTENANCE PRINT SET	-	-	-	-	-	-	1	1	1	1	-	-	-	
8	B-TC-BALL-S-1	MP01233	BALL-S FIELD MAINTENANCE PRINT SET	1	1	1	1	1	1	1	1	1	1	1	1	1	
9	B-TC-KDF11-B-1	MP01236	KDF11-B FIELD MAINTENANCE PRINT SET	1	1	1	1	1	1	1	1	1	1	1	1	1	
10	B-TC-MSV11-P-1	MP01239	MSV11-P FIELD MAINTENANCE PRINT SET	1	1	1	1	1	1	1	1	1	1	1	1	1	
11		EK- 1T23B-OP	PDP-11T23 PLUS SYSTEM MANUAL	1	1	1	1	1	1	1	1	1	1	1	1	1	
12		EK-23BMB-UG	11/23-B MOUNTING BOX TECHNICAL MANUAL	1	1	1	1	1	1	1	1	1	1	1	1	1	
13		EK-KDFIB-UG	KDF11-B USER'S GUIDE	1	1	1	1	1	1	1	1	1	1	1	1	1	
14		EK-MSVOP-UG	MSV11-P USER'S GUIDE	1	1	1	1	1	1	1	1	1	1	1	1	1	
15		EK-RLV12-U	RLV12 DISK CONTROLLER USER'S GUIDE	1	1	1	1	1	1	1	1	1	1	1	1	1	
16		EK-RL012-UG	RL01/RL02 DISK SUBSYSTEM USER'S GUIDE	1	1	1	1	1	1	1	1	1	1	1	1	1	
17		EB-20175-20	MICROCOMPUTER INTERFACES HANDBOOK	1	1	1	1	1	1	1	1	1	1	1	1	1	
		ZJ278-RH	DIAGNOSTIC KIT	1	1	1	1	1	1	1	1	1	1	1	1	1	

EQUIPMENT INIT

"THIS DRAWING AND SPECIFICATIONS, HEREIN, ARE THE PROPERTY OF DIGITAL EQUIPMENT CORPORATION AND SHALL NOT BE REPRODUCED OR COPIED OR USED IN WHOLE OR IN PART AS THE BASIS FOR THE MANUFACTURE OR SALE OF ITEMS WITHOUT WRITTEN PERMISSION. COPYRIGHT © 1981 DIGITAL EQUIPMENT CORPORATION"	TITLE	ASSY. NO.	SIZE	CODE	NUMBER	REV.
	SHIPPING LIST 11T23-B	NONE	B	PL	11T23-B	A
		SECTION 1 OF 1			SHEET 1 OF 1	

"THE MATERIAL HEREIN IS FOR INFORMATION PURPOSES ONLY AND IS SUBJECT TO CHANGE WITHOUT NOTICE. DIGITAL EQUIPMENT CORPORATION ASSUMES NO RESPONSIBILITY FOR ANY ERRORS WHICH MAY APPEAR HEREIN."

FIELD MAINTENANCE PRINT SET

"THIS DRAWING AND SPECIFICATIONS, HEREIN, ARE THE PROPERTY OF DIGITAL EQUIPMENT CORPORATION AND SHALL NOT BE REPRODUCED OR COPIED OR USED IN WHOLE OR IN PART AS THE BASIS FOR THE MANUFACTURE OR SALE OF ITEMS WITHOUT WRITTEN PERMISSION. COPYRIGHT © DIGITAL EQUIPMENT CORPORATION." 1981

TABLE OF CONTENTS

B-TC-H349-0-1	PATCH PANEL ASSY (TABLE OF CONTENTS)
E-UA-H349-0-0	PATCH PANEL ASSY
K-PL-H349-0-DBP	PATCH PANEL ASSY (PARTS LIST)
B-DD-H349-0	PATCH PANEL ASSY (DRAWING DIRECTORY ONLY)
D-IA-7018201-0-0	FILTER CABLE ASSY
K-PL-7018201-0-DBP	FILTER CABLE ASSY (PARTS LIST)
D-UA-5413939-1-0	KDF11-B DISTRIBUTION PANEL
K-PL-5413939-1-0	KDF11-B DISTRIBUTION PANEL
D-CS-5413939-1-1	KDF11-B DISTRIBUTION PANEL
C-UA-H315-B-0	TEST CONN. (DATA ONLY)

UNIT VARIATIONS COVERED BY THIS PRINT SET
H349-00

**H349-0
Field Maintenance
Print Set**

**Digital Equipment
Corporation**

Print Set Part Number **MP-** 01240

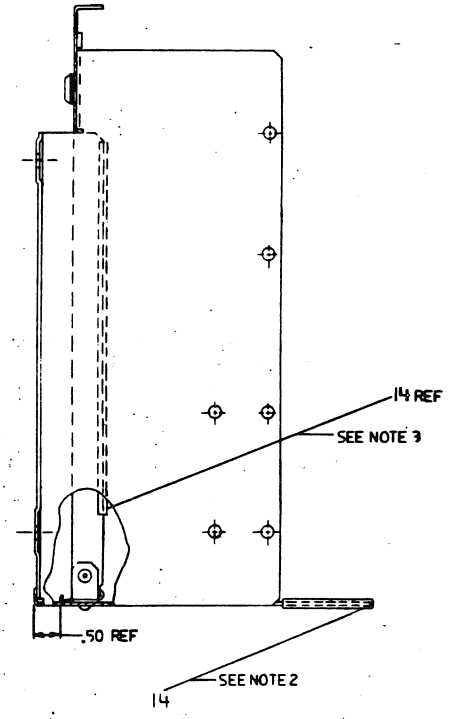
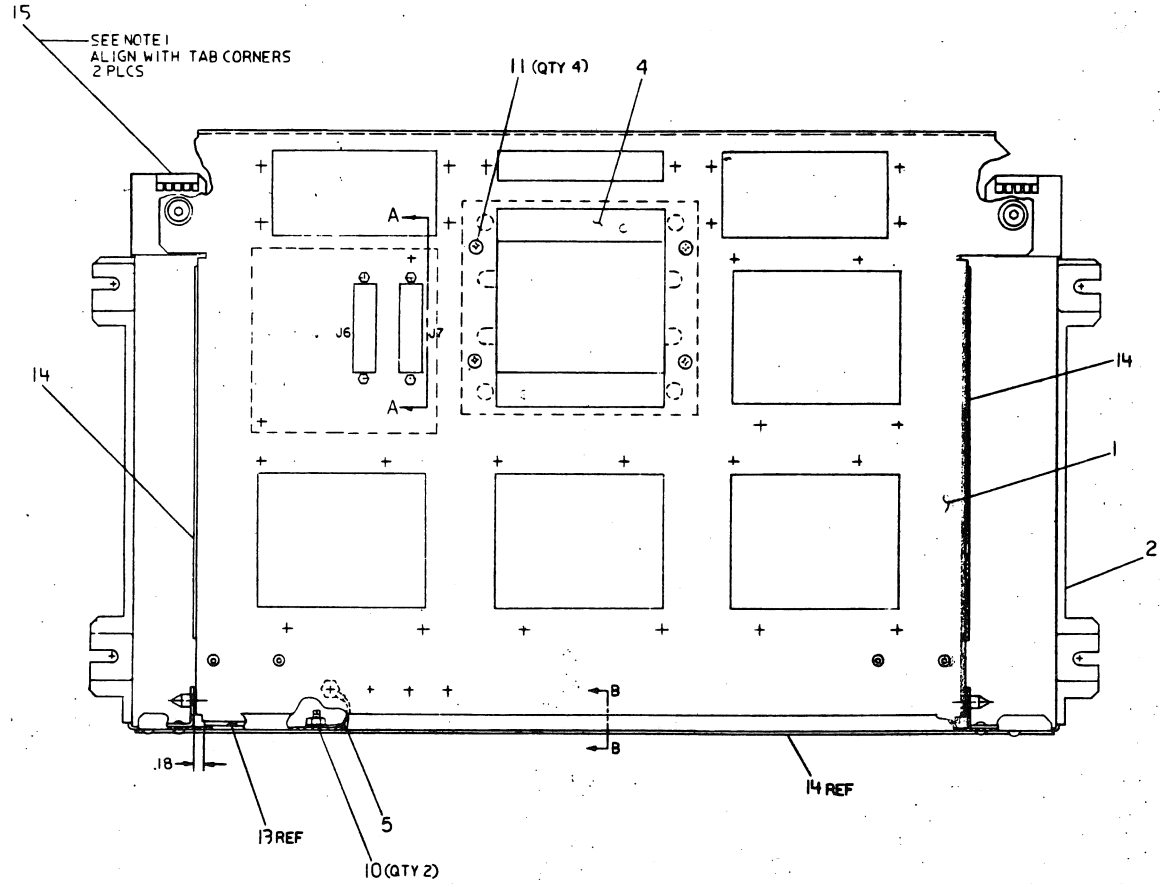
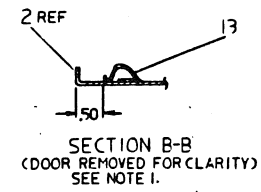
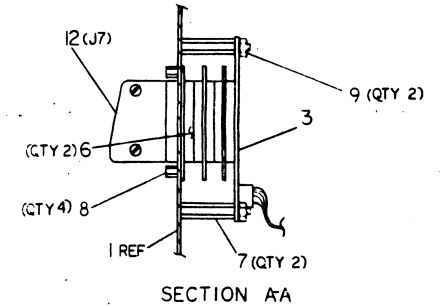
REV. A
NUMBER H349-0-1
SIZE CODE B TC

REVISION HISTORY	REV.	A		DRN. G. GRAVES	DATE 27 APR 81	TITLE digital PATCH PANEL ASSY (TABLE OF CONTENTS)	
	ECO NUMBER	INITIAL		CHK'D. <i>Bill Brown</i>	DATE 17-Nov-81		
	DATE			DES. ENG. <i>Thomas E. Pitrone</i>	DATE 8-OCT-81		
				RESP. ENG. <i>C. A. Valentini</i>	DATE 8-OCT-81		
				FIELD SERVICE <i>Tom Thomas</i>	DATE 8-OCT-81	DOCUMENT NUMBER	
				NEXT HIGHER DOC. B-DD-H349-0			SIZE CODE B TC
					NUMBER H349-0-1	REV. A	
					SHEET 1 OF 1		

8 7 6 5 4 3 2 1

THIS DRAWING AND SPECIFICATIONS HEREBY ARE THE PROPERTY OF GENERAL ELECTRIC COMPANY AND ARE TO BE KEPT IN CONFIDENCE. IT IS TO BE USED ONLY FOR THE PURPOSES AND UNDER THE TERMS OF THE CONTRACT UNDER WHICH IT WAS PREPARED. IT IS NOT TO BE REPRODUCED OR TRANSMITTED IN ANY FORM OR BY ANY MEANS, ELECTRONIC OR MECHANICAL, INCLUDING PHOTOCOPYING, RECORDING, OR BY ANY INFORMATION STORAGE AND RETRIEVAL SYSTEM.

- NOTES:
1. INSTALL ITEMS 13 & 15 BEFORE ATTACHING DOOR TO FRAME.
 2. GROMMET LENGTH 18.25" ± .12"
 3. GROMMET LENGTH 7.00" ± .25" - 2 PLACES



J
H
F
E
D
C
B
A

J
H
F
E
D
C
B
A

REV	DATE	BY	CHKD
A			
B			
C			
D			
E			
F			
G			
H			
I			
J			

CAUTION: OFF SHEET PARTS LIST EXISTS
SEE K-PL- H349-0-DBP

QUANTITY & VARIATION	APPLICABLE DIMENSIONS	APPLICABLE TOLERANCES	APPLICABLE SURFACE QUALITY	APPLICABLE FINISH	APPLICABLE MATERIAL	APPLICABLE TREATMENT	APPLICABLE COATING	APPLICABLE PAINT	APPLICABLE LABELING	APPLICABLE MARKING	APPLICABLE IDENTIFICATION	APPLICABLE STORAGE	APPLICABLE HANDLING	APPLICABLE SHIPPING	APPLICABLE UNLOADING	APPLICABLE INSPECTION	APPLICABLE TESTING	APPLICABLE CALIBRATION	APPLICABLE RECORDING	APPLICABLE REPORTING	APPLICABLE ARCHIVING	APPLICABLE RETRIEVAL	APPLICABLE DISPOSITION

DO NOT SCALE DRAWING
REMOVE BLURS AND BREAK SHARP CORNERS

TITLE: PATCH PANEL ASSY

DOCUMENT NUMBER: EUA H349-0-0

DATE: 27 APR 61

REV: 1

SCALE: 1/1

8 7 6 5 4 3 2 1

AUTOMATED BY PRTLST.3P(44)

PARTS LIST

SHEET A1 OF A1

LINE	ITEM	DOCUMENT NUMBER	PART NUMBER	DESCRIPTION	QUANTITY PER VARIATION
1	1	E-IA-7018383-0-0	7018383-00	PATCH PANEL ASSY	1
2	2	E-IA-7018621-0-0	7018621-00	FRAME, PATCH PANEL ASSY	1
3	3	D-IA-7018201-0-0	7018201-03	KDF11-B DIST. CABLE ASSY	1
4	4	C-IA-7425254-0-0	7425254-00	PLATE, ADAPTER	1
5	5		1213756-03	GROUND STRAP, 3" LG	1
6	6		1217431-02	CONN, D SUB 25PIN ASSY STRAIGHT W	1
7	7		9000001-05	STANDOFF, HEX, M/F 6-32X	1
8	8		9008451-00	SCREW LOCK, ASSY	1
9	9		9006560-00	NUT, KEP 6-32X 5/16AF	1
10	10		9006563-00	NUT, KEP 8-32X 11/13AF	1
11	11		9009701-00	SCREW PAN, PHIL, SEMS 6-32X .312L	1
12	12	C-UA-H315-B-0	OH315-B	DATA ONLY TEST CONNECTOR	1

REVISION HISTORY			BASIC PART NO: OH349	DRN: G. GRAVES	DATE: 27-APR-81	D I G I T A L			
ENG	ECO NUMBER	REV	SECTION A OF A	CHK'D: B. BROWN	DATE: 12-NOV-81	TITLE	PARTS LIST		
	INITIAL	A	SECTION: VARIATION INDEX			PATCH PANEL ASSY			
			[A] 00						
			[B]	DES. ENG.: M. CONNELL	DATE: 8-OCT-81				
			[C]	RESP. ENG.: C. VALENTINE	DATE: 8-OCT-81	DOCUMENT NUMBER			
			[D]			SIZE	CODE	NUMBER	REV
			[E]	MFG. ENG.: W. HALL	DATE: 8-OCT-81	K	PL	H349-0-DBP	A
			[F]	ASSEMBLY NUMBER:	TOP DOCUMENT NUMBER:	FILE NAME:	EDIT #		
				E-UA-H349-0-0	#B-DD-H349-0	Z2561A.PLS	7		
<p>"THIS DRAWING AND SPECIFICATIONS HEREIN, ARE THE PROPERTY OF DIGITAL EQUIPMENT CORPORATION AND SHALL NOT BE REPRODUCED OR COPIED OR USED IN WHOLE OR IN PART AS THE BASIS FOR THE MANUFACTURE OR SALE OF ITEMS WITHOUT WRITTEN PERMISSION. COPYRIGHT (C) 1981. DIGITAL EQUIPMENT CORPORATION"</p>									

"THE MATERIAL HEREIN IS FOR INFORMATION PURPOSES ONLY AND IS SUBJECT TO CHANGE WITHOUT NOTICE. DIGITAL EQUIPMENT CORPORATION ASSUMES NO RESPONSIBILITY FOR ANY ERRORS WHICH MAY APPEAR HEREIN."

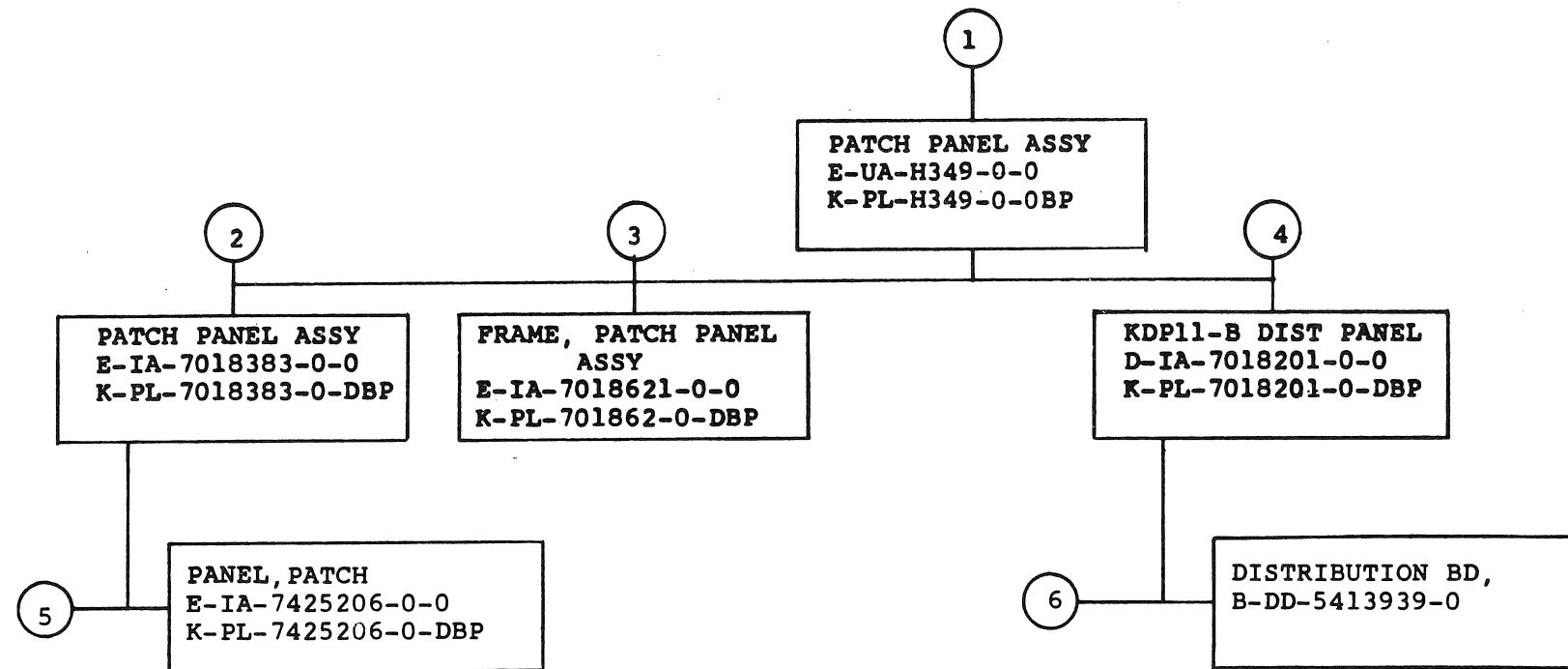
DRAWING DIRECTORY

"THIS DRAWING AND SPECIFICATIONS, HEREIN, ARE THE PROPERTY OF DIGITAL EQUIPMENT CORPORATION AND SHALL NOT BE REPRODUCED OR COPIED OR USED IN WHOLE OR IN PART AS THE BASIS FOR THE MANUFACTURE OR SALE OF ITEMS WITHOUT WRITTEN PERMISSION. COPYRIGHT © 1981 DIGITAL EQUIPMENT CORPORATION."

FOR FIELD MAINTENANCE PRINT SET REFER TO B-TC-H349-0-1

UNIT VARIATIONS	
VAR	TITLE
H349-00	PATCH PANEL ASSY

REVISIONS	REV.	A	USED ON OPTION/MODEL 11T23-B		DRN.	G. GRAVES	DATE	27APR81	TITLE H349-0 PATCH PANEL ASSY	
	CHANGE NO.	INITIAL			CHK'D.	<i>Ed Brown</i>	DATE	17-NOV-81		
	CHK		PROD.	<i>W. Hall</i>	DATE	8-OCT-81	SIZE	CODE	NUMBER	REV
							B	DD	H349-0	A
			SHEET	1	OF	3	DIST.			



TITLE	SHEET 2 OF 3	SIZE CODE	NUMBER	REV.
PATCH PANEL ASSY		B DD	H349-0	A

FIND NO.	DRAWING NO.	DESCRIPTION	TYPE	FIND NO.	DRAWING NO.	DESCRIPTION	TYPE
1	MP01240	H349-0 FIELD MAINTENANCE PRINT SET	-	6	B-DD-5413939-0	DISTRIBUTION BD	E/M
	E-UA-H349-0-0	PATCH PANEL ASSY	E/M				
	K-PL-H349-0-DBP	PATCH PANEL ASSY (PARTS LIST)	E/M				
	B-TC-H349-0-1	PATCH PANEL ASSY (TABLE OF CONTENTS)	-				
	C-IA-7425254-0-0	PLATE ADAPTER	M				
	A-PS-3616073-0-0	LABEL, CABLE IDENTIFICATION	M				
	A-PS-3615999-0-0	LABEL, IDENTIFICATION	M				
2	E-IA-7018383-0-0	PATCH PANEL ASSY	M				
	K-PL-7018383-0-DBP	PATCH PANEL ASSY (PARTS LIST)	M				
	E-IA-7425206-0-0	PANEL PATCH	M				
3	E-IA-7018621-0-0	FRAME, PATCH PANEL ASSY	M				
	K-PL-7018621-0-DBP	FRAME, PATCH PANEL ASSY (PARTS LIST)	M				
	E-IA-7425207-0-0	FRAME, PATCH PANEL	M				
	B-MD-7425712-0-0	TAB	M				
4	D-IA-7018201-0-0	KDF11-B DIST. PANEL	E/M				
	K-PL-7018201-0-DBP	KDF11-B DEST. PANEL (PARTS LIST)	E/M				
5	E-IA-7425206-0-0	PANEL, PATCH	M				
	K-PL-7425206-0-DBP	PANEL, PATCH (PARTS LIST)	M				
	C-SS-7425206-0-1	SILK SERGEN	M				

TYPE: E ELECTRICAL
M MECHANICAL
E/M ELECTRO/MECHANICAL



TITLE PATCH PANEL ASSY		SHEET 3 OF 3		SIZE CODE B DD	NUMBER H349-0	REV. A
---------------------------	--	--------------	--	--------------------------	------------------	------------------

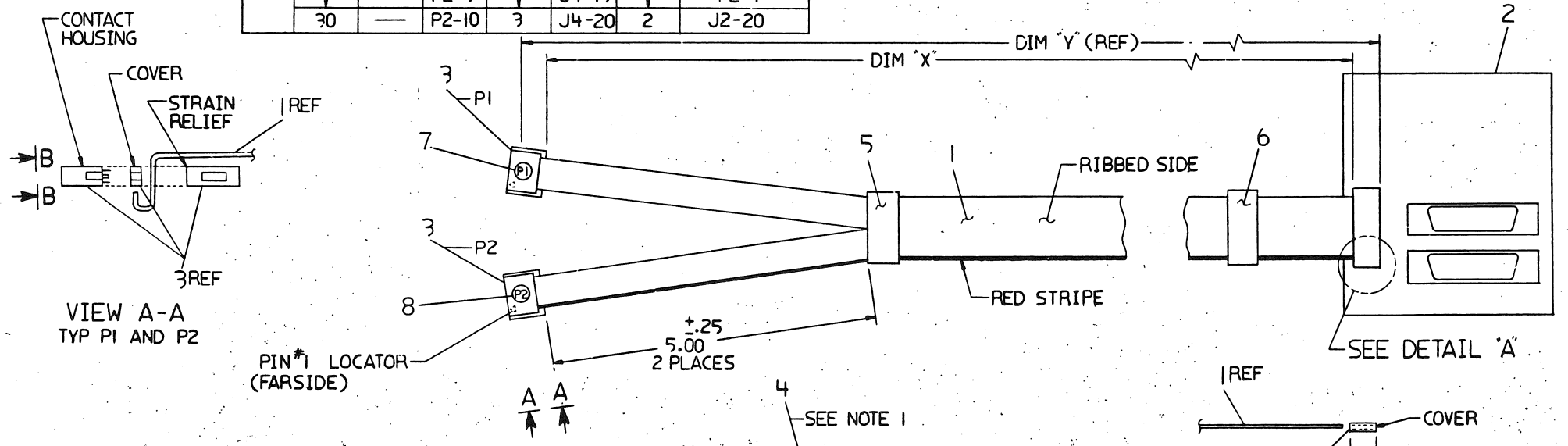
ML3

"THIS DRAWING AND SPECIFICATIONS, HEREIN, ARE THE PROPERTY OF DIGITAL EQUIPMENT CORPORATION AND SHALL NOT BE REPRODUCED OR COPIED OR USED IN WHOLE OR IN PART AS THE BASIS FOR THE MANUFACTURE OR SALE OF ITEMS WITHOUT WRITTEN PERMISSION. DIGITAL EQUIPMENT CORPORATION © 1981"

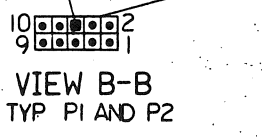
WIRES TABLE							
ITEM NO	DESCRIPTION		FROM		TO		REMARKS (CONNECTS TO)
	AWG	COLOR	CONN	WITH	CONN	WITH	
1	30	---	P1-1	3	J4-1	2	---
	---	---	P1-2	---	J4-2	---	J3-7 (GND)
	---	---	P1-3	---	J4-3	---	J3-2
	---	---	P1-4	---	J4-4	---	GND
	---	---	P1-5	---	J4-5	---	GND
	---	---	P1-6	---	J4-6	---	---
	---	---	P1-7	---	J4-7	---	P1-9
	---	---	P1-8	---	J4-8	---	J3-3
	---	---	P1-9	---	J4-9	---	P1-7
	---	---	P1-10	---	J4-10	---	J3-20
	---	---	P2-1	---	J4-11	---	---
	---	---	P2-2	---	J4-12	---	J2-7 (GND)
	---	---	P2-3	---	J4-13	---	J2-2
	---	---	P2-4	---	J4-14	---	GND
	---	---	P2-5	---	J4-15	---	GND
	---	---	P2-6	---	J4-16	---	---
	---	---	P2-7	---	J4-17	---	P2-9
	---	---	P2-8	---	J4-18	---	J2-3
	---	---	P2-9	---	J4-19	---	P2-7
	30	---	P2-10	3	J4-20	2	J2-20

LEGEND		
NUMBER	DIM 'X' VARIATION	DIM 'Y' (PRECUT) REF
7018201-03	3 FT Ø IN ± 1 IN	3 FT 2 IN ± 1 IN
7018201-06	6 FT Ø IN ± 1 IN	6 FT 2 IN ± 1 IN

NOTES:
 1. INSTALL 'PLUG' (ITEM 4) INTO CAVITY NO. 6 OF CONNECTORS P1 AND P2 (ITEM 3 REF).



VIEW A-A
TYP P1 AND P2



VIEW B-B
TYP P1 AND P2

CAUTION: OFF SHEET PARTS LIST
 REFER TO K-PL-7018201-0-0

DESCRIPTION		DWG. PART NO.	ITEM NO.
UNLESS OTHERWISE SPECIFIED DIMENSIONS ARE IN INCHES			
ANGLES 30° 30'	CLASS OF ACCURACY (CHECK ONE)	NOMINAL DIMENSION RANGE INCHES	
SURFACE QUALITY IN	MEDIUM	OVER 0 TO 0.2	OVER 0.2 TO 4.0
QUANTITY & VARIATION	MICROINCHES	OVER 4.0 TO 12.0	OVER 12.0 TO 40.0
THIRD ANGLE PROJECTION	PREFERRED	OVER 40.0 TO 100.0	OVER 100.0 TO 1000.0
REMOVE BURRS AND BREAK SHARP CORNERS	±0.012 ±0.018 ±0.025 ±0.04 ±0.053 ±0.1	FIRST USED ON KDF11-B	
DO NOT SCALE DWG	NEXT HIGHER ASSY.	TITLE FILTER CABLE ASSY	
MATERIAL SEE PARTS LIST	SCALE NONE	SIZE CODE	NUMBER
FINISH	SHEET OF	D IA	7018201-0-0
			REV. B

REV.	CHG.	NO.	DATE	BY	CHK.
A					
B					

LINE ITEM	DOCUMENT NUMBER	PART NUMBER	DESCRIPTION	QUANTITY PER VARIATION	
				03	06
1		9107747-00	CABLE,RIBBON BOND 20COND 30AWG	A/R	A/R
2	D-UA-5413939-1-0	5413939-01	DISTRIBUTION BD.	1	1
3		1211206-02	CONN,IDC 10SKT(2X05).100CC GOL	2	2
4		1216967-00	CARD EDGE PLASTIC POLARIZING PLU	2	2
5		9009507-00	TAPE, VINYL, ELECTRICAL, 3/4 X 6	A/R	A/R
6		3616073-00	LABEL,ID W/COPY VERTICAL	1	1
7		3615999-00	LABEL,"P1"	1	1
8		3615999-01	LABEL,"P2"	1	1

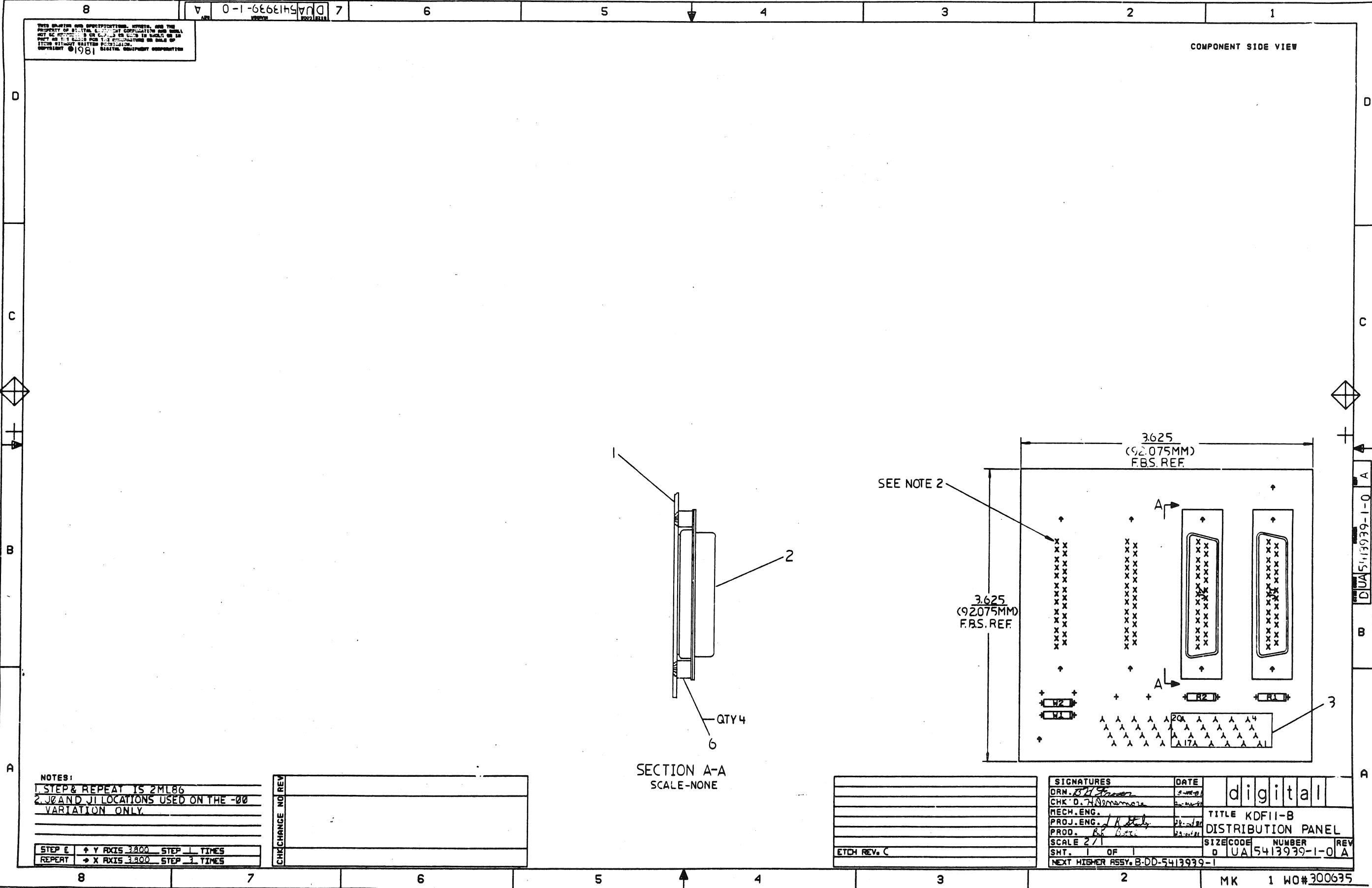
REVISION HISTORY		BASIC PART NO: 7018201		DRN:	M DUGGAN	DATE:	06-FEB-81	D I G I T A L	
ENG:	ECO NUMBER	REV	SECTION A OF A	CHK'D:	J. Falkowski <i>cat</i>	DATE:	7-JUN-82	TITLE	PARTS LIST
---	INITIAL	A	SECTION, VARIATION INDEX		J FALKOWSKI	DATE:	25-AUG-81	KDF11-B DIST. CABLE ASSY	
JS	7018201-MK001	B	(A) 03,06						
			(B)	DES.ENG.:	J. Stanley	DATE:	15-JUN-82		
			(C)	RESP.ENG.:	J. Stanley	DATE:	25-AUG-81	DOCUMENT NUMBER	
			(D)					SIZE	CODE
			(E)	MFG.ENG.:	R BOTTI	DATE:	25-AUG-81	K	PL
			(F)	ASSEMBLY NUMBER:		TOP DOCUMENT NUMBER:		FILE NAME:	EDIT #
				D-AD-7018201-0-0				MK0344.PLS	6

"THIS DRAWING AND SPECIFICATIONS HEREIN, ARE THE PROPERTY OF DIGITAL EQUIPMENT CORPORATION AND SHALL NOT BE REPRODUCED OR COPIED OR USED IN WHOLE OR IN PART AS THE BASIS FOR THE MANUFACTURE OR SALE OF ITEMS WITHOUT WRITTEN PERMISSION. COPYRIGHT (C) 1982, DIGITAL EQUIPMENT CORPORATION "

MK

THIS DRAWING AND SPECIFICATIONS, HEREIN, AND THE PROPERTY OF DIGITAL EQUIPMENT CORPORATION AND SHALL NOT BE REPRODUCED OR TRANSMITTED IN ANY FORM OR BY ANY MEANS, ELECTRONIC OR MECHANICAL, INCLUDING PHOTOCOPYING, RECORDING, OR BY ANY INFORMATION STORAGE AND RETRIEVAL SYSTEM, WITHOUT WRITTEN PERMISSION. © 1981

COMPONENT SIDE VIEW



NOTES:
 1. STEP & REPEAT IS 2ML86
 2. J AND JI LOCATIONS USED ON THE -00 VARIATION ONLY.

STEP 1	Y AXIS 3.800	STEP 1	TIMES
REPEAT	X AXIS 3.800	STEP 3	TIMES

CHECK	NO	REV

SECTION A-A
 SCALE-NONE

ETCH REV. C

SIGNATURES		DATE	digital
DRN. <i>[Signature]</i>		8-1981	
CHK'D. <i>[Signature]</i>		8-1981	TITLE KDF11-B DISTRIBUTION PANEL
MECH. ENG.			
PROJ. ENG. <i>[Signature]</i>		8-1981	SIZE CODE NUMBER REV D U A 5413939-1-0 A
PROD. <i>[Signature]</i>		8-1981	
SCALE 2/1			NEXT HIGHER ASSY. B-DD-5413939-1
SHT. 1 OF 1			

LINE ITEM	DOCUMENT NUMBER	PART NUMBER	DESCRIPTION	QTY PER VARIATION		REFERENCE DESIGNATOR
				01		
1	D-MD-5013938-0-0	5013938-00	DRILL AND ETCH BRD	1		
2		1205886-01	CONN,D SUB 25PIN ASSY STRAIGHT P	2		J2,J3
3		1210073-02	CONN 20POS INSUL PIERCING	1		J4
4		1301401-00	750.0 .25 W 5.0 % CC	2		R1,R2
5		9009185-00	JUMPER, WIRE, INSULATED, BLACK B	2		W1,W2
6		9009113-10	STANDOFF, PC BOARD 4-40 X .187 L	4		

REVISION HISTORY			BASIC PART NO: 5413939			DRN: B.FRASER			DATE: 19-MAR-81			DBP			D I G I T A L		
ENG	ECO NUMBER	REV	SECTION A OF A			CHK'D: J.FALKOWSKI			DATE: 19-MAR-81			TITLE			PARTS LIST		
JS	INITIAL	A	SECTION.VARIATION INDEX			DES.ENG: J.STANLEY			DATE: 19-MAR-81			KDF11-B DISTRIBUTION PANEL					
			[A]	01													
			[B]														
			[C]														
			[D]														
			[E]														
			[F]														
			[G]														
			[H]														
			[I]														
			[J]														
			[K]														
			[L]														
			[M]														
			[N]														
			RESP.ENG.: J.STANLEY			DATE: 29-OCT-81			DOCUMENT NUMBER								
			MFG.ENG.: BOB BOTTI			DATE: 29-OCT-81			K			PL			5413939-01-0		
			ASSEMBLY NUMBER:			TOP DOCUMENT NUMBER:			FILE NAME:			EDIT #					
			D-UA-5413939-01-0			#B-DD-5413939-01			MK0390.PLS			5					

"THIS DRAWING AND SPECIFICATIONS HEREIN, ARE THE PROPERTY OF DIGITAL EQUIPMENT CORPORATION AND SHALL NOT BE REPRODUCED OR COPIED OR USED IN WHOLE OR IN PART AS THE BASIS FOR THE MANUFACTURE OR SALE OF ITEMS WITHOUT WRITTEN PERMISSION. COPYRIGHT (C) 1981. DIGITAL EQUIPMENT CORPORATION"

MK

8

7

6

5

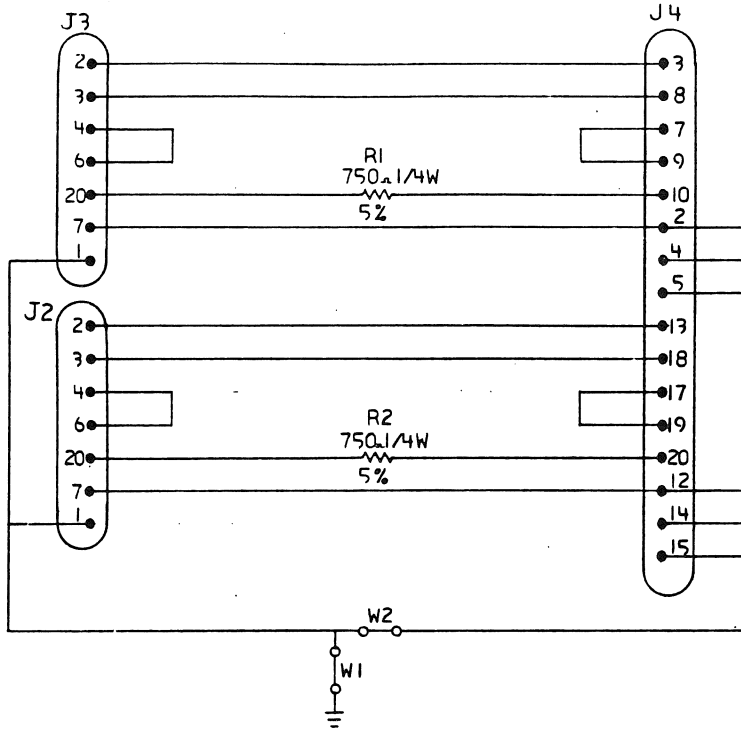
4

3

V 1-1-68681HS SC D 2

1

"THIS DRAWING AND SPECIFICATIONS, HEREIN, ARE THE PROPERTY OF DIGITAL EQUIPMENT CORPORATION AND SHALL NOT BE REPRODUCED OR COPIED OR USED IN WHOLE OR IN PART AS THE BASIS FOR THE MANUFACTURE OR SALE OF ITEMS WITHOUT WRITTEN PERMISSION. COPYRIGHT © 1981 DIGITAL EQUIPMENT CORPORATION"



NOTES:

1. THE ELECTRICAL SCHEMATIC SHOWN ON THIS SHEET DENOTES -01 VARIATION.

D

C

B

A

D

C

B

A

REV. A 5413939-1-1

REV. NO.	
CHANGE NO.	

DRN 327	10-000	FIRST USED ON	KDF11-B
CHK'D		TITLE	KDF11-B DISTRIBUTION PANEL
ENGR			
PROD. ENG.			
NEXT HIGHER ASSY.			
B-DD-5413939-1	SIZE	CODE	NUMBER
SCALE NONE	D	CS	5413939-1-1
SHEET	OF	DIST.	REV. A

8

7

6

5

4

3

2

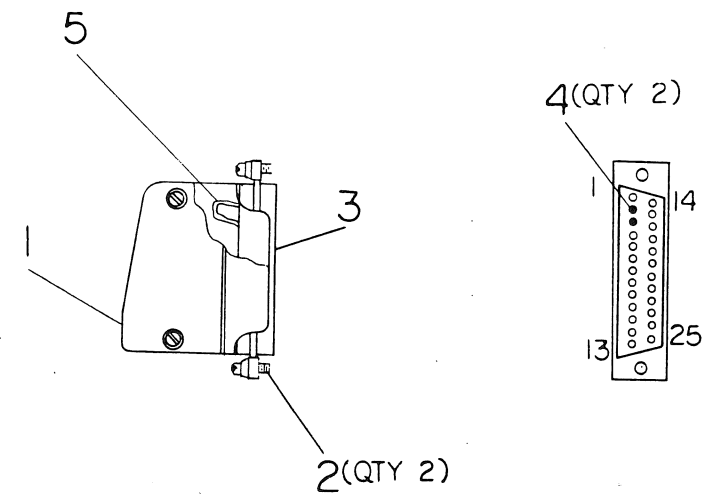
1 MK

1

SIZE CODE
C UA
NUMBER
H315-B-Ø
REV
*

"THIS DRAWING AND SPECIFICATIONS, HEREIN, ARE THE PROPERTY OF DIGITAL EQUIPMENT CORPORATION AND SHALL NOT BE REPRODUCED OR COPIED OR USED IN WHOLE OR IN PART AS THE BASIS FOR THE MANUFACTURE OR SALE OF ITEMS WITHOUT WRITTEN PERMISSION."
COPYRIGHT © 1980 DIGITAL EQUIPMENT CORPORATION

ITEM NO	DESCRIPTION		FROM		TO		PRECUT LENGTH
	AWG	COLOR	CONN	WITH	CONN	WITH	
5	22	BLK	PI-2	4	PI-3	4	1.75 ± .25



CAUTION: OFF SHEET PARTS LIST
REFER TO K-PL-H315-B-Ø

REVISION HISTORY	
DATE	REV.

DESCRIPTION	DRAWING NO.	PART NO.	ITEM NO.
UNLESS OTHERWISE SPECIFIED DIMENSIONS ARE IN INCHES AND THE FOLLOWING TOLERANCES APPLY (PER DEC STD 114)			
INCHES TOLERANCES X = ± .1 XX = ± .02 XXX = ± .005	ANGLES ± 0° 30'	APPLICABLE DIMENSION RANGE (CHECK ONE)	
		<input type="checkbox"/> OVER 0 TO 0.2	<input type="checkbox"/> OVER 0.2 TO 1.2
SURFACE QUALITY <input checked="" type="checkbox"/> MICROINCHES	MICROINCHES	DIMENSIONS RANGE IN INCHES	
		<input type="checkbox"/> OVER 1.2 TO 4.0	<input type="checkbox"/> OVER 4.0 TO 12.0
THIRD ANGLE PROJECTION		TITLE	
DO NOT SCALE DRAWING		TEST CONN (DATA ONLY)	
REMOVE BURRS AND BREAK SHARP CORNERS		DOCUMENT NUMBER	
MATERIAL SEE PARTS LIST		C UA H315-B-Ø *	
FINISH + +		SCALE NONE SHEET 1 OF 1	

DRC 1000

SIZE CODE
C UA
NUMBER
H315-B-Ø
REV
*

4
3
2
1

C
B
A

4
3
2
1

A
B
C

THIS DRAWING AND SPECIFICATIONS, HEREIN, ARE THE PROPERTY OF DIGITAL EQUIPMENT CORPORATION AND SHALL NOT BE REPRODUCED OR COPIED OR USED IN WHOLE OR IN PART AS THE BASIS FOR THE MANUFACTURE OR SALE OF ITEMS WITHOUT WRITTEN PERMISSION.
 COPYRIGHT © 1981 DIGITAL EQUIPMENT CORPORATION

WIRE TABLE

ITEM NO.	DESCRIPTION		FROM		TO		REMARKS
	AWG	COLOR	CONNECTION	WITH	CONNECTION	WITH	
9	22	RED	PI-1	2	P2-1	8	✓
9	22	BLK	PI-2	2	P2-2	8	✓
9	22	GRN	PI-3	2	P2-3	8	✓

LEGEND

NUMBER	DIM. X VARIATION	DIM. Y (PRECUT) REF.
7018382-3F	3FT. 6IN. ± 1 IN.	3FT. 6.8 IN. ± 1 IN.
7018382-8F	8FT. 6IN. ± 2 IN.	8FT. 6.8 IN. ± 2 IN.
7018382-06	6FT. ± 2 IN.	6FT. 0.8 IN. ± 2 IN.
7018382-12	12FT. ± 3 IN.	12FT. 0.8 IN. ± 3 IN.
7018382-05	5 FT. ± 1 IN.	5 FT. 0.8 IN. ± 2 IN.
7018382-10	10FT. ± 2 IN.	10FT. 0.8 IN. ± 3 IN.
7018382-15	15FT. ± 3 IN.	15FT. 0.8 IN. ± 3 IN.
7018382-08	8FT. ± 2 IN.	8FT. 0.8 IN. ± 2 IN.
7018382-30	30FT. ± 7 IN.	30FT. 0.8 IN. ± 7 IN.
7018382-40	40FT. ± 10 IN.	40FT. 0.8 IN. ± 10 IN.
7018382-25	25FT. ± 10 IN.	25FT. 0.8 IN. ± 10 IN.
7018382-04	4FT. ± 1 IN.	4FT. 0.8 IN. ± 1 IN.

CAUTION: OFF SHEET PARTS LIST EXISTS
SEE K-PL-7018382-O-DBP

4
3
2
1

A
B
C

UNLESS OTHERWISE SPECIFIED DIMENSIONS ARE IN INCHES AND THE FOLLOWING TOLERANCES APPLY (PER DEC STD 114)

INCHES TOLERANCES	ANGLES ± 0° 30'	APPLICABLE DIMENSION RANGE (CHECK ONE)	DIMENSIONS RANGE IN INCHES					
			OVER 0 TO 0.2	OVER 0.2 TO 1.2	OVER 1.2 TO 4.0	OVER 4.0 TO 12.0	OVER 12.0 TO 40.0	OVER 40.0 TO 80.0
X = ± .1 XX = ± .02 XXX = ± .005		<input type="checkbox"/> SURFACE QUALITY <input checked="" type="checkbox"/> MICRINCHES	± .02	± .03	± .05	± .10		

THIRD ANGLE PROJECTION

DO NOT SCALE DRAWING

REMOVE BURRS AND BREAK SHARP CORNERS

MATERIAL: N

FINISH: N

DRN: G. GRI 165 DATE: 6 DEC 80

CHKD: Bill Brown DATE: 10-Nov-81

DES ENG: Michael R. Connell DATE: 9/24/81

RESP ENG: M. Salk Connell DATE: 9/24/81

MEG ENG: DAVE LEE DATE: 9/25/81

NEXT HIGHER DOC: E-UA-IIT23-B-0

FIRST USED ON: IIT23-B

TITLE: digital SENSE CABLE, SYSTEM

DOCUMENT NUMBER: C IA7018382-0-0 B

SCALE: NONE

REVISION HISTORY

DATE	ECO NUMBER	REV.	INITIAL
		A	
		B	

200/Netto 19 July 82
MIKE CONNELL
Michael R. Connell 21 JULY 82

DRC 1000

4
3
2
1
A
B
C

ML3

LINE	ITEM	DOCUMENT NUMBER	PART NUMBER	DESCRIPTION	QUANTITY PER VARIATION												
					3F	8F	06	12	05	10	15	08	30	40	25	04	
1	1		1209351-03	MATE-N-LOK 03PIN(1X03).200CC HSG	1	1	1	1	1	1	1	1	1	1	1	1	1
2	2		1209378-00	MATE-N-LOK 01PIN 20-14AWG .0850D	3	3	3	3	3	3	3	3	3	3	3	3	3
3	3		1218487-00	*** THIS ITEM IS NOT USED ***	-	-	-	-	-	-	-	-	-	-	-	-	-
4	4		1218488-00	*** THIS ITEM IS NOT USED ***	-	-	-	-	-	-	-	-	-	-	-	-	-
5	5		1700045-00	*** THIS ITEM IS NOT USED ***	-	-	-	-	-	-	-	-	-	-	-	-	-
6	6		3616073-00	LABEL, ID W/COPY VERTICAL	1	1	1	1	1	1	1	1	1	1	1	1	1
7	7		1213925-03	CONN,P+S 03PIN(1X03).165CC HSG	1	1	1	1	1	1	1	1	1	1	1	1	1
8	8		1213924-01	CONN,P+S 01PIN 26-18AWG	3	3	3	3	3	3	3	3	3	3	3	3	3
9	9	SEE NOTE	9107756-00	CABLE,RND 03COND 22AWG UNSHLDDED	44	105	75	148	63	124	184	99	368	491	311	50	

10 NOTE: QTY OF ITEM 9 IN INCHES. SEE DWG C-IA-7018382 FOR CUT LENGTHS

REVISION HISTORY			BASIC PART NO: 7018382			DRN: G. GRAVES		DATE: 30-DEC-80		D I G I T A L	
ENG	ECO NUMBER	REV	SECTION A OF A	CHK'D:	B. BROWN	DATE:	10-NOV-81	TITLE	PARTS LIST		
MC	7018382-ML001	B	SECTION, VARIATION INDEX [A] 3F,8F,06,12,05,10, 15,08,30,40,25,04	DES.ENG.:	M. CONNELL	DATE:	25-SEP-81	SENSE CABLE, SYSTEM			
			[B]	RESP.ENG.:	M. CONNELL	DATE:	25-SEP-81	DOCUMENT NUMBER			
			[C]					SIZE	CODE	NUMBER	REV
			[D]	MFG.ENG.:	D. LEE	DATE:	25-SEP-81	K	PL	7018382-0-DBP	B
			[E]	ASSEMBLY NUMBER:		TOP DOCUMENT NUMBER:		FILE NAME:	EDIT #		
			[F]	C-IA-7018382-0-0		E-UA-11T23-B-0		Z2055B.PLS	9		

"THIS DRAWING AND SPECIFICATIONS HEREIN, ARE THE PROPERTY OF DIGITAL EQUIPMENT CORPORATION AND SHALL NOT BE REPRODUCED OR COPIED OR USED IN WHOLE OR IN PART AS THE BASIS FOR THE MANUFACTURE OR SALE OF ITEMS WITHOUT WRITTEN PERMISSION. COPYRIGHT (C) 1982. DIGITAL EQUIPMENT CORPORATION"

ML3

