

THE MATERIAL HEREIN IS FOR INFORMATION PURPOSES ONLY AND IS SUBJECT TO CHANGE WITHOUT NOTICE. DIGITAL EQUIPMENT CORPORATION ASSUMES NO RESPONSIBILITY FOR ANY ERRORS WHICH MAY APPEAR HEREIN.

FIELD MAINTENANCE PRINT SET

THIS DRAWING AND SPECIFICATIONS HEREIN ARE THE PROPERTY OF DIGITAL EQUIPMENT CORPORATION AND SHALL NOT BE REPRODUCED OR COPIED OR USED IN WHOLE OR IN PART AS THE BASIS FOR THE MANUFACTURE OR SALE OF ITEMS WITHOUT WRITTEN PERMISSION. COPYRIGHT © 1981 DIGITAL EQUIPMENT CORPORATION

TABLE OF CONTENTS

B-TC-KDF11-B-1	FIELD MAINTENANCE PRINT SET
D-UA-KDF11-B-Ø	UNIT ASSY, KDF11-B
K-PL-KDF11-B-DBP	PARTS LIST, KDF11-B
B-DD-M8189-Ø	DRAWING DIRECTORY, M8189
D-UA-M8189-Ø-Ø	UNIT ASSY, M8189
K-PL-M8189-Ø-DBP	M8189 PARTS LIST
D-CS-M8189-Ø-K1	TIMING LOGIC & MIB DECODE
D-CS-M8189-Ø-K2	BUS CONTROL LOGIC
D-CS-M8189-Ø-K3	SERVICE RESET & ODT LOGIC
D-CS-M8189-Ø-K4	F11 CHIPS & FIXED DATA
D-CS-M8189-Ø-K5	CDAL/BDAL INTERFACE
D-CS-M8189-Ø-K6	CDAL/IDAL INTERFACE
D-CS-M8189-Ø-K7	IDAL ADRS DECODE
D-CS-M8189-Ø-K8	BOOT & CLOCK LOGIC
D-CS-M8189-Ø-K9	CONSOLE & SECOND SLU
D-CS-M8189-Ø-K10	BAUD RATE & -12V
D-CS-M8189-Ø-K11	CONFIGURATION GUIDE
B-DD-KEF11-BB	CIS MICROCODE HYBRID

UNIT VARIATIONS COVERED BY THIS PRINT SET
KDF11-BA
KDF11-BB
KDF11-BC
KDF11-BD
KDF11-BE

KDF11-B Field Maintenance Print Set

**Digital Equipment
Corporation**

Print Set Part Number **MP-Ø1236**

REVISION HISTORY	REV.	ECO NUMBER	A	B	C
	DATE	6/17/81	INITIALIZE		
	12 APR 82		KDF11-B-MLØØ1		
	4 JUN 83		KDF11-B-MLOO2		

DRN.	P. BROSNIHAN	DATE	4/4/81	TITLE	digital		
CHK'D.	G. MARINI	DATE	4/4/81	FIELD MAINTENANCE PRINT SET KDF11-B	11/23+		
DES. ENG.	<i>Jay Nichols</i>	DATE	22-JUN-81				
RESP. ENG.	<i>C. Valentini</i>	DATE	22-JUN-81				
FIELD SERVICE	<i>G. Marini</i>	DATE	23-JUN-81	DOCUMENT NUMBER			
NEXT HIGHER DOC.		11/23-B		SIZE	CODE	NUMBER	REV.
				B TC	KDF11-B-1		C
							SHEET 1 OF 1

REV. C
NUMBER KDF11-B-1
SIZE CODE B TC

ML 3

THIS DRAWING AND SPECIFICATIONS HEREIN ARE THE PROPERTY OF DIGITAL EQUIPMENT CORPORATION AND SHALL NOT BE REPRODUCED OR USED IN WHOLE OR IN PART AS THE BASIS FOR THE MANUFACTURE OR SALE OF ITEMS WITHOUT WRITTEN PERMISSION.
 COPYRIGHT © 1981 DIGITAL EQUIPMENT CORPORATION

TABLE 1 BOOT/DIAG. SELECTION GUIDE FOR SWITCH PACK E132

SWITCH	ON	OFF
S1	EXECUTE CPU TEST	SKIP CPU TEST
S2	EXECUTE MEMORY TEST	SKIP MEMORY TEST
S3	EXECUTE DECNET BOOT PROGRAM SELECTED BY S4-S7 PER TABLE 2.	EXECUTE STANDARD BOOT PROGRAM PER SWITCH S4
S4	EXECUTE DIALOGUE BOOT PROGRAM. OPERATOR RESPONDS WITH MNEMONIC PER TABLE 3.	EXECUTE AUTOMATIC (TURNKEY) BOOT PROGRAM SELECTED BY S5-S8 PER TABLE 3.

TABLE 2 DECNET BOOT DEVICE SELECTION (S3 ON)

S4	S5	S6	S7	DEVICE
ON	X	X	X	DUV11
OFF	ON	X	OFF	DLV11-E
OFF	ON	X	ON	DLV11-F

NOTE: X = DON'T CARE

TABLE 3 STANDARD BOOT DEVICE SELECTION (S3 OFF)

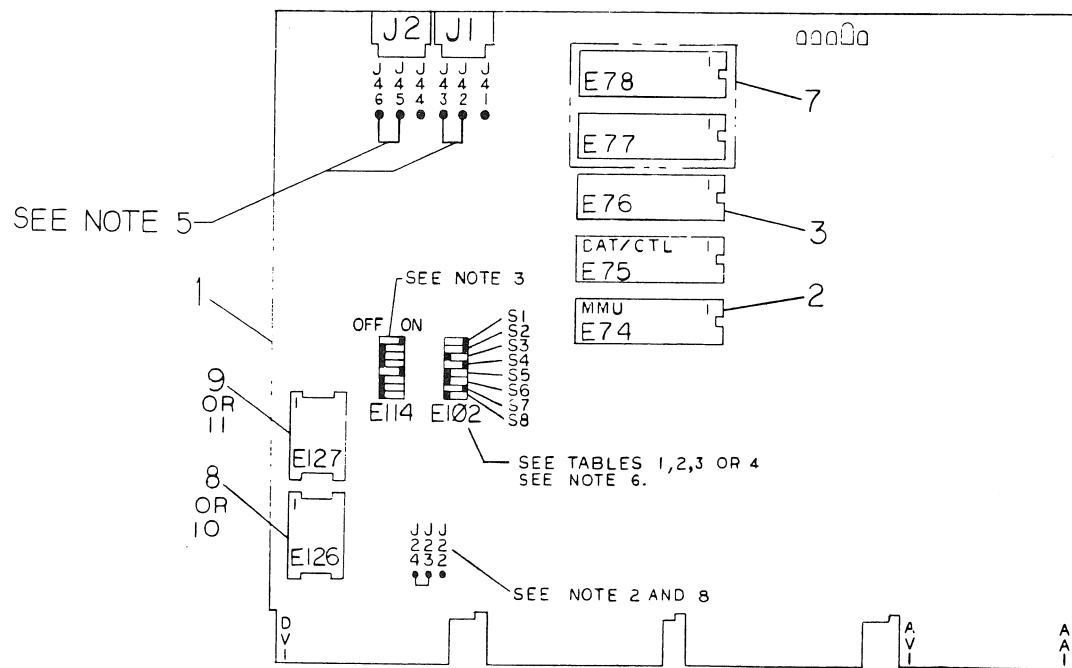
MNEMONIC	S5	S6	S7	S8	DEVICE
DKn; n<8	OFF	OFF	OFF	ON	RK05
DLn; n<4	OFF	OFF	ON	OFF	RLO1/RLO2
DDn; n<2	OFF	OFF	ON	ON	TU58
DXn; n<2	OFF	ON	OFF	OFF	RX01
DYn; n<2	OFF	ON	ON	OFF	RX02

LEGEND

NUMBER	DESCRIPTION
KDF11-BA	M8189-00 PLUS KTF11-AA & BOOT/DIAG. ROMS, P/N: 23-339E2-00 & 23-340E2-00
KDF11-BB	M8189-00 PLUS KTF11-AA, KEF11-AA & BOOT/DIAG. ROMS P/N: 23-339E2-00 & 23-340E2-00
KDF11-BC	M8189-00 PLUS BOOT/DIAG. ROMS P/N: 23-339E2-00 & 23-340E2-00
KDF11-BD	M8189-00 PLUS KTF11-AA, KEF11-BB & BOOT/DIAG. ROMS P/N: 23-339E2-00 & 23-340E2-00
KDF11-BE	M8189-00 PLUS KTF11-AA & 16KB BOOT/DIAGNOSTIC ROMS, P/N: 23-157E4 & 23-158E4. CONFIG. EXT. BAUD SEL.

NOTES:

- WHEN INSTALLING ITEMS 2,3,5&9 MAKE SURE THAT PIN 1 IS LOCATED AS SHOWN.
- FOR VARIATIONS-BA,BB,BC AND-BD WHEN ITEMS 8 & 9 ARE MASKED ROMS CONNECT J23 TO J24 WITH J22 NOT CONNECTED. WHEN ITEMS 8 & 9 ARE EPROMS CONNECT J22 TO J23 WITH J24 NOT CONNECTED.
- BAUD RATE SELECTION. SEE D-CS-M8189-3-K11. SETTINGS SHOWN PRODUCE 9600 BAUD EACH LINE.
- KEF11-BB=CIS MICROCODE HYBRID. CONTAINS CIS MICROCODE TO IMPLEMENT THE COMMERCIAL INSTRUCTION SET.
- CONNECT J45 TO J46 WITH J44 NOT CONNECTED AND J43 TO J42 WITH J41 NOT CONNECTED FOR INTERNAL BAUD RATE GENERATOR ON-BA,-BB,-BC,-BD VARIATIONS. CONNECT J45 TO J44 WITH J46 NOT CONNECTED AND J41 TO J42 WITH J43 NOT CONNECTED FOR EXTERNAL BAUD RATE GENERATOR ON-BE VARIATION.
- USE TABLES 1,2 AND 3 FOR KDF11-BA,BB,BC,BD. USE TABLE 4 FOR KDF11-BE.
- TO DIFFERENTIATE BETWEEN-BA AND-BE, STAMP MODULE HANDLE (SEE DETAIL "A" FOR PLACEMENT) WITH INDELIBLE INK AND CORRECT RUBBER STAMP; KDF11-BA OR KDF11-BE.
- FOR VARIATION-BE, CONNECT J24 TO J23 WITH J22 NOT CONNECTED.



CAUTION: OFF SHEET PARTS LIST EXISTS, SEE K-PL-KDF11-B-DBP

THIRD ANGLE PROJECTION	DESCRIPTION	DWG./PART NO.	ITEM NO.
	UNLESS OTHERWISE SPECIFIED DIMENSIONS ARE IN INCHES		
REMOVE BURRS AND BREAK SHARP CORNERS	ANGLES ±0° 30'	CLASS OF ACCURACY (CHECK ONE)	NOMINAL DIMENSION RANGE INCHES
	SURFACE QUALITY IN	MEDIUM	OVER 0 TO 0.2 ±.004 ±.008 ±.012 ±.016 ±.024 ±.04 PREFERRED ±.012 ±.016 ±.025 ±.04 ±.08 ±.1
DO NOT SCALE DWG	QUANTITY & VARIATION	FIRST USED ON	
MATERIAL	B-DD-KDF11-B	11/23-2 digital	
FINISH	SCALE NONE	TITLE	
	SHEET 1 OF 3	KDF11-B CPU UNIT ASSEMBLY	
		SIZE	NUMBER
		D	UA KDF11-B-0
		DIST.	REV. C

REV.	CHANGE NO.	INITIAL	DATE
A	1	VA	12 APR 82
B	2	VA	12 APR 82
C	3	VA	12 APR 82
D	4	VA	12 APR 82

DESIGNED BY: M. O'RIOURDAN
 CHECKED BY: M. O'RIOURDAN
 DATE: 25 MAY 83

DEC FORM NO 100-C

THIS DRAWING AND THE SPECIFICATIONS CONTAINED HEREIN ARE CONFIDENTIAL AND PROPRIETARY. THEY ARE THE PROPERTY OF DIGITAL EQUIPMENT CORPORATION AND SHALL NOT BE REPRODUCED, COPIED, STORED IN A RETRIEVAL SYSTEM, TRANSMITTED, OR IN ANY MANNER DISCLOSED TO THE PUBLIC WITHOUT THE WRITTEN PERMISSION OF DIGITAL EQUIPMENT CORPORATION. THIS DOCUMENT IS UNCLASSIFIED UNDER THE FEDERAL INFORMATION ACT OF 1976.

SWITCHES
 ON
 OFF
 X DOES NOT EFFECT
 CONDITION SELECTED

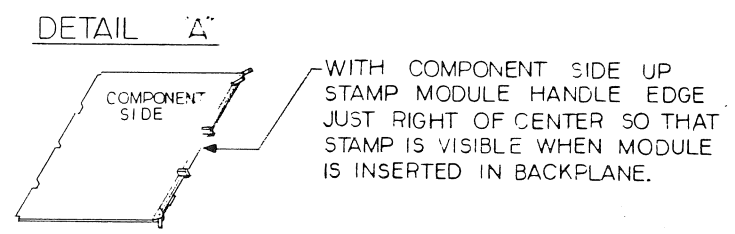
SWITCH REGISTER FORMAT
 O BITS 6:4 ARE CONTROLLER TYPE D, BITS 3:1 ARE UNIT NUMBER SELECT.
 O BITS 6:3 ARE CONTROLLER TYPE D, BITS 2:1 ARE UNIT NUMBER SELECT.
 O BITS 6:2 ARE CONTROLLER TYPE D, BITS 1 IS UNIT NUMBER SELECT.
 O BITS 6:4 = 1 IS DECNET IDENTIFIER, BITS 3:1 SELECT LINK TYPE.
 O BITS 6:4 IS DECNET IDENTIFIER, BITS 3:1 SELECT LINK TYPE.
 O BITS 6:1 = 1 IS LOOP SELFTEST AND CONDITIONALLY MEMORY DIAGNOSTIC.

TABLE 4 BOOTSTRAP DIAGNOSTIC CONFIGURATION SWITCHES

SWITCH	SETTING	FUNCTION						
8	7	6	5	4	3	2	1	
X	X	0	0	0	0	0	0	INHIBIT POWER ON AUTO BOOT
0	X	X	X	X	X	X	X	CONSOLE TERMINAL IS NOT AN ANSI MODE SCOPE
1	X	X	X	X	X	X	X	CONSOLE TERMINAL IS AN ANSI MODE SCOPE
X	1	X	X	X	X	X	X	* EXECUTE QUICK VERIFY MEMORY DIAGNOSTICS
X	X	0	0	0	0	1	0	SELECT TU58 DEVICE 0
X	X	0	0	0	0	1	1	SELECT TU58 DEVICE 1
X	X	0	0	0	1	0	0	SELECT RX01 DEVICE 0
X	X	0	0	0	1	0	1	SELECT RX01 DEVICE 1
X	X	0	0	0	1	1	0	SELECT RX02 DEVICE 0
X	X	0	0	1	0	0	0	SELECT RX02 DEVICE 1
X	X	0	0	1	0	0	0	SELECT MSCP DEVICE 0
X	X	0	0	1	0	0	1	SELECT MSCP DEVICE 1
X	X	0	0	1	0	1	0	SELECT MSCP DEVICE 2
X	X	0	0	1	0	1	1	SELECT MSCP DEVICE 3
X	X	0	0	1	1	0	0	SELECT MSCP DEVICE 4
X	X	0	0	1	1	0	1	SELECT MSCP DEVICE 5
X	X	0	0	1	1	1	0	SELECT MSCP DEVICE 6
X	X	0	0	1	1	1	1	SELECT MSCP AUTO BOOT SEQUENCER (SNIFFER BOOT)
X	X	0	1	0	0	0	0	SELECT RLO1/RLO2 DEVICE 0
X	X	0	1	0	0	0	1	SELECT RLO1/RLO2 DEVICE 1
X	X	0	1	0	0	1	0	SELECT RLO1/RLO2 DEVICE 2
X	X	0	1	0	0	1	1	SELECT RLO1/RLO2 DEVICE 3
X	X	0	1	1	0	0	0	RESERVED FOR FUTURE DEVICES
X	X	1	1	1	0	0	0	SELECT DECNET DUVII
X	X	1	1	1	0	0	1	SELECT DECNET DLVII-E
X	X	1	1	1	0	1	0	SELECT DECNET DLVII-F
X	0	1	1	1	1	1	1	LOOP SELF TEST BUT DO NOT EXECUTE MEMORY DIAGNOSTIC
X	1	1	1	1	1	1	1	LOOP SELF TEST AND MEMORY DIAGNOSTIC
1	1	0	0	1	1	1	1	

* THE FIRST 48 KB OF MEMORY WILL ALWAYS BE TESTED REGARDLESS OF SWITCH POSITION. THERE MUST BE A MINIMUM OF 16 KB OF MEMORY TO RUN WITH THESE ROMS.

ALL UNIMPLEMENTED SWITCH CONFIGURATIONS WILL CAUSE AN ERROR MESSAGE TO BE PRINTED AND CONTROL PASSED TO CONSOLE DIALOGUE ROUTINE.



REVISION HISTORY		
REV	ECO NUMBER	DATE

TITLE
 KDFII-3 CPU
 UNIT ASSEMBLY

DOCUMENT NUMBER		
SIZE CODE	NUMBER	REV
DUA	KDFII-B-0	C
SCALE NONE		SHEET 2 OF 3

8

DUA KDF11-B-0

6

5

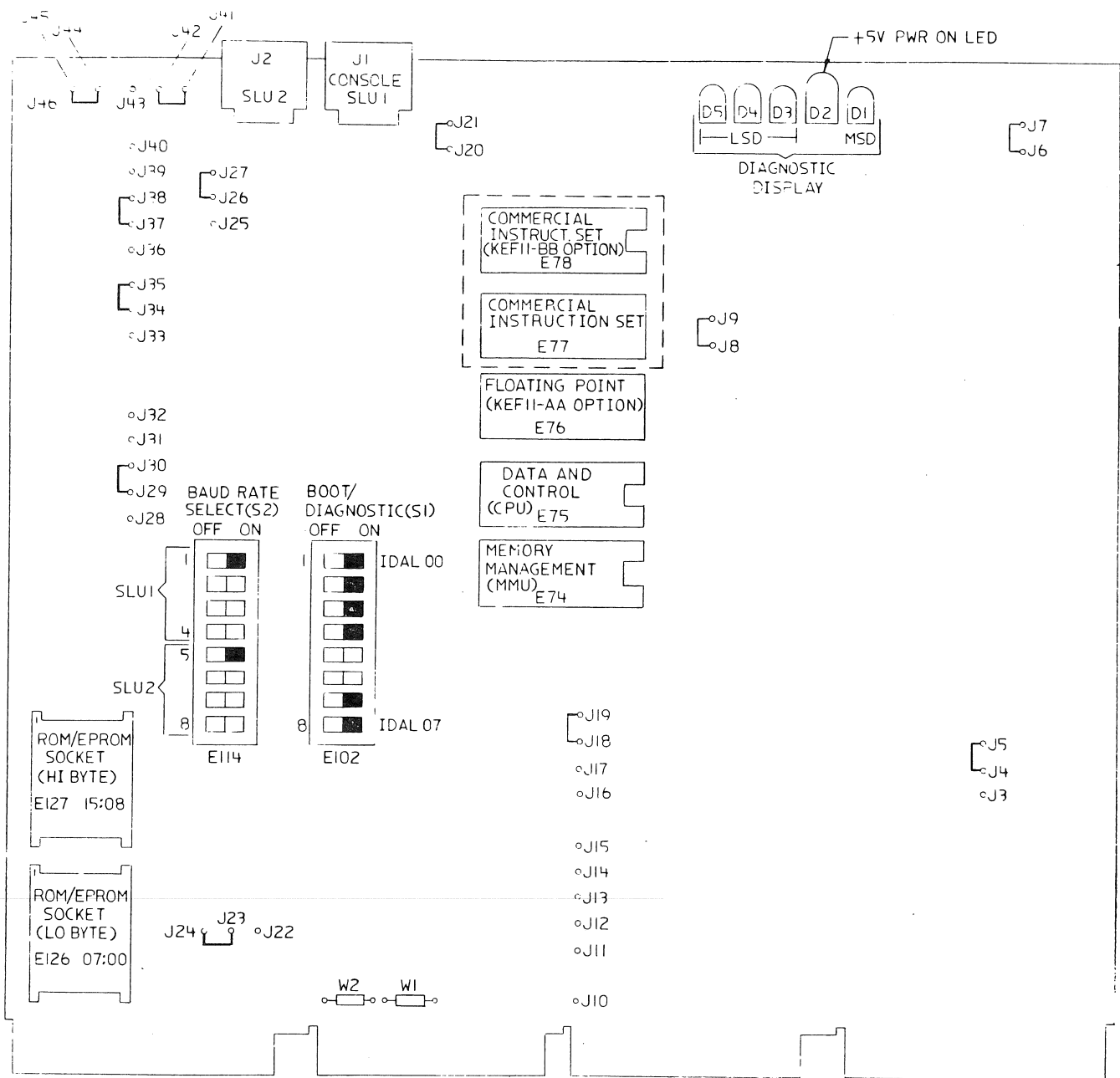
4

3

2

1

THE DRAWING AND THE SPECIFICATIONS CONTAINED HEREIN ARE THE PROPERTY OF DIGITAL EQUIPMENT CORPORATION AND SHALL NOT BE REPRODUCED OR TRANSMITTED IN ANY FORM OR BY ANY MEANS, ELECTRONIC OR MECHANICAL, INCLUDING PHOTOCOPYING, RECORDING, OR BY ANY INFORMATION STORAGE AND RETRIEVAL SYSTEM, WITHOUT THE WRITTEN PERMISSION OF DIGITAL EQUIPMENT CORPORATION.



NOTES

1. INSTALLED JUMPERS SHOW THE FACTORY CONFIGURATION.
2. SWITCHES S1-1,2,3,4,7,8 & S2-1,5 ARE SHOWN IN "ON" POSITION.

KDF11-BE JUMPER, SWITCH & DIAGNOSTIC DISPLAY LOCATIONS

REVISION HISTORY		
REV	ECO NUMBER	DATE

TITLE KDF11-B CPU UNIT ASSEMBLY

DOCUMENT NUMBER		
SIZE	CODE	NUMBER
D	UA	KDF11-B-0
SCALE NONE		SHEET 3 OF 3

DRD 137C

7

6

5

4

3

2

1

LINE	ITEM	DOCUMENT NUMBER	PART NUMBER	DESCRIPTION	QUANTITY PER VARIATION		
					BA	BB	BC
1	1		M8189-00	KDF11-B QUAD HT CPU,Q AND Q-22 B	1	1	1
2	2		2115542-01	DC 304 F11 MMU,FLOAT PT REG	1	1	-
3	3		5700001-00	HYBRID ASSY FLOATING POINT	-	1	-
4	4		23244E2-00	E2-04	1	1	1
5	5		23245E2-00	E2-04	1	1	1
6	6		H3270-00	TEST CONNECTOR	1	1	1

7 NOTE: ITEM #6, THE WRAP-AROUND-TEST JUMPER FOR CONNECTOR J2, IS NOT SHOWN ON UA DWG.
 8 NOTE: FOR BULK INTERPLANT SHIPMENT OF MODULES REFER TO PACKAGING INSTRUCTION A-SP-3700053-0-0
 9 NOTE: FOR SHIPMENT OF INDIVIDUAL MODULES REFER TO PACKAGING INSTRUCTION A-SP-3700069-0-0

REVISION HISTORY			BASIC PART NO: KDF11		DRN: P. BROSNIHAN		DATE: 21-JAN-81		D I G I T A L			
ENG	ECO NUMBER	REV	SECTION A OF A	CHK'D:	G. MARINI	DATE:	27-MAY-81	TITLE	PARTS LIST			
---	INITIAL	A	SECTION. VARIATION INDEX [A] BA, BB, BC					KDF11-B CPU UNIT ASSEMBLY				
			[B]	DES.ENG.:	C. VALENTINE	DATE:	21-JAN-81					
			[C]					DOCUMENT NUMBER				
			[D]	RESP.ENG.:	C. VALENTINE	DATE:	21-JAN-81	SIZE	CODE	NUMBER	REV	
			[E]	MFG.ENG.:	T. OLMO	DATE:	27-APR-81	K	PL	KDF11-B-DGP	A	
			[F]	ASSEMBLY NUMBER:	C-UA-KDF11-B-0	TOP DOCUMENT NUMBER:	#B-DD-KDF11-B	FILE NAME:	Z2423A.PLS	EDIT #	4	

"THIS DRAWING AND SPECIFICATIONS HEREIN, ARE THE PROPERTY OF DIGITAL EQUIPMENT CORPORATION AND SHALL NOT BE REPRODUCED OR COPIED OR USED IN WHOLE OR IN PART AS THE BASIS FOR THE MANUFACTURE OR SALE OF ITEMS WITHOUT WRITTEN PERMISSION. COPYRIGHT (C) 1981. DIGITAL EQUIPMENT CORPORATION"

DRAWING NO.	NO. OF SHTS.	PART NO.	DESCRIPTION	REVISIONS																			
				1	2	3	4	5	6	7	8	9	10	11	12								
		M8189-00	KDF11-B CPU MODULE																				
D-UA-M8189-0-0	2		KDF11-B CPU MODULE	A	A	A																	
K-PL-M8189-0-DBP	3		KDF11-B CPU MODULE	A	A	B																	
K-PC-M8189-0-DBI			P.C. DESIGN DATA BASE	C	C	C																	
		5014313-00	P.C. BOARD	C	C	C																	
D-MD-5014313-0-0	6		DRILL & ETCH DRAWING	A	B	B																	
D-EC-5014313-0-0	2		ETCH CUT DRAWING	A	A	A																	
K-CS-M8189-0-DBS			CIRCUIT DATA BASE	A	A	A																	
D-CS-M8189-0-K1	1		TIMING LOGIC & MIB DECODE	A	A	A																	
D-CS-M8189-0-K2	1		BUS CONTROL LOGIC	A	A	A																	
D-CS-M8189-0-K3	1		SERVICE, RESET & ODT LOGIC	A	A	A																	
D-CS-M8189-0-K4	1		F11 CHIPS & FIXED DATA	A	A	A																	
D-CS-M8189-0-K5	1		CDAL/BDAL INTERFACE	A	A	A																	
D-CS-M8189-0-K6	1		CDAL/IDAL INTERFACE	A	A	A																	
D-CS-M8189-0-K7	1		IDAL ADRS DECODE	A	A	A																	
D-CS-M8189-0-K8	1		BOOT & CLOCK LOGIC	A	A	A																	
D-CS-M8189-0-K9	1		CONSOLE & SECOND SLU	A	A	A																	
D-CS-M8189-0-K10	1		BAUD RATE & -12V	A	A	A																	
D-CS-M8189-0-K11	1		CONFIGURATION GUIDE	A	A	A																	

NOTES:

DATE	CHG NO.	REV.	REVISIONS																				
			1	2	3	4	5	6	7	8	9	10	11	12									
9/83	MLO01	B																					
2/1/83	MLO02	C																					

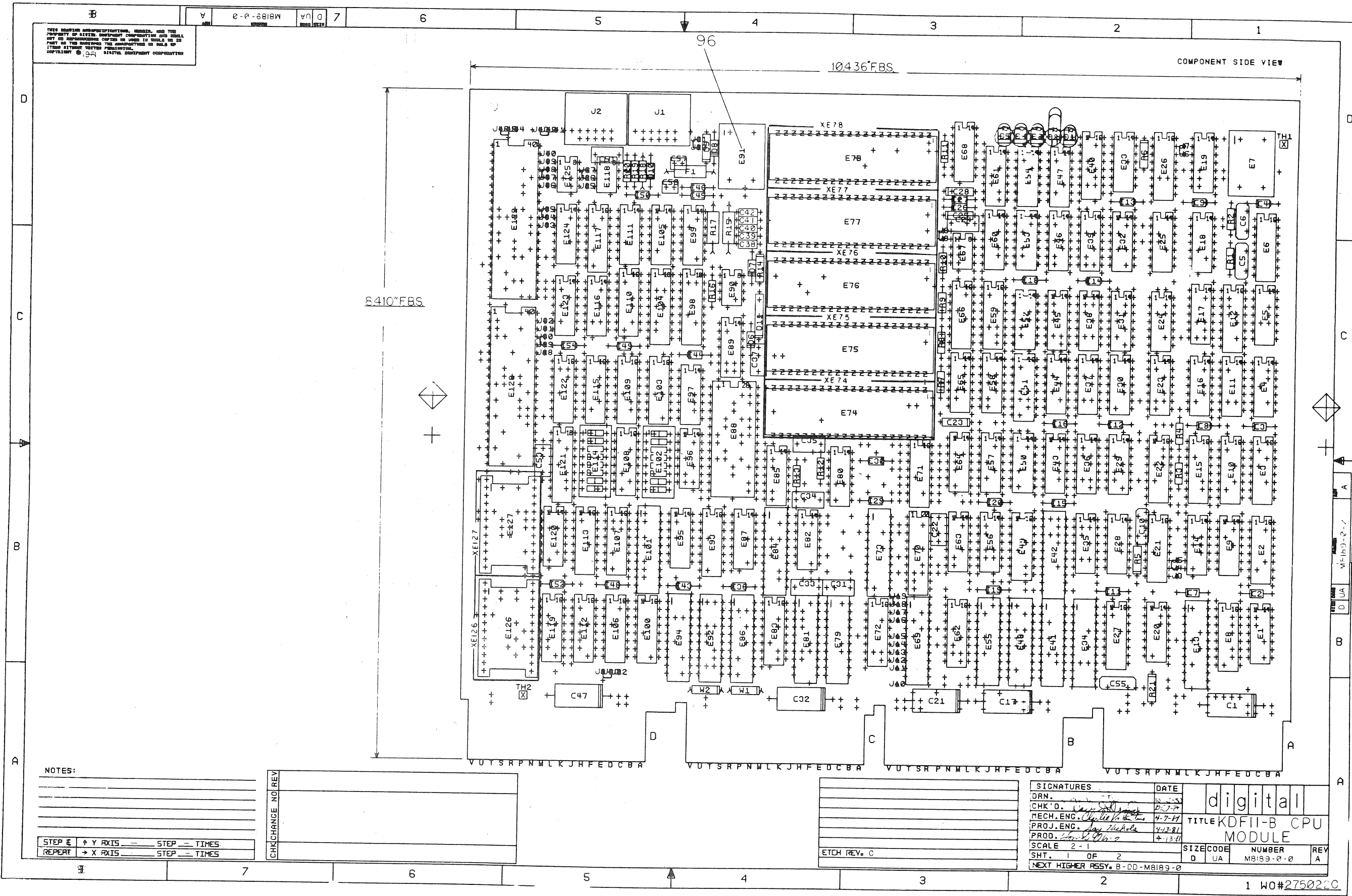
"THIS DRAWING AND SPECIFICATIONS, HEREIN, ARE THE PROPERTY OF DIGITAL EQUIPMENT CORPORATION AND SHALL NOT BE REPRODUCED OR COPIED OR USED IN WHOLE OR IN PART AS THE BASIS FOR THE MANUFACTURE OR SALE OF ITEMS WITHOUT WRITTEN PERMISSION.
 COPYRIGHT © 1981 DIGITAL EQUIPMENT CORPORATION



USED ON OPTION/MODEL	DRN.	DATE
KDF11-B	R. BARILONE	22DEC80
	D. DROZD	22JAN81
	J. NICHOLS	13APR81
	T. OLMO	13APR81

TITLE KDF11-B CPU MODULE			
SIZE B	CODE DD	NUMBER M8189-0	REV. C
SHEET 1 OF 1			

THIS DRAWING REPRESENTS THE DESIGN AND THE PROPERTY OF DIGITAL EQUIPMENT CORPORATION AND SHALL NOT BE REPRODUCED OR USED IN WHOLE OR IN PART IN THE MANUFACTURE OF ANY EQUIPMENT OR IN THE REPAIR OF THE SAME WITHOUT THE WRITTEN PERMISSION OF DIGITAL EQUIPMENT CORPORATION.



NOTES:

STEP	Y AXIS	STEP	TIMES
REPEAT	X AXIS	STEP	TIMES

CHG	NO	REV

ETCH REV. C

SIGNATURES	DATE
DRN.	
CHK'D.	
MECH. ENG.	
PROJ. ENG.	
PROD.	
SCALE 2-1	
SHT. 1 OF 2	
NEXT HIGHER ASSY. B-DD-M8189-0	

digital	TITLE	KDFII-B CPU
		MODULE
	SIZE CODE	NUMBER
	D UA	M8189-0-0
		REV
		A

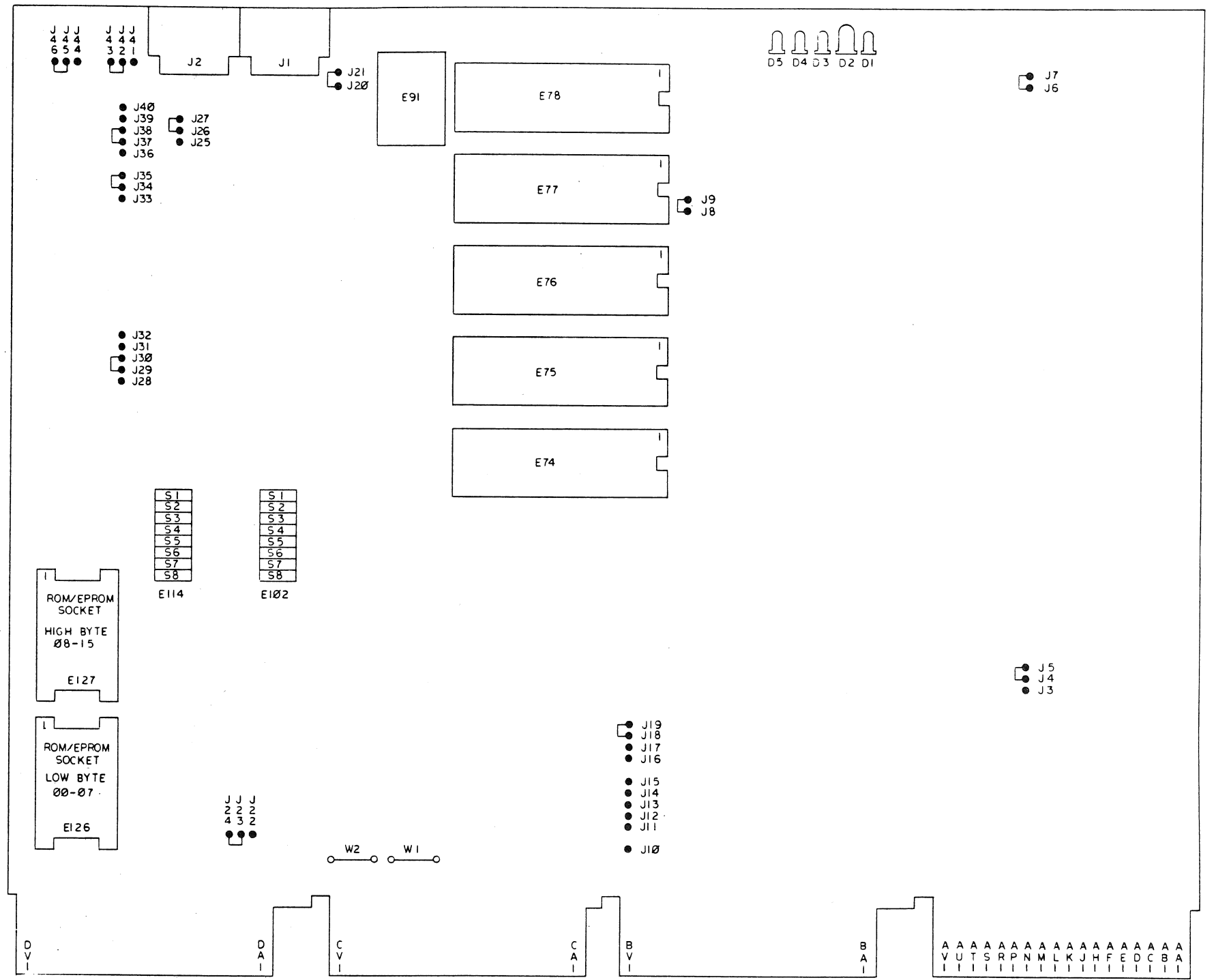
1 WO#275022C

THIS DRAWING AND SPECIFICATIONS, HEREIN, ARE THE PROPERTY OF DIGITAL EQUIPMENT CORPORATION AND SHALL NOT BE REPRODUCED OR COPIED OR USED IN WHOLE OR IN PART AS THE BASIS FOR THE MANUFACTURE OR SALE OF ITEMS WITHOUT WRITTEN PERMISSION.
 COPYRIGHT 1981 DIGITAL EQUIPMENT CORPORATION

JUMPER TABLE			
ITEM NO	DESCRIPTION	FROM	TO
97	MINI JUMPER	J4	J5
		J6	J7
		J8	J9
		J18	J19
		J20	J21
		J23	J24
		J26	J27
		J29	J30
		J34	J35
		J37	J38
J42	J43		
J45	J46		

SEE NOTE 1

NOTES: 1. WHEN MASKED ROM'S ARE USED, CONNECT J24 TO J23, J22 IS NOT CONNECTED.
 WHEN EPROM'S ARE USED, CONNECT J22 TO J23, J24 IS NOT CONNECTED.



REVISION HISTORY		
DATE	ECO NUMBER	REV.

DOCUMENT NUMBER		
SIZE CODE	NUMBER	REV.
DUA	M8189-0-0	A
SCALE		SHEET 2 OF 2

TITLE: KDF11-B CPU MODULE

REV. A
 NUMBER M8189-0-0
 SIZE CODE DUA

AUTOMATED BY PRTLST.3P(44)

PARTS LIST

SHEET A1 OF A3

LINE	ITEM	DOCUMENT NUMBER	PART NUMBER	DESCRIPTION	QTY	PER VARIATION	REFERENCE DESIGNATOR
1	1	D-MD-5014313-0-0	5014313-00	DRILL AND ETCH FOR M8189	1		
2	2		1000022-00	270.0 MMF 100V 5%200PPM MICA	1		C10
3	3		1000024-00	470.0 MMF 100V 5%200PPM MICA	3		C5, C6, C55
4	4		1001610-00	.01 MFD 50V +80-20% Z5U CER	3		C26, C27, C30
5	5		1012784-00	.047 MFD 50V +80-20% CER	29		C2, C4, C7-C9, C11-C16, C18-C20, C23, C25, C28, C29, C36, C43-C46, C48-C50, C52, C54
6	6		1016681-00	.47 MFD 50V +80-20% CER	14	CONT	C22, C24, C31, C33-C35, C37-C42, C51, C53
7	7		1017472-00	10 MFD 35V +50-10% AL EL	5	CONT	C1, C17, C21, C32, C47
8	8		1011740-02	1800.0 MMF 50V 10% CER	2		C56, C57
9	9		1109977-00	1N 749A VZ= 4.3 5%	1		D9
10	10		1112689-00	LED .8MCD@16MA VF=5V	4		D1, D3-D5
11	11		1114384-00	LED 105MW 35MA GREEN	1		D2
12	12		1100114-00	D 664 QS\75PCB PIV= 25V SP	3		D6-D8
13	13		1110967-00	1N 4005 PIV=600 I= 1A D041 SI	1		D10
14	14		1105508-00	1N 823 VZ= 6.2 5% .40W Y	1		D11
15	15		1213506-04	PCB HEADER 09PIN(2X05).100CC 90D	2		J1, J2
16	16		1215006-06	SKT, IC 24PIN DIP TIN SOLD	2		XE126, XE127
17	17		1216116-00	SKT, IC 40PIN DIP GOLD CARR	5		XE74-XE78
18	18		1210929-02	FUSE, SUB-MINI 1.000A, 125V, A	1		F1
19	19		1211164-04	SW, DIP 08POS/1PST 5VDC100MA F	2		E102, E114
20	20		1213113-01	HANDLE, MODULE,	1		
21	21		1300229-00	100.0 .25 W 5.0 % CF	1		R7
22	22		1300316-00	470.0 .25 W 5.0 % CF	3		R6, R12, R16
23	23		1300365-00	1.0 K .25 W 5.0 % CF	4		R3, R4, R8, R11
24	24		1300488-00	12.0 K .25 W 5.0 % CF	2		R19, R20
25	25		1301322-00	180.0 .25 W 5.0 % CF	1		R13
26	26		1301808-00	22.0 K .25 W 5.0 % CF	1		R18
27	27		1302177-00	47.0 K .25 W 5.0 % CF	2		R1, R2

REVISION HISTORY			BASIC PART NO: M8189		DRN: R. BUREAU		DATE: 11-JUL-80		DIGITAL			
ENG	ECO NUMBER	REV	SECTION A OF A	CHK'D:	BOB BARILONE	DATE:	11-JUL-80	TITLE PARTS LIST				
SC	M8189-ML002	B	[A] 00	DES. ENG:	C.A. VALENTINE	DATE:	14-APR-81	DOCUMENT NUMBER				
			[B]	RESP. ENG.:	JAY NICHOLS	DATE:	14-APR-81	SIZE	CODE	NUMBER	REV	
			[C]	MFG. ENG.:	TOMAS OLMO	DATE:	14-APR-81	K	PL	M8189-0-DBP	B	
			[D]	ASSEMBLY NUMBER:	D-UA-M8189-0-0	TOP DOCUMENT NUMBER:	B-DD-M8189-0-0	FILE NAME:		Z1037B.PLS	EDIT #:	18
			[E]									
			[F]									
			[H]									
			[J]									
			[K]									
			[L]									
			[M]									
			[N]									

"THIS DRAWING AND SPECIFICATIONS HEREIN, ARE THE PROPERTY OF DIGITAL EQUIPMENT CORPORATION AND SHALL NOT BE REPRODUCED OR COPIED OR USED IN WHOLE OR IN PART AS THE BASIS FOR THE MANUFACTURE OR SALE OF ITEMS WITHOUT WRITTEN PERMISSION. COPYRIGHT (C) 1983. DIGITAL EQUIPMENT CORPORATION"

LINE	ITEM	DOCUMENT NUMBER	PART NUMBER	DESCRIPTION	QTY	PER VARIATION	REFERENCE DESIGNATOR
					00		
28	28		1302602-00	56.0 .25 W 5.0 % CF	1		R5
29	29		1309422-00	5.10 .25 W 5.0 % CF	2		R9,R10
30	30		1311003-01	R NETWORK 14-180 14-390 16PIN	3		E8,E27,E62
31	31		1301320-00	1.20 K .25 W 5.0 % CF	1		R21
32	32		1300005-03	R NETWORK 13-10K 5.0 % 14PIN	1		E123
33	33		1300005-07	R NETWORK 15-4.7K 5.0 % 16PIN	3		E72,E108,E122
34	34		1300228-00	100.0 .50 W 5.0 % CF	2		R15,R17
35	35		1303178-00	620.0 .25 W 5.0 % CF	1		R14
36	36		1811660-02	OSCILLATOR, XTAL 5.0688 MHZ	1		E91
37	37		1811660-20	OSCILLATOR, XTAL 26.666 MHZ	1		E7
38	38		1910544-00	74S74 FF-D DUAL,EDGE TRIGG	8		E17,E19,E29,E30,E36,E38,E43,E50
39	39		1910548-00	74S157 MUX 1 OF 2 (QUAD)	1		E15
40	40		1910550-00	74S174 FF-D HEX	5		E3,E10,E21,E26,E51
41	41		1910957-00	74S175 FF-D QUAD COMMON CLO	4		E12,E22,E40,E59
42	42		1911117-00	*** THIS ITEM IS NOT USED ***	-		
43	43		1911469-00	DEC 8640 RECEIVER,BUS,QUAD,U	3		E1,E20,E63
44	44		1909705-00	DEC 8881 NAND GATE-QUAD 2IN 0	1		E9
45	45		1911675-00	74S138 DECODER/DEMUX 3-8 LI	1		E66
46	46		1911712-00	74S51 AND-OR GATE-INVERT D	1		E45
47	47		1912098-00	0026 DRIVER,MOS CLOCK,2	1		E90
48	48		1912388-00	74S02 NOR GATE-QUAD 2IN,PO	3		E37,E52,E56
49	49		1912389-00	74S08 AND GATE-QUAD 2IN,PO	4		E11,E28,E39,E96
50	50		1912647-00	LS257 MUX 1 OF 2 (QUAD)	6		E83,E100,E106,E110,E113,E119
51	51		1912649-00	LS75 LATCH 4BIT,BISTABLE	1		E49
52	52		1912697-00	LS174 FF-D HEX W/CLEAR	3		E93,E107,E112
53	53		1912730-00	DC 003 INTERRUPT,2 CIRCUIT	2		E98,E104
54	54		1912746-00	DC 74S37 NAND GATE-QUAD 2IN	1		E61
55	55		1912801-00	LS02 NOR-GATE-QUAD 2IN	1		E85
56	56		1912803-00	LS04 INVERTER GATE,HEX	1		E89
57	57		1912804-00	LS05 INVERTER GATE-HEX 1I	2		E82,E87
58	58		1912805-00	LS08 AND GATE-QUAD 2IN,PO	1		E65
59	59		1912807-00	LS10 NAND GATE-TRIPLE 3IN	2		E25,E95
60	60		1912808-00	LS11 AND GATE-TRIPLE 3IN	1		E14
61	61		1912810-00	LS20 NAND GATE-DUAL 4IN	2		E53,E60
62	62		1912816-00	LS32 OR GATE-QUAD 2IN,POS	2		E120,E124
63	63		1912824-00	LS74 FF-D DUAL,EDGE TRIGG	4		E5,E80,E111,E64
64	64		1912846-00	LS155 DECODER,2 OF 4(DUAL)	3		E103,E109,E115
65	65		1912853-00	LS175 FF-D QUAD	1		E117
66	66		1912857-00	LS197 COUNTER,BINARY,PRESET	1		E105
67	67		1912858-00	LS221 ONE SHOT-DUAL,SCHMIT	1		E6
68	68		1912863-00	LS273 FF-D OCTAL W/CLEAR	1		E86
69	69		1912868-00	LS299 SHIFT REG. 8-BIT UNI	2		E92,E101
70	70		1913340-00	74S32 OR GATE-QUAD 2IN	4		E4,E44,E97,E116
71	71		1913462-00	74S240 OCTAL BUFFER,INVERTI	3		E42,E73,E79
72	72		1913671-00	74S374 FF-D OCTAL TRISTATE	1		E70
73	73		1913777-00	LS240 DRIVER,LINE,OCTAL,T	1		E94
74	74		1914085-00	74S260 NOR GATE-DUAL,POS	1		E23
75	75		1915218-00	LS245 TRANSCEIVER,BUS,OCT	2		E81,E84

D	I	G	I	T	A	L	TITLE	SECTION A	OF A	SIZE	CODE	DOCUMENT NUMBER	REV
							KDF11-B CPU MODULE			K	PL	M8189-0-DBP	B

AUTOMATED BY PRTLST.3P(44)

PARTS LIST

SHEET A3 OF A3

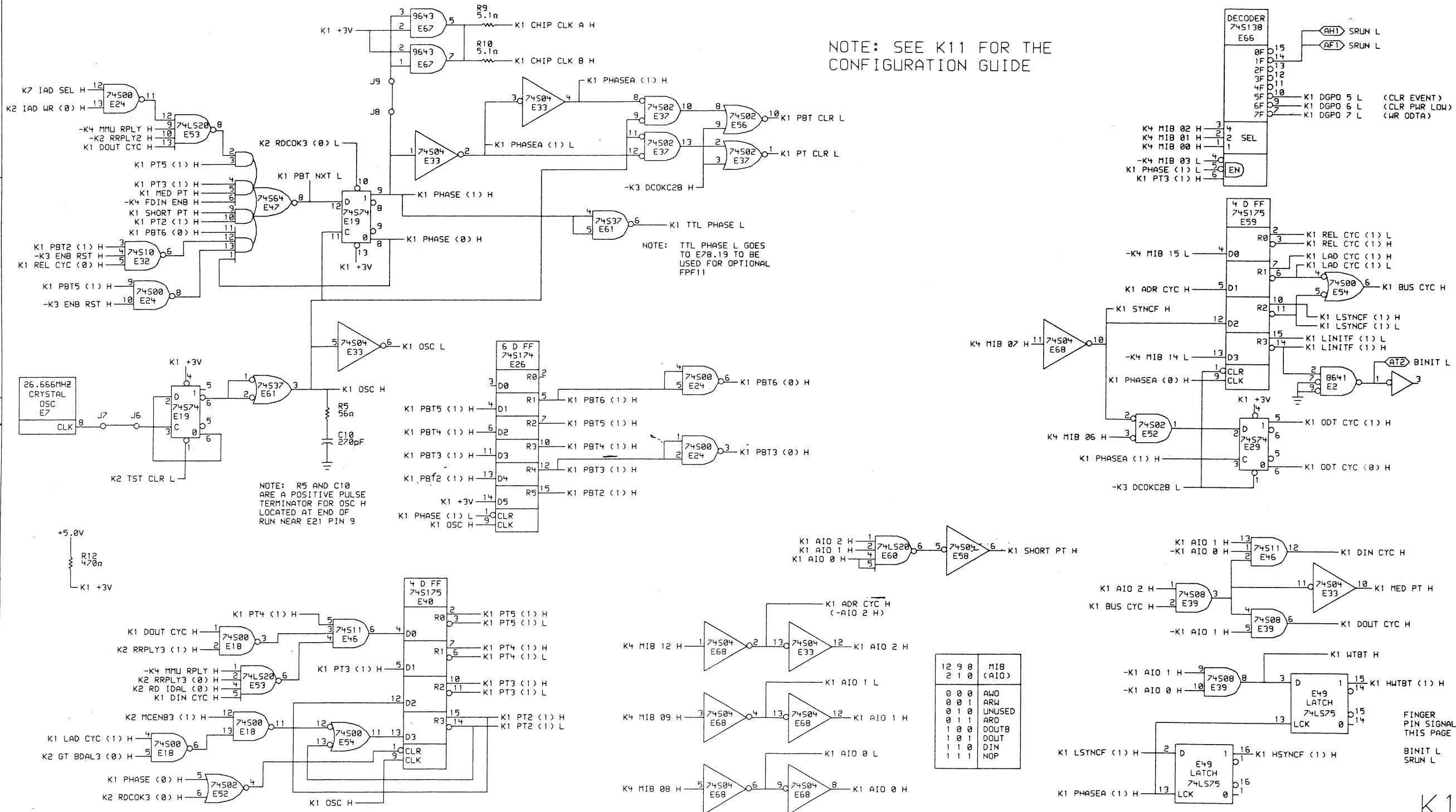
LINE	ITEM	DOCUMENT NUMBER	PART NUMBER	DESCRIPTION	QTY PER VARIATION 00	REFERENCE DESIGNATOR
76	76		1915305-00	AM 2908 TRANSCEIVER,BUS,LATCH	6	E13,E34,E41,E48,E55,E69
77	77		1915415-00	9636 DRIVER,DUAL,EIA RS-	1	E118
78	78		1915416-00	9637 RECEIVER,DUAL,RS-42	1	E125
79	79		1916028-01	9643 DRIVER,TTL TO MOS,D	1	E67
80	80		1910532-00	74S00 NAND GATE-QUAD 2IN	6	E16,E18,E24,E31,E35,E54
81	81		1910534-00	74S04 INVERTER GATE-HEX 1I	4	E33,E58,E68,E99
82	82		1910535-00	74S05 INVERTER GATE-HEX 1	1	E57
83	83		1910536-00	74S10 NAND GATE-TRIPLE 3IN	1	E32
84	84		1910537-00	74S11 AND GATE-TRIPLE 3INP	1	E46
85	85		1910542-00	74S64 A-0-I GATE 4-2-3-2	1	E47
86	87		2112623-00	DUAL BAUD RATE GEN/PROG DIVIDER,	1	E121
87	88		2113937-01	6402-1 UART,UNIV.,ASYNCHRO	2	E128,E129
88	91		23061C6-00	C6-01	1	E88
89	92		5700000-01	DAT/CTL HYBRID ASSY W/FP,DCF11-A	1	E75
90	93		9009149-00	PIN,STAKNG 0.0250DX0.345LG SQUAR	44	J3-J46
91	94		9009185-00	JUMPER, WIRE, INSULATED, BLACK B	2	W1,W2
92	95		9000024-01	EYELET,ROLLED 0.1210DX0.192	6	
93	96		9010213-01	SPACER,DUAL IN-LINE NYLN .450	1	
94	97		1218783-00	JUMPER 02PCS(1X02).100CC	12	
95	98		1911579-00	8641 TRANSCEIVER,BUS,QUA	1	E2

D	I	G	I	T	A	L	TITLE	SECTION A OF A	SIZE	CODE	DOCUMENT NUMBER	REV
							KDF11-B CPU MODULE		K	PL	M8189-0-DBP	B

BASE TIMING - MCLK CTL

MIB DECODE LOGIC

NOTE: SEE K11 FOR THE CONFIGURATION GUIDE



THIS DRAWING AND SPECIFICATIONS ARE THE PROPERTY OF DIGITAL EQUIPMENT CORPORATION AND SHALL NOT BE REPRODUCED OR COPIED OR USED IN WHOLE OR IN PART AS THE BASIS FOR THE MANUFACTURE OR SALE OF ITEMS WITHOUT WRITTEN PERMISSION. COPYRIGHT © 1981, DIGITAL EQUIPMENT CORPORATION.

CHK	CHANGE NO.	REV

digital	DRN: 4-13-81	DATE: 25-MAR-81	DATE: 4-13-81
	CHK: R. Collins	DATE: 4-13-81	DATE: 4-13-81
FIRST USED ON OPTION/MODEL: KDF11-B		NEXT HIGHER ASSEMBLY: B-DD-M8189-0	

SIZE	CODE	NUMBER	REV.
D	CS	M8189-0-K1	A

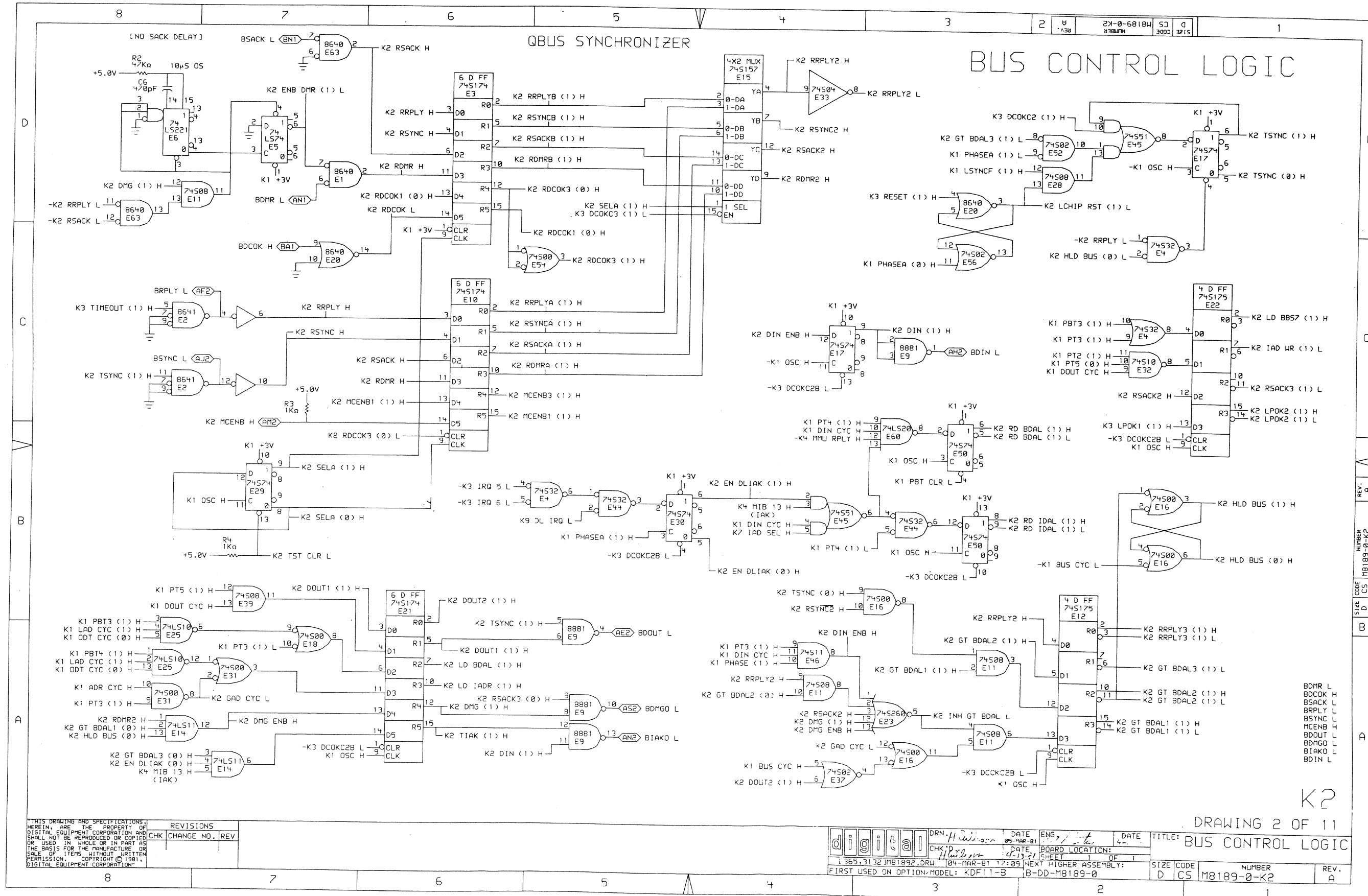
DRAWING 1 OF 11

TITLE: TIMING LOGIC & MIB DECODE

K1

FINGER PIN SIGNALS THIS PAGE

BINIT L SRUN L



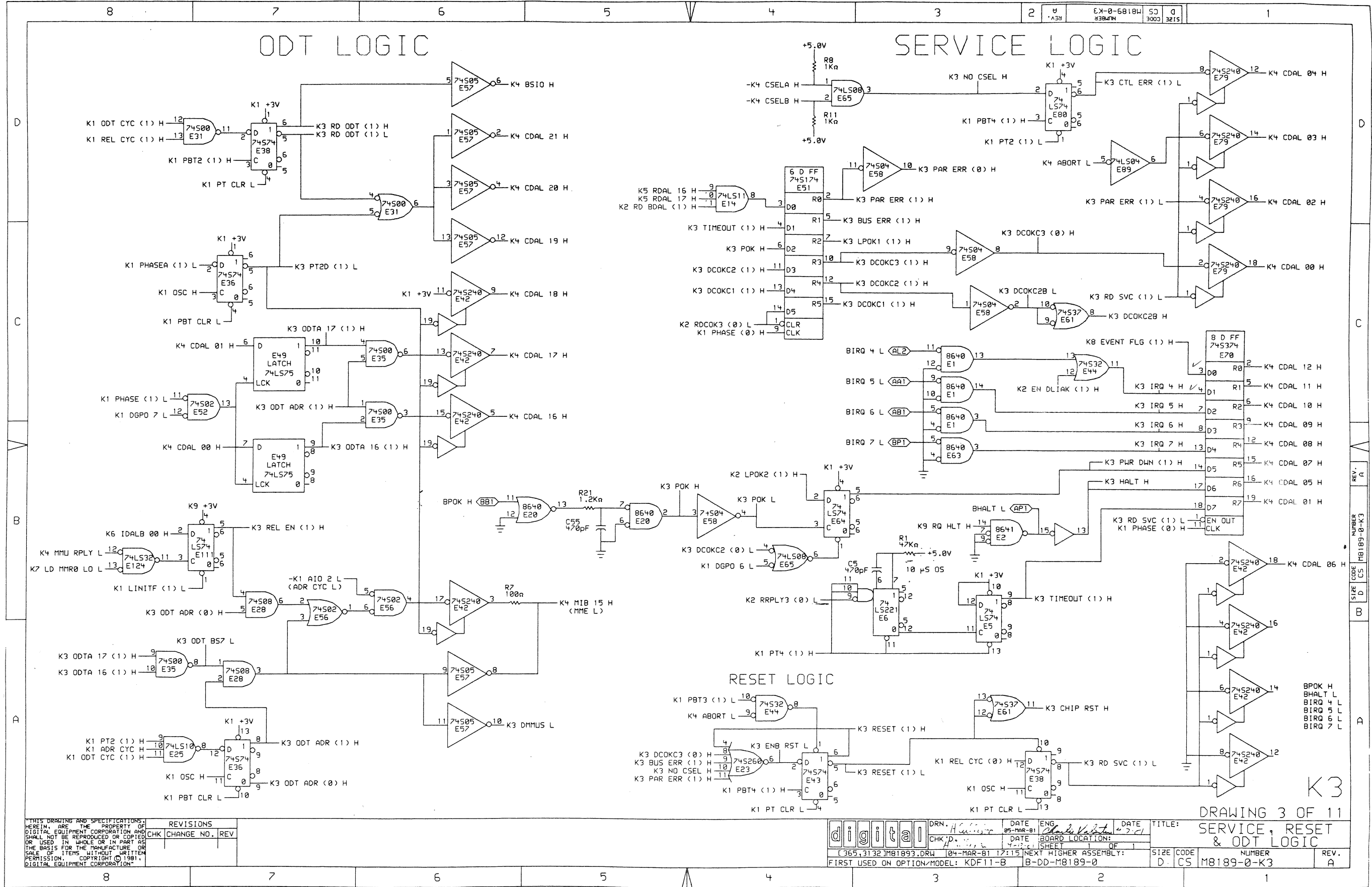
THIS DRAWING AND SPECIFICATIONS ARE THE PROPERTY OF DIGITAL EQUIPMENT CORPORATION AND SHALL NOT BE REPRODUCED OR COPIED OR USED IN WHOLE OR IN PART AS THE BASIS FOR THE MANUFACTURE OR SALE OF ITEMS WITHOUT WRITTEN PERMISSION. COPYRIGHT © 1981, DIGITAL EQUIPMENT CORPORATION.

REVISIONS	
CHK	CHANGE NO. REV

	DRN: H. Wilson	DATE: 05-MAR-81	ENG: J. [unclear]	DATE: [unclear]	TITLE: BUS CONTROL LOGIC
	CHK: [unclear]	DATE: 04-13-81	SHEET: 1	OF: 1	SIZE CODE: D CS
	FIRST USED ON OPTION MODEL: KDF11-3		NEXT HIGHER ASSEMBLY: B-DD-M8189-0		NUMBER: M8189-0-K2

DRAWING 2 OF 11

K2



THIS DRAWING AND SPECIFICATIONS ARE THE PROPERTY OF DIGITAL EQUIPMENT CORPORATION AND SHALL NOT BE REPRODUCED OR COPIED OR USED IN WHOLE OR IN PART AS THE BASIS FOR THE MANUFACTURE OR SALE OF ITEMS WITHOUT WRITTEN PERMISSION. COPYRIGHT © 1981, DIGITAL EQUIPMENT CORPORATION.

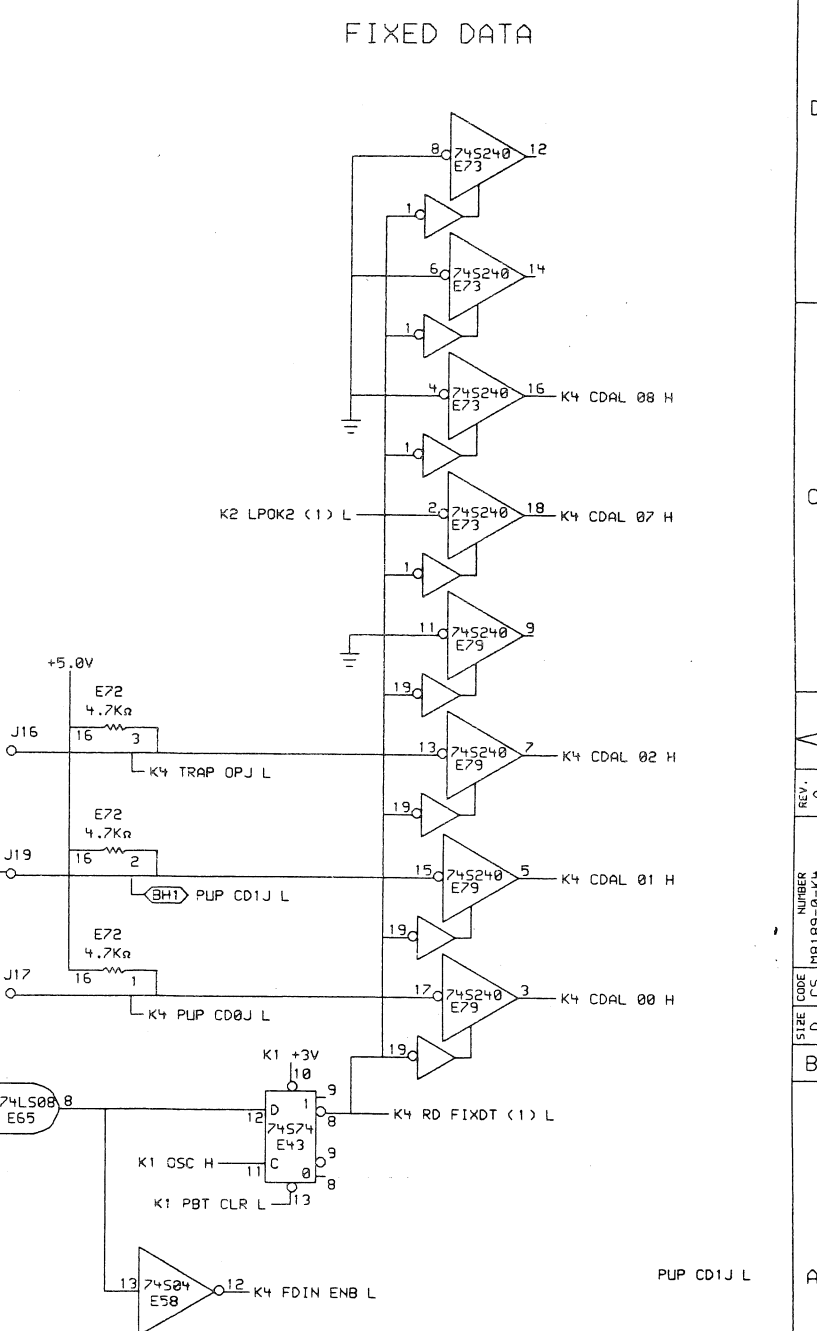
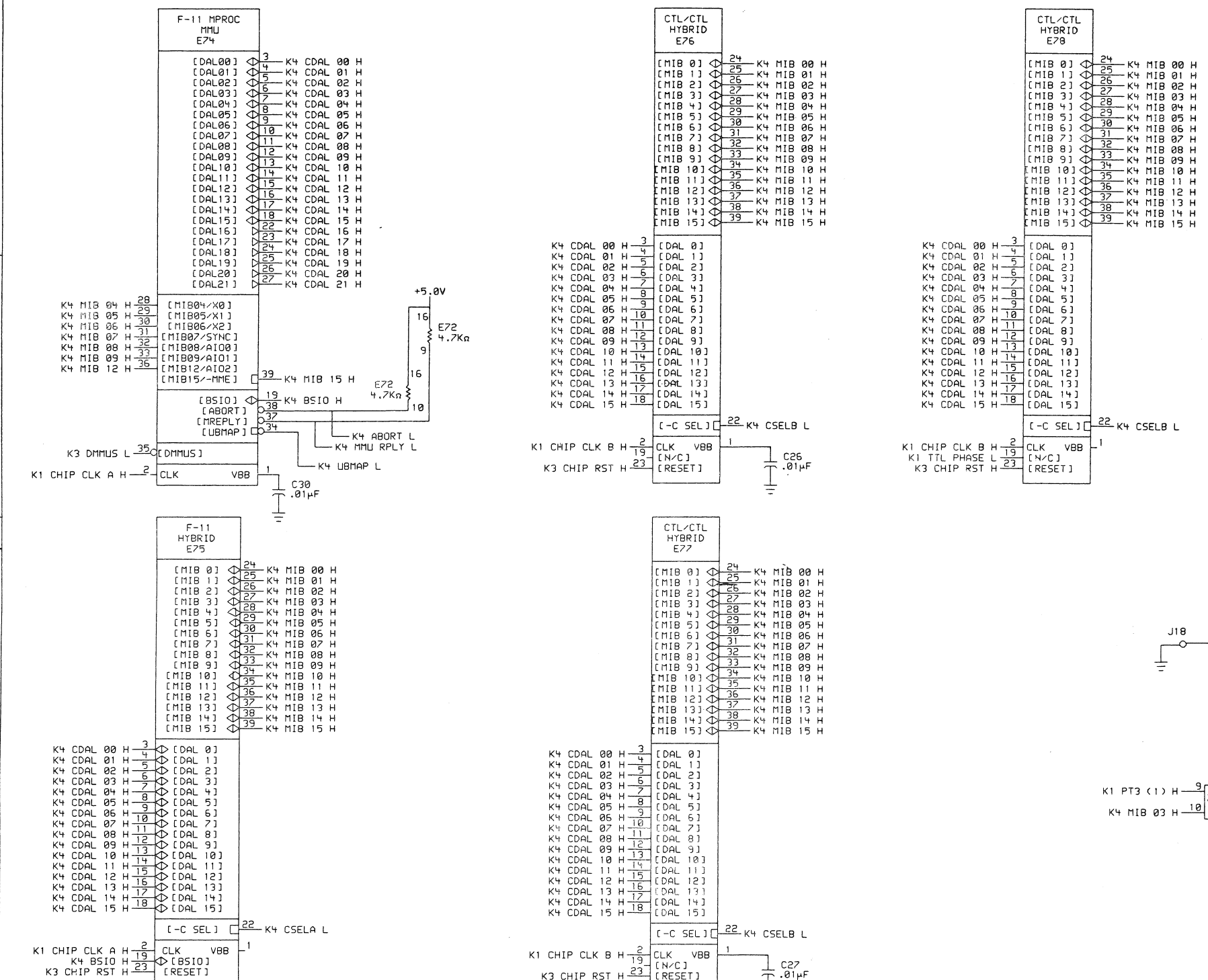
REVISIONS	
CHK	CHANGE NO. REV

digital	DRN. H. ...	DATE 05-MAR-81	ENG. ...	DATE 2-2-81	TITLE: SERVICE, RESET & ODT LOGIC
	CHK. D. ...	DATE 10-MAR-81	BOARD LOCATION: ...	SHEET 1 OF 1	SIZE CODE NUMBER REV. D. CS M8189-0-K3 A
FIRST USED ON OPTION-MODEL: KDF11-B					SIZE CODE NUMBER REV. D. CS M8189-0-K3 A

DRAWING 3 OF 11

K3

- BPOK H
- BHALT L
- BIRQ 4 L
- BIRQ 5 L
- BIRQ 6 L
- BIRQ 7 L



K4

DRAWING 4 OF 11

THIS DRAWING AND SPECIFICATIONS ARE THE PROPERTY OF DIGITAL EQUIPMENT CORPORATION AND SHALL NOT BE REPRODUCED OR COPIED OR USED IN WHOLE OR IN PART AS THE BASIS FOR THE MANUFACTURE OR SALE OF ITEMS WITHOUT WRITTEN PERMISSION. COPYRIGHT © 1981, DIGITAL EQUIPMENT CORPORATION.

REV.	CHG	NO.	REV.

digital	DRN: H. J. ...	DATE: 05-MAR-81	ENG: ...	DATE: 4-7-81
	CHK: D. ...	DATE: ...	BOARD LOCATION: ...	SHEET 1 OF 1
FIRST USED ON OPTION/MODEL: KDF11-B 3-DD-M8189-0				

TITLE: F11 CHIPS & FIXED DATA	SIZE CODE D CS	NUMBER M8189-0-K4	REV. A
-------------------------------	----------------	-------------------	--------

8

7

6

5

4

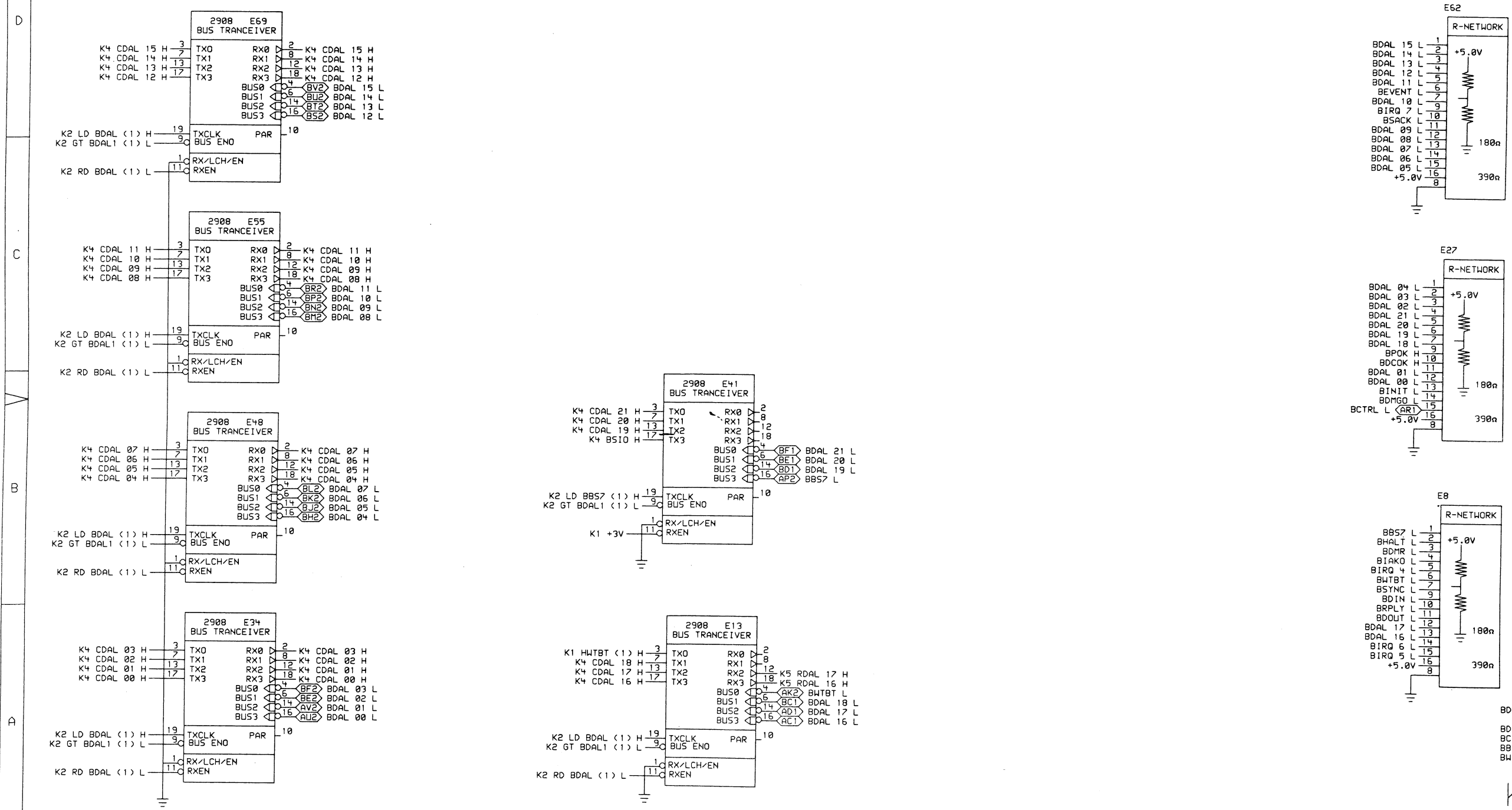
3

2

1

REV. A NUMBER M8189-0-K5 SIZE CODE D CS

QBUS TERMINATORS



BDAL 00 L TO BDAL 21 L BCTRL L BBS7 L BHTBT L

K5

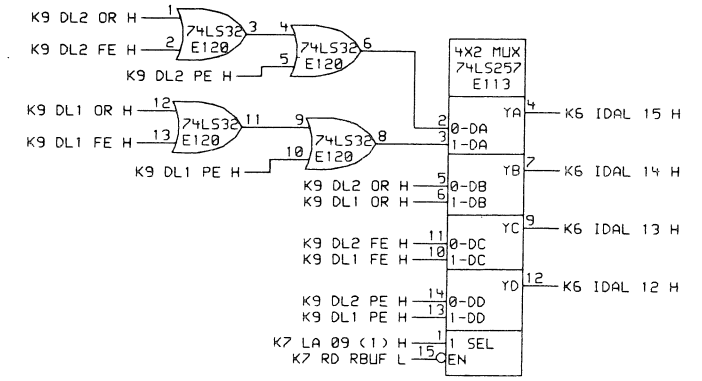
DRAWING 5 OF 11

REV.	CHANGE NO.	REV

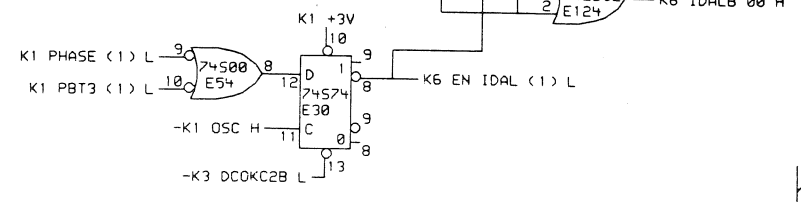
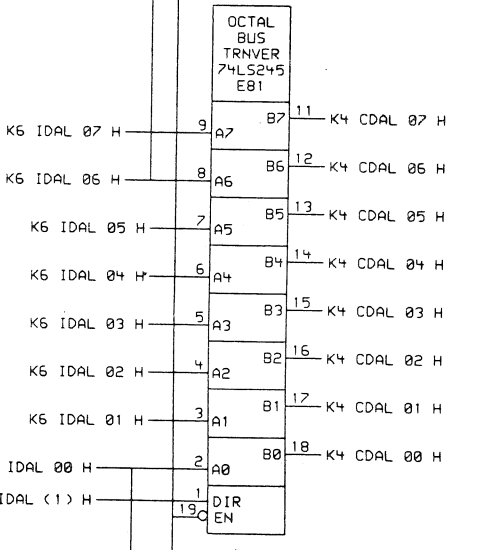
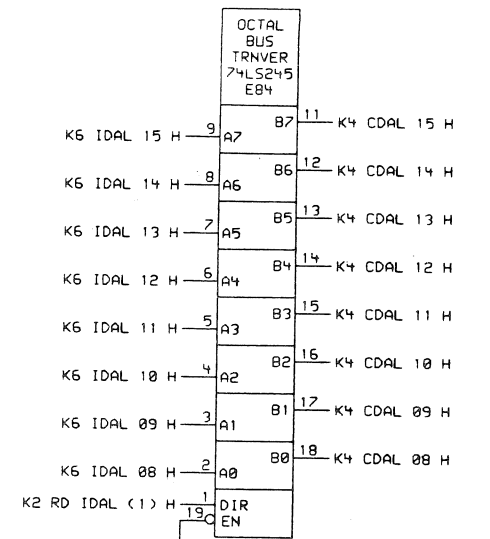
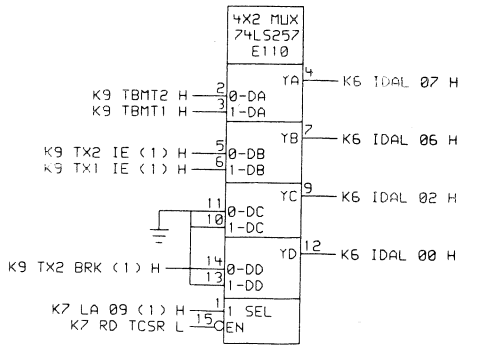
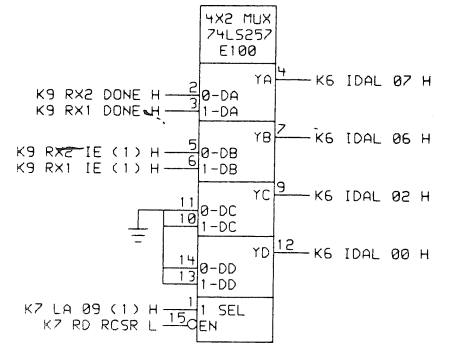
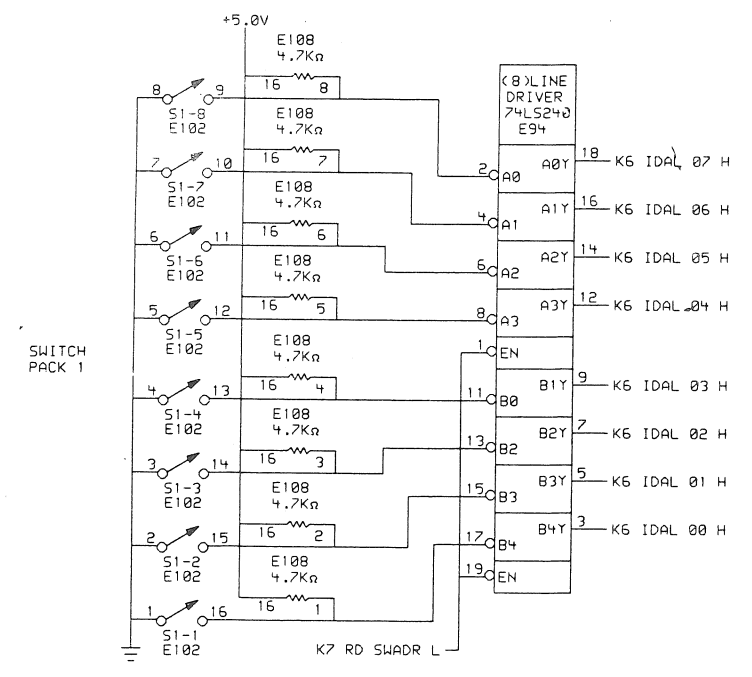
digital	DRN: <i>H. Sullivan</i>	DATE: 05-MAR-81	ENG: <i>Charles Valters</i>	DATE: 4-7-81	TITLE: CDAL/BDAL INTERFACE
	CHK'D: <i>H. Sullivan</i>	DATE: 5-3-81	BOARD LOCATION: 1	SHEET: 1 OF 1	
E:\365.3132\M81895.DRW 05-MAR-81 09:25 NEXT HIGHER ASSEMBLY: 13-DD-M8189-0					
SIZE	CODE	NUMBER	REV.		
D	CS	M8189-0-K5	A		

CDAL/IDAL TRANSCEIVERS

SLU's READ STATUS



BOOT SWITCHES



K6

DRAWING 6 OF 11

THIS DRAWING AND SPECIFICATIONS ARE THE PROPERTY OF DIGITAL EQUIPMENT CORPORATION AND SHALL NOT BE REPRODUCED OR COPIED OR USED IN WHOLE OR IN PART AS THE BASIS FOR THE MANUFACTURE OR SALE OF ITEMS WITHOUT WRITTEN PERMISSION. COPYRIGHT © 1981, DIGITAL EQUIPMENT CORPORATION.

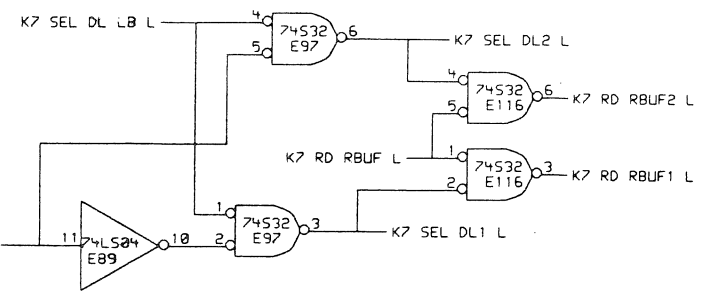
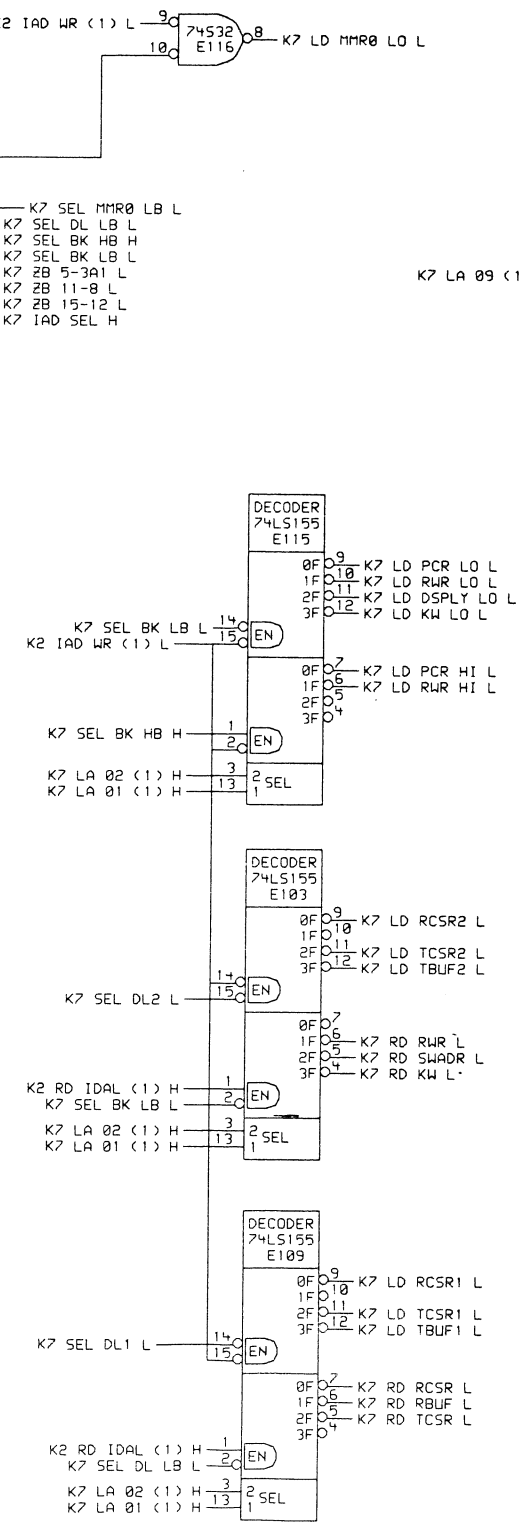
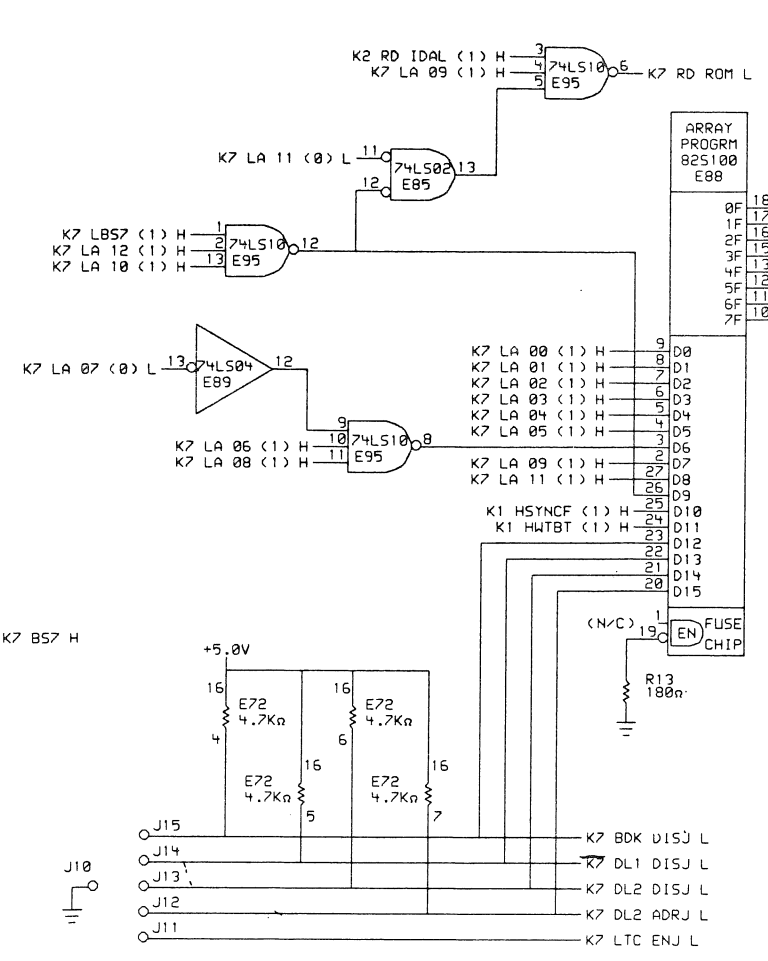
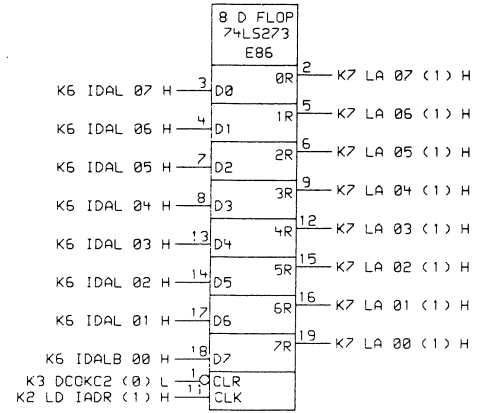
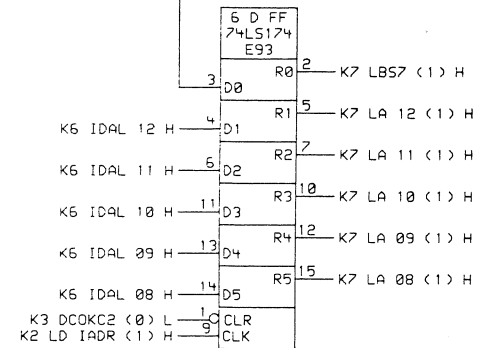
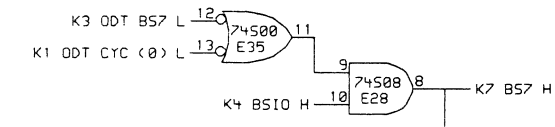
REVISIONS	CHK	CHANGE NO.	REV

digital

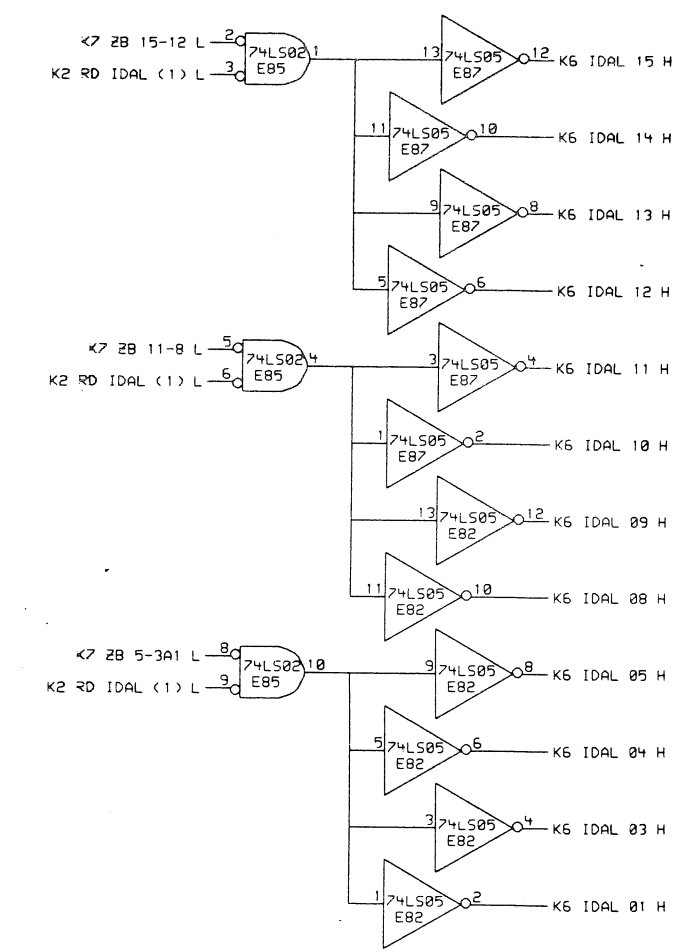
DRN.	DATE	ENG.	DATE	TITLE:
CHK'D.	DATE	BOARD LOCATION:	SHEET	OF
FIRST USED ON OPTION-MODEL: KDF11-B				NEXT HIGHER ASSEMBLY: B-DD-M8189-0

SIZE	CODE	NUMBER	REV.
D	CS	M8189-0-K6	A

LATCHED INTNL
ADRS REG



ZERO BIT ASSERTION



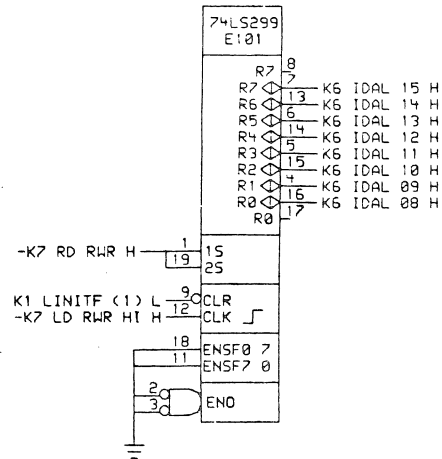
K7
DRAWING 7 OF 11

THIS DRAWING AND SPECIFICATIONS
HEREIN ARE THE PROPERTY OF
DIGITAL EQUIPMENT CORPORATION AND
SHALL NOT BE REPRODUCED OR COPIED
OR USED IN WHOLE OR IN PART AS
THE BASIS FOR THE MANUFACTURE OR
SALE OF ITEMS WITHOUT WRITTEN
PERMISSION. COPYRIGHT © 1981,
DIGITAL EQUIPMENT CORPORATION.

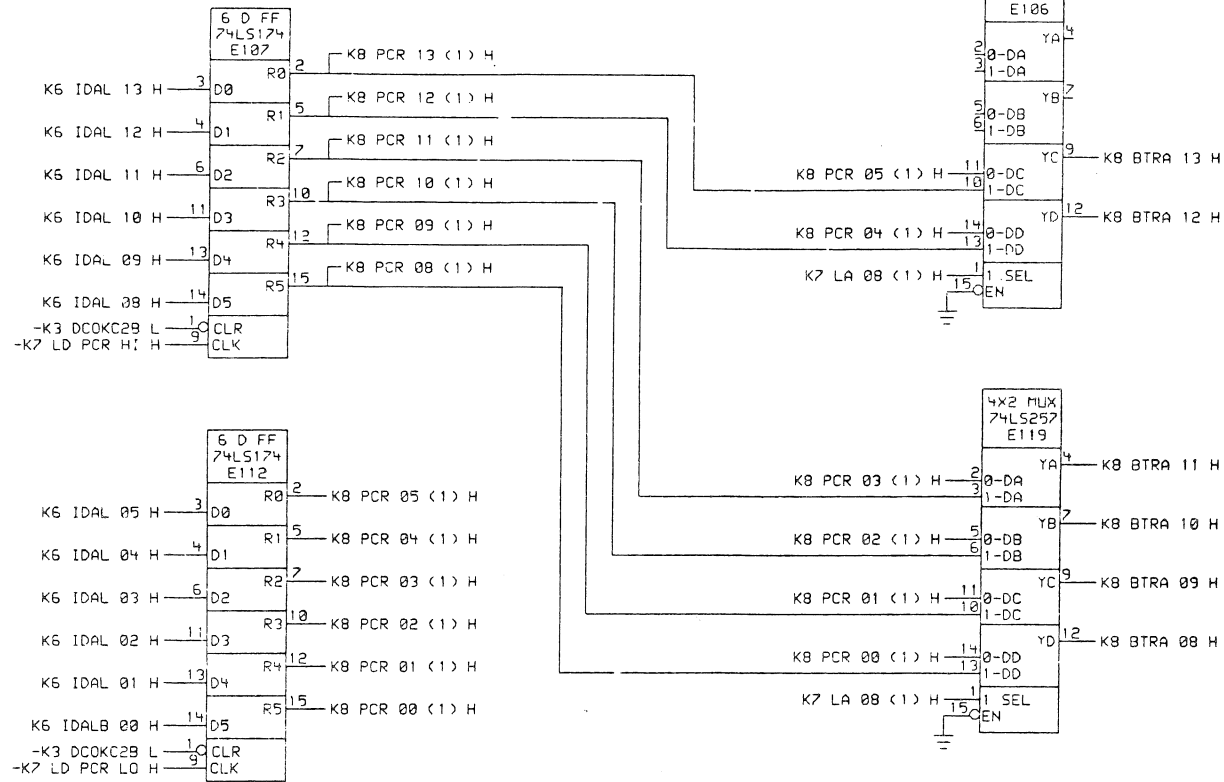
REVISIONS	
CHK	CHANGE NO. REV

digital	DRN.	DATE	ENG.	DATE	TITLE: IDAL ADRS DECODE
	CHK'D.	DATE	BOARD LOCATION:	SHEET 1 OF 1	
FIRST USED ON OPTION/MODEL: KDF11-B 3-UD-M8189-0					SIZE CODE NUMBER REV. D CS M8189-0-K7 A

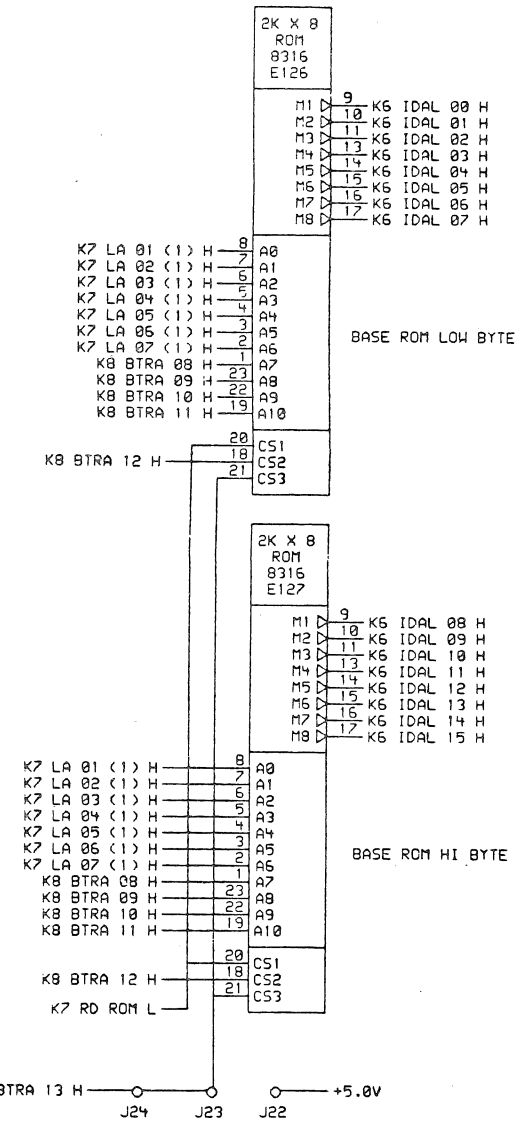
RDWR REG



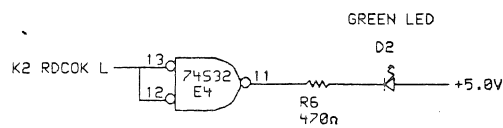
PAGE CTL REG & MUX



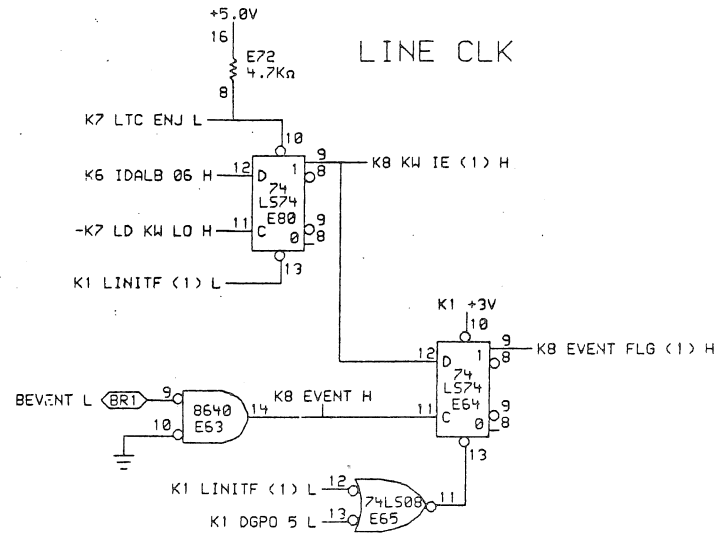
BOOT ROMS



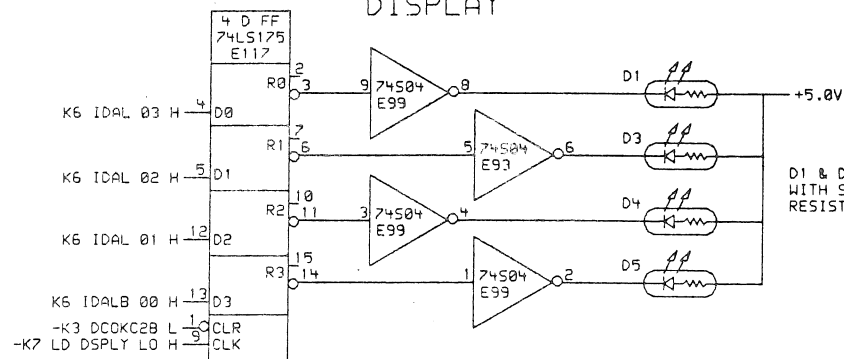
POWER OK LED



LINE CLK



DISPLAY



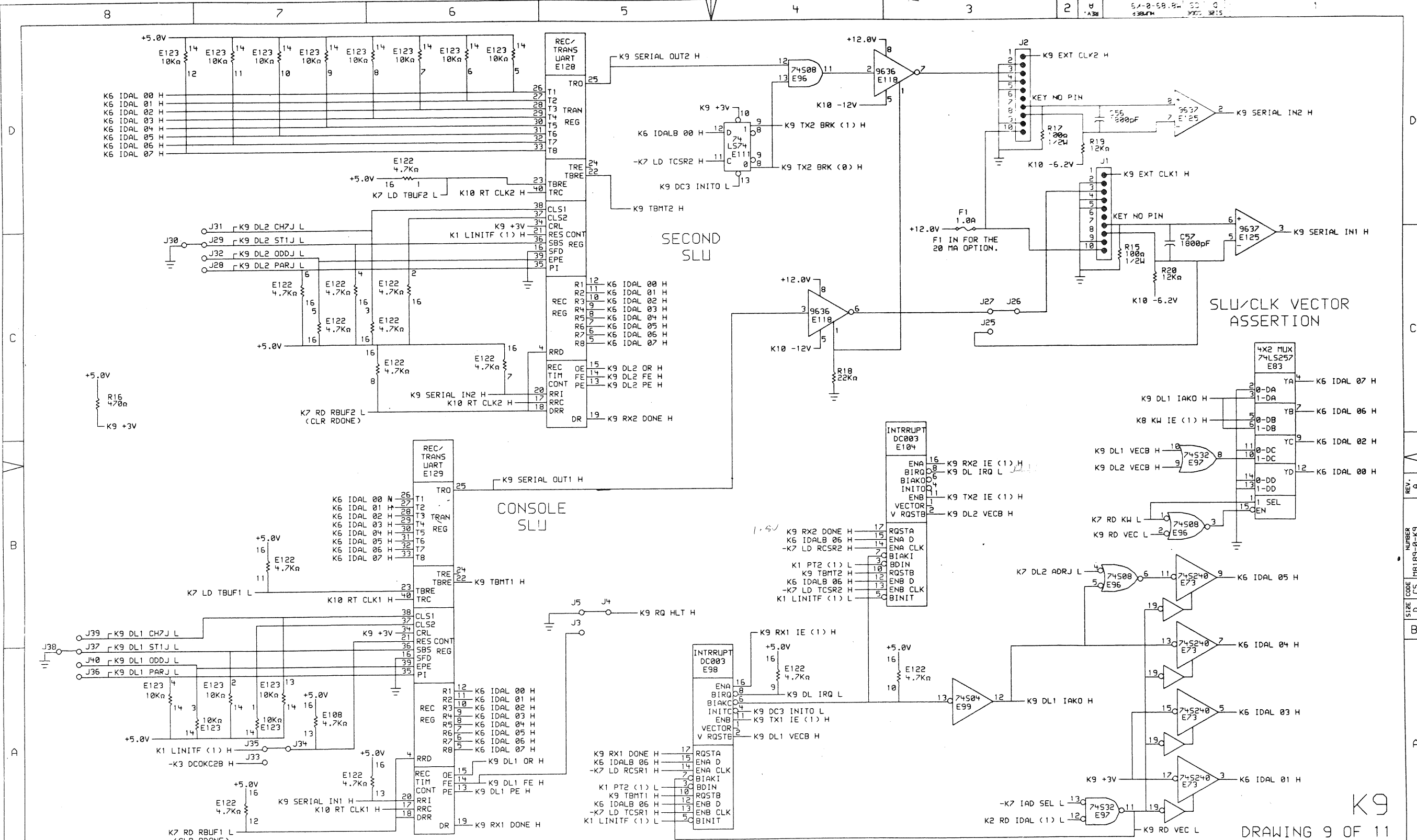
K8

DRAWING 8 OF 11

THIS DRAWING AND SPECIFICATIONS HEREIN ARE THE PROPERTY OF DIGITAL EQUIPMENT CORPORATION AND SHALL NOT BE REPRODUCED OR COPIED OR USED IN WHOLE OR IN PART AS THE BASIS FOR THE MANUFACTURE OR SALE OF ITEMS WITHOUT WRITTEN PERMISSION. COPYRIGHT © 1981, DIGITAL EQUIPMENT CORPORATION.

REVISIONS	
CHK	CHANGE NO. REV

digital	DRN: H. Callison	DATE: 4-10-81	TITLE: BOOT & CLOCK LOGIC
	CHK: P. Callison	DATE: 4-10-81	NUMBER: M8189-0-K8
FIRST USED ON OPTION MODEL: KDF11-B		SIZE: D	REV: A



THIS DRAWING AND SPECIFICATIONS HEREIN ARE THE PROPERTY OF DIGITAL EQUIPMENT CORPORATION AND SHALL NOT BE REPRODUCED OR COPIED OR USED IN WHOLE OR IN PART AS THE BASIS FOR THE MANUFACTURE OR SALE OF ITEMS WITHOUT WRITTEN PERMISSION. COPYRIGHT © 1981, DIGITAL EQUIPMENT CORPORATION.

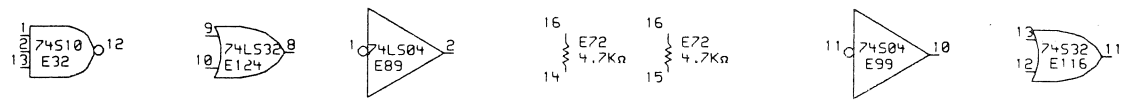
REVISIONS	CHK	CHANGE NO.	REV

digital	DRN: H. Callahan	DATE: 05-MAR-81	ENG: Charles L...	DATE: 4-2-81	TITLE: CONSOLE & SECOND SLU	
	CHK'D: M. ...	DATE: 4-3-81	BOARD LOCATION: SHEET 1 OF 1	SIZE: D	CODE: C5	
FIRST USED ON OPTION/MODEL: KDF11-B					NUMBER: M8189-0-K9	REV: A

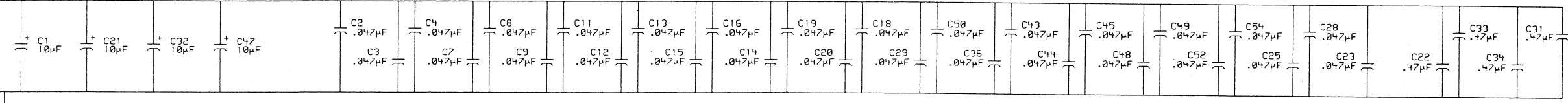
REV. A
NUMBER M8189-0-K9
SIZE D
CODE C5

SPARE GATES

+5.0V



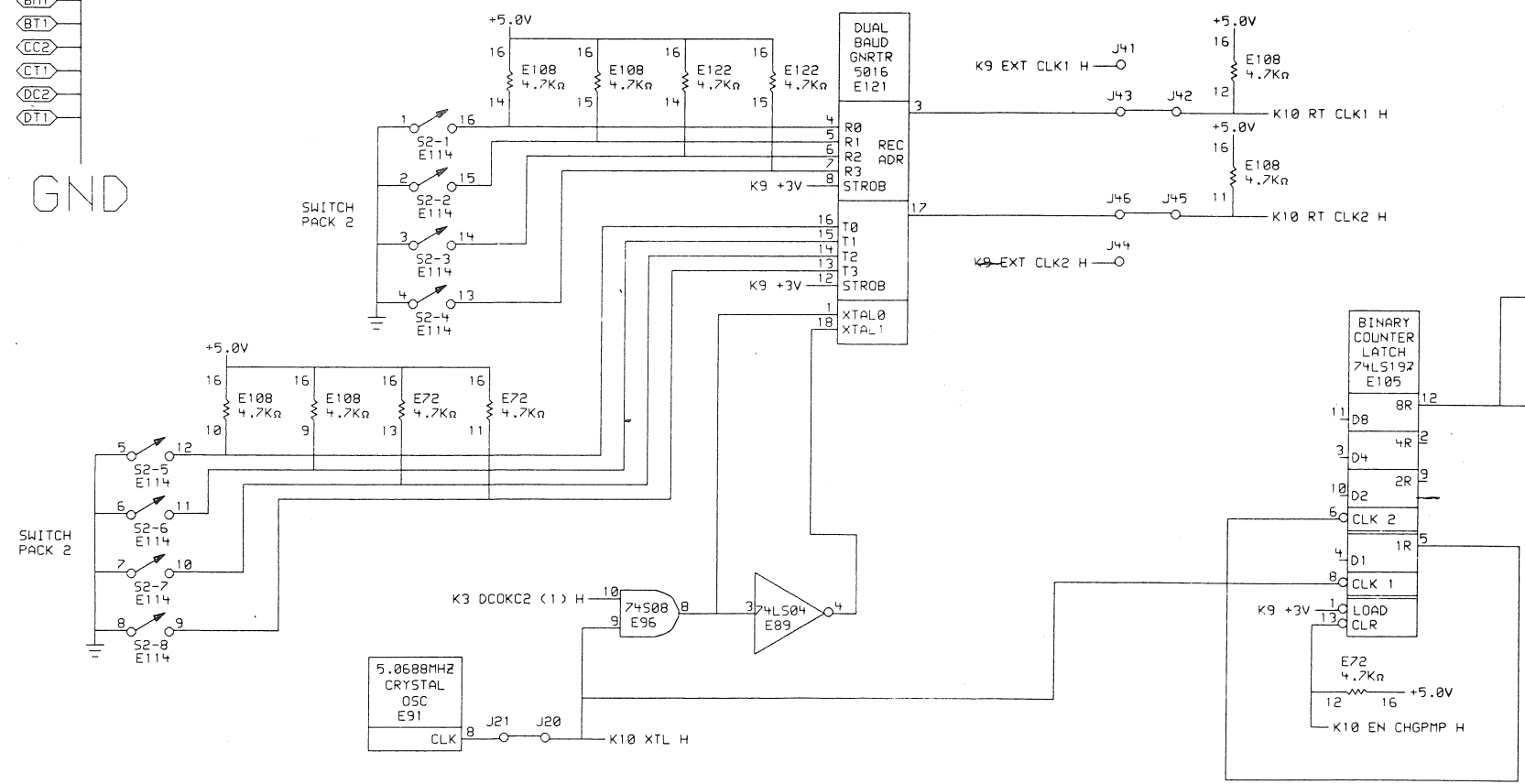
DECOUPLING CAPS



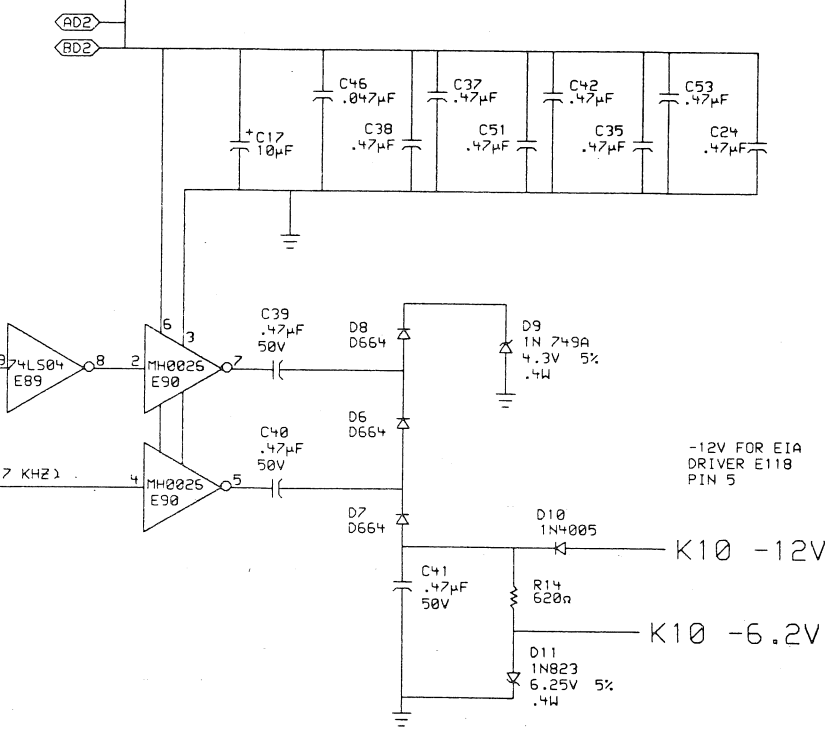
BAUD RATE GENERATOR

- AA2
- BA2
- BV1
- CA2
- DA2
- AC2
- AJ1
- AM1
- AT1
- BC2
- BJ1
- BM1
- BT1
- CC2
- CT1
- DC2
- DT1

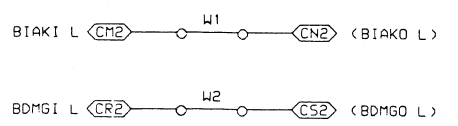
GND



+12.0V



BUS GRANT CONTINUITY



K10

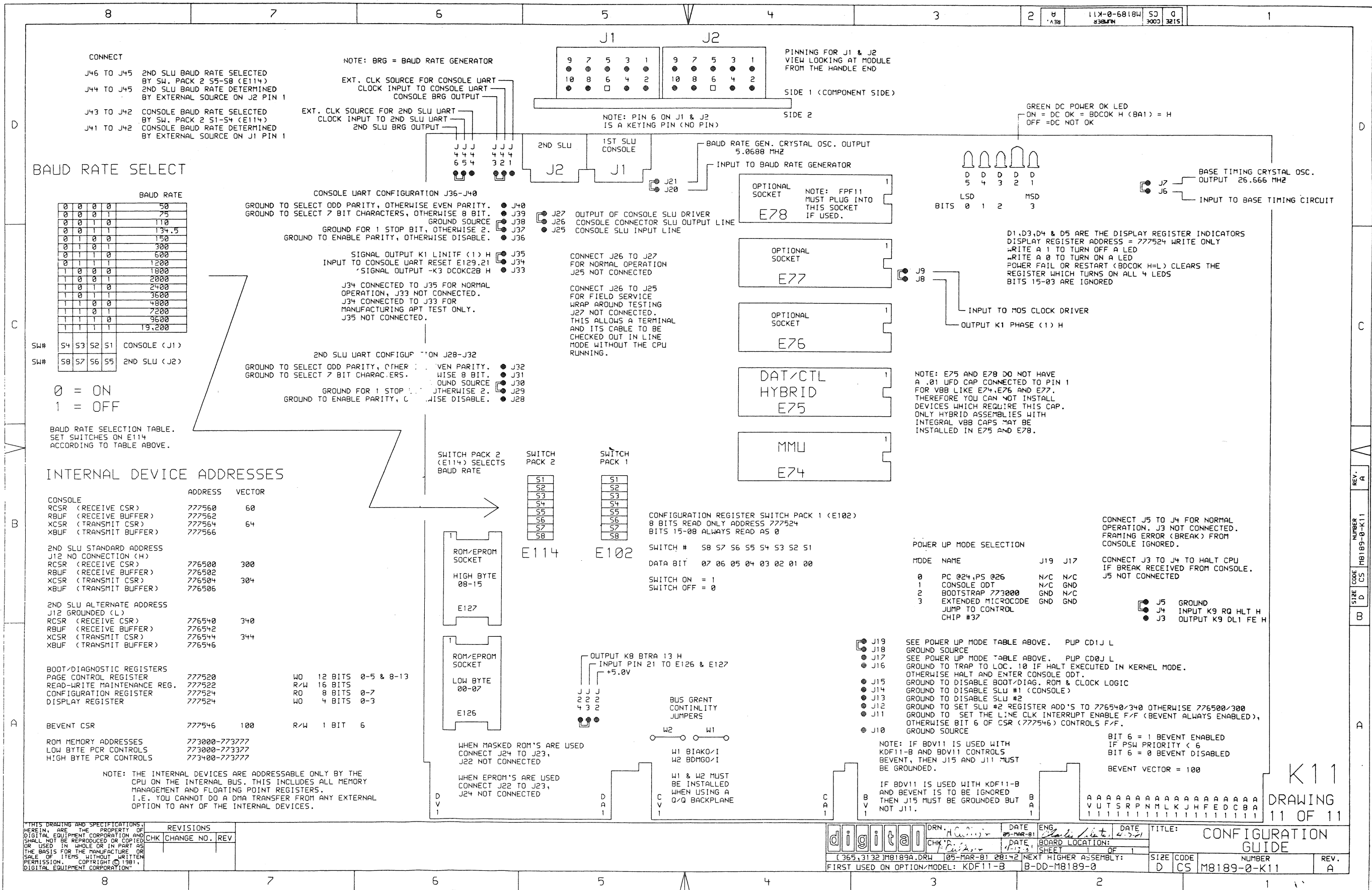
DRAWING 10 OF 11

REV. A
NUMBER MB189-0-K10
SIZE CODE CS
D
B
A

THIS DRAWING AND SPECIFICATIONS HEREIN ARE THE PROPERTY OF DIGITAL EQUIPMENT CORPORATION AND SHALL NOT BE REPRODUCED OR COPIED OR USED IN WHOLE OR IN PART AS THE BASIS FOR THE MANUFACTURE OR SALE OF ITEMS WITHOUT WRITTEN PERMISSION. COPYRIGHT © 1981, DIGITAL EQUIPMENT CORPORATION.

REVISIONS		
CHK	CHANGE NO.	REV

digital	DRN.	DATE	ENG.	DATE	TITLE:
	CHK 10	05-MAR-81		4/7/81	BAUD RATE & -12V
FIRST USED ON OPTION/MODEL: KDF11-3					SIZE CODE
D CS					NUMBER
M8189-0-K10					REV.
					A



CONNECT
 J46 TO J45 2ND SLU BAUD RATE SELECTED BY SW. PACK 2 S5-S8 (E114)
 J44 TO J45 2ND SLU BAUD RATE DETERMINED BY EXTERNAL SOURCE ON J2 PIN 1
 J43 TO J42 CONSOLE BAUD RATE SELECTED BY SW. PACK 2 S1-S4 (E114)
 J41 TO J42 CONSOLE BAUD RATE DETERMINED BY EXTERNAL SOURCE ON J1 PIN 1

BAUD RATE SELECT

BAUD RATE	
0 0 0 0	50
0 0 0 1	75
0 0 1 0	110
0 0 1 1	134.5
0 1 0 0	150
0 1 0 1	300
0 1 1 0	500
0 1 1 1	1200
1 0 0 0	1800
1 0 0 1	2000
1 0 1 0	2400
1 0 1 1	3500
1 1 0 0	4800
1 1 0 1	7200
1 1 1 0	9500
1 1 1 1	19,200

SW#	S4	S3	S2	S1	CONSOLE (J1)
SW#	S8	S7	S6	S5	2ND SLU (J2)

0 = ON
 1 = OFF

BAUD RATE SELECTION TABLE. SET SWITCHES ON E114 ACCORDING TO TABLE ABOVE.

INTERNAL DEVICE ADDRESSES

CONSOLE	ADDRESS	VECTOR
RCSR (RECEIVE CSR)	777560	60
RBUF (RECEIVE BUFFER)	777562	
XCSR (TRANSMIT CSR)	777564	64
XBUF (TRANSMIT BUFFER)	777566	
2ND SLU STANDARD ADDRESS		
J12 NO CONNECTION (H)		
RCSR (RECEIVE CSR)	776500	300
RBUF (RECEIVE BUFFER)	776502	
XCSR (TRANSMIT CSR)	776504	304
XBUF (TRANSMIT BUFFER)	776506	
2ND SLU ALTERNATE ADDRESS		
J12 GROUNDED (L)		
RCSR (RECEIVE CSR)	776540	340
RBUF (RECEIVE BUFFER)	776542	
XCSR (TRANSMIT CSR)	776544	344
XBUF (TRANSMIT BUFFER)	776546	
BOOT/DIAGNOSTIC REGISTERS		
PAGE CONTROL REGISTER	777520	W0 12 BITS 0-5 & 8-13
READ-WRITE MAINTENANCE REG.	777522	R/W 16 BITS
CONFIGURATION REGISTER	777524	RO 8 BITS 0-7
DISPLAY REGISTER	777524	WO 4 BITS 0-3
BEVENT CSR	777546	100 R/W 1 BIT 6
ROM MEMORY ADDRESSES		
LOW BYTE PCR CONTROLS	773000-773377	
HIGH BYTE PCR CONTROLS	773400-773777	

NOTE: THE INTERNAL DEVICES ARE ADDRESSABLE ONLY BY THE CPU ON THE INTERNAL BUS. THIS INCLUDES ALL MEMORY MANAGEMENT AND FLOATING POINT REGISTERS. I.E. YOU CANNOT DO A DMA TRANSFER FROM ANY EXTERNAL OPTION TO ANY OF THE INTERNAL DEVICES.

REVISIONS	
CHK	CHANGE NO. REV.

digital DRN. AC... DATE ENG... BOARD LOCATION: ... SHEET OF 1

365,3132 M8189A.DRW 105-MAR-81 08:42 NEXT HIGHER ASSEMBLY: B-DD-M8189-0

SIZE CODE D CS NUMBER M8189-0-K11 REV. A

K11
 DRAWING
 11 OF 11

REV. A
 NUMBER M8189-0-K11
 CODE CS
 SIZE D
 B

"THE MATERIAL HEREIN IS FOR INFORMATION PURPOSES ONLY AND IS SUBJECT TO CHANGE WITHOUT NOTICE. DIGITAL EQUIPMENT CORPORATION ASSUMES NO RESPONSIBILITY FOR ANY ERRORS WHICH MAY APPEAR HEREIN."

DRAWING DIRECTORY

"THIS DRAWING AND SPECIFICATIONS, HEREIN, ARE THE PROPERTY OF DIGITAL EQUIPMENT CORPORATION AND SHALL NOT BE REPRODUCED OR COPIED OR USED IN WHOLE OR IN PART AS THE BASIS FOR THE MANUFACTURE OR SALE OF ITEMS WITHOUT WRITTEN PERMISSION. COPYRIGHT © 1981 DIGITAL EQUIPMENT CORPORATION.

NOTE:

FOR FIELD MAINTENANCE PRINT SET REFER TO B-TC-KEF11-BB-1

UNIT VARIATIONS	
VAR	TITLE
KEF11-BB	HYBRID C.I.S. MICROCODE CHIP.

REVISIONS	REV.	A		USED ON OPTION/MODEL	DRN.	DATE								
	CHANGE NO.	INITIAL		KEF11-BB	A. AMICO	21JAN81	DRAWING DIRECTORY KEF11-BB							
	CHK				CHK'D.	DATE								
					ROBICHAUD	08APR81								
				PROJ. ENG. <i>RAA.</i>	DATE	8-7-81	SIZE	CODE	NUMBER	REV				
				K. AMUNDSEN	DATE	9-JUN-81	B	DD	KEF11-BB	A				
				PROD. <i>Greg. Mylch</i>	DATE	9-JUN-81	DIST.							
				SHEET 1 OF 2										

FIND NO.	DRAWING NO.	DESCRIPTION	TYPE	FIND NO.	DRAWING NO.	DESCRIPTION	TYPE
1	MP01223-00	KEF11-BB PRINT SET ORDER NO. (MP)	-				
	B-TC-KEF11-BB-1	FIELD MAINTENANCE PRINT SET (TC)	-				
	K-PL-KEF11-BB-DBP	COMMERCIAL INSTRUCTION SET (KEF11-BB)	E/M				
	B-PL-KEF11-BB	SHIPPING LIST KEF11-BB	E/M				
2	B-DD-5700006-0	CIS MODULE	E/M				
3	A-PS-9905812-0-0	BOX, PAPER SET-UP WITH FOAM	M				

TYPE: E ELECTRICAL
M MECHANICAL
E/M ELECTRO/MECHANICAL



TITLE

DRAWING DIRECTORY KEF11-BB

SHEET 2 OF 2

SIZE B CODE DD

NUMBER KEF11-BB

REV A

