

REVISIONS				
LTR	ZONE	DESCRIPTION	DATE	APPROVAL

R RECEPTICAL  
P PLUG

UNLESS SPECIFIED:  
RESISTANCE IN OHMS  
CAPACITANCE IN UF  
DIMENSIONS IN INCHES  
TOLERANCE ±

NOTICE OF CONFIDENTIAL INFORMATION  
INFORMATION CONTAINED HEREIN IS CONFIDENTIAL AND IS THE PROPERTY OF DIGITAL ENGINEERING. WHERE FURNISHED TO A CUSTOMER IT SHALL BE USED SOLELY FOR THE PURPOSES OF INSPECTION, INSTALLATION OR MAINTENANCE.  
THE INFORMATION SHALL NOT BE USED OR DISCLOSED BY THE RECIPIENT FOR ANY OTHER PURPOSE WHATSOEVER.

**DIGITAL ENGINEERING**  
INCORPORATED  
SACRAMENTO, CA 95815

APPROVALS	DATE	INTERCONNECT DIAGRAM	
DRAWN HR.	1 FEB 80		
CHECKED			
APPROVED <i>T.A.C.</i>	2/1/80	SIZE <b>C</b>	DOCUMENT NUMBER RG512-00029
ENGINEERED		SCALE: NTS	REV. 1.4 SHEET 1 OF 9

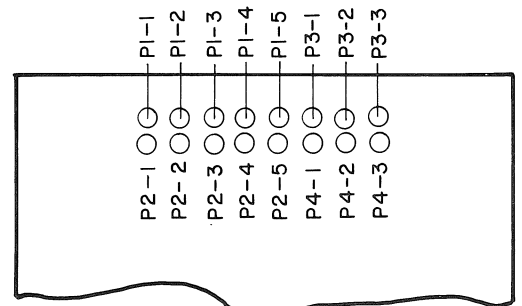
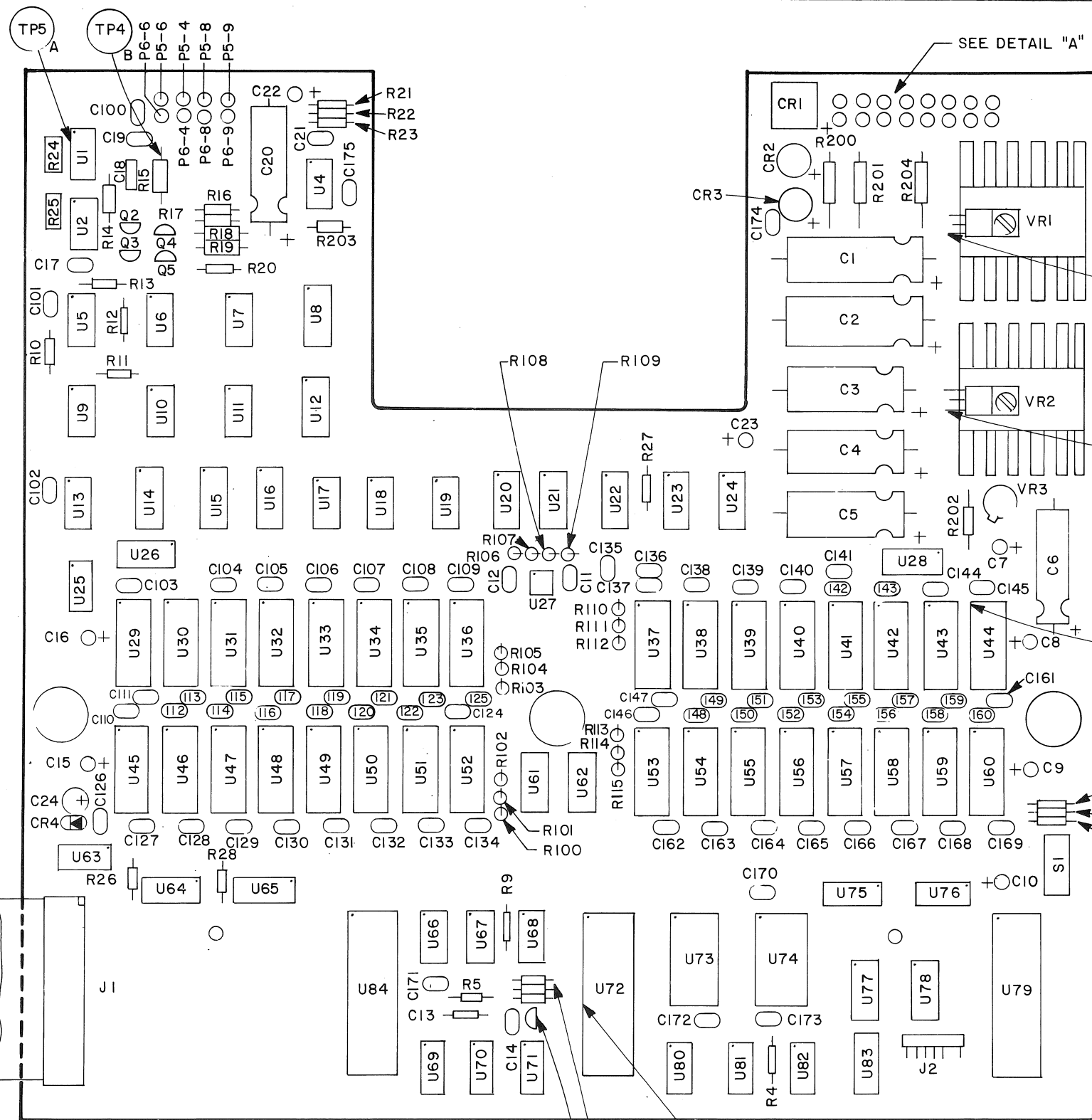
4

3

2

1

REVISIONS				
LTR	ZONE	DESCRIPTION	DATE	APPROVAL



DETAIL "A"

**GENERAL NOTES:**  
 A. TP5 — U1<sup>#8</sup> DOT. CLOCK OSC.  
 B. TP4 — R15 SPECIAL +5

R6  
R7  
R8  
Q1  
TP6 U72<sup>#6</sup>  
Z80 CLOCK

UNLESS SPECIFIED:  
 RESISTANCE IN OHMS  
 CAPACITANCE IN UF  
 DIMENSIONS IN INCHES  
 TOLERANCE =

**NOTICE OF CONFIDENTIAL INFORMATION**  
 INFORMATION CONTAINED HEREIN IS CONFIDENTIAL AND IS THE PROPERTY OF DIGITAL ENGINEERING. WHERE FURNISHED TO A CUSTOMER IT SHALL BE USED SOLELY FOR THE PURPOSES OF INSPECTION, INSTALLATION OR MAINTENANCE. THE INFORMATION SHALL NOT BE USED OR DISCLOSED BY THE RECIPIENT FOR ANY OTHER PURPOSE WHATSOEVER.

**DIGITAL ENGINEERING**  
 INCORPORATED  
 SACRAMENTO, CA 95815

APPROVALS		DATE	CIRCUIT LOCATION DIAGRAM RG512 I.4 C	
DRAWN	HR	4 FEB 80		
CHECKED	T.J.C.	2/7/80	SCALE: 1:1	
APPROVED	T.J.C.	2/7/80		
ENGINEERED			DOCUMENT NUMBER RG512-00024	REV. I.4 C
			SHEET 2 OF 9	

D

D

C

C

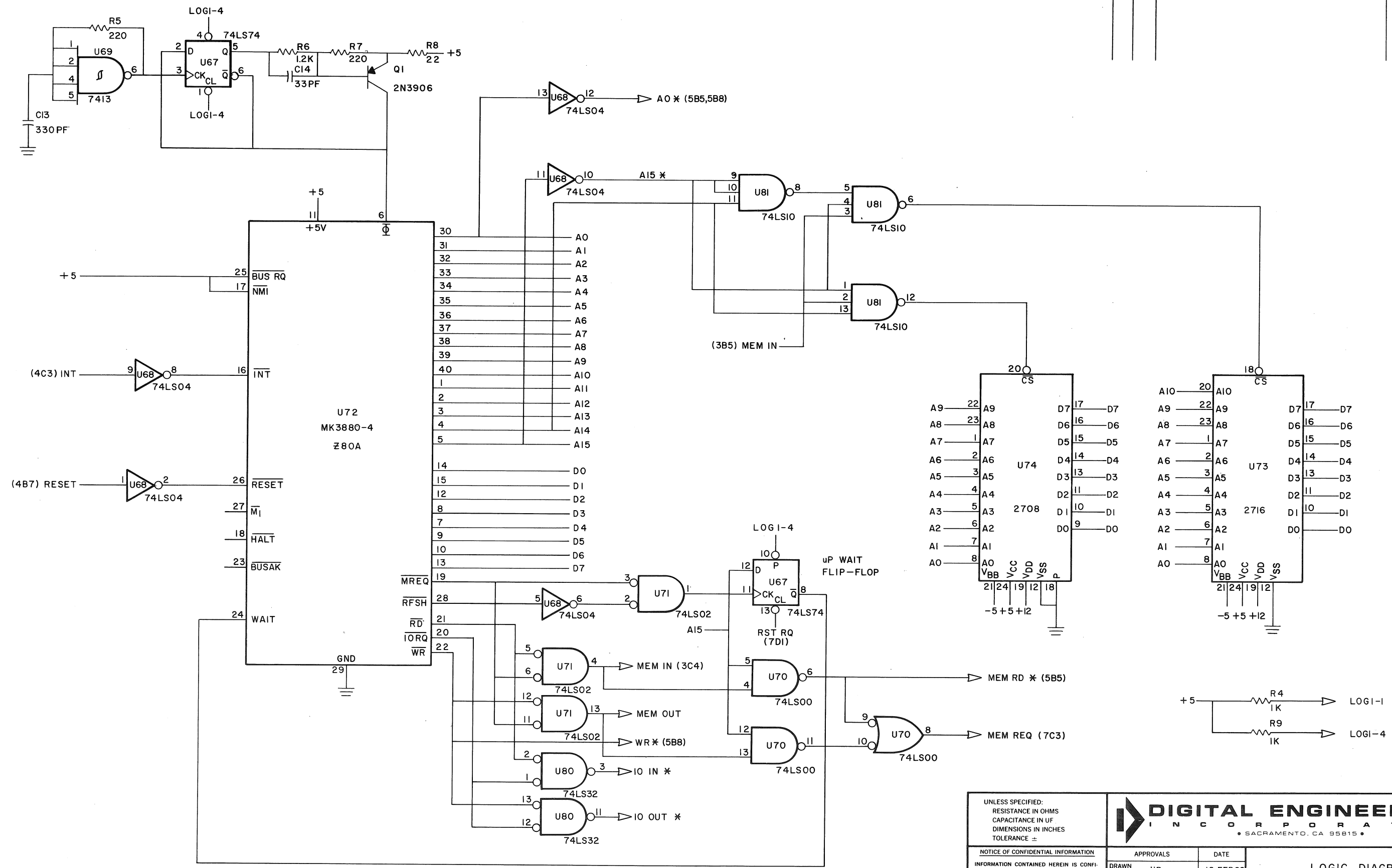
B

B

A

A

REVISIONS				
LTR	ZONE	DESCRIPTION	DATE	APPROVAL



UNLESS SPECIFIED:  
 RESISTANCE IN OHMS  
 CAPACITANCE IN UF  
 DIMENSIONS IN INCHES  
 TOLERANCE ±

NOTICE OF CONFIDENTIAL INFORMATION  
 INFORMATION CONTAINED HEREIN IS CONFIDENTIAL AND IS THE PROPERTY OF DIGITAL ENGINEERING. WHERE FURNISHED TO A CUSTOMER IT SHALL BE USED SOLELY FOR THE PURPOSES OF INSPECTION, INSTALLATION OR MAINTENANCE. THE INFORMATION SHALL NOT BE USED OR DISCLOSED BY THE RECIPIENT FOR ANY OTHER PURPOSE WHATSOEVER.

**DIGITAL ENGINEERING**  
 INCORPORATED  
 SACRAMENTO, CA 95815

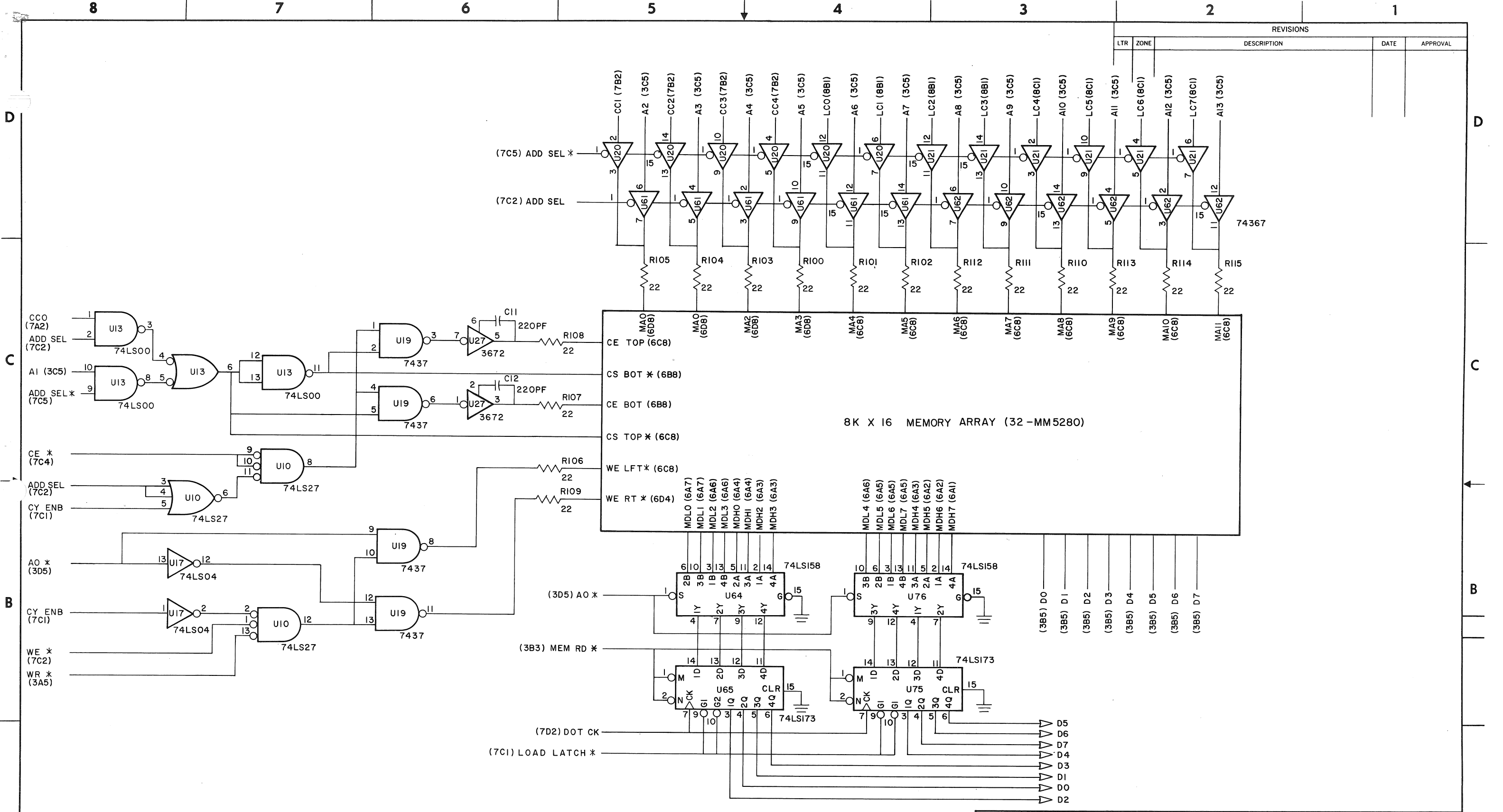
APPROVALS	DATE	LOGIC DIAGRAM
DRAWN HR	12 FEB80	
CHECKED		
APPROVED T.J.C.	3/13/80	
ENGINEERED		SIZE D
DOCUMENT NUMBER R6512-00031		REV. 1.4C
		SHEET 3 OF 9



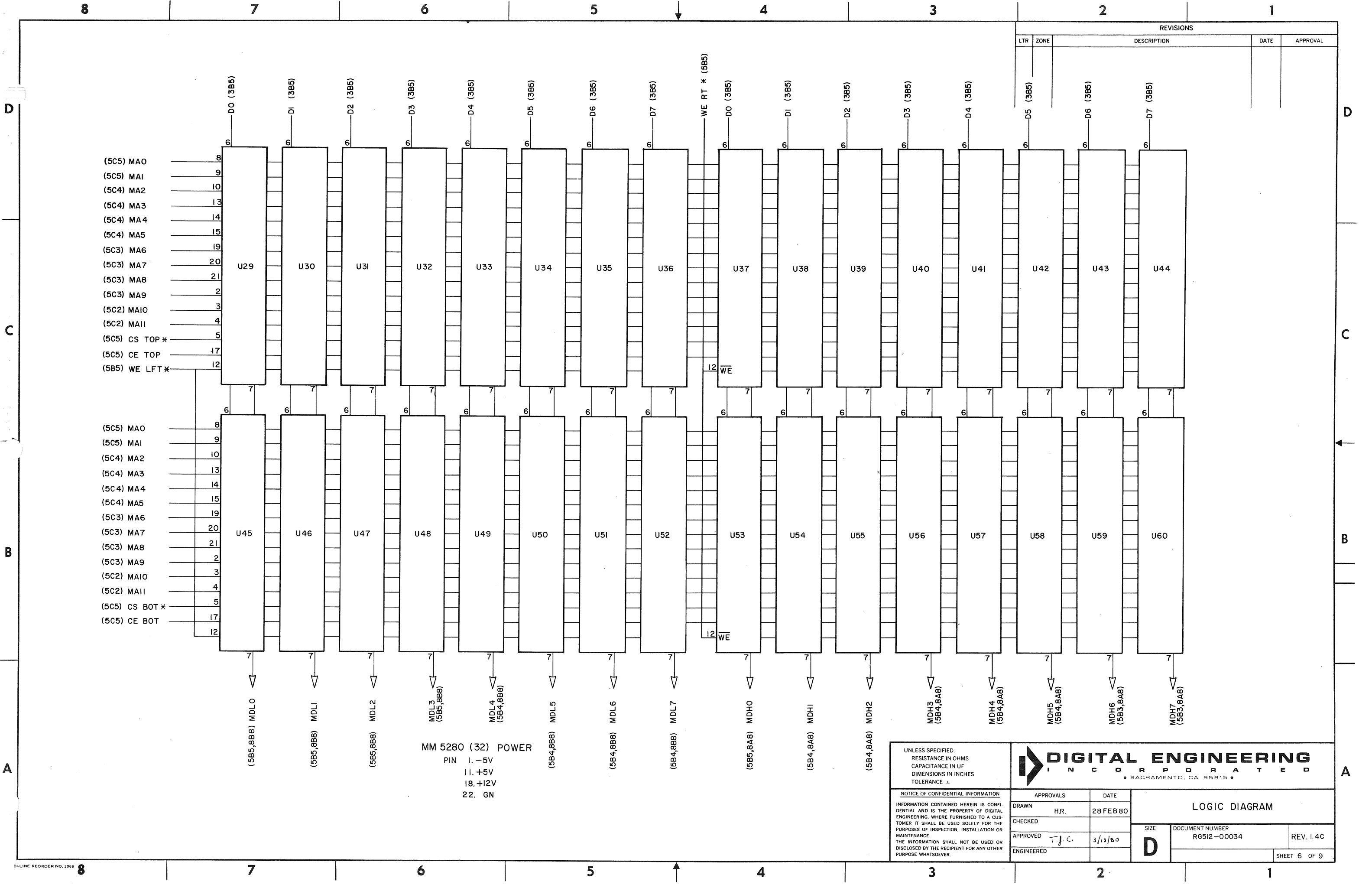
REVISIONS				
LTR	ZONE	DESCRIPTION	DATE	APPROVAL

D  
C  
B  
A

D  
C  
B  
A



UNLESS SPECIFIED: RESISTANCE IN OHMS CAPACITANCE IN UF DIMENSIONS IN INCHES TOLERANCE ±	<b>DIGITAL ENGINEERING</b> INCORPORATED SACRAMENTO, CA 95815		
	NOTICE OF CONFIDENTIAL INFORMATION INFORMATION CONTAINED HEREIN IS CONFIDENTIAL AND IS THE PROPERTY OF DIGITAL ENGINEERING. WHERE FURNISHED TO A CUSTOMER IT SHALL BE USED SOLELY FOR THE PURPOSES OF INSPECTION, INSTALLATION OR MAINTENANCE. THE INFORMATION SHALL NOT BE USED OR DISCLOSED BY THE RECIPIENT FOR ANY OTHER PURPOSE WHATSOEVER.	APPROVALS DRAWN HR CHECKED APPROVED T.J.C. ENGINEERED	DATE 14 FEB 80 3/13/80
	LOGIC DIAGRAM		
	SIZE <b>D</b>	DOCUMENT NUMBER R6512-00033	REV. 1.4C SHEET 5 OF 9



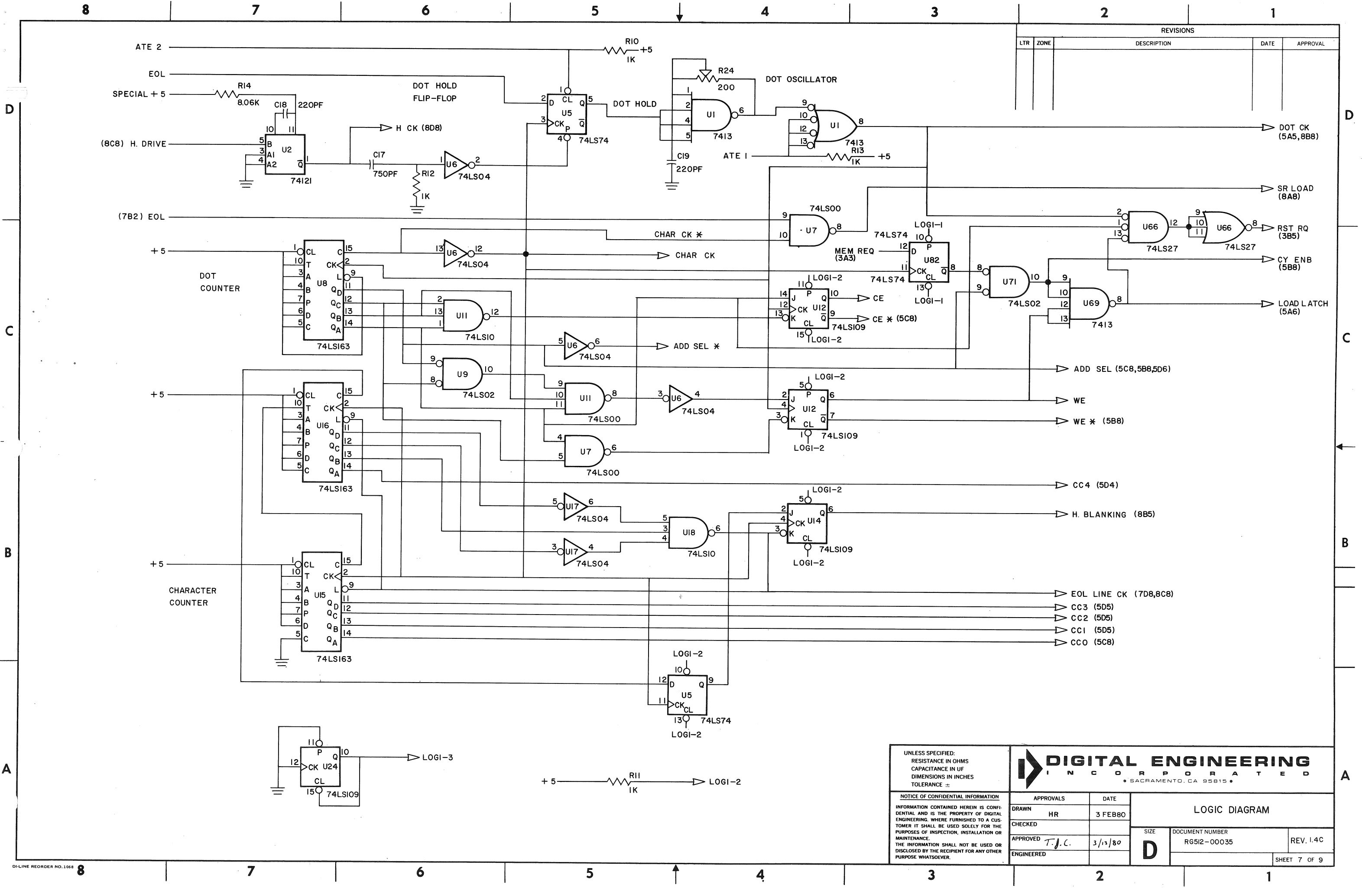
REVISIONS				
LTR	ZONE	DESCRIPTION	DATE	APPROVAL

- (5C5) MA0
- (5C5) MA1
- (5C4) MA2
- (5C4) MA3
- (5C4) MA4
- (5C4) MA5
- (5C3) MA6
- (5C3) MA7
- (5C3) MA8
- (5C3) MA9
- (5C2) MA10
- (5C2) MA11
- (5C5) CS TOP \*
- (5C5) CE TOP
- (5B5) WE LFT \*

- (5C5) MA0
- (5C5) MA1
- (5C4) MA2
- (5C4) MA3
- (5C4) MA4
- (5C4) MA5
- (5C3) MA6
- (5C3) MA7
- (5C3) MA8
- (5C3) MA9
- (5C2) MA10
- (5C2) MA11
- (5C5) CS BOT \*
- (5C5) CE BOT

MM 5280 (32) POWER  
 PIN 1. -5V  
 11. +5V  
 18. +12V  
 22. GN

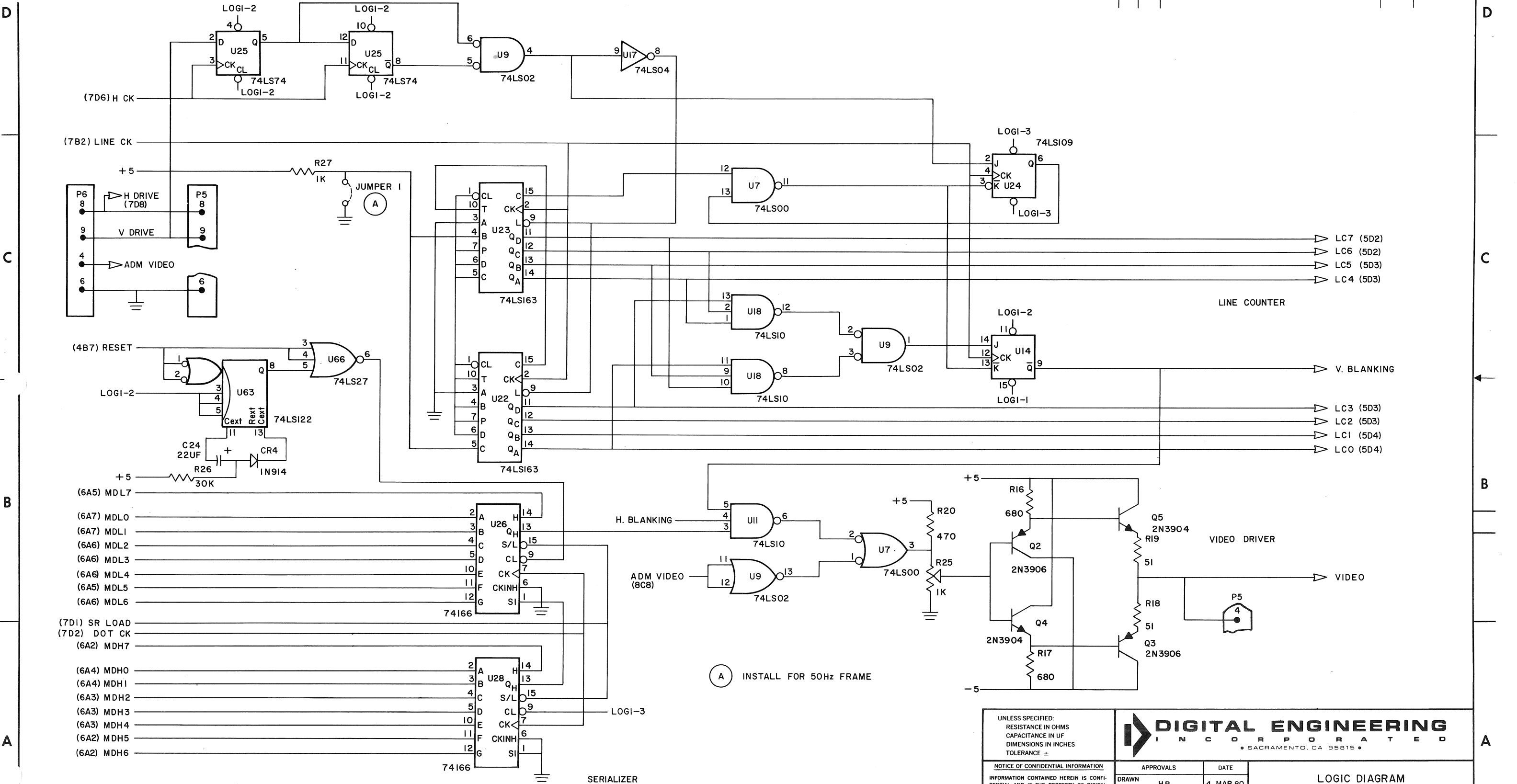
UNLESS SPECIFIED: RESISTANCE IN OHMS CAPACITANCE IN UF DIMENSIONS IN INCHES TOLERANCE ±		<b>DIGITAL ENGINEERING</b> INCORPORATED SACRAMENTO, CA 95815	
NOTICE OF CONFIDENTIAL INFORMATION INFORMATION CONTAINED HEREIN IS CONFIDENTIAL AND IS THE PROPERTY OF DIGITAL ENGINEERING. WHERE FURNISHED TO A CUSTOMER IT SHALL BE USED SOLELY FOR THE PURPOSES OF INSPECTION, INSTALLATION OR MAINTENANCE. THE INFORMATION SHALL NOT BE USED OR DISCLOSED BY THE RECIPIENT FOR ANY OTHER PURPOSE WHATSOEVER.		APPROVALS	DATE
DRAWN		H.R.	28 FEB 80
CHECKED		LOGIC DIAGRAM	
APPROVED		T.J.C.	3/13/80
ENGINEERED		SIZE	DOCUMENT NUMBER
		D	RG512-00034
		REV. I.4C	
		SHEET 6 OF 9	



REVISIONS				
LTR	ZONE	DESCRIPTION	DATE	APPROVAL

UNLESS SPECIFIED: RESISTANCE IN OHMS CAPACITANCE IN UF DIMENSIONS IN INCHES TOLERANCE ±		 SACRAMENTO, CA 95815	
NOTICE OF CONFIDENTIAL INFORMATION INFORMATION CONTAINED HEREIN IS CONFIDENTIAL AND IS THE PROPERTY OF DIGITAL ENGINEERING. WHERE FURNISHED TO A CUSTOMER IT SHALL BE USED SOLELY FOR THE PURPOSES OF INSPECTION, INSTALLATION OR MAINTENANCE. THE INFORMATION SHALL NOT BE USED OR DISCLOSED BY THE RECIPIENT FOR ANY OTHER PURPOSE WHATSOEVER.			
APPROVALS	DATE	LOGIC DIAGRAM	
DRAWN HR	3 FEB80	SIZE	DOCUMENT NUMBER
CHECKED		D	R6512-00035
APPROVED T.J.C.	3/13/80		REV. 1.4C
ENGINEERED			SHEET 7 OF 9

REVISIONS				
LTR	ZONE	DESCRIPTION	DATE	APPROVAL



(A) INSTALL FOR 50Hz FRAME

UNLESS SPECIFIED:  
 RESISTANCE IN OHMS  
 CAPACITANCE IN UF  
 DIMENSIONS IN INCHES  
 TOLERANCE ±

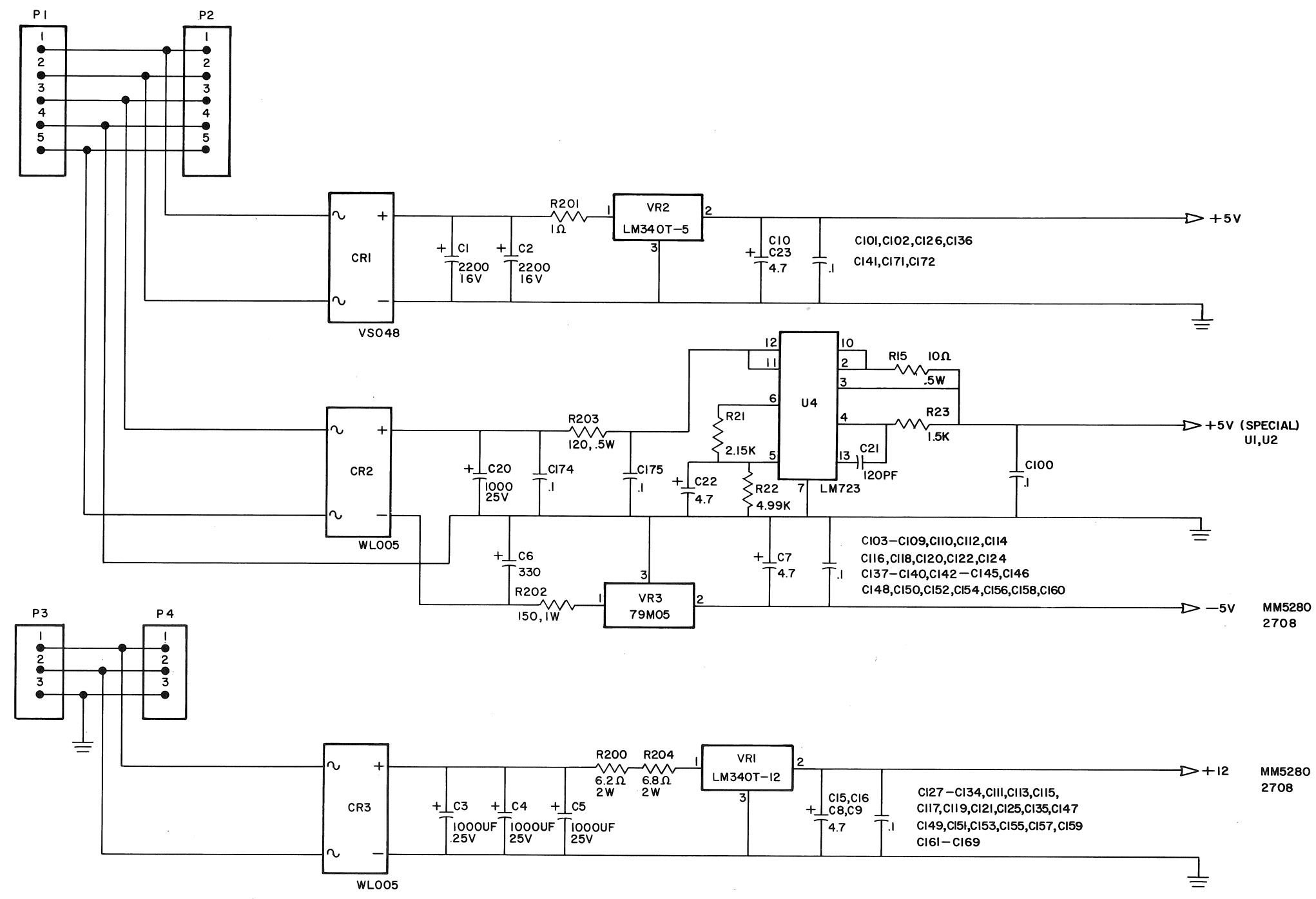
**DIGITAL ENGINEERING**  
 INCORPORATED  
 SACRAMENTO, CA 95815

NOTICE OF CONFIDENTIAL INFORMATION		APPROVALS		DATE		LOGIC DIAGRAM	
INFORMATION CONTAINED HEREIN IS CONFIDENTIAL AND IS THE PROPERTY OF DIGITAL ENGINEERING. WHERE FURNISHED TO A CUSTOMER IT SHALL BE USED SOLELY FOR THE PURPOSES OF INSPECTION, INSTALLATION OR MAINTENANCE. THE INFORMATION SHALL NOT BE USED OR DISCLOSED BY THE RECIPIENT FOR ANY OTHER PURPOSE WHATSOEVER.		DRAWN	HR	4	MAR.80	SIZE: <b>D</b> DOCUMENT NUMBER: RG512-00036 REV. I.4C	
		CHECKED					
		APPROVED	T. J. C.	2/12/80			
		ENGINEERED					

SHEET 8 OF 9



REVISIONS				
LTR	ZONE	DESCRIPTION	DATE	APPROVAL



UNLESS SPECIFIED:  
 RESISTANCE IN OHMS  
 CAPACITANCE IN UF  
 DIMENSIONS IN INCHES  
 TOLERANCE ±

NOTICE OF CONFIDENTIAL INFORMATION  
 INFORMATION CONTAINED HEREIN IS CONFIDENTIAL AND IS THE PROPERTY OF DIGITAL ENGINEERING. WHERE FURNISHED TO A CUSTOMER IT SHALL BE USED SOLELY FOR THE PURPOSES OF INSPECTION, INSTALLATION OR MAINTENANCE. THE INFORMATION SHALL NOT BE USED OR DISCLOSED BY THE RECIPIENT FOR ANY OTHER PURPOSE WHATSOEVER.

**DIGITAL ENGINEERING**  
 INCORPORATED  
 SACRAMENTO, CA 95815

APPROVALS	DATE	LOGIC DIAGRAM
DRAWN H.R.	10 MAR. 80	
CHECKED		
APPROVED T.J.C.	3/13/80	
ENGINEERED		SIZE D
		DOCUMENT NUMBER R6512-00037
		REV. I.4C
		SHEET 9 OF 9