

REVISIONS				
LTR	ZONE	DESCRIPTION	DATE	APPROVAL

R RECEPTICAL
P PLUG

*Later Version.
1K & 2K PROMS.*

UNLESS SPECIFIED:
RESISTANCE IN OHMS
CAPACITANCE IN UF
DIMENSIONS IN INCHES
TOLERANCE ±

NOTICE OF CONFIDENTIAL INFORMATION
INFORMATION CONTAINED HEREIN IS CONFIDENTIAL AND IS THE PROPERTY OF DIGITAL ENGINEERING. WHERE FURNISHED TO A CUSTOMER IT SHALL BE USED SOLELY FOR THE PURPOSES OF INSPECTION, INSTALLATION OR MAINTENANCE.
THE INFORMATION SHALL NOT BE USED OR DISCLOSED BY THE RECIPIENT FOR ANY OTHER PURPOSE WHATSOEVER.

DIGITAL ENGINEERING
INCORPORATED
SACRAMENTO, CA 95815

APPROVALS	DATE	INTERCONNECT DIAGRAM	
DRAWN H.R.	1 FEB 80		
CHECKED		SIZE	DOCUMENT NUMBER
APPROVED T.J.C.	2/1/80	C	RG512-00029
ENGINEERED		SCALE: NTS	REV. 1.4
			SHEET 1 OF 9

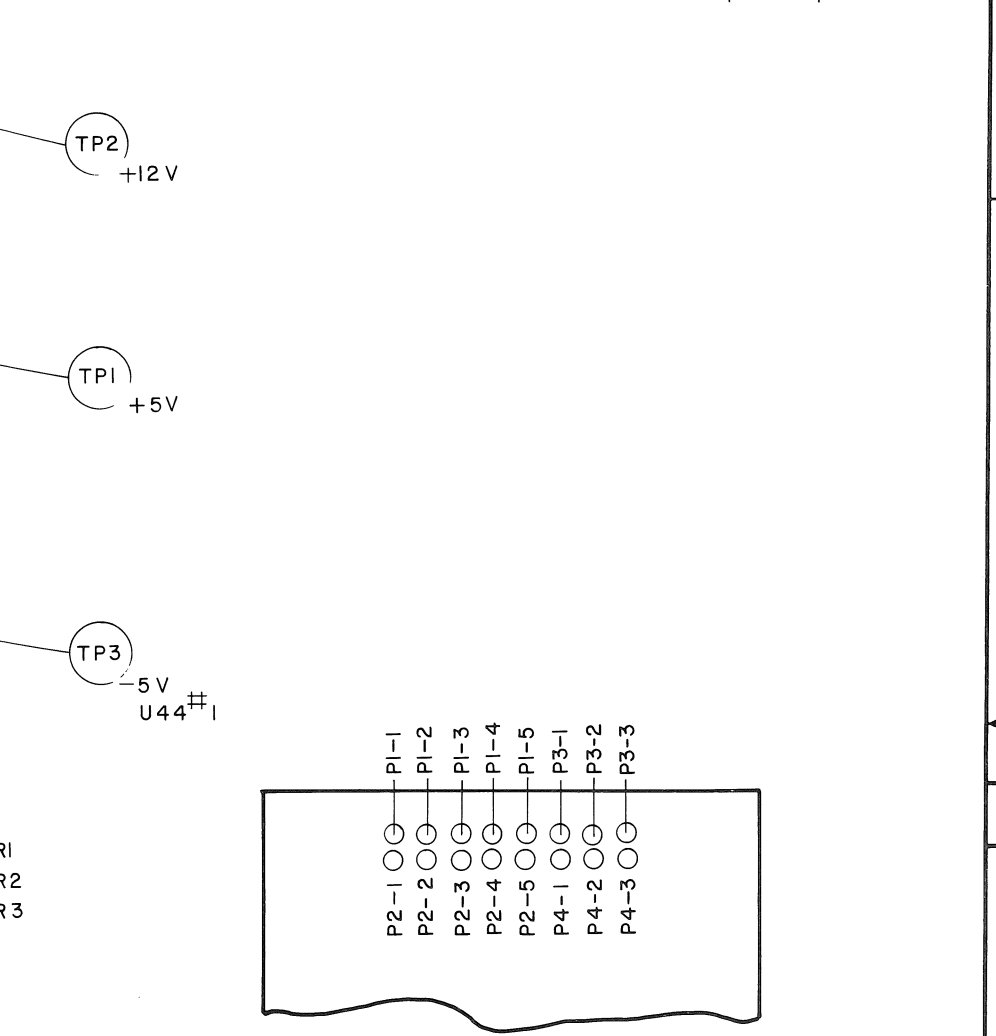
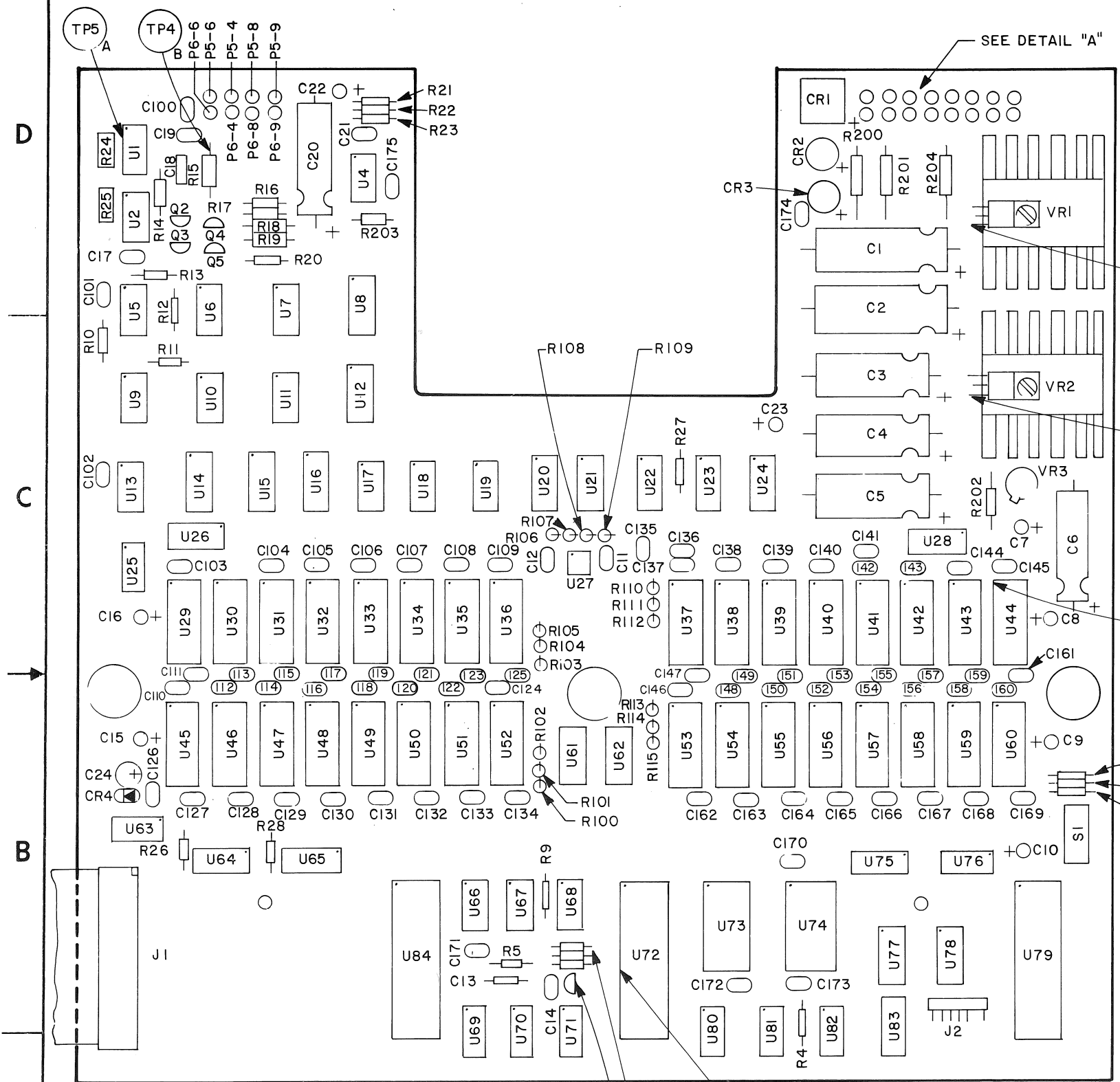
4

3

2

1

REVISIONS				
LTR	ZONE	DESCRIPTION	DATE	APPROVAL



GENERAL NOTES:
 A. TP5 — U1#8 DOT. CLOCK OSC.
 B. TP4 — R15 SPECIAL +5

TP6 U72#6
 Z80 CLOCK

UNLESS SPECIFIED:
 RESISTANCE IN OHMS
 CAPACITANCE IN UF
 DIMENSIONS IN INCHES
 TOLERANCE =

DIGITAL ENGINEERING
 INCORPORATED
 SACRAMENTO, CA 95815

APPROVALS		DATE
DRAWN	HR	4 FEB 80
CHECKED	T.J.C.	2/7/80
APPROVED	T.J.C.	2/7/80
ENGINEERED		

CIRCUIT LOCATION DIAGRAM		
RG512 I.4 C		
SIZE	DOCUMENT NUMBER	REV. I.4 C
C	RG512 - 00024	
SCALE: 1:1	SHEET 2 OF 9	

NOTICE OF CONFIDENTIAL INFORMATION
 INFORMATION CONTAINED HEREIN IS CONFIDENTIAL AND IS THE PROPERTY OF DIGITAL ENGINEERING. WHERE FURNISHED TO A CUSTOMER IT SHALL BE USED SOLELY FOR THE PURPOSES OF INSPECTION, INSTALLATION OR MAINTENANCE. THE INFORMATION SHALL NOT BE USED OR DISCLOSED BY THE RECIPIENT FOR ANY OTHER PURPOSE WHATSOEVER.

A

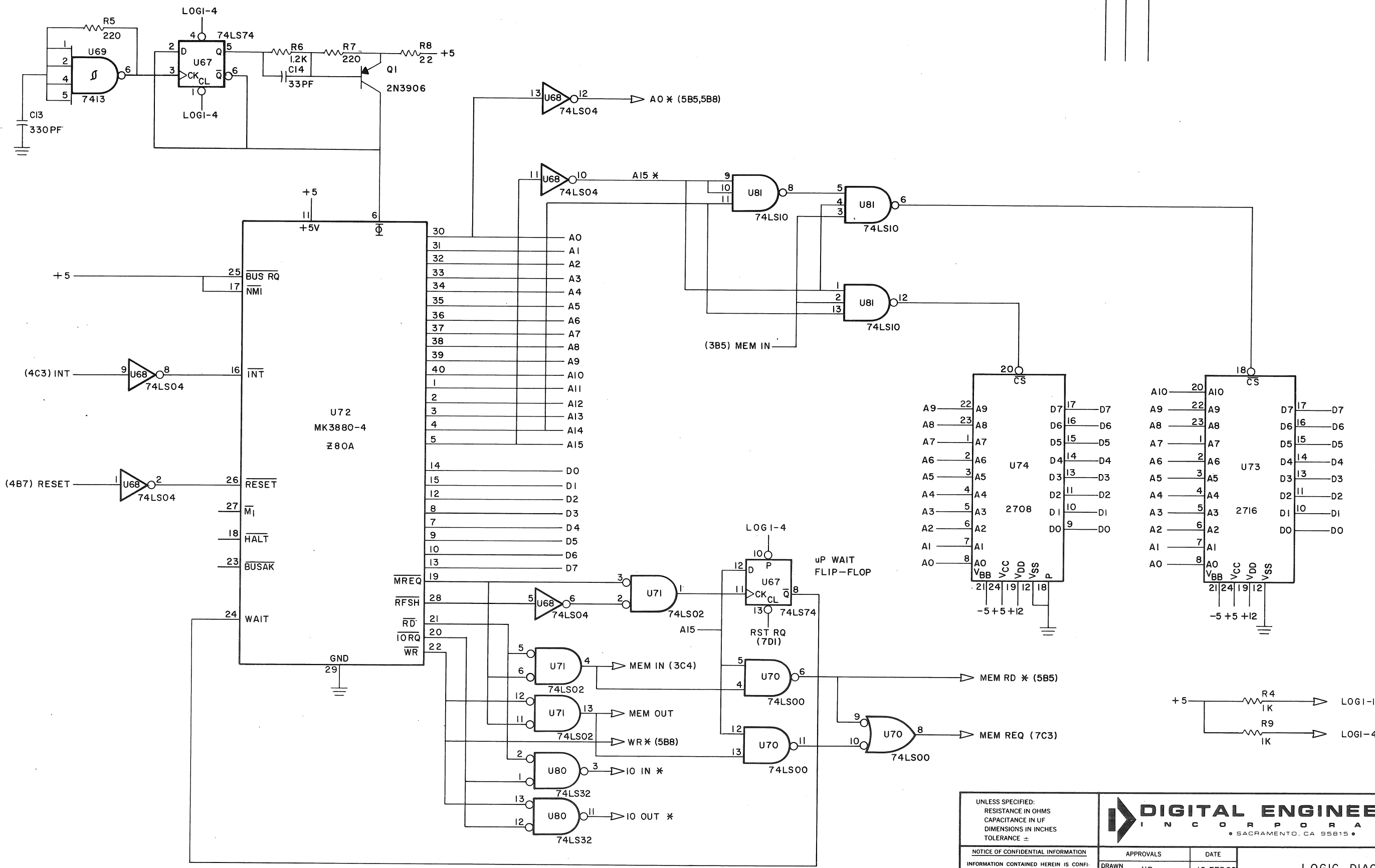
A

3

2

1

REVISIONS				
LTR	ZONE	DESCRIPTION	DATE	APPROVAL



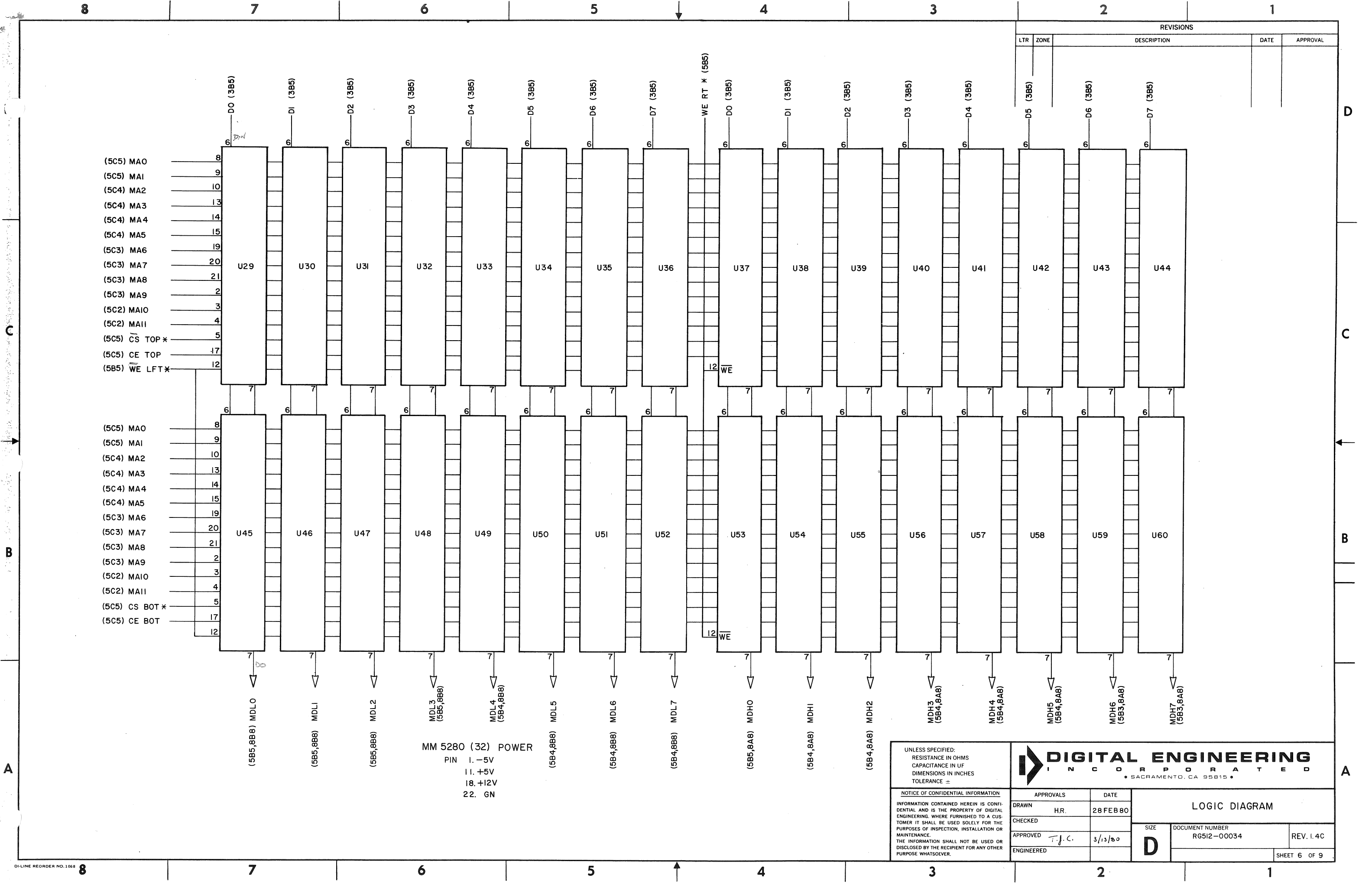
UNLESS SPECIFIED:
 RESISTANCE IN OHMS
 CAPACITANCE IN UF
 DIMENSIONS IN INCHES
 TOLERANCE ±

NOTICE OF CONFIDENTIAL INFORMATION
 INFORMATION CONTAINED HEREIN IS CONFIDENTIAL AND IS THE PROPERTY OF DIGITAL ENGINEERING. WHERE FURNISHED TO A CUSTOMER IT SHALL BE USED SOLELY FOR THE PURPOSES OF INSPECTION, INSTALLATION OR MAINTENANCE. THE INFORMATION SHALL NOT BE USED OR DISCLOSED BY THE RECIPIENT FOR ANY OTHER PURPOSE WHATSOEVER.

DIGITAL ENGINEERING
 INCORPORATED
 SACRAMENTO, CA 95815

APPROVALS	DATE	LOGIC DIAGRAM
DRAWN HR	12 FEB80	
CHECKED		
APPROVED T.J.C.	3/13/80	
ENGINEERED		SIZE D
		DOCUMENT NUMBER R6512-00031
		REV. 1.4C

SHEET 3 OF 9



MM 5280 (32) POWER
 PIN 1. -5V
 11. +5V
 18. +12V
 22. GN

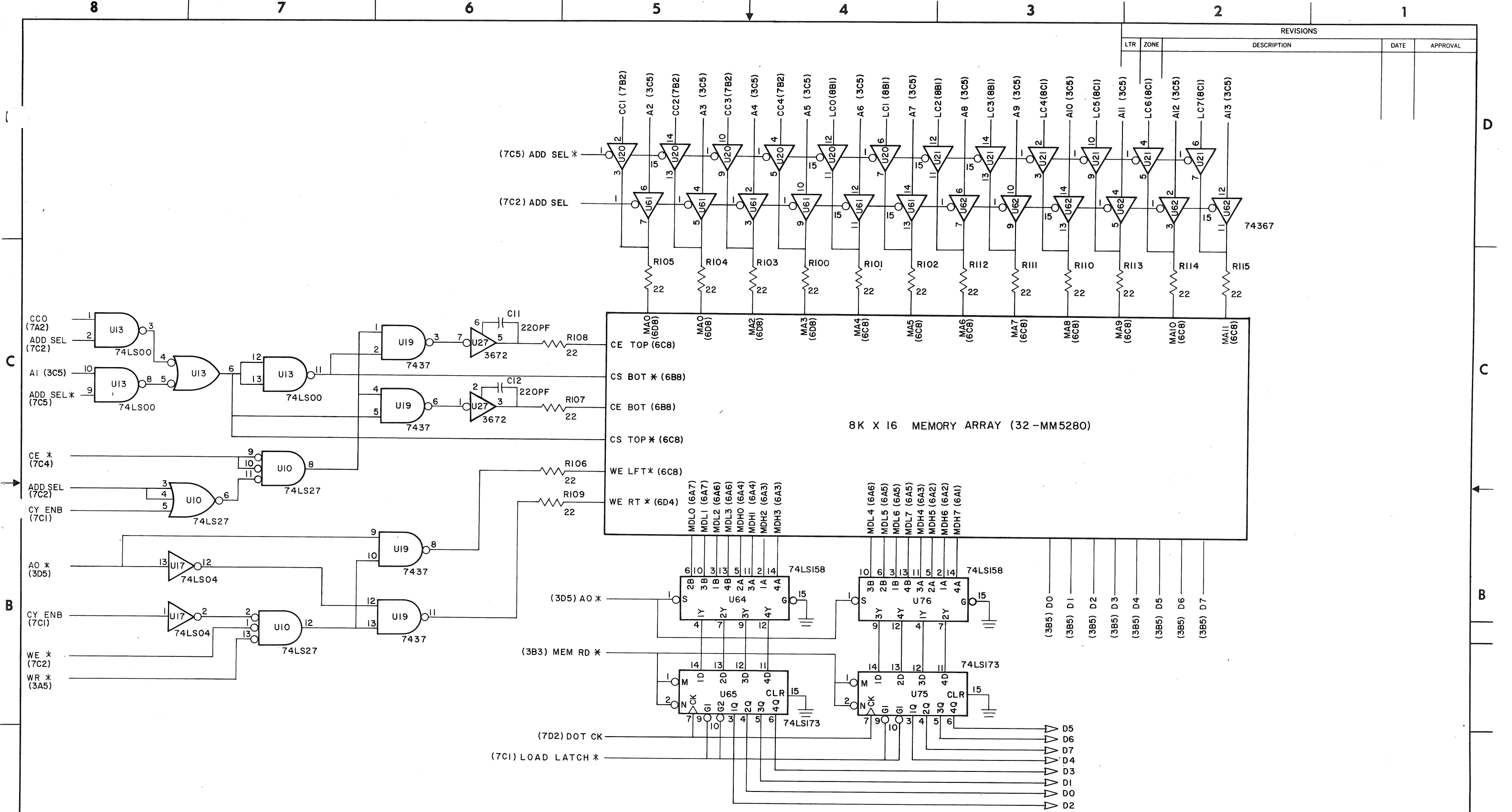
UNLESS SPECIFIED:
 RESISTANCE IN OHMS
 CAPACITANCE IN UF
 DIMENSIONS IN INCHES
 TOLERANCE ±

NOTICE OF CONFIDENTIAL INFORMATION
 INFORMATION CONTAINED HEREIN IS CONFIDENTIAL AND IS THE PROPERTY OF DIGITAL ENGINEERING. WHERE FURNISHED TO A CUSTOMER IT SHALL BE USED SOLELY FOR THE PURPOSES OF INSPECTION, INSTALLATION OR MAINTENANCE. THE INFORMATION SHALL NOT BE USED OR DISCLOSED BY THE RECIPIENT FOR ANY OTHER PURPOSE WHATSOEVER.



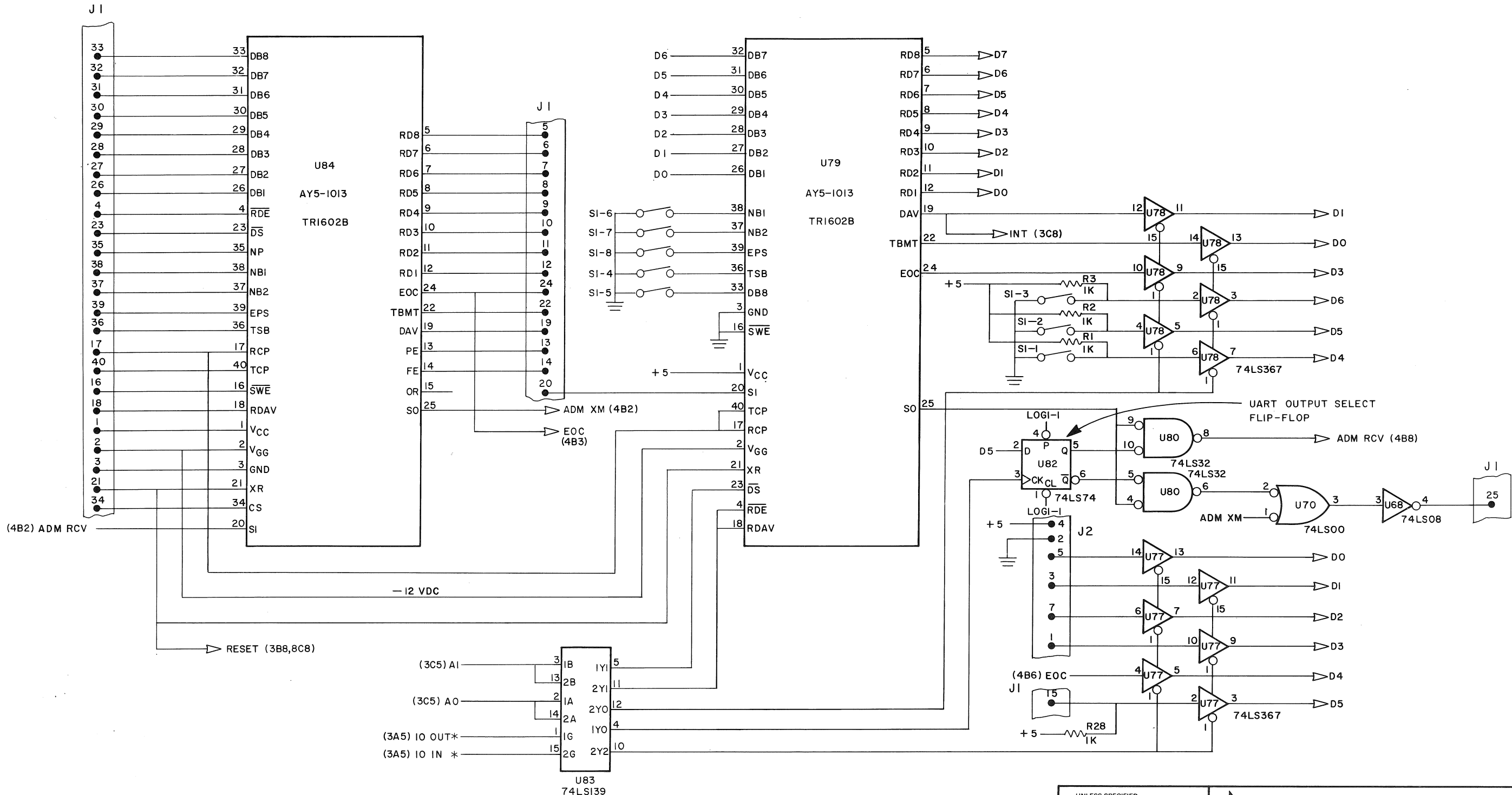
APPROVALS		DATE	LOGIC DIAGRAM	
DRAWN	H.R.	28 FEB 80	SIZE	DOCUMENT NUMBER
CHECKED			D	RG512-00034
APPROVED	T.J.C.	3/13/80		REV. I.4C
ENGINEERED				SHEET 6 OF 9

REVISIONS				
LTR	ZONE	DESCRIPTION	DATE	APPROVAL



UNLESS SPECIFIED: RESISTANCE IN OHMS CAPACITANCE IN UF DIMENSIONS IN INCHES TOLERANCE ±		DIGITAL ENGINEERING INCORPORATED SACRAMENTO, CA 95815	
NOTICE OF CONFIDENTIAL INFORMATION INFORMATION CONTAINED HEREIN IS CONFIDENTIAL AND IS THE PROPERTY OF DIGITAL ENGINEERING. WHERE FURNISHED TO A CUSTOMER IT SHALL BE USED SOLELY FOR THE PURPOSES OF INSPECTION, INSTALLATION OR MAINTENANCE. THE INFORMATION SHALL NOT BE USED OR DISCLOSED BY THE RECIPIENT FOR ANY OTHER PURPOSE WHATSOEVER.		APPROVALS DRAWN HR CHECKED APPROVED T.J.C. ENGINEERED	DATE 14 FEB 80 3/13/80
LOGIC DIAGRAM		SIZE D	DOCUMENT NUMBER RG512-00033
		REV. 1.4C	

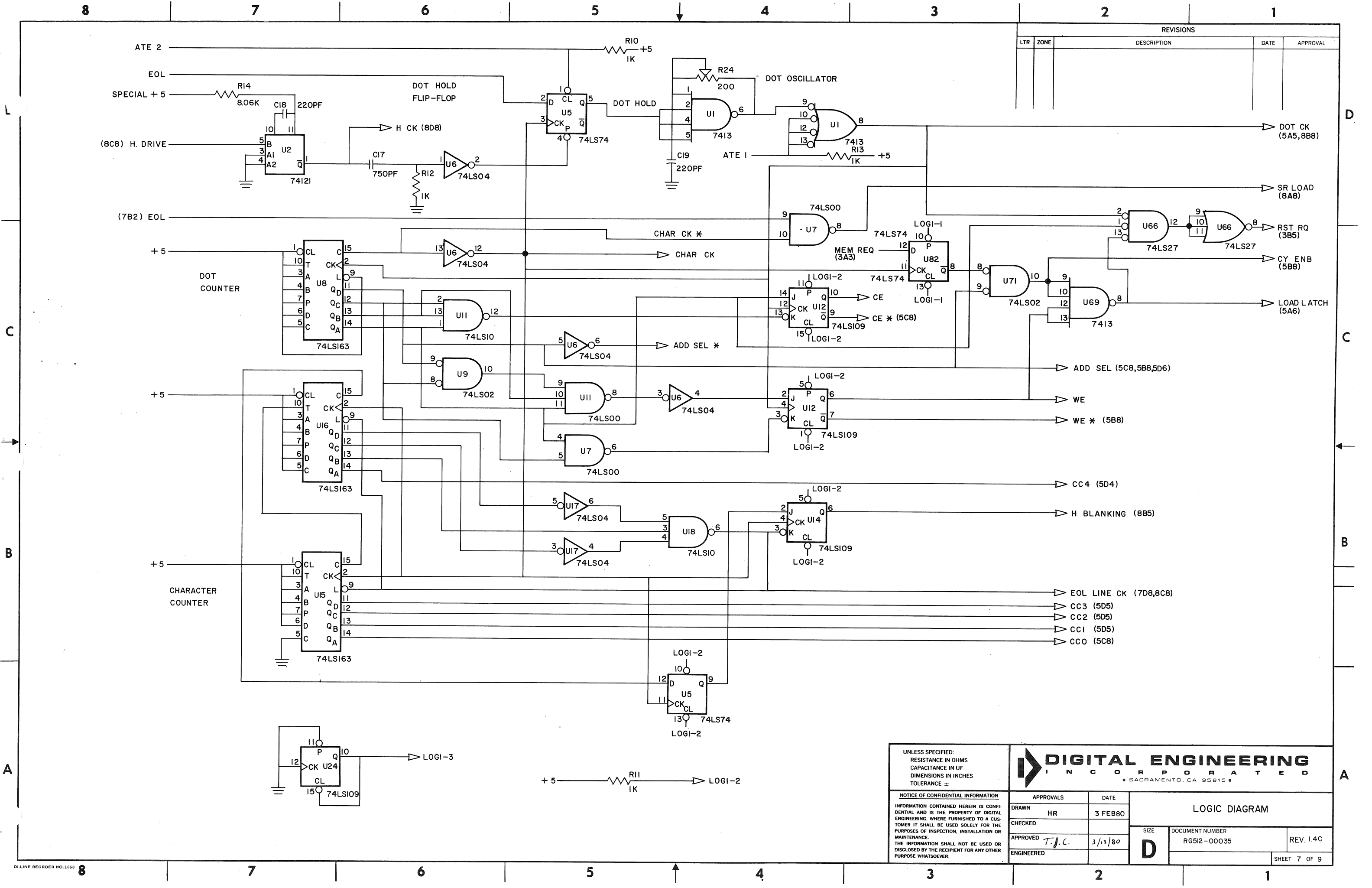
REVISIONS				
LTR	ZONE	DESCRIPTION	DATE	APPROVAL



UNLESS SPECIFIED:
RESISTANCE IN OHMS
CAPACITANCE IN UF
DIMENSIONS IN INCHES
TOLERANCE ±

DIGITAL ENGINEERING
INCORPORATED
SACRAMENTO, CA 95815

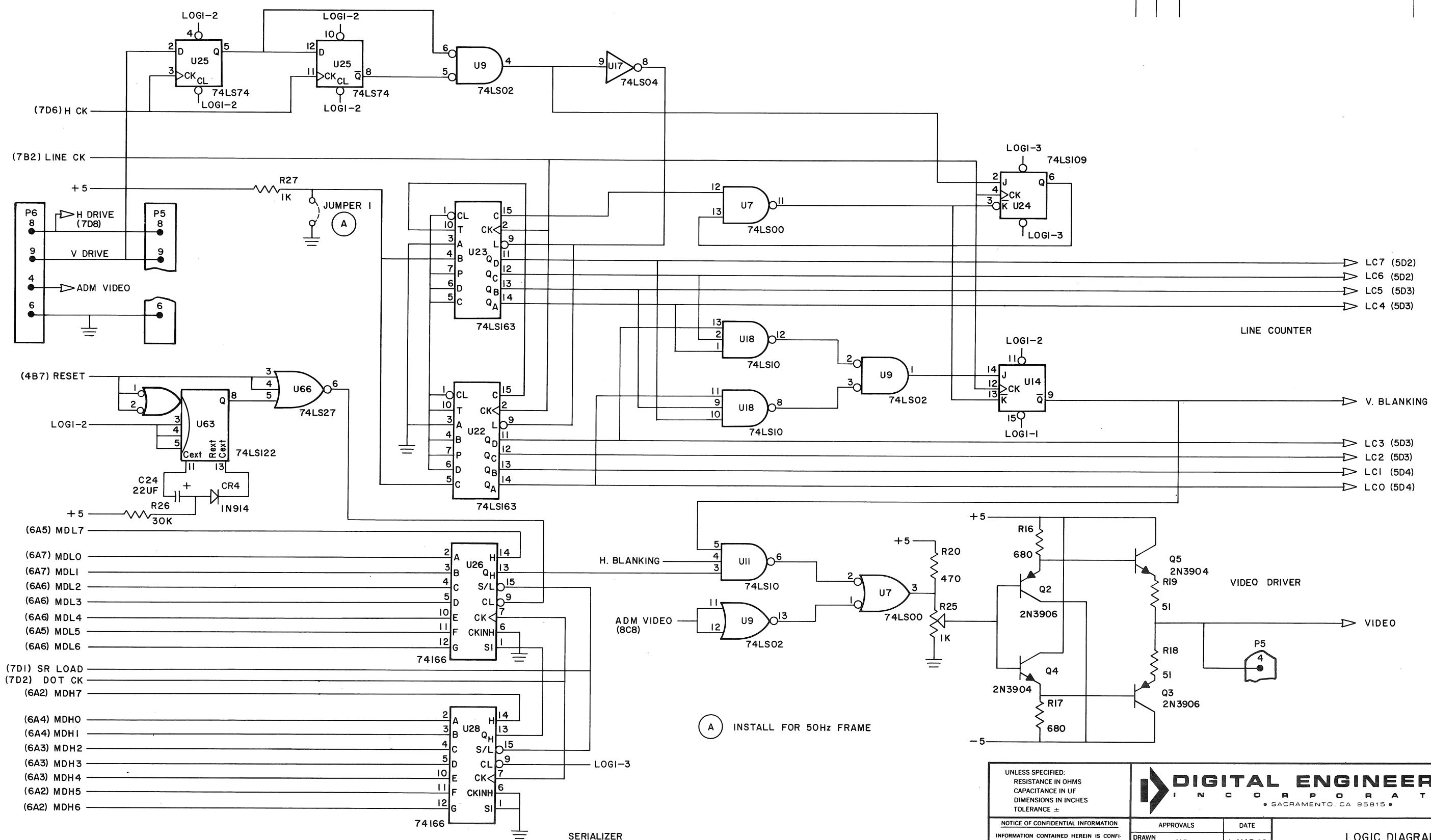
NOTICE OF CONFIDENTIAL INFORMATION		APPROVALS		DATE	LOGIC DIAGRAM		
INFORMATION CONTAINED HEREIN IS CONFIDENTIAL AND IS THE PROPERTY OF DIGITAL ENGINEERING. WHERE FURNISHED TO A CUSTOMER IT SHALL BE USED SOLELY FOR THE PURPOSES OF INSPECTION, INSTALLATION OR MAINTENANCE. THE INFORMATION SHALL NOT BE USED OR DISCLOSED BY THE RECIPIENT FOR ANY OTHER PURPOSE WHATSOEVER.		DRAWN	H.R.	13 FEB 80			
		CHECKED					
		APPROVED	J.C.	3/13/80			
		ENGINEERED			SIZE	DOCUMENT NUMBER	REV. I.4C
					D	R6512-00032	
						SHEET 4 OF 9	



REVISIONS				
LTR	ZONE	DESCRIPTION	DATE	APPROVAL

UNLESS SPECIFIED: RESISTANCE IN OHMS CAPACITANCE IN UF DIMENSIONS IN INCHES TOLERANCE ±		DIGITAL ENGINEERING INCORPORATED SACRAMENTO, CA 95815	
NOTICE OF CONFIDENTIAL INFORMATION INFORMATION CONTAINED HEREIN IS CONFIDENTIAL AND IS THE PROPERTY OF DIGITAL ENGINEERING. WHERE FURNISHED TO A CUSTOMER IT SHALL BE USED SOLELY FOR THE PURPOSES OF INSPECTION, INSTALLATION OR MAINTENANCE. THE INFORMATION SHALL NOT BE USED OR DISCLOSED BY THE RECIPIENT FOR ANY OTHER PURPOSE WHATSOEVER.		APPROVALS	DATE
DRAWN	HR	3 FEB80	LOGIC DIAGRAM
CHECKED			
APPROVED	T.J.C.	3/13/80	
ENGINEERED			
SIZE	DOCUMENT NUMBER	REV. I.4C	SHEET 7 OF 9
D	RG512-00035		

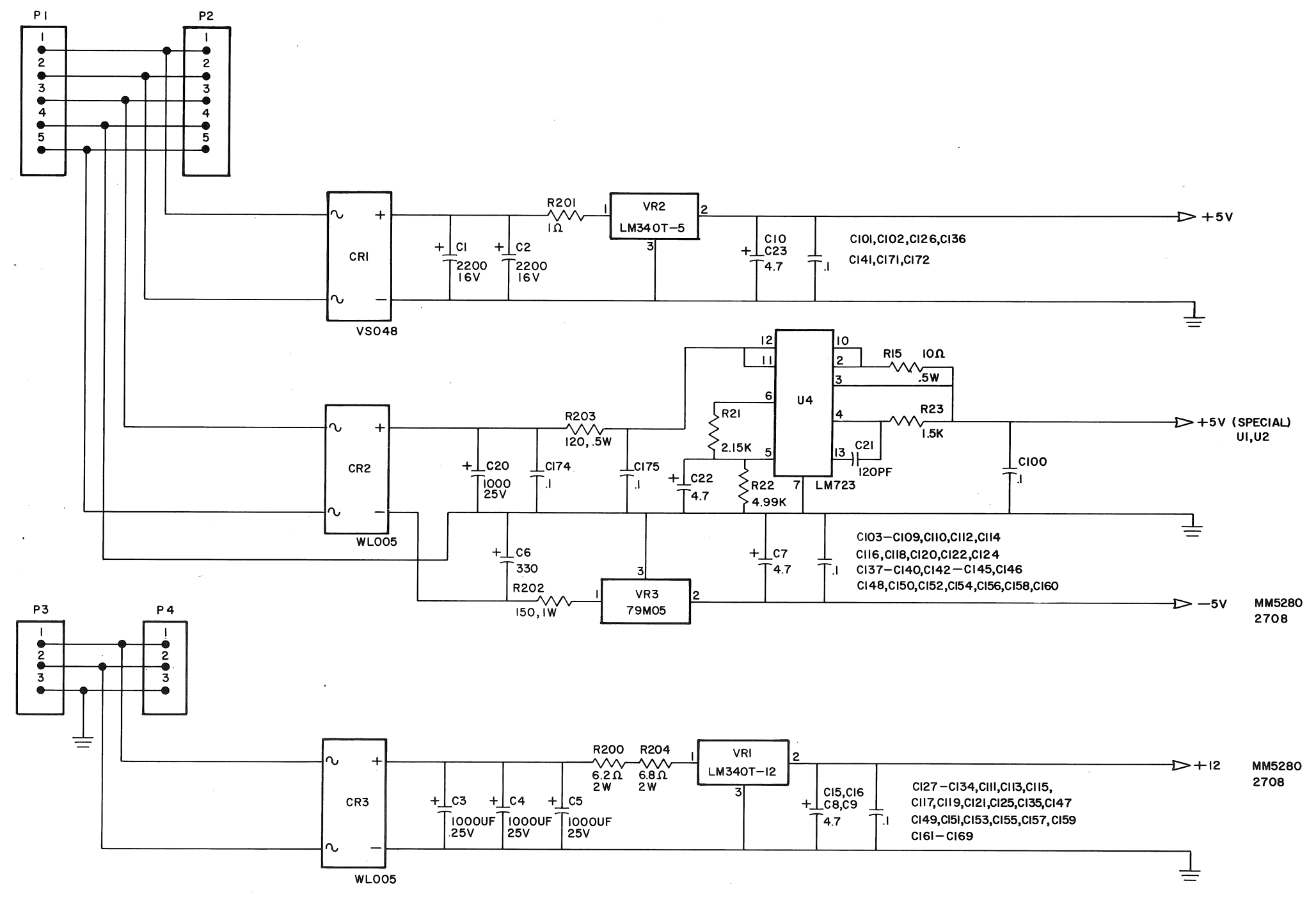
REVISIONS				
LTR	ZONE	DESCRIPTION	DATE	APPROVAL



(A) INSTALL FOR 50Hz FRAME

UNLESS SPECIFIED: RESISTANCE IN OHMS CAPACITANCE IN UF DIMENSIONS IN INCHES TOLERANCE ±		 SACRAMENTO, CA 95815	
NOTICE OF CONFIDENTIAL INFORMATION INFORMATION CONTAINED HEREIN IS CONFIDENTIAL AND IS THE PROPERTY OF DIGITAL ENGINEERING. WHERE FURNISHED TO A CUSTOMER IT SHALL BE USED SOLELY FOR THE PURPOSES OF INSPECTION, INSTALLATION OR MAINTENANCE. THE INFORMATION SHALL NOT BE USED OR DISCLOSED BY THE RECIPIENT FOR ANY OTHER PURPOSE WHATSOEVER.			
DRAWN	HR	4 MAR 80	LOGIC DIAGRAM SIZE: D DOCUMENT NUMBER: RG512-00036 REV. 1.4C
CHECKED			
APPROVED	T. J. C.	2/12/80	
ENGINEERED			
SHEET 8 OF 9			

REVISIONS				
LTR	ZONE	DESCRIPTION	DATE	APPROVAL



UNLESS SPECIFIED:
 RESISTANCE IN OHMS
 CAPACITANCE IN UF
 DIMENSIONS IN INCHES
 TOLERANCE ±

NOTICE OF CONFIDENTIAL INFORMATION
 INFORMATION CONTAINED HEREIN IS CONFIDENTIAL AND IS THE PROPERTY OF DIGITAL ENGINEERING. WHERE FURNISHED TO A CUSTOMER IT SHALL BE USED SOLELY FOR THE PURPOSES OF INSPECTION, INSTALLATION OR MAINTENANCE. THE INFORMATION SHALL NOT BE USED OR DISCLOSED BY THE RECIPIENT FOR ANY OTHER PURPOSE WHATSOEVER.

DIGITAL ENGINEERING
 INCORPORATED
 SACRAMENTO, CA 95815

APPROVALS	DATE	LOGIC DIAGRAM
DRAWN H.R.	10 MAR. 80	
CHECKED		
APPROVED T.J.C.	3/13/80	
ENGINEERED		SIZE D
DOCUMENT NUMBER R6512-00037		REV. I.4C
SHEET 9 OF 9		