

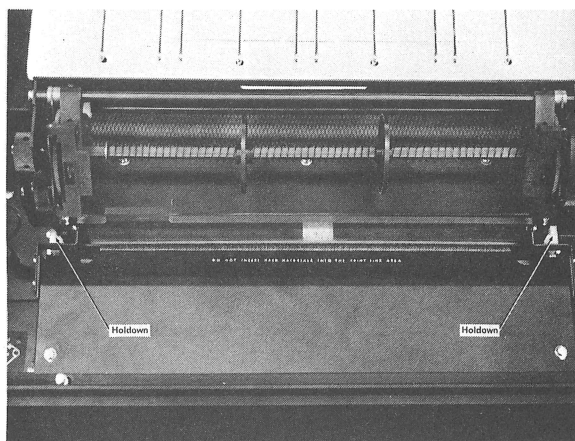
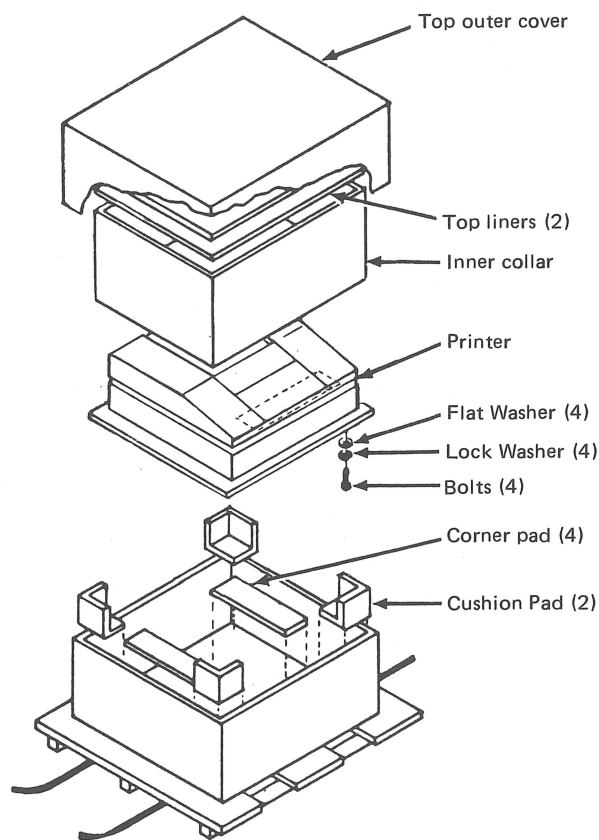
UNPACKING INFORMATION

The printer is packaged in a reusable shipping box that is designed specifically for protection of the unit during shipment. Retain this box and the associated parts for use in any future shipments of the printer.

If the shipping box shows any signs of damage when received, notify the carrier for advice before unpacking the printer. To unpack the printer see the illustration below and proceed as follows:

1. Remove the two steel bands securing the shipping box to the pallet.
2. Remove the top outer cover, top liners and inner collar.
3. Remove the manual(s) and plastic sack of accessories from the shipping box.

4. Remove the printer from the box.
5. Remove the four bolts securing the printer to the plywood baseboard.
6. Place the printer on a stand.
7. Raise the top cover and remove the tape from the formscale.
8. Using the hex wrench provided in the plastic sack of accessories remove the two shipping screws and yellow plastic holdowns from the print mechanism. The holddown locations are shown in the photograph below.
9. See that no circuit board connections have been lost.
10. Install a ribbon in the printer according to the instructions in the Operator's Manual.
11. Follow the instructions in the Operator's Manual for printer operation.



PRINTER CONFIGURATION RECORD

SERIAL NUMBER 75 V05106

SALES ORDER NUMBER 15203

ITEM	PART NO.	REV.	COMMENTS
GENERAL ASSY.	602652-3	AL	
CARD CAGE	604323-4	G	
SWITCH CIRCUIT BOARD	603465-3	C	
BACK PANEL CABLE ASSY.	602704-4	Z	
PRINT MECHANISM	602651-1	Y	S/N 1074A
LEFT RIBBON DRIVE	602644-3	U	
RIGHT RIBBON DRIVE	602644-1	U	
PAPER DRIVE MOTOR	603984-1	E	
PAPER DRIVE SHAFT & GEAR	603983-1	C	
GEAR AND PINWHEEL	603480-2	G	
VFU ASSY.	603769-3	F	
VFU MODULE	603424-3	N	
FAN HOUSING	604546-1	B	
CURRENT SENSOR	604181-2	C	
CAPACITOR BANK	604157-2	H	
COLOR OPTION	604422-3	B	
CONTROL TRANSFORMER	604151-1	B	
LOGIC TRANSFORMER	604152-1	H	
HAMMER TRANSFORMER	604153-1	E	
MOGATOR MOTOR	603624-2	G	
ROM OPTION	604356-1	A	
BUFFER ROM CIRCUIT BOARD	604357-1	B	
CONTROL CIRCUIT BOARD	603818-1	P	
HAMMER LATCH CIRCUIT BOARD	603820-1	H	
HAMMER/MOTOR DRIVER ASSY.	604147-1	A	
HAMMER DRIVER CIRCUIT BOARD	602700-2	K	
HAMMER DRIVER MEM CIRCUIT BOARD			
MOTOR DRIVER CIRCUIT BOARD	603528-2	J	
POWER SUPPLY CIRCUIT BOARD	604082-1	N	100-120-230V 50-60 HZ
INTERFACE CIRCUIT BOARD			TITLE:
INTERFACE CIRCUIT BOARD			TITLE:
EXTERNAL CABLE			
BASIC MANUAL			CUSTOMER NAME
OPERATORS MANUAL			WARRANTY CODE
INTERFACE MANUAL			SHIPPING DATE
INTERFACE MANUAL			

MD