

V60

Vis 65

INDEX

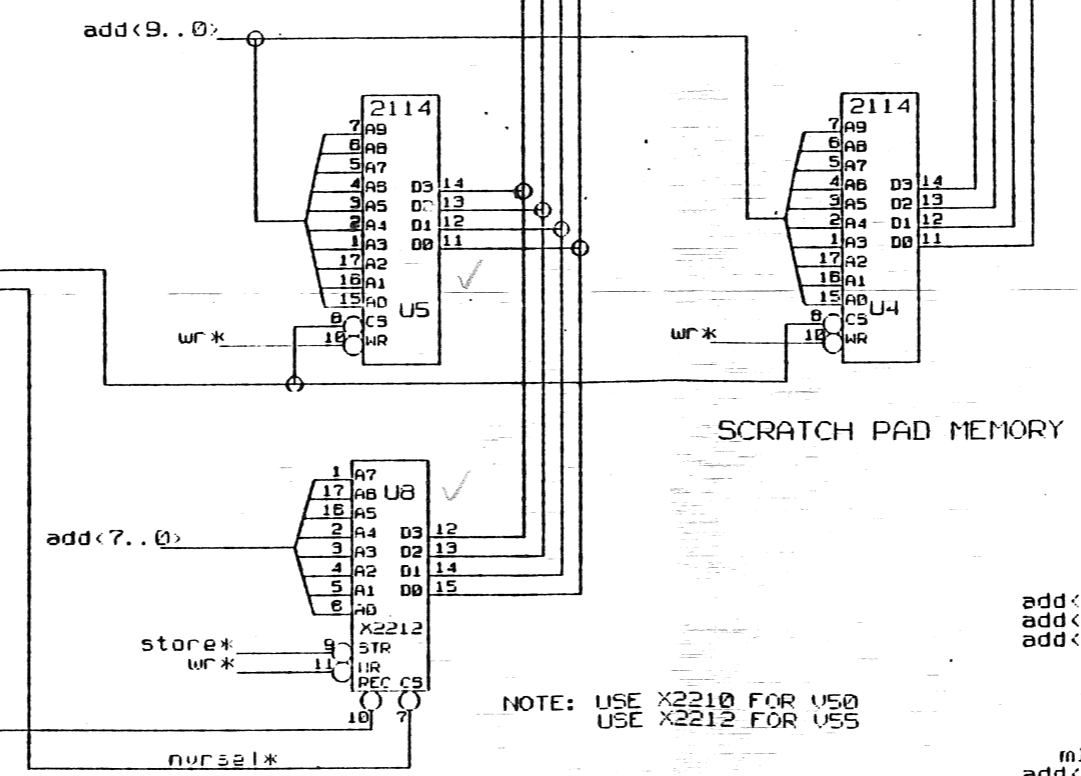
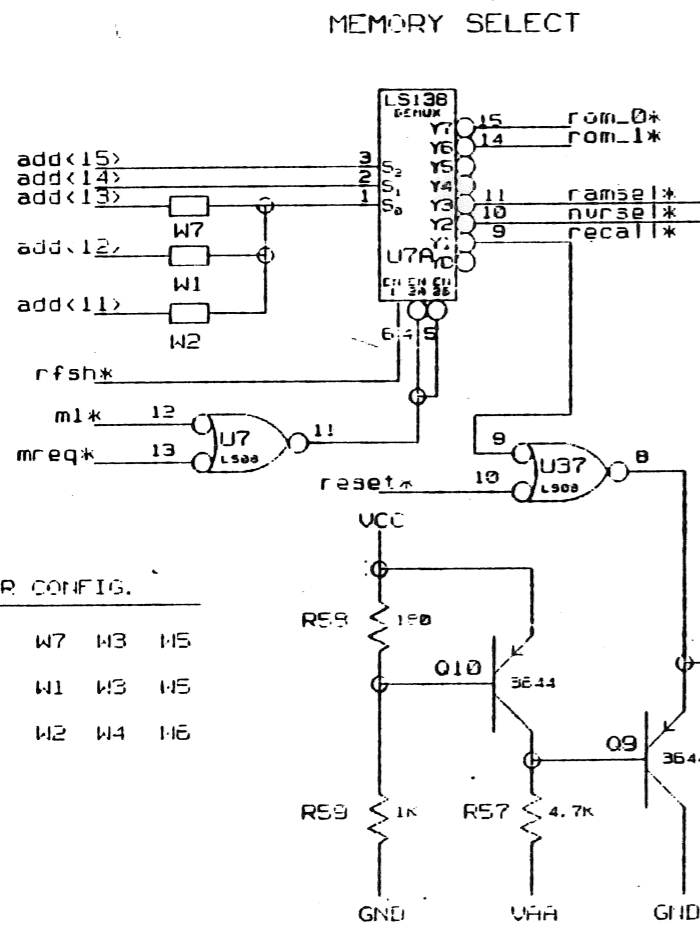
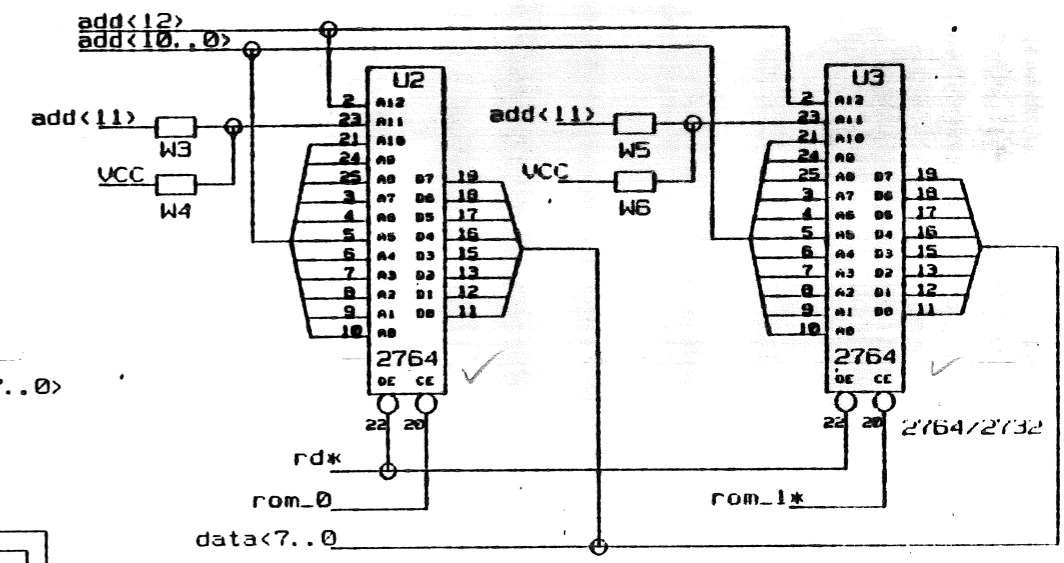
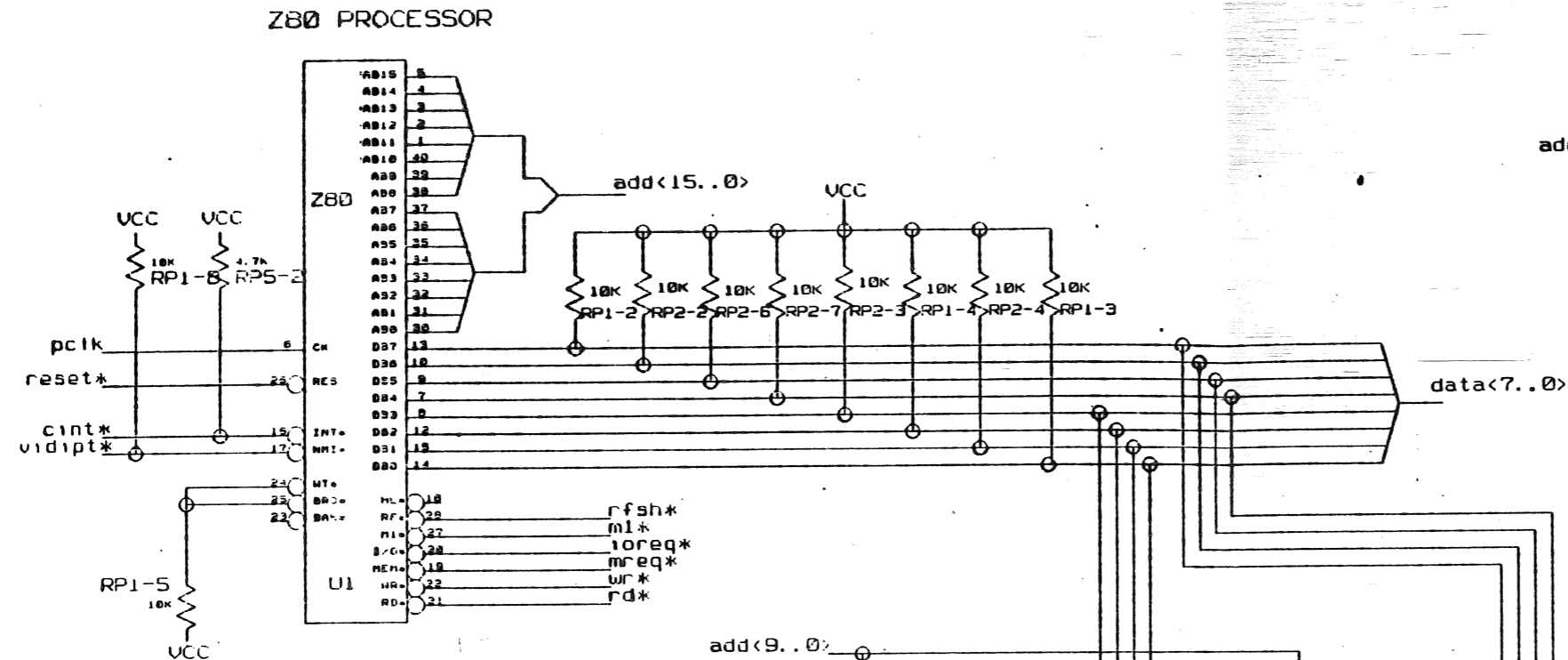
SHEET 2	PROCESSOR AND SELECTS
SHEET 3	VIDEO TIMING
SHEET 4	VIDEO OUTPUT
SHEET 5	REGISTERS AND CLOCK CIRCUITRY
SHEET 6	MODEM PORT AND KEYBOARD
SHEET 7	AUX PORT AND OPTIONAL CURRENT LOOP
SHEET 8	FILTER CAPS AND POWER CONNECTOR

This document contains information proprietary to VISUAL and is not to be used or reproduced without express written permission of a duly authorized representative of VISUAL TECHNOLOGY INCORPORATED.

DEF LINE
X_FIRST=0
X_STEP=SIZE

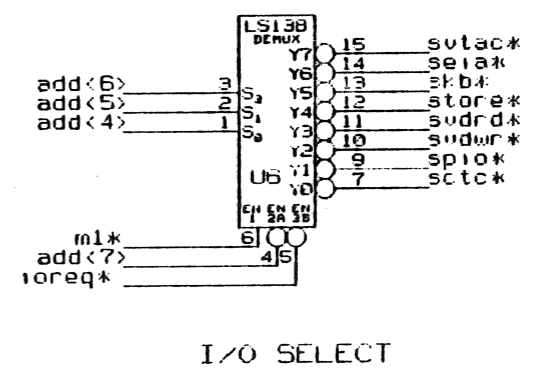
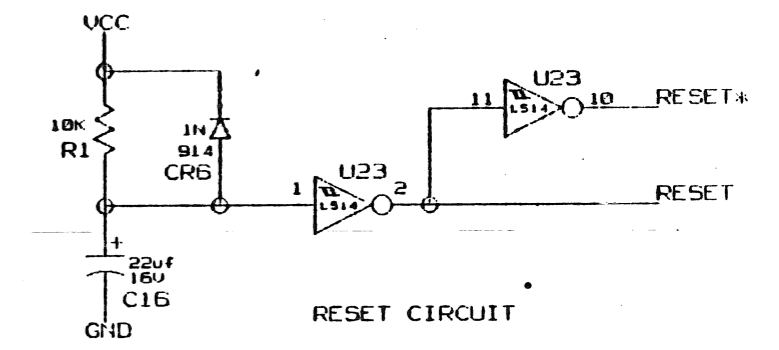
DRAWING
TITLE=V60
ABBREV=V60
LAST_MODIFIED=Tue Mar 20 09:51:39 1984

Figure C-5 (Sheet 1 of 8)
Main Logic Board (V60/V65)
Schematic Diagram
PS034-001 Rev. AD



JUMPER CONFIG.

2764	W7	W3	W5
2732	W1	W3	W5
2716	W2	W4	W6



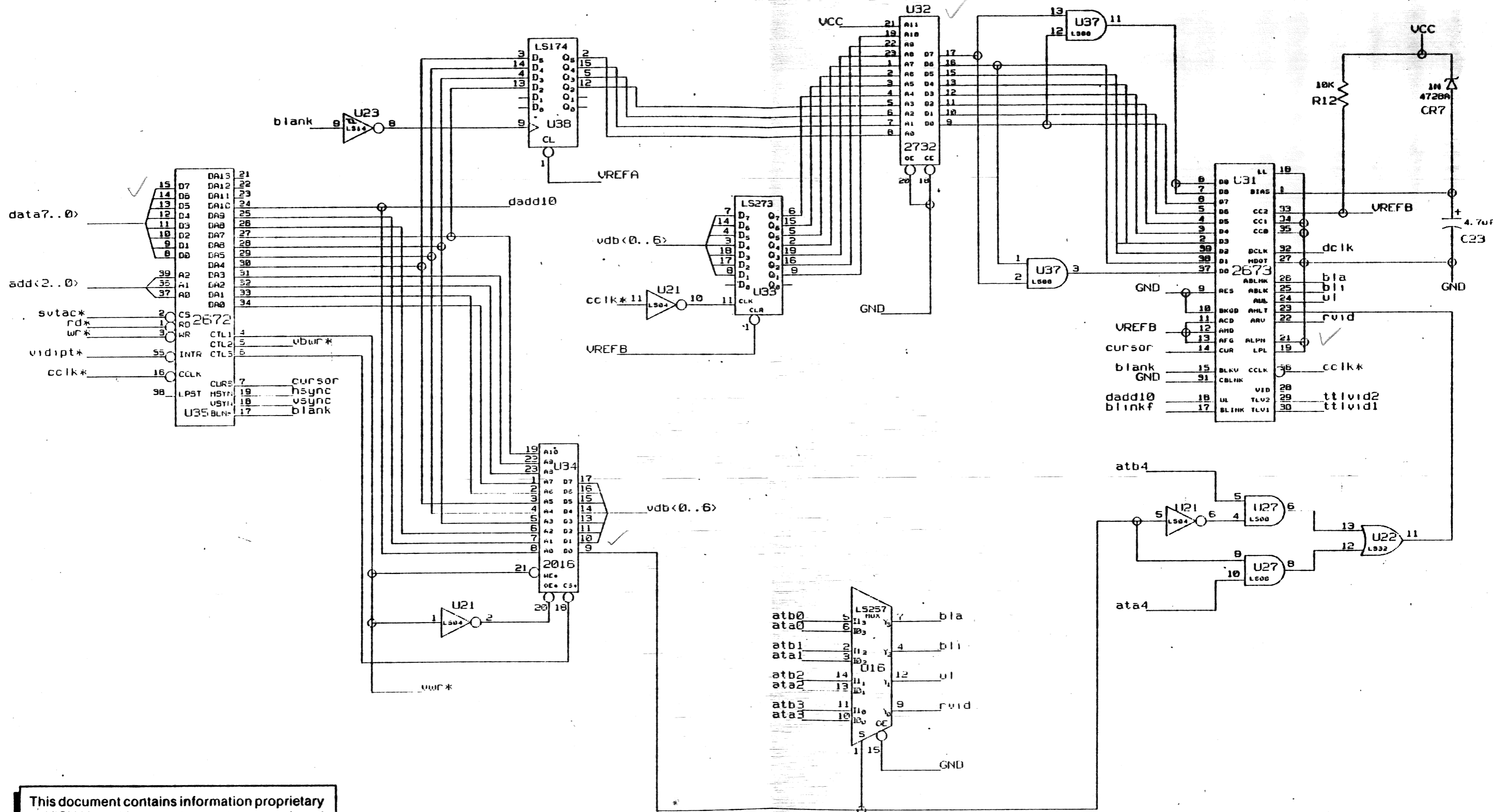
NOTE: USE X2210 FOR U50
USE X2212 FOR U55

NON-VOLATILE MEMORY

This document contains information proprietary to VISUAL and is not to be used or reproduced without express written permission of a duly authorized representative of VISUAL TECHNOLOGY INCORPORATED.

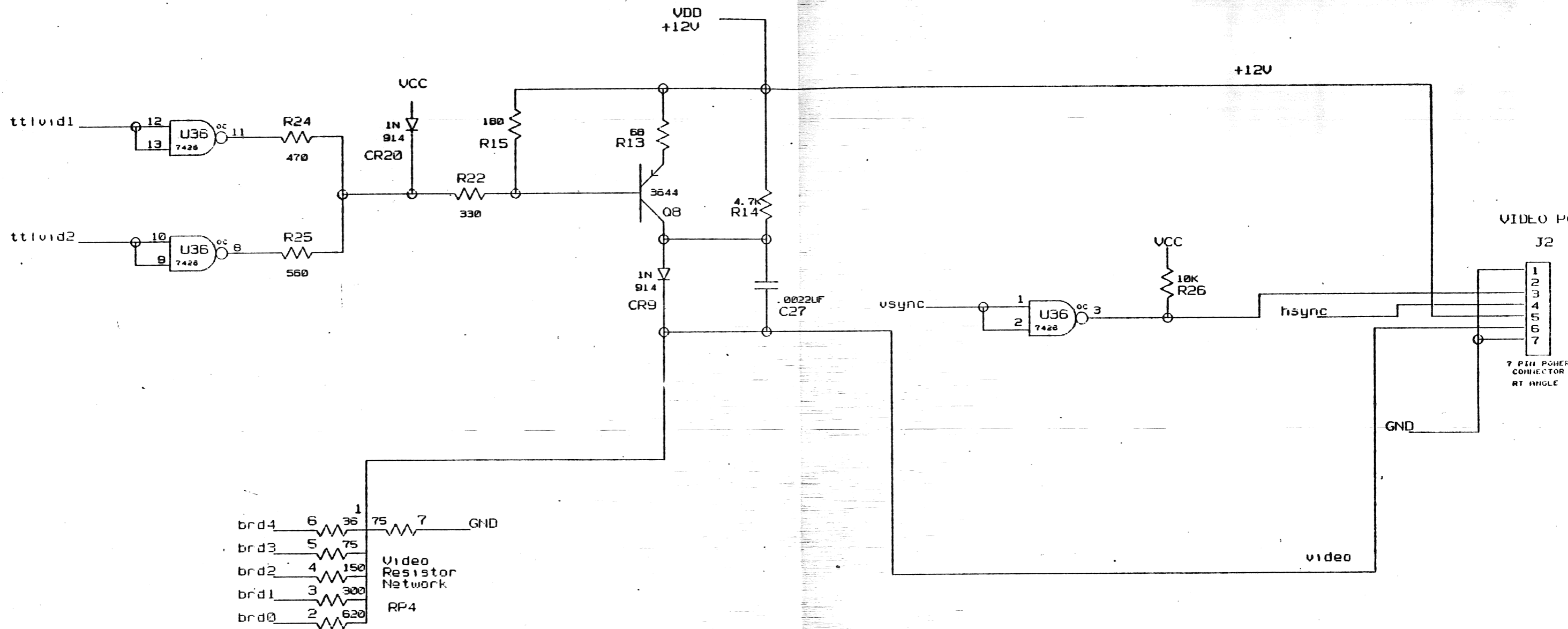
Figure C-5 (Sheet 2 of 8)
Main Logic Board (V60/V65)
Schematic Diagram
PS034-001 Rev. AD

NOTE: ON 2732 (PIN 12 SHOULD BE 13, AND 13 SHOULD BE 14. LIBRARY IS WRONG. 2732 HERE SHOULD BE A 2716 (NOT IN LIB))



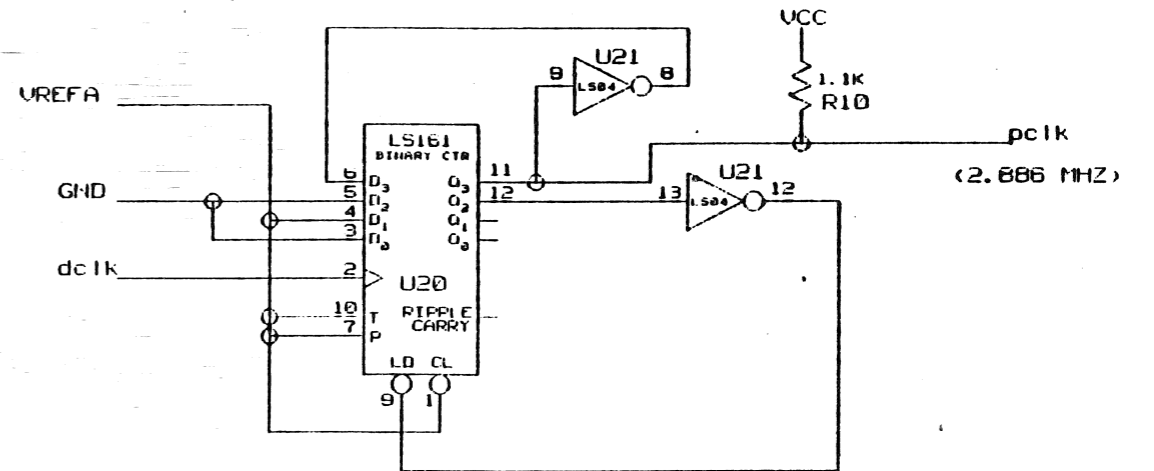
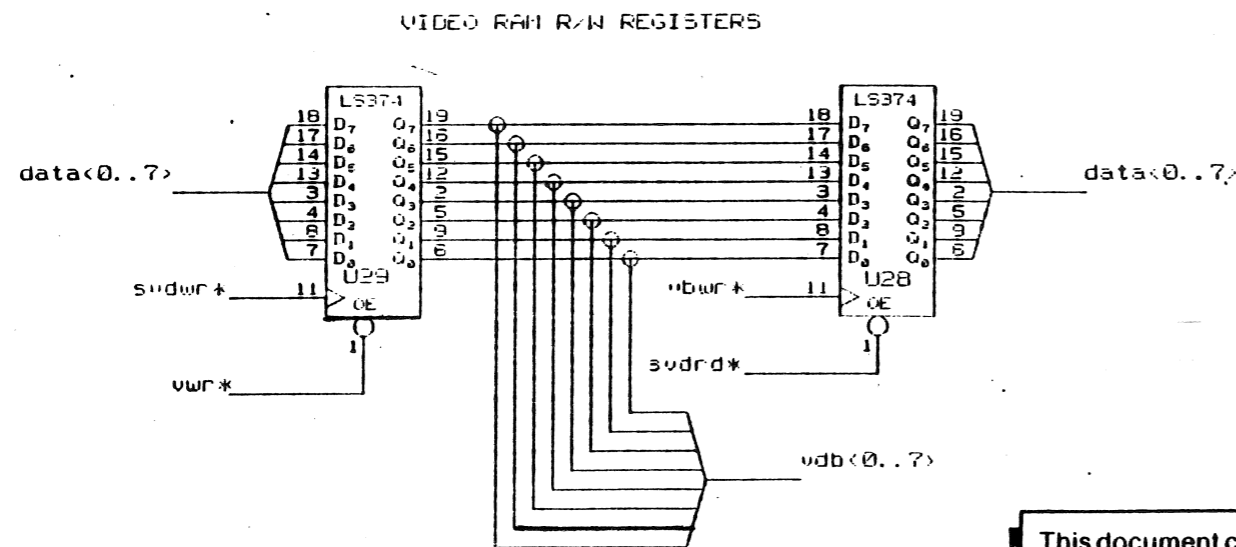
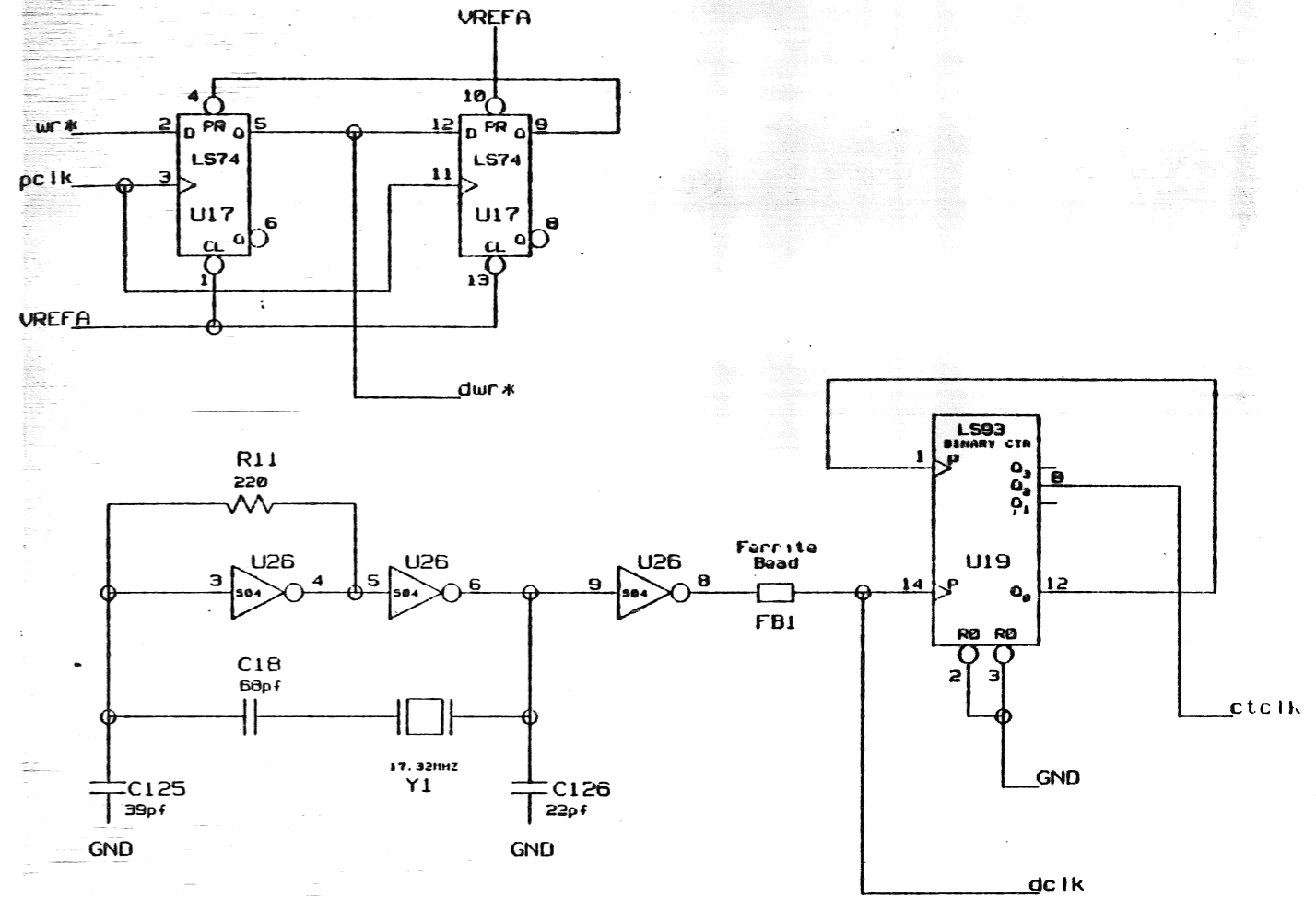
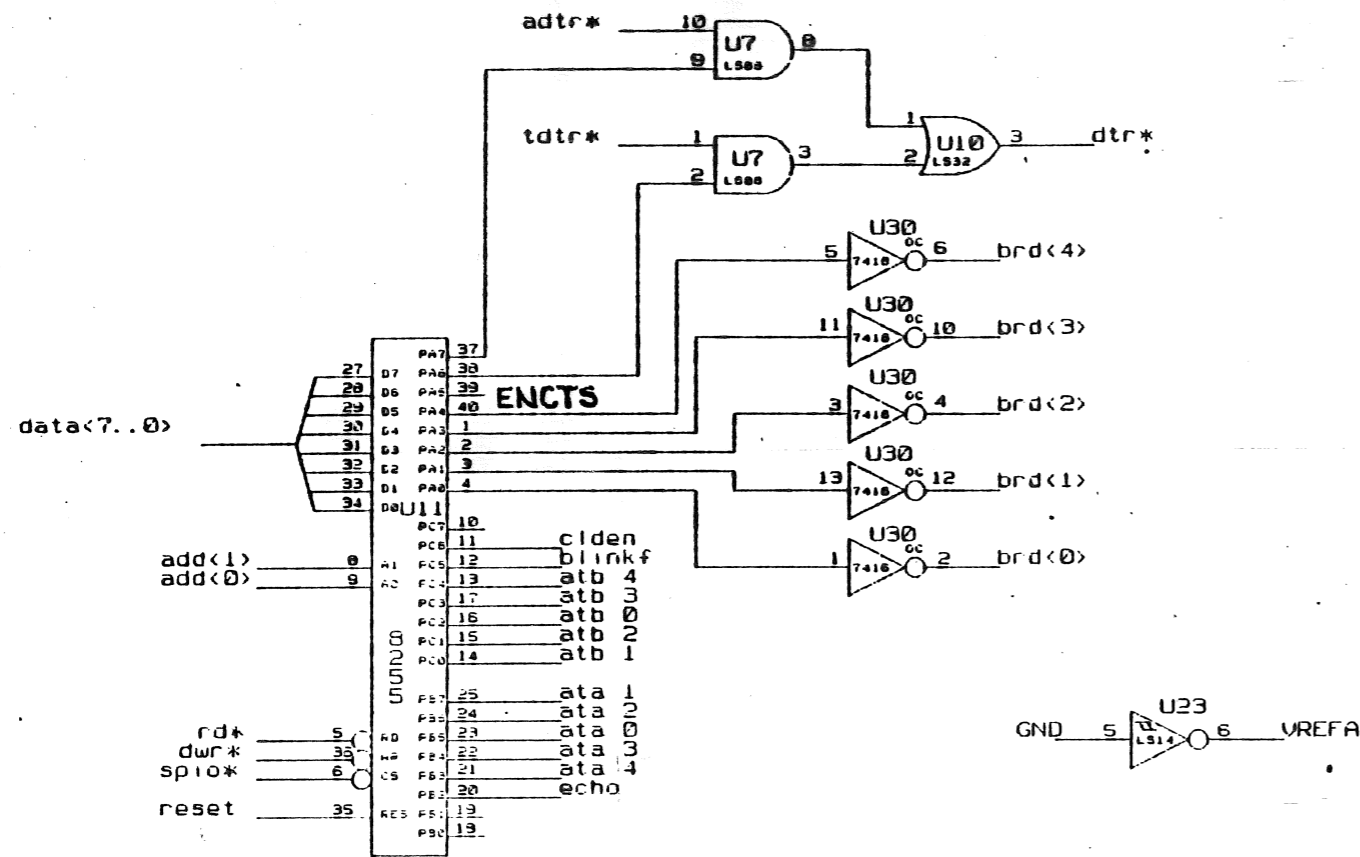
This document contains information proprietary to VISUAL and is not to be used or reproduced without express written permission of a duly authorized representative of VISUAL TECHNOLOGY INCORPORATED.

Figure C-5 (Sheet 3 of 8)
Main Logic Board (V60/V65)
Schematic Diagram
PS034-001 Rev. AD



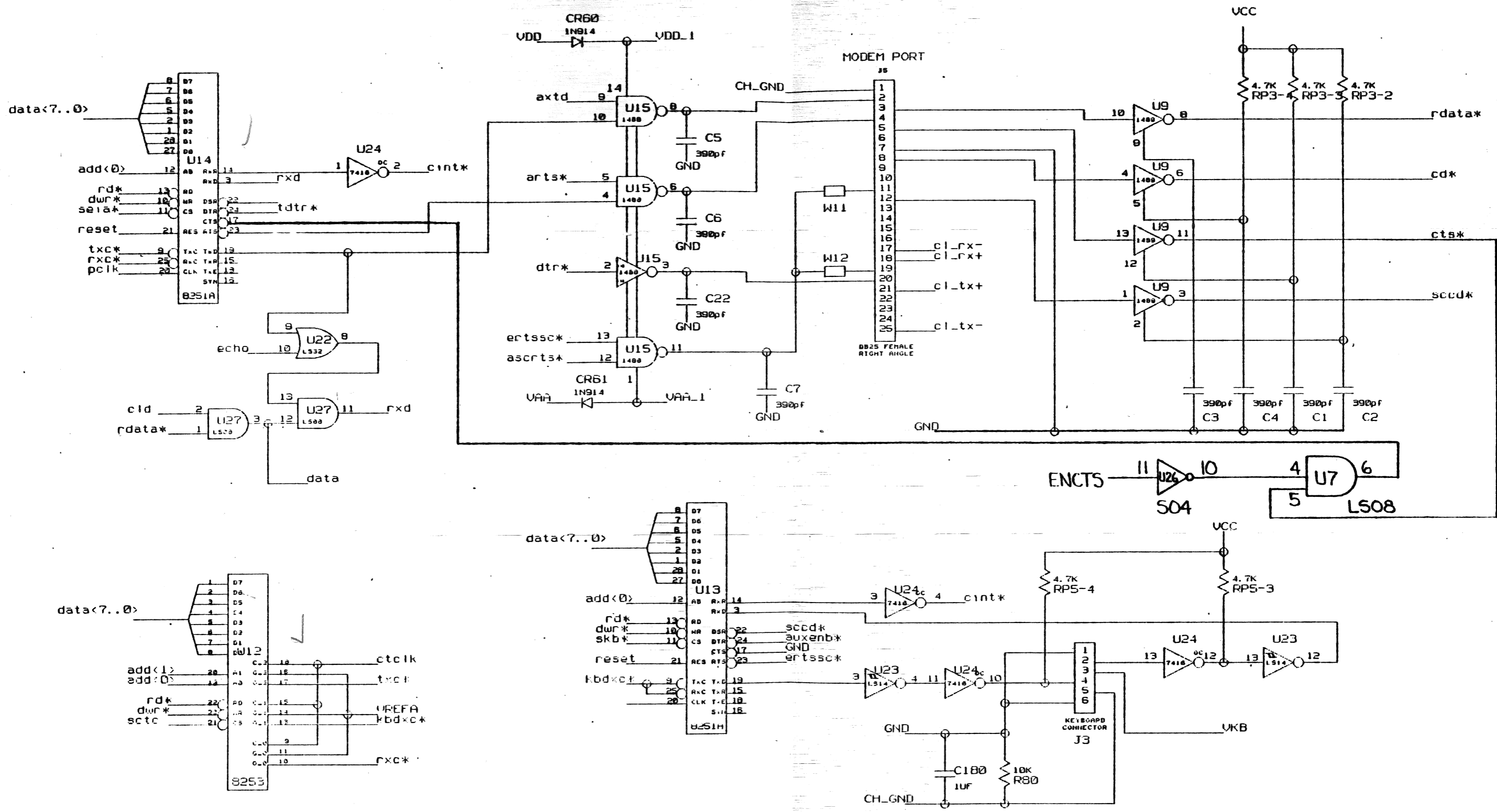
This document contains information proprietary to VISUAL and is not to be used or reproduced without express written permission of a duly authorized representative of VISUAL TECHNOLOGY INCORPORATED.

Figure C-5 (Sheet 4 of 8)
 Main Logic Board (V60/V65)
 Schematic Diagram
 PS034-001 Rev. AD



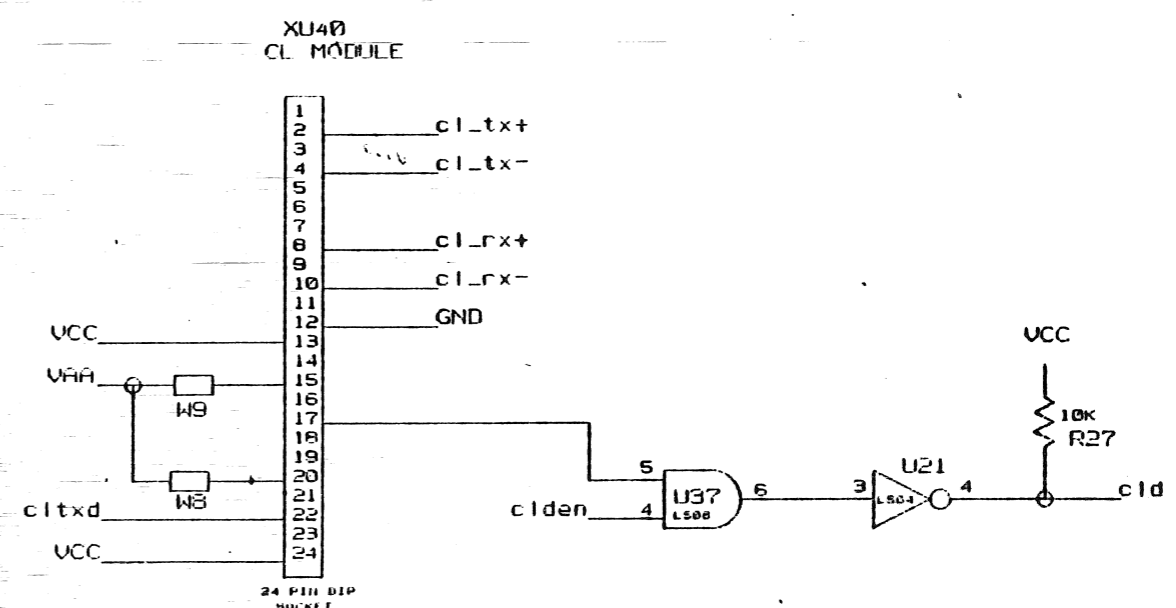
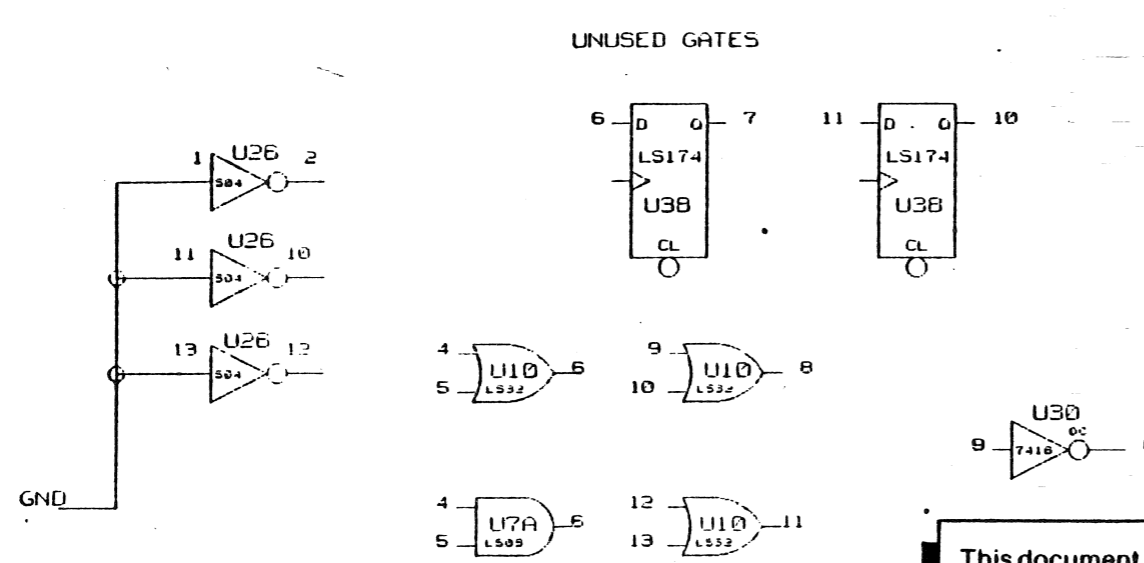
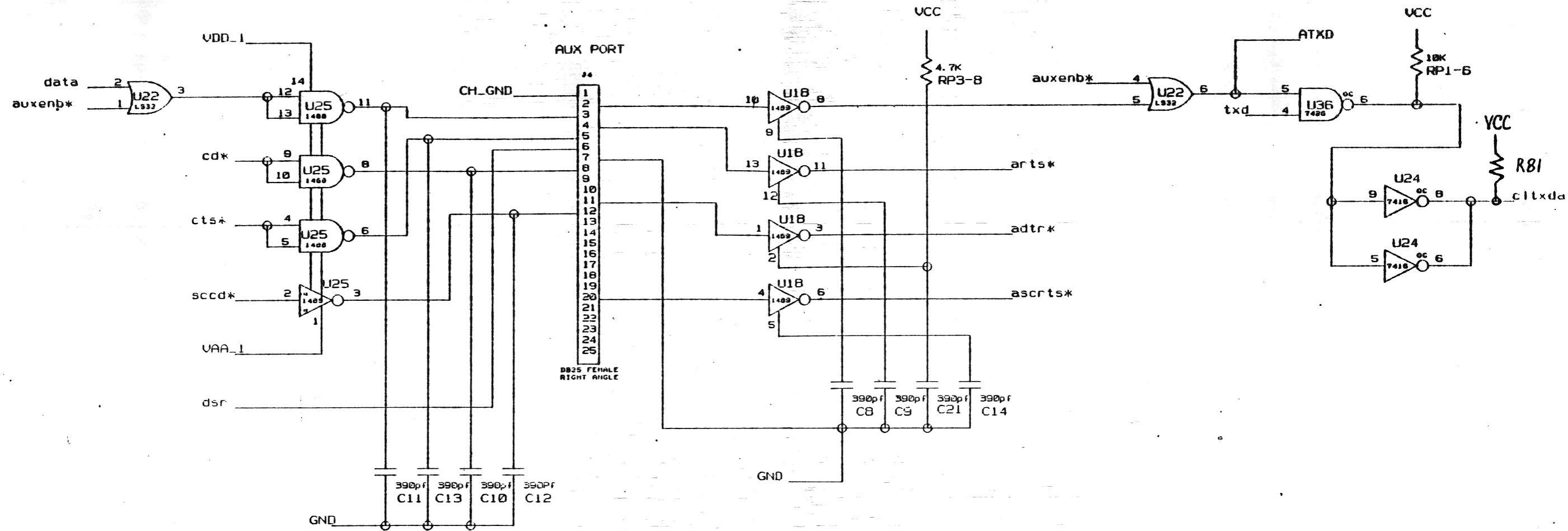
This document contains information proprietary to VISUAL and is not to be used or reproduced without express written permission of a duly authorized representative of VISUAL TECHNOLOGY INCORPORATED.

Figure C-5 (Sheet 5 of 8)
Main Logic Board (V60/V65)
Schematic Diagram
PS034-001 Rev. AD



This document contains information proprietary to VISUAL and is not to be used or reproduced without express written permission of a duly authorized representative of VISUAL TECHNOLOGY INCORPORATED.

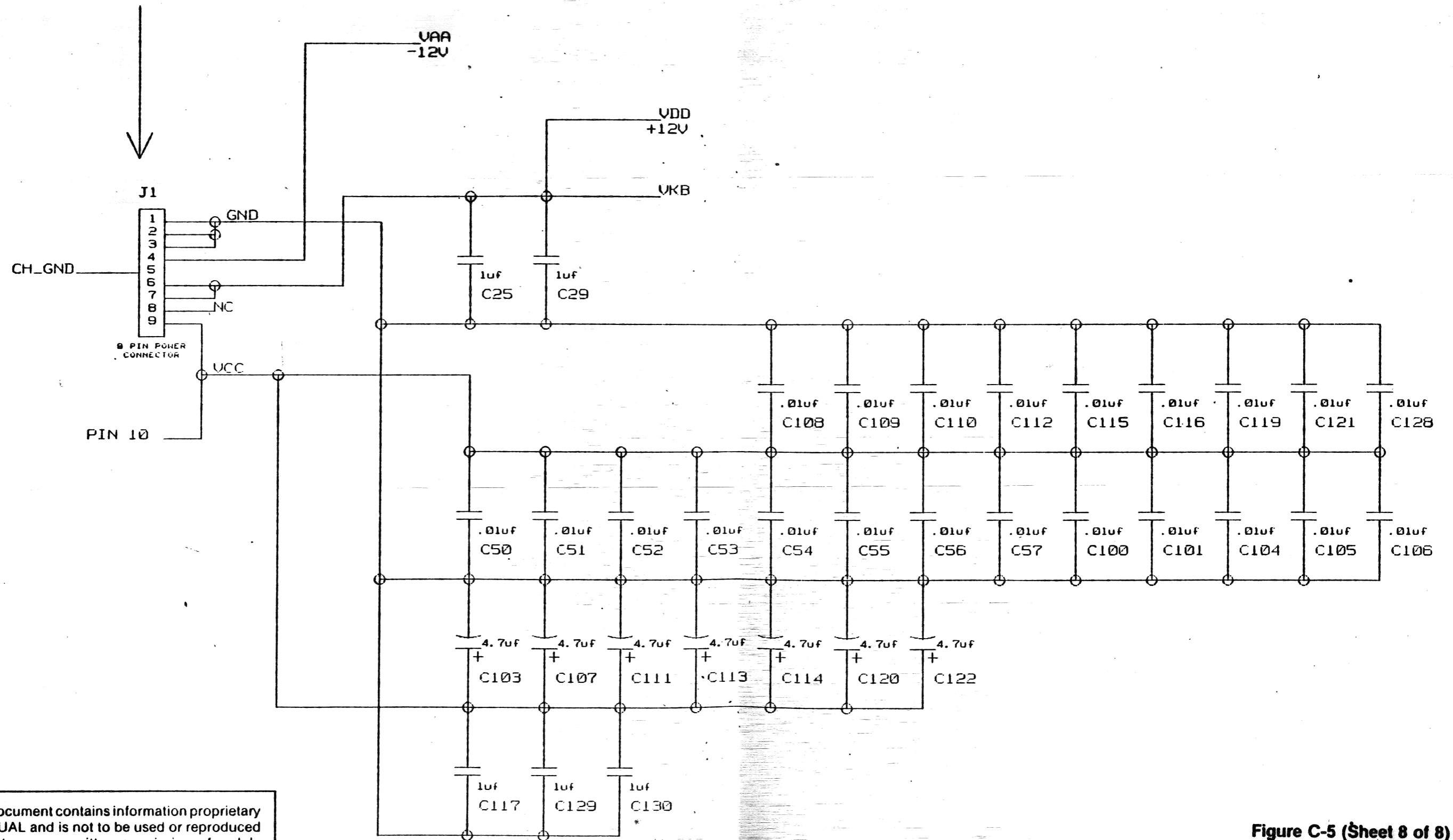
Figure C-5 (Sheet 6 of 8)
Main Logic Board (V60/V65)
Schematic Diagram
PS034-001 Rev. AD



This document contains information proprietary to VISUAL and is not to be used or reproduced without express written permission of a duly authorized representative of VISUAL TECHNOLOGY INCORPORATED.

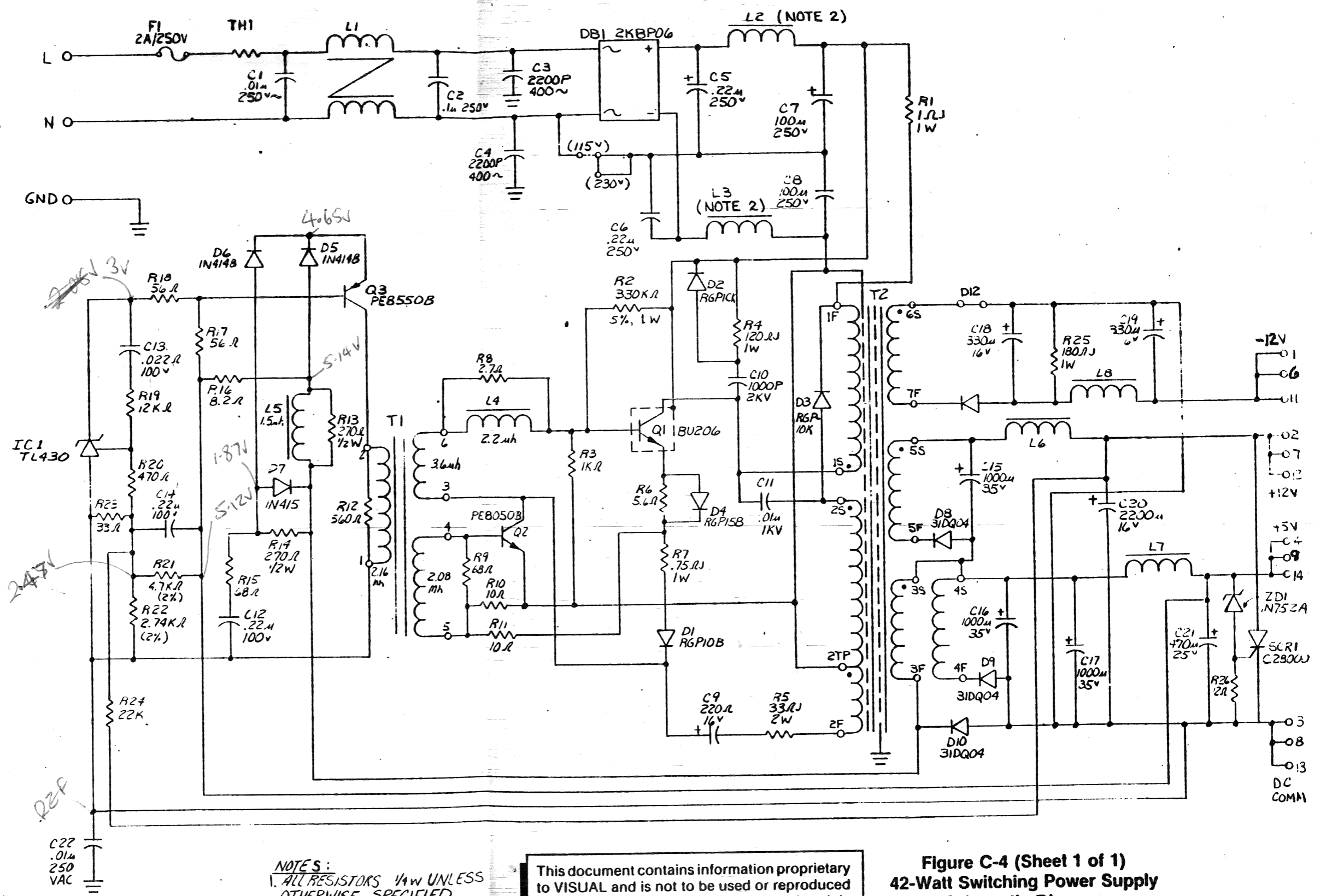
Figure C-5 (Sheet 7 of 8)
Main Logic Board (V60/V65)
Schematic Diagram
PS034-001 Rev. AD

NOTE: NEED 10 PIN POWER CONNECTOR



This document contains information proprietary to VISUAL and is not to be used or reproduced without express written permission of a duly authorized representative of VISUAL TECHNOLOGY INCORPORATED.

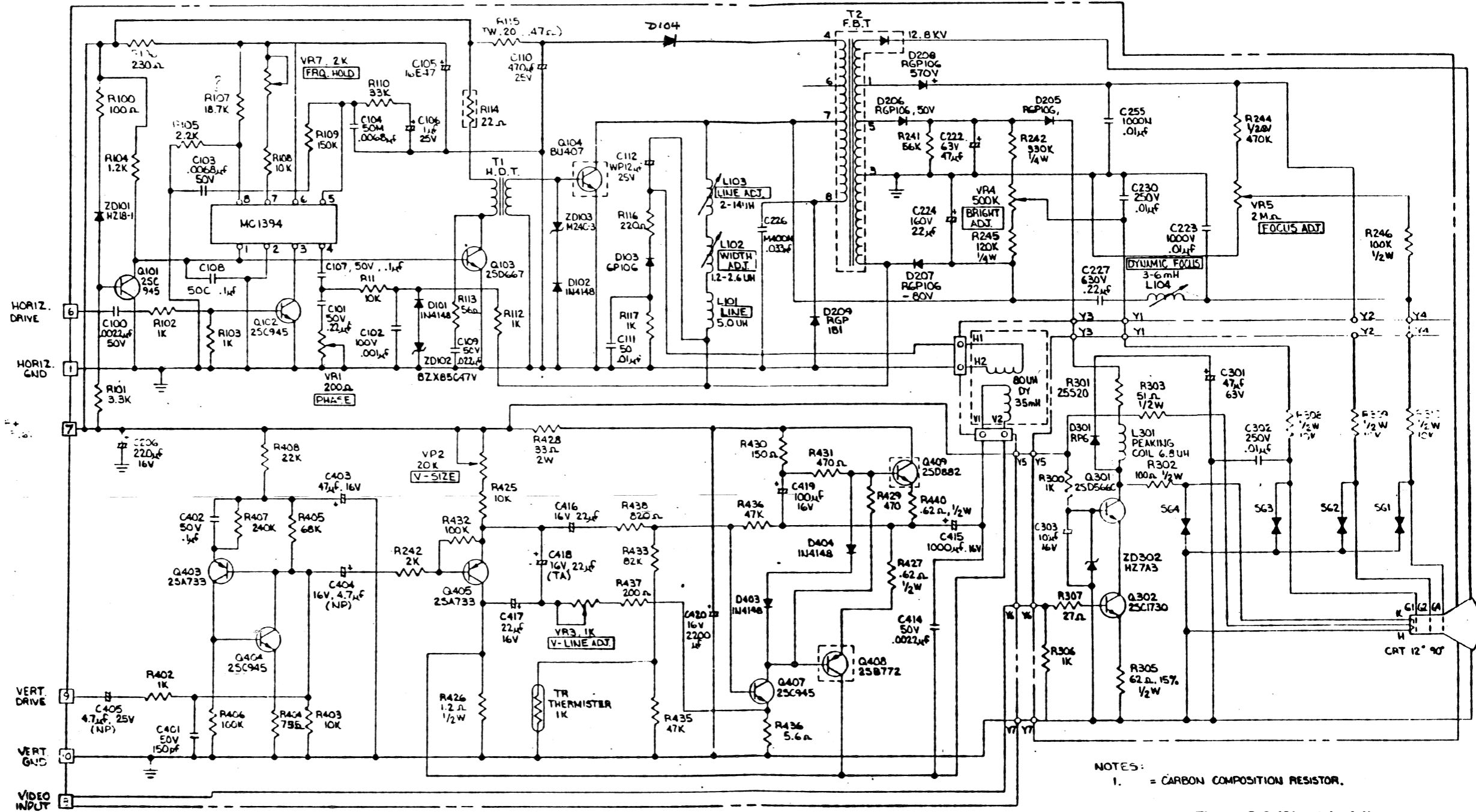
Figure C-5 (Sheet 8 of 8)
Main Logic Board (V60/V65)
Schematic Diagram
PS034-001 Rev. AD



- NOTES:**
1. ALL RESISTORS 1/4W UNLESS OTHERWISE SPECIFIED.
 2. L2 & L3 MUST HAVE TOROID CORES FOR V60/V65.

This document contains information proprietary to VISUAL and is not to be used or reproduced without express written permission of a duly authorized representative of VISUAL TECHNOLOGY INCORPORATED.

Figure C-4 (Sheet 1 of 1)
42-Watt Switching Power Supply
Schematic Diagram
PS022-001 Rev. A



NOTES:
 1. = CARBON COMPOSITION RESISTOR.

Figure C-3 (Sheet 1 of 1)
 TV Monitor Schematic Diagram
 MN403-010 Rev. A

This document contains information proprietary to VISUAL and is not to be used or reproduced without express written permission of a duly authorized representative of VISUAL TECHNOLOGY INCORPORATED.

Q103 2N3019 will do